

Section: ENGINE

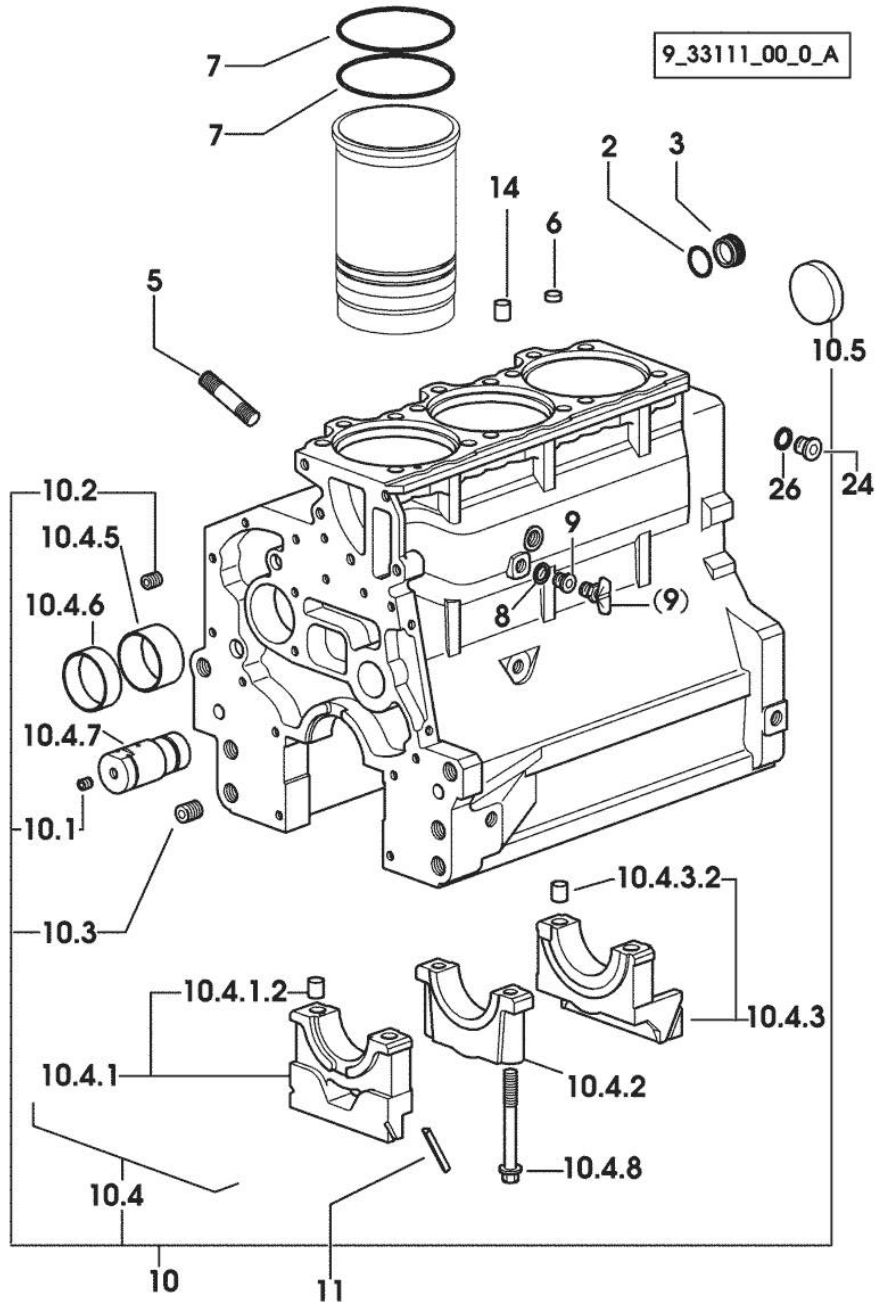
ENGINE BEARING

Fig.	P/n	QTY	Name
------	-----	-----	------

Notes:

[660-s AGILE]

2	2.1539.047.0	1	special oil seal 26.7x1.78
3	2.3199.405.2	1	plug m 28 p.1.5
5	2.0432.003.7	9	stud bolt m 8 p.1.25 / p.1 x 20
6	2.1559.188.2	3	bush 11.4 x 14 x16
7	2.1519.096.0/20	9	special oil seal 107.67x1.78 2778 <= X 660-s AGILE 1121 <= X 770-s AGILE
7	2.1539.193.0	6	special oil seal 107.62x2.62 => 2779 X 660-s AGILE => 1122 X 770-s AGILE
8	2.1560.010.0	1	gasket 14.2 x 20
9	0.049.1152.0	1	cock 1067 <- X 660-s AGILE 1071 <- X 770-s AGILE
9	2.3199.292.0	1	plug 1/4" gas -> 1068 X 660-s AGILE -> 1072 X 770-s AGILE
10	0.070.1110.6/20	1	crankcase
10.1	2.3130.001.1	9	plug 1/8" gas
10.2	2.3130.002.1	2	plug 1/4" gas
10.3	2.3130.003.1	2	plug 3/8" gas
10.4	0.000.0000.1		cannot be supplied
10.4.1	0.065.1112.7	1	support
10.4.1.2	2.1699.165.0	1	bush 12.3x15x16
10.4.2	0.065.1114.0/10	2	support
10.4.3	0.065.1116.3	1	support
10.4.3.2	2.1699.165.0	1	bush 12.3x15x16
10.4.5	0.065.1140.0	3	special bushing 59X55X20
10.4.6	0.065.1141.0	1	special bushing 59X55X30
10.4.7	0.066.1151.0	1	pin
10.4.8	0.065.1117.0	8	screw m 12 x 100
10.5	2.3179.012.0	1	plug 60
11	0.066.1152.0/10	4	gasket
14	2.1549.154.2	3	bush 4.8x5.8x16
24	2.3120.101.0	1	plug m 18 p.1.5
26	2.1560.014.0	1	washer 18.2 x 24



9_33111_00_0_B

660-s AGILE

Ref: 01.00.7

Section: ENGINE
TIMING CASE

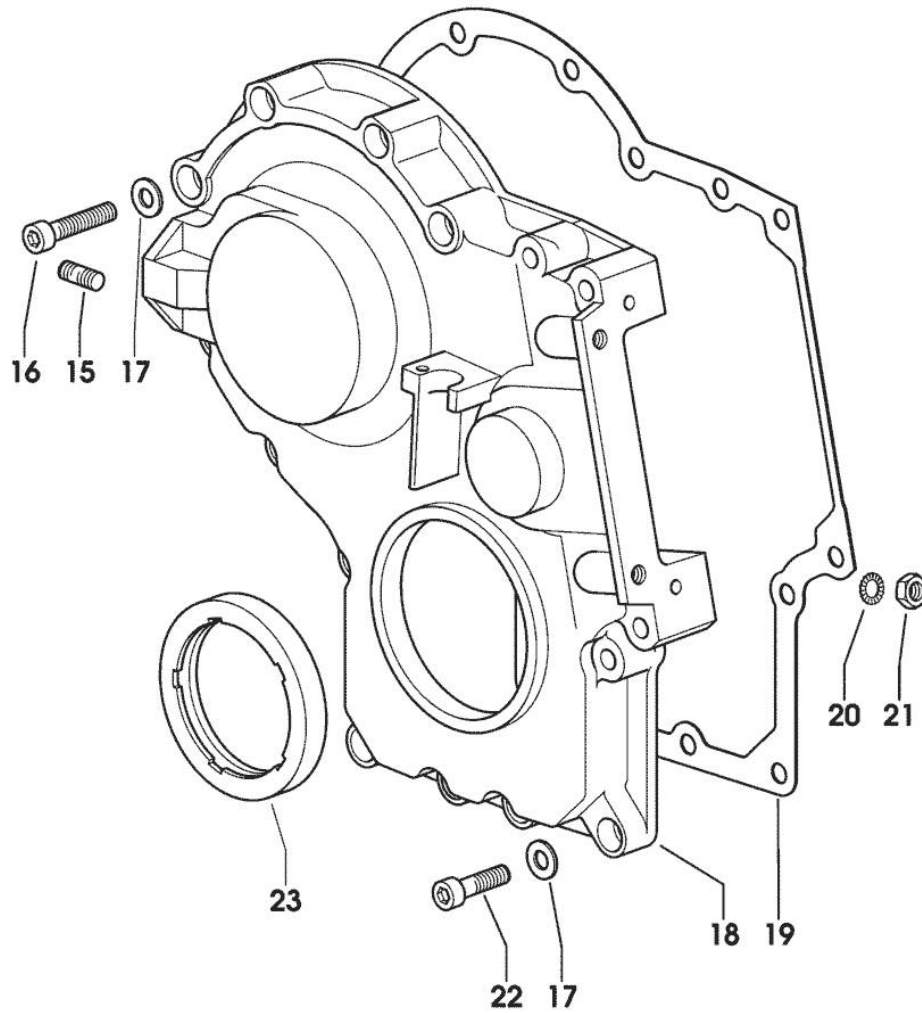


Fig.	P/n	QTY	Name
------	-----	-----	------

Notes:

[660-s AGILE]

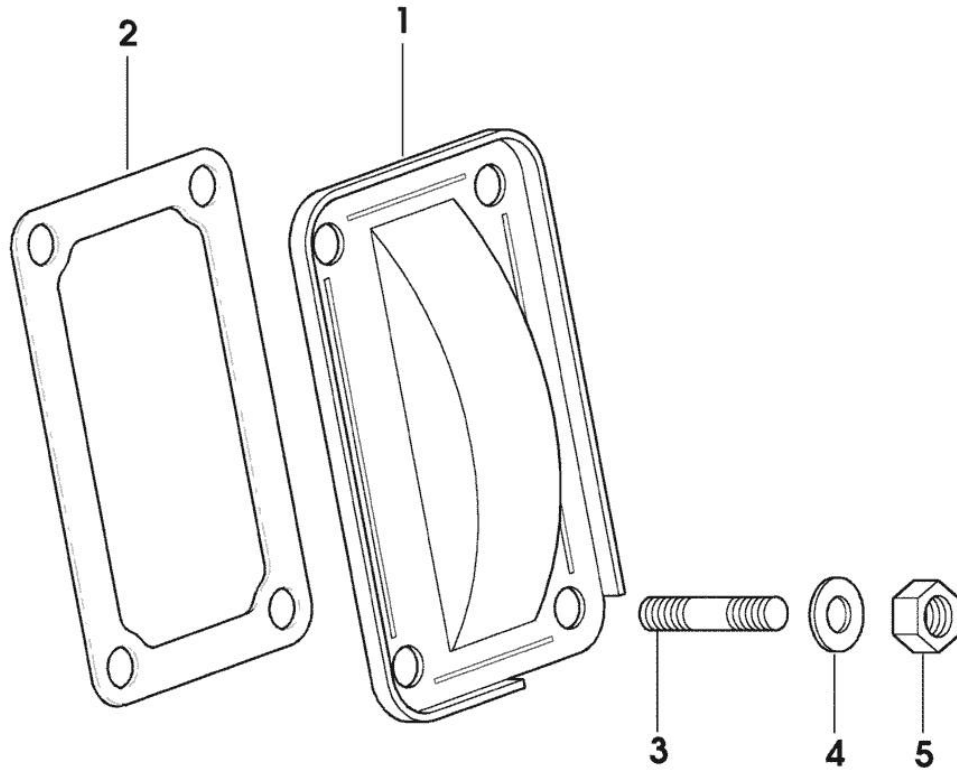
15	2.0432.003.7	2	stud bolt m 8 p.1.25 / p.1 x 20
16	2.0312.214.2	7	screw m 8 p.1.25 x 40
17	2.1480.014.1	15	washer 8
18	0.013.4981.0	1	guard -> 1137 X 660-s AGILE -> 1158 X 770-s AGILE
18	0.065.1132.0/50	1	guard 1136 <- X 660-s AGILE 1157 <- X 770-s AGILE
19	0.065.1150.0/30	1	gasket
20	2.1470.004.2	4	lock washer 8
21	2.1011.405.2	2	nut m 8 p.1
22	2.0312.208.2	8	screw m 8 p.1.25 x 25
23	2.1529.141.0	1	special oil seal

Section: ENGINE
CASING COVER

Fig.	P/n	QTY	Name
------	-----	-----	------

Notes:

[660-s AGILE]



1	0.065.1151.0	1	cover
2	0.065.1152.0	1	gasket
3	2.0432.005.7	4	stud bolt m 8 p.1.5 / p.1 x 25
4	2.1310.004.2	4	flat washer 8.4x17
5	2.1011.405.2	4	nut m 8 p.1

9_33811_04_0_0

Section: ENGINE

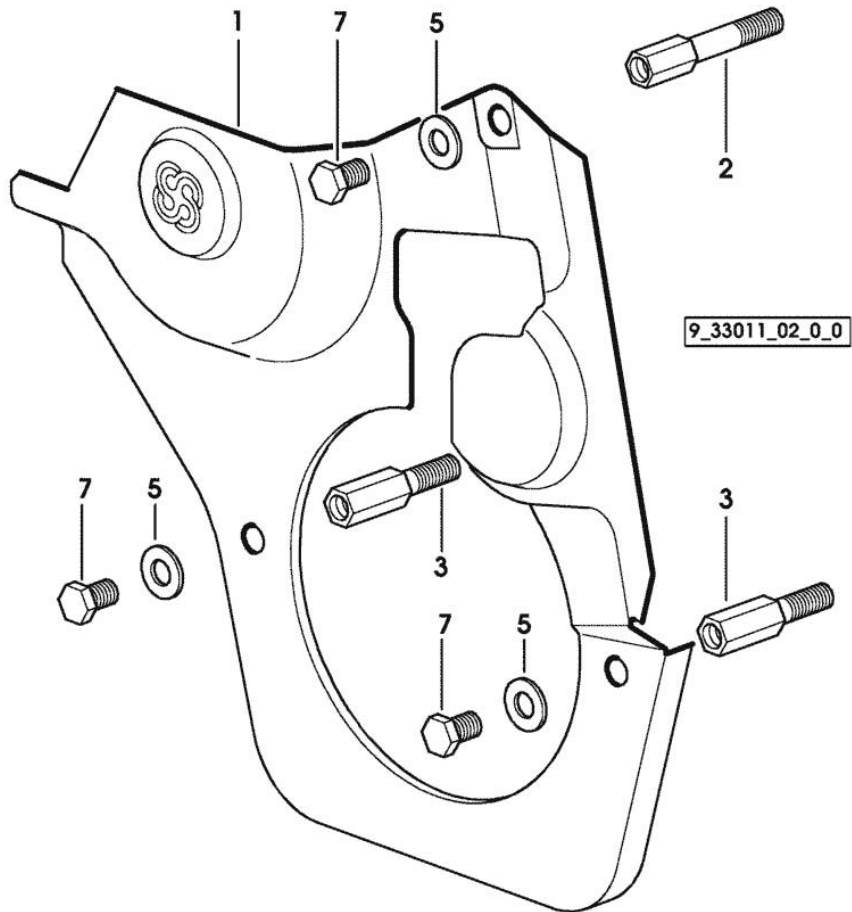
GUARD PLATE

Fig.	P/n	QTY	Name
------	-----	-----	------

Notes:

[660-s AGILE]

1	0.007.1262.3/50	1	guard
2	0.007.1271.0/10	1	small column m 8 p.1.25 / L = mm 60
3	0.007.1272.0/10	2	small column m 8 p.1.25 / L = mm 50
5	2.1310.004.2	3	flat washer 8.4x17
7	2.0112.203.2	3	screw m 8 p.1.25 x 12



Section: ENGINE

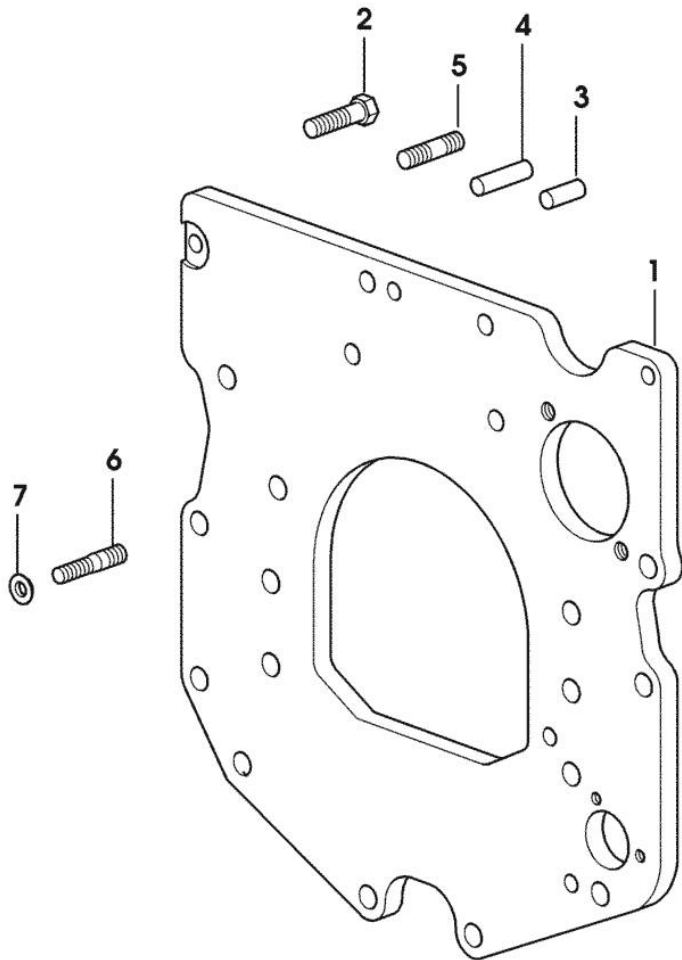
MONOBLOC ENGINE-GEARBOX CONNECTING FLANGE

Fig.	P/n	QTY	Name
------	-----	-----	------

Notes:

[660-s AGILE]

1	0.007.1882.0/50	1	flange
2	2.0112.511.2	8	screw m 14 p.2 x 30
3	2.1651.912.0	2	cylindrical plug 12x28
4	2.1651.917.0	1	cylindrical plug 12x40
5	2.0432.255.7	2	stud bolt m 12 p.1.75-1.25x25 1160 <- X 660-s AGILE 1198 <- X 770-s AGILE 1234 <- X 880-s AGILE 1150 <- X 990-s AGILE
5	2.0432.257.7	1	stud bolt m 12 p.1.75 - 1.25 x 30 -> 1161 X 660-s AGILE -> 1199 X 770-s AGILE -> 1235 X 880-s AGILE -> 1151 X 990-s AGILE
6	2.0439.250.7	1	stud bolt m 12 / m 10 x 30 -> 1161 X 660-s AGILE -> 1199 X 770-s AGILE -> 1235 X 880-s AGILE -> 1151 X 990-s AGILE
7	0.011.9294.0/10	1	bush -> 1161 X 660-s AGILE -> 1199 X 770-s AGILE -> 1235 X 880-s AGILE -> 1151 X 990-s AGILE



9_38611_01_0_0

Section: ENGINE

CRANKSHAFT

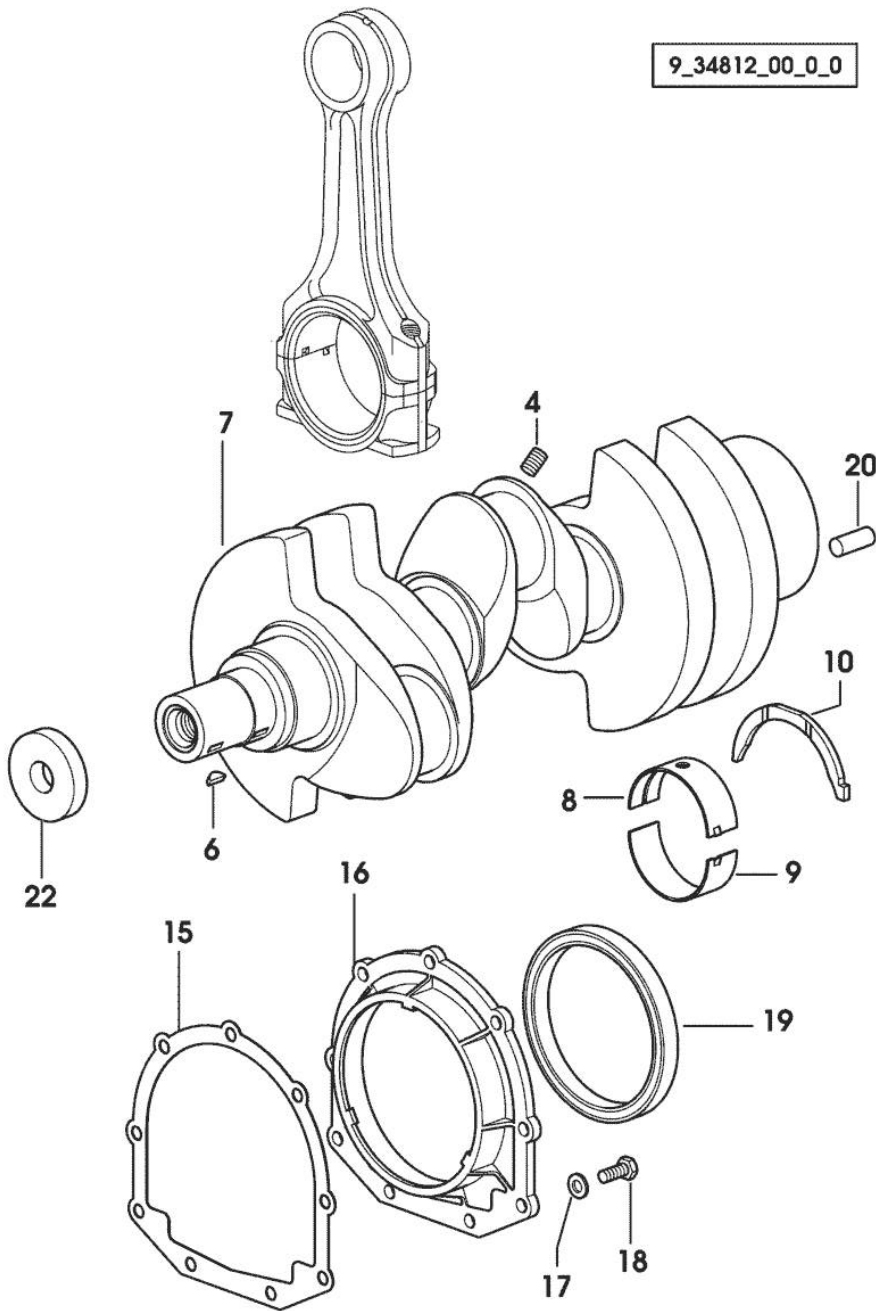
9_34812_00_0_0

Fig.	P/n	QTY	Name
------	-----	-----	------

Notes:

[660-s AGILE]

4	2.3130.001.1	3	plug 1/8" gas
6	2.1720.006.0	2	key 4x6.5
7	0.007.1554.0/20	1	crankshaft
8	0.065.1215.0	4	main half bushing STANDARD
8	0.065.1215.7		main half bushing - mm 0.25
8	0.065.1215.8		main half bushing - mm 0.50
9	0.065.1216.0	4	main half bushing
9	0.065.1216.7		main half bushing - mm 0.25
9	0.065.1216.8		main half bushing - mm 0.50
10	0.065.1218.0	4	shim STANDARD
10	0.065.1218.7		shim + mm 0.10
10	0.065.1218.8		shim + mm 0.15
15	0.065.1254.0/20	1	gasket
16	0.007.1711.0/10	1	cover
17	2.1475.002.2	9	conical washer 8
18	2.0112.207.2	9	screw m 8 p 1.25 x 20
19	2.1529.073.0	1	special oil seal 110x130x13
20	2.1651.915.0	1	pin 12x35
22	2.1599.524.7	1	washer 21x60x12



Section: ENGINE

CYLINDER - PISTON - CONNECTING ROD

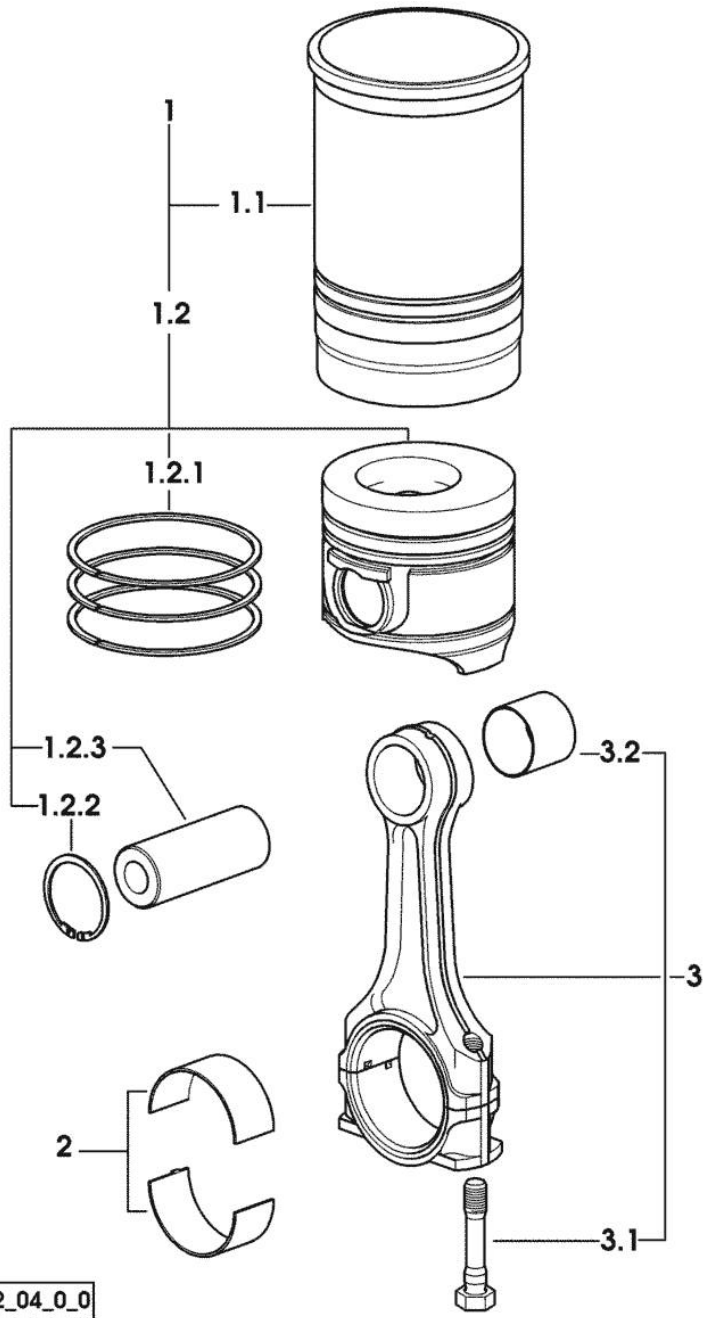


Fig.	P/n	QTY	Name
------	-----	-----	------

Notes:

[660-s AGILE]

1	0.386.0065.6	3	cyl. piston assembly 2778 <= X 660-s AGILE
1	0.386.0065.A	3	cyl. piston assembly "A" => 2779 X 660-s AGILE - CLASS A
1	0.386.0065.B	3	cyl. piston assembly "B" => 2779 X 660-s AGILE - CLASS B
1.1	0.011.0183.0/20	1	engine cylinder
1.1	0.011.0582.0	1	engine cylinder 2778 <= X 660-s AGILE
1.1	0.A12.2675.0	1	engine cylinder "A" => 3785 X 660-s AGILE - CLASS A
1.1	0.B12.2675.0	1	engine cylinder "B" => 3785 X 660-s AGILE - CLASS B
1.2	0.379.0060.6/10	1	complete piston 3784 <= X 660-s AGILE
1.2	0.379.0060.A	1	complete piston "A" => 3785 X 660-s AGILE - CLASS A
1.2	0.379.0060.B	1	complete piston "B" => 3785 X 660-s AGILE - CLASS B
1.2.1	0.086.0052.6/10	1	piston ring set
1.2.2	2.1411.014.1	2	circlip 35
1.2.3	0.078.1236.0	1	piston pin Ø 18 / Ø 35 / L = mm 86
2	0.065.1225.0	6	con.rod half bushing STANDARD - A = 28.75 -> 29.00
2	0.065.1225.7	6	con.rod half bushing - mm 0.25
2	0.065.1225.8	6	con.rod half bushing - mm 0.50
3	0.078.1220.3/30	3	engine connecting rod
3.1	2.0399.213.0	2	screw m 12 p.1.25x61.5
3.2	2.1559.114.0/10	1	special bushing

9_38612_04_0_0

Buy Now



Our support email:

ebooklibonline@outlook.com