

Section: ENGINE

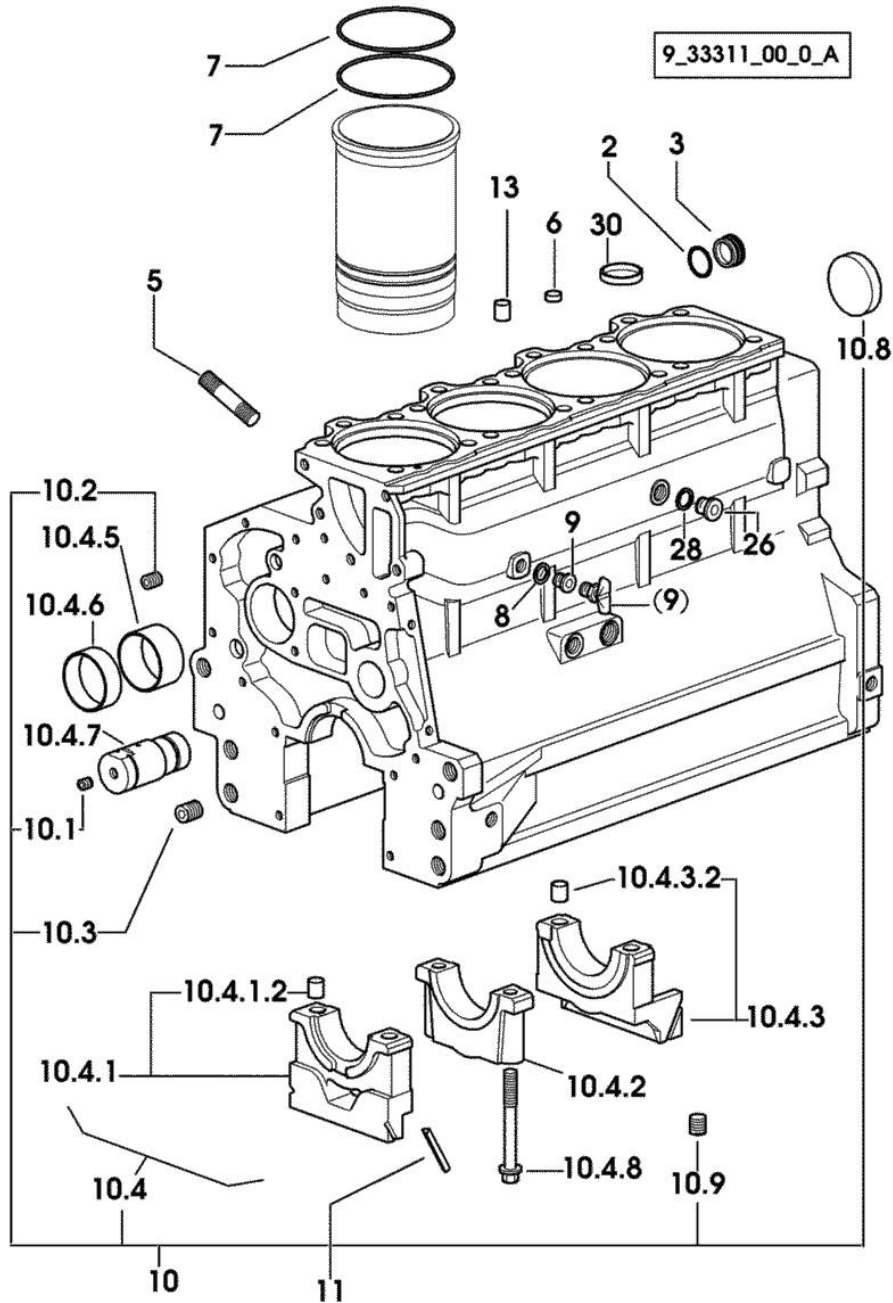
ENGINE BEARING

Fig.	P/n	QTY	Name
------	-----	-----	------

Notes:

[880-s AGILE]

2	2.1532.072.0	1	oil seal 26.70x1.78
3	2.3199.405.2	1	plug m 28 p.1.5
5	2.0432.003.7	12	stud bolt m 8 p.1.25 / p.1 x 20
6	2.1559.188.2	4	bush 11.4 x 14 x16
7	2.1519.096.0/20	12	special oil seal 107.67x1.78 2376 <= X 880-s AGILE 2762 <= X 990-s AGILE
7	2.1539.193.0	8	special oil seal 107.62x2.62 => 2377 X 880-s AGILE => 2763 X 990-s AGILE
8	2.1560.010.0	1	gasket 14.2 x 20
9	0.049.1152.0	1	cock 1073 <- X 880-s AGILE 1049 <- X 990-s AGILE
9	2.3199.292.0	1	plug 1/4" gas -> 1074 X 880-s AGILE -> 1050 X 990-s AGILE
10	0.082.1110.6/20	1	crankcase
10.1	2.3130.001.1	11	plug 1/8" gas
10.2	2.3130.002.1	2	plug 1/4" gas
10.3	2.3130.003.1	5	plug 3/8" gas
10.4	0.000.0000.1		cannot be supplied
10.4.1	0.065.1112.7	1	support
10.4.1.2	2.1699.165.0	1	bush 12.3x15x16
10.4.2	0.065.1114.0/10	3	support
10.4.3	0.065.1116.3	1	support
10.4.3.2	2.1699.165.0	1	bush 12.3x15x16
10.4.5	0.065.1140.0	4	special bushing 59X55X20
10.4.6	0.065.1141.0	1	special bushing 59X55X30
10.4.7	0.066.1151.0	1	pin
10.4.8	0.065.1117.0	10	screw m 12 x 100
10.8	2.3179.012.0	1	plug 60
10.9	2.1324.011.0	1	plug
11	0.066.1152.0/10	4	gasket
13	2.1549.154.2	4	bush 4.8x5.8x16
26	2.3120.101.0	1	plug m 18 p.1.5
28	2.1560.014.0	1	washer 18.2 x 24
30	2.3171.010.4	1	plug 25



9_33311_00_0_B

880-s AGILE

Ref: 01.00.15

Section: ENGINE

TIMING CASE

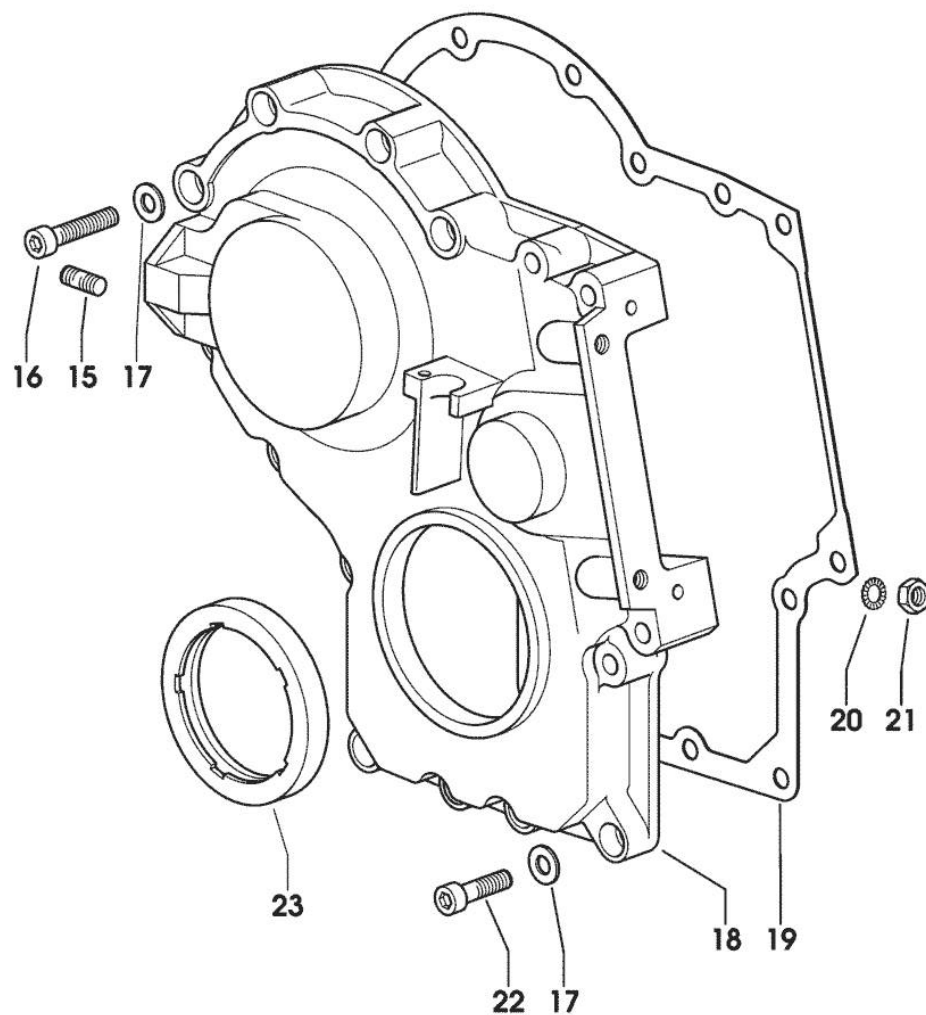


Fig.	P/n	QTY	Name
------	-----	-----	------

Notes:

[880-s AGILE]

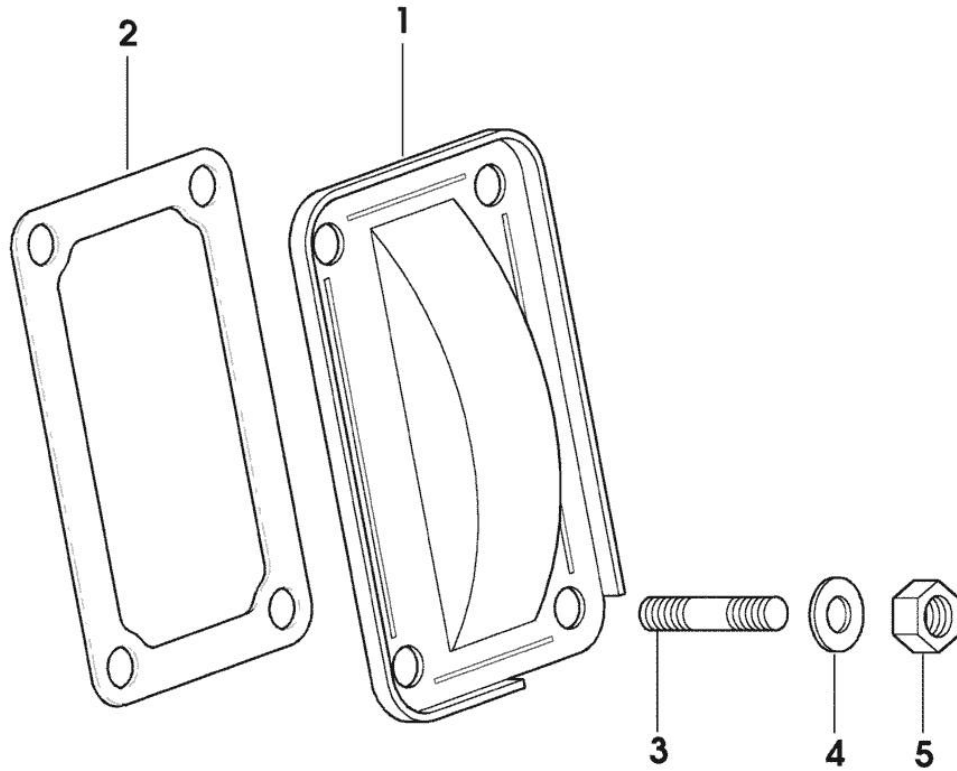
15	2.0432.003.7	2	stud bolt m 8 p.1.25 / p.1 x 20
16	2.0312.214.2	7	screw m 8 p.1.25 x 40
17	2.1480.014.1	15	washer 8
18	0.013.4981.0	1	guard -> 1177 X 880-s AGILE -> 1127 X 990-s AGILE
18	0.065.1132.0/50	1	guard 1176 <- X 880-s AGILE 1126 <- X 990-s AGILE
19	0.065.1150.0/30	1	gasket
20	2.1470.004.2	4	lock washer 8
21	2.1011.405.2	2	nut m 8 p.1
22	2.0312.208.2	8	screw m 8 p.1.25 x 25
23	2.1529.141.0	1	special oil seal

Section: ENGINE
CASING COVER

Fig.	P/n	QTY	Name
------	-----	-----	------

Notes:

[880-s AGILE]



1	0.065.1151.0	1	cover
2	0.065.1152.0	1	gasket
3	2.0432.005.7	4	stud bolt m 8 p.1.5 / p.1 x 25
4	2.1310.004.2	4	flat washer 8.4x17
5	2.1011.405.2	4	nut m 8 p.1

9_33811_04_0_0

Section: ENGINE

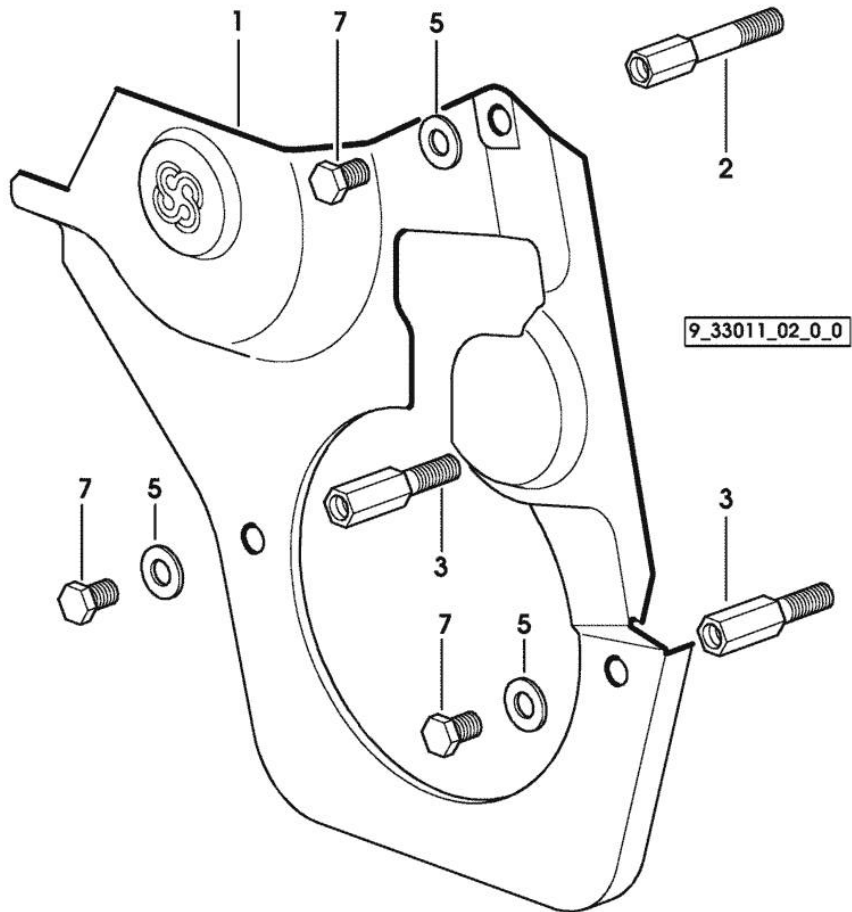
GUARD PLATE

Fig.	P/n	QTY	Name
------	-----	-----	------

Notes:

[880-s AGILE]

1	0.007.1262.3/50	1	guard
2	0.007.1271.0/10	1	small column m 8 p.1.25 / L = mm 60
3	0.007.1272.0/10	2	small column m 8 p.1.25 / L = mm 50
5	2.1310.004.2	3	flat washer 8.4x17
7	2.0112.203.2	3	screw m 8 p.1.25 x 12



MONOBLOC ENGINE-GEARBOX CONNECTING FLANGE

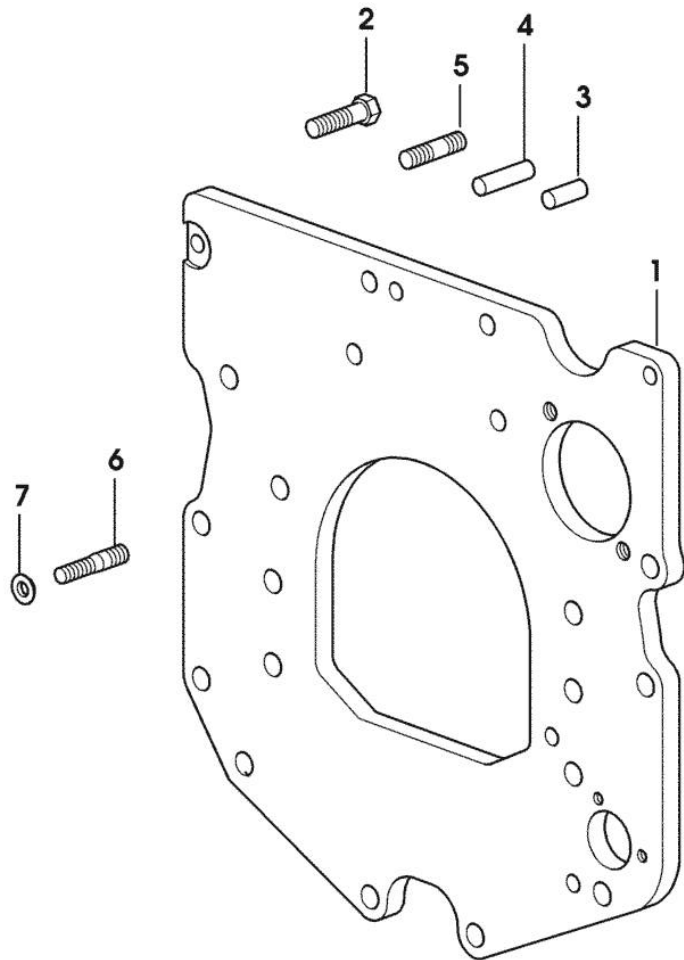


Fig.	P/n	QTY	Name
------	-----	-----	------

Notes:

[880-s AGILE]

1	0.007.1882.0/50	1	flange
2	2.0112.511.2	8	screw m 14 p.2 x 30
3	2.1651.912.0	2	cylindrical plug 12x28
4	2.1651.917.0	1	cylindrical plug 12x40
5	2.0432.255.7	2	stud bolt m 12 p.1.75-1.25x25 1160 <- X 660-s AGILE 1198 <- X 770-s AGILE 1234 <- X 880-s AGILE 1150 <- X 990-s AGILE
5	2.0432.257.7	1	stud bolt m 12 p.1.75 - 1.25 x 30 -> 1161 X 660-s AGILE -> 1199 X 770-s AGILE -> 1235 X 880-s AGILE -> 1151 X 990-s AGILE
6	2.0439.250.7	1	stud bolt m 12 / m 10 x 30 -> 1161 X 660-s AGILE -> 1199 X 770-s AGILE -> 1235 X 880-s AGILE -> 1151 X 990-s AGILE
7	0.011.9294.0/10	1	bush -> 1161 X 660-s AGILE -> 1199 X 770-s AGILE -> 1235 X 880-s AGILE -> 1151 X 990-s AGILE

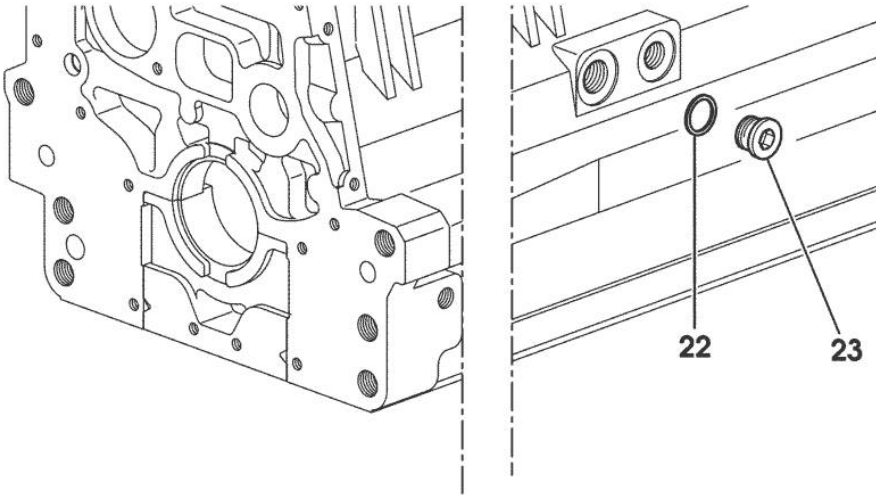
SIDE PLUG FOR CYLINDER BLOCK

Fig.	P/n	QTY	Name
------	-----	-----	------

Notes:

[880-s AGILE]

22	2.1560.017.0	1	gasket 22.2 x 27
23	2.3120.002.4	1	plug m 22 x 1.5



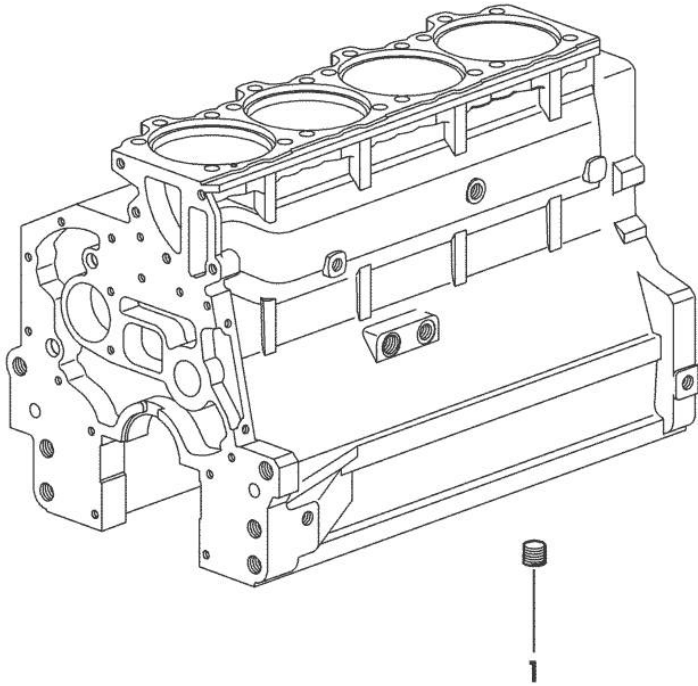
9_33211_07_0_0

PLUG

Fig.	P/n	QTY	Name
------	-----	-----	------

Notes:
[880-s AGILE]

1	2.3130.003.1	1	plug 3/8" gas
---	--------------	---	---------------



9_34311_06_0_0

Buy Now



Our support email:

ebooklibonline@outlook.com