

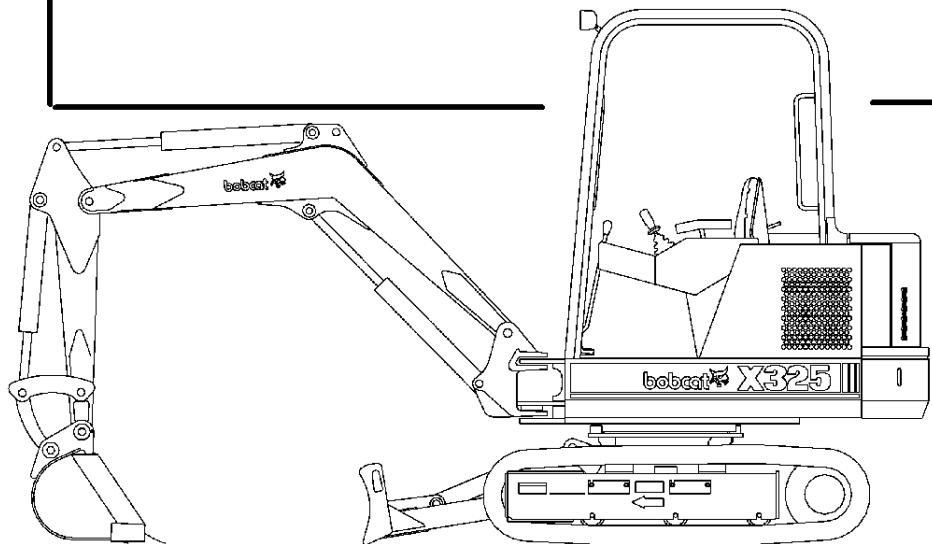
**325**



**Bobcat®**

# Parts Manual

**S/N 514011001-514012999**



## 325 ALPHABETICAL INDEX

ACCUMULATOR VALVE .....	112	KEY .....	16, 156
ADAPTER, CONNECTOR .....	100	KIT, BREAKER MOUNTING ..	227, 231, 234
ADHESIVE .....	302	KIT, DECAL .....	250
AIR CLEANER .....	199	KIT, TANK HEATER .....	289, 290
ALTERNATOR .....	160	KIT, WORK LIGHT .....	294
ANTI-FREEZE .....	302	LATCH .....	26, 34, 38
ARM REST .....	68, 70	LEVER, BLADE .....	72
AUGER .....	216	LEVER, SPEED CONTROL .....	72
BEARING, SWING .....	46	LIGHT SWITCH .....	156
BLADE .....	66	LIGHT .....	28
BLADE CYLINDER .....	66	LOCK .....	16
BLOCK, FUSE .....	156	LUBRICANT .....	302
BREAKER .....	262, 268	MANIFOLD .....	187
BREAKER MOUNT .....	227, 231	MOTOR, SWING .....	98, 122
BREAKER MOUNTING KIT .....	234	MOTOR, TRAVEL .....	114
BUCKET .....	236, 237	MOUNT, SEAT .....	68
CAB .....	18	OIL, .....	302
CAB DOOR .....	38	PAINT .....	302
CAB .....	26	PEDAL .....	78
CABLE, BLADE .....	72	POLISH .....	302
CANOPY .....	24	PUMP, FUEL .....	189, 190
CHARGE KIT, BREAKER .....	243, 244	PUMP, INJECTION .....	189, 190
CHECK VALVE .....	125	PUMP, OIL .....	178
CONSOLE .....	68, 70	PUMP, WATER .....	185
CUTTER ASSY, LINE CUTTER .....	270	REGULATOR .....	160
CYLINDER, ARM .....	144	ROLLER .....	53, 54
CYLINDER, BLADE .....	66	SCREEN .....	194
CYLINDER, BOOM .....	148	SEALANT .....	302
CYLINDER, BUCKET .....	150	SEAT (STANDARD) .....	44
CYLINDER, GAS SPRING .....	70	SEAT BELT .....	44
CYLINDER, SWING .....	152	SELECTOR VALVE .....	100, 126
DECALS .....	250, 258	SHIELD, BLADE CYL. ....	98
DOME LIGHT .....	26	SIGHT GAUGE .....	194
DOOR, CAB .....	38	STARTER .....	162
FAN SWITCH .....	42	SWING BEARING .....	46
FILTER, ENG. OIL .....	175	SWING CYLINDER .....	152
FILTER, FUEL .....	194	SWING MOTOR .....	98, 122
FLOOR PLATE .....	68, 78	SWITCH, FAN .....	42
FLOORMAT .....	68	SWITCH, LIGHT .....	156
FLOORPLATE .....	76	SWITCH, WIPER/WASHER .....	26
FRAME, TRACK .....	46	SWIVEL JOINT .....	106
FUEL FILTER .....	194	TANK HEATER .....	289, 290
FUEL TANK .....	16	TANK, FUEL .....	16
FUSE BLOCK .....	156	TANK, HYDRAULIC .....	16, 194
FUSE HOLDER .....	26	THERMOSTAT .....	188
GAS SPRING .....	70	TOOTH, BUCKET .....	236
GASKET KIT, ENGINE .....	196, 198	TRACK FRAME .....	46
GLASS .....	26, 34, 38	TRACK ROLLER .....	53, 54
GLOW PLUG .....	191	TRACK, STEEL .....	58
HEATER .....	42	TRAVEL MOTOR .....	96, 114
HEATER HOSE .....	18	VALVE, ACCUMULATOR .....	112
HINGE .....	38	VALVE, SELECTOR .....	126
HOSE, HEATER .....	18	WASHER, WINDOW .....	18
HYD/HYDRO FLUID .....	302	WINDOW, R.H. ....	34
HYDRAULIC TANK .....	16, 194	WIPER/WASHER SWITCH .....	26
INJECTION NOZZLES .....	191	WORK LIGHT KIT .....	294
JOYSTICK .....	108, 110		

## 325 CONTENTS

<b>MAIN FRAME</b> .....	<b>12-45</b>
UPPERSTRUCTURE & ENGINE COVERS .....	12-13
ENGINE COVERS .....	14-15
SIDE COVERS & TANKS .....	16-17
CAB & MOUNTING .....	18-21
CAP INSULATION .....	22-23
CANOPY & MOUNTING .....	24-25
OPERATOR CAB .....	26-41
HEATER .....	42-43
SEAT .....	44-45
<b>UNDERCARRIAGE</b> .....	<b>46-69</b>
UNDERCARRIAGE .....	46-47
RECOIL SPRING .....	48-51
FRONT IDLER .....	52-59
TRACK ROLLER .....	60-67
TRACKS .....	68-69
<b>WORK EQUIPMENT</b> .....	<b>70-77</b>
ARM & BUCKET LINK .....	70-71
BOOM .....	72-73
SWING FRAME .....	74-75
BLADE .....	76-77
<b>CONTROLS</b> .....	<b>78-89</b>
R.H. CONTROL CONSOLE & FLOORBOARDS .....	78-79
L.H. CONTROL CONSOLE .....	80-81
BLADE & SPEED CONTROLS .....	82-85
TRAVEL CONTROLS .....	86-87
BOOM SWING & AUXILIARY CONTROLS .....	88-89
<b>HYDRAULIC CIRCUITRY</b> .....	<b>90-171</b>
HYDRAULIC CIRCUITRY .....	90-115
SWIVEL JOINT .....	116-117
R.H. JOYSTICK CONTROLS .....	118-119
L.H. JOYSTICK CONTROLS .....	120-121
ACCUMULATOR VALVE .....	122-123
TRAVEL MOTOR .....	124-129
MOUNT ASSY .....	130-131
SWING MOTOR .....	132-133
RELIEF VALVE .....	134-135
CHECK VALVE .....	136-137
SELECTOR VALVE .....	138-139
GEAR PUMP .....	140-141
CONTROL VALVE ASSY. (3 SPOOL) .....	142-143
VALVE SECTION (BLADE & BOOM SWING) .....	144-145
VALVE SECTION (SWING MOTOR) .....	146-147
RELIEF VALVE (3 & 6 SPOOL) .....	148-149
CONTROL VALVE ASSY. (6 SPOOL) .....	150-151
VALVE SECTION (R.H. TRAVEL & L.H. TRAVEL) .....	152-153
VALVE SECTION (AUXILIARY) .....	154-155
VALVE SECTION (BOOM, BUCKET & ARM) .....	156-157
RELIEF VALVE (6 SPOOL) .....	158-159
ARM CYLINDER .....	160-161
BLADE CYLINDER .....	162-163
BOOM CYLINDER .....	164-165
BUCKET CYLINDER .....	166-167
SWING CYLINDER .....	168-169
LIFTING CYLINDER .....	170-171
<b>ELECTRICAL SYSTEM</b> .....	<b>172-179</b>
ELECTRICAL SYSTEMS .....	172-175
ALTERNATOR .....	176-177
STARTER .....	178-179

## 325 CONTENTS (Cont'd)

<b>POWER UNIT</b> .....	<b>180-231</b>
AIR CLEANER & MUFFLER MOUNTING .....	180-181
RADIATOR & MOUNTING .....	182-183
ENGINE MOUNTING .....	184-185
ALTERNATOR MOUNTING & RADIATOR HOSES .....	186-187
ROCKER ARM COVER .....	188-189
VALVES & ROCKER ARM .....	190-191
CYLINDER HEAD .....	192-193
OIL PAN .....	194-195
GEARCASE .....	196-197
CRANKCASE .....	198-199
PISTON & CRANKSHAFT .....	200-201
CAMSHAFT .....	202-203
FUEL CAMSHAFT .....	204-205
GOVERNOR .....	206-207
SPEED CONTROL PLATE .....	208-209
WATER PUMP .....	210-211
ENGINE STOP LEVER .....	212-213
MANIFOLDS .....	214-215
WATER FLANGE & THERMOSTAT .....	216-217
INJECTION PUMP .....	218-221
INJECTOR NOZZLES .....	222-223
FUEL SYSTEM & TANKS .....	224-225
UPPER GASKET KIT .....	226-227
LOWER GASKET KIT .....	228-229
AIR CLEANER .....	230-231
<b>ACCESSORIES</b> .....	<b>232-355</b>
AUGER .....	235-248
AUGER MOUNTING KIT .....	249-250
AUGER - HYDRAULIC MOTOR .....	251-256
AUXILIARY RELIEF KIT .....	257-258
BELLY PAN KIT .....	259-260
BREAKER MOUNTING KIT .....	261-268
BREAKER MOUNTING PACK .....	269-270
BUCKET .....	271-274
BUCKET TEETH .....	275-276
CAB DOOR KIT .....	277-278
CAB ENCLOSURE .....	279-280
CAB OR CANOPY (FOPS KIT) .....	281-282
CHARGE KIT .....	283-286
CLAMP .....	287-288
COMPACTOR .....	289-290
DECALS .....	291-300
GRAPPLE .....	301-302
HYDRAULIC BREAKER .....	303-316
HYDRAULIC BREAKER TOOLS .....	317-320
ISO/STD CONVERSION KIT .....	321-322
MOTION ALARM KIT .....	323-324
OPERATOR HANDBOOK KIT .....	325-326
RAINGUARD KIT .....	327-328
RENTAL KIT .....	329-330
SELECTOR VALVE ASSY .....	331-332
SPECIAL APPLICATION KIT .....	333-336
TANK HEATER KIT .....	337-340
TRACK KIT .....	341-344
WIDE LINK KIT .....	345-346
WORK LIGHT KIT .....	347-348
X-CHANGE <sup>™</sup> .....	349-350
X-CHANGE <sup>™</sup> BREAKER MOUNTNG KIT .....	351-352
X-CHANGE <sup>™</sup> KIT (BOLT-ON) .....	353-354
BULK ITEMS .....	355-356
<b>NUMERICAL</b> .....	<b>357-407</b>
NUMERICAL .....	357-407

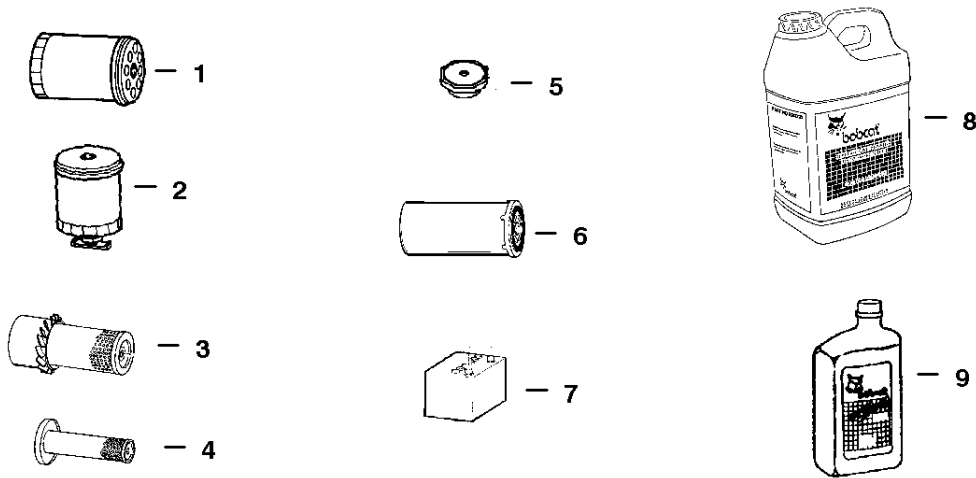
## 325 CONTENTS

<b>MAIN FRAME</b> .....	<b>12-45</b>
UPPERSTRUCTURE & ENGINE COVERS .....	12-13
ENGINE COVERS .....	14-15
SIDE COVERS & TANKS .....	16-17
CAB & MOUNTING .....	18-21
CAP INSULATION .....	22-23
CANOPY & MOUNTING .....	24-25
OPERATOR CAB .....	26-41
HEATER .....	42-43
SEAT .....	44-45
<b>UNDERCARRIAGE</b> .....	<b>46-69</b>
UNDERCARRIAGE .....	46-47
RECOIL SPRING .....	48-51
FRONT IDLER .....	52-59
TRACK ROLLER .....	60-67
TRACKS .....	68-69
<b>WORK EQUIPMENT</b> .....	<b>70-77</b>
ARM & BUCKET LINK .....	70-71
BOOM .....	72-73
SWING FRAME .....	74-75
BLADE .....	76-77
<b>CONTROLS</b> .....	<b>78-89</b>
R.H. CONTROL CONSOLE & FLOORBOARDS .....	78-79
L.H. CONTROL CONSOLE .....	80-81
BLADE & SPEED CONTROLS .....	82-85
TRAVEL CONTROLS .....	86-87
BOOM SWING & AUXILIARY CONTROLS .....	88-89
<b>HYDRAULIC CIRCUITRY</b> .....	<b>90-171</b>
HYDRAULIC CIRCUITRY .....	90-115
SWIVEL JOINT .....	116-117
R.H. JOYSTICK CONTROLS .....	118-119
L.H. JOYSTICK CONTROLS .....	120-121
ACCUMULATOR VALVE .....	122-123
TRAVEL MOTOR .....	124-129
MOUNT ASSY .....	130-131
SWING MOTOR .....	132-133
RELIEF VALVE .....	134-135
CHECK VALVE .....	136-137
SELECTOR VALVE .....	138-139
GEAR PUMP .....	140-141
CONTROL VALVE ASSY. (3 SPOOL) .....	142-143
VALVE SECTION (BLADE & BOOM SWING) .....	144-145
VALVE SECTION (SWING MOTOR) .....	146-147
RELIEF VALVE (3 & 6 SPOOL) .....	148-149
CONTROL VALVE ASSY. (6 SPOOL) .....	150-151
VALVE SECTION (R.H. TRAVEL & L.H. TRAVEL) .....	152-153
VALVE SECTION (AUXILIARY) .....	154-155
VALVE SECTION (BOOM, BUCKET & ARM) .....	156-157
RELIEF VALVE (6 SPOOL) .....	158-159
ARM CYLINDER .....	160-161
BLADE CYLINDER .....	162-163
BOOM CYLINDER .....	164-165
BUCKET CYLINDER .....	166-167
SWING CYLINDER .....	168-169
LIFTING CYLINDER .....	170-171
<b>ELECTRICAL SYSTEM</b> .....	<b>172-179</b>
ELECTRICAL SYSTEMS .....	172-175
ALTERNATOR .....	176-177
STARTER .....	178-179

## 325 CONTENTS (Cont'd)

<b>POWER UNIT</b> .....	<b>180-231</b>
AIR CLEANER & MUFFLER MOUNTING .....	180-181
RADIATOR & MOUNTING .....	182-183
ENGINE MOUNTING .....	184-185
ALTERNATOR MOUNTING & RADIATOR HOSES .....	186-187
ROCKER ARM COVER .....	188-189
VALVES & ROCKER ARM .....	190-191
CYLINDER HEAD .....	192-193
OIL PAN .....	194-195
GEARCASE .....	196-197
CRANKCASE .....	198-199
PISTON & CRANKSHAFT .....	200-201
CAMSHAFT .....	202-203
FUEL CAMSHAFT .....	204-205
GOVERNOR .....	206-207
SPEED CONTROL PLATE .....	208-209
WATER PUMP .....	210-211
ENGINE STOP LEVER .....	212-213
MANIFOLDS .....	214-215
WATER FLANGE & THERMOSTAT .....	216-217
INJECTION PUMP .....	218-221
INJECTOR NOZZLES .....	222-223
FUEL SYSTEM & TANKS .....	224-225
UPPER GASKET KIT .....	226-227
LOWER GASKET KIT .....	228-229
AIR CLEANER .....	230-231
<b>ACCESSORIES</b> .....	<b>232-355</b>
AUGER .....	235-248
AUGER MOUNTING KIT .....	249-250
AUGER - HYDRAULIC MOTOR .....	251-256
AUXILIARY RELIEF KIT .....	257-258
BELLY PAN KIT .....	259-260
BREAKER MOUNTING KIT .....	261-268
BREAKER MOUNTING PACK .....	269-270
BUCKET .....	271-274
BUCKET TEETH .....	275-276
CAB DOOR KIT .....	277-278
CAB ENCLOSURE .....	279-280
CAB OR CANOPY (FOPS KIT) .....	281-282
CHARGE KIT .....	283-286
CLAMP .....	287-288
COMPACTOR .....	289-290
DECALS .....	291-300
GRAPPLE .....	301-302
HYDRAULIC BREAKER .....	303-316
HYDRAULIC BREAKER TOOLS .....	317-320
ISO/STD CONVERSION KIT .....	321-322
MOTION ALARM KIT .....	323-324
OPERATOR HANDBOOK KIT .....	325-326
RAINGUARD KIT .....	327-328
RENTAL KIT .....	329-330
SELECTOR VALVE ASSY .....	331-332
SPECIAL APPLICATION KIT .....	333-336
TANK HEATER KIT .....	337-340
TRACK KIT .....	341-344
WIDE LINK KIT .....	345-346
WORK LIGHT KIT .....	347-348
X-CHANGE <sup>™</sup> .....	349-350
X-CHANGE <sup>™</sup> BREAKER MOUNTNG KIT .....	351-352
X-CHANGE <sup>™</sup> KIT (BOLT-ON) .....	353-354
BULK ITEMS .....	355-356
<b>NUMERICAL</b> .....	<b>357-407</b>
NUMERICAL .....	357-407

## MAINTENANCE ITEMS MODEL 325



Ref.	Part Number	Description	Remarks	Page
1	3974896	ENGINE OIL FILTER		197
2	6667352	FUEL FILTER		224
3	6598492	AIR CLEANER FILTER (Primary)		231
4	6598362	AIR CLEANER FILTER (Secondary)		231
5	3974310	RADIATOR CAP		182
6	6653336	HYDRAULIC FILTER		108
7	6670251	BATTERY		174
	6665093	BATTERY (Mixon)		174
8	6563328	HYDRAULIC/HYDROSTATIC FLUID - 2-2 1/2 (5 Gallons)		355
	6563329	HYDRAULIC/HYDROSTATIC FLUID 30 Gallon		355
	6563330	HYDRAULIC/HYDROSTATIC FLUID 55 Gallon		355
		(HYDRAULIC -RESERVOIR CAPACITY)	10.5 GALS. (40 L)	
9	6657299	MOTOR OIL	15W40 CE/SG -1 Qt.	355
	6724558	MOTOR OIL	15W40 CE/SG -1 Gallon	355
	6674204	MOTOR OIL	15W40 CE/SG - 2.5 Gal.	355
	6657301	MOTOR OIL	10W30 CE/SG -1 Qt.	355
	6724557	MOTOR OIL	10W30 CE/SG -1 Gallon	355
	6674205	MOTOR OIL	10W30 CE/SG - 2.5 Gal.	355
	6657303	MOTOR OIL	30 CE/SG -1 Qt.	355
	6724559	MOTOR OIL	30 CE/SG -1 Gallon	355
	6674206	MOTOR OIL	30 CE/SG -2.5 Gal.	355
		( ENGINE OIL W/FILTER CAPACITY )	9.0 QTS. (8,5 L)	

# GENERAL INFORMATION

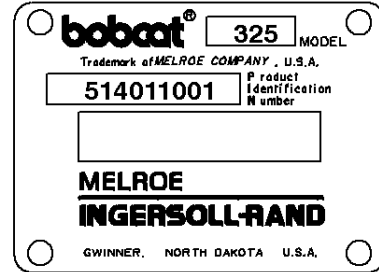
When using the machine serial number, use the complete number.

Some Serial Number breaks are not available at time of printing. These are listed as & Below or & Above.

The number shown in the quantity column in this manual is the number of parts needed for the illustration on the page. For some parts an "x" will be shown in the quantity column. This "x" indicates that the quantity to be used is "As Needed".

When references L.H. and R.H. are used in this manual, it is done from the operator's seat in the forward operating position.

Some of the illustrations and information found in this parts manual were supplied to Bobcat by machine component companies.



## ABBREVIATIONS & SYMBOLS

**SALES = Order from Gwinner Sales Department**

**NSS = Not Serviced Separately**

**NAP = Not Available as Parts**

**\* = Changed or Added Sections, Pages or Part Numbers**

**Disposition Code Definition (Found in the Remarks Column)**

**[A] = Use Up**

**[B] = Use Up on Other Application (See PNI)**

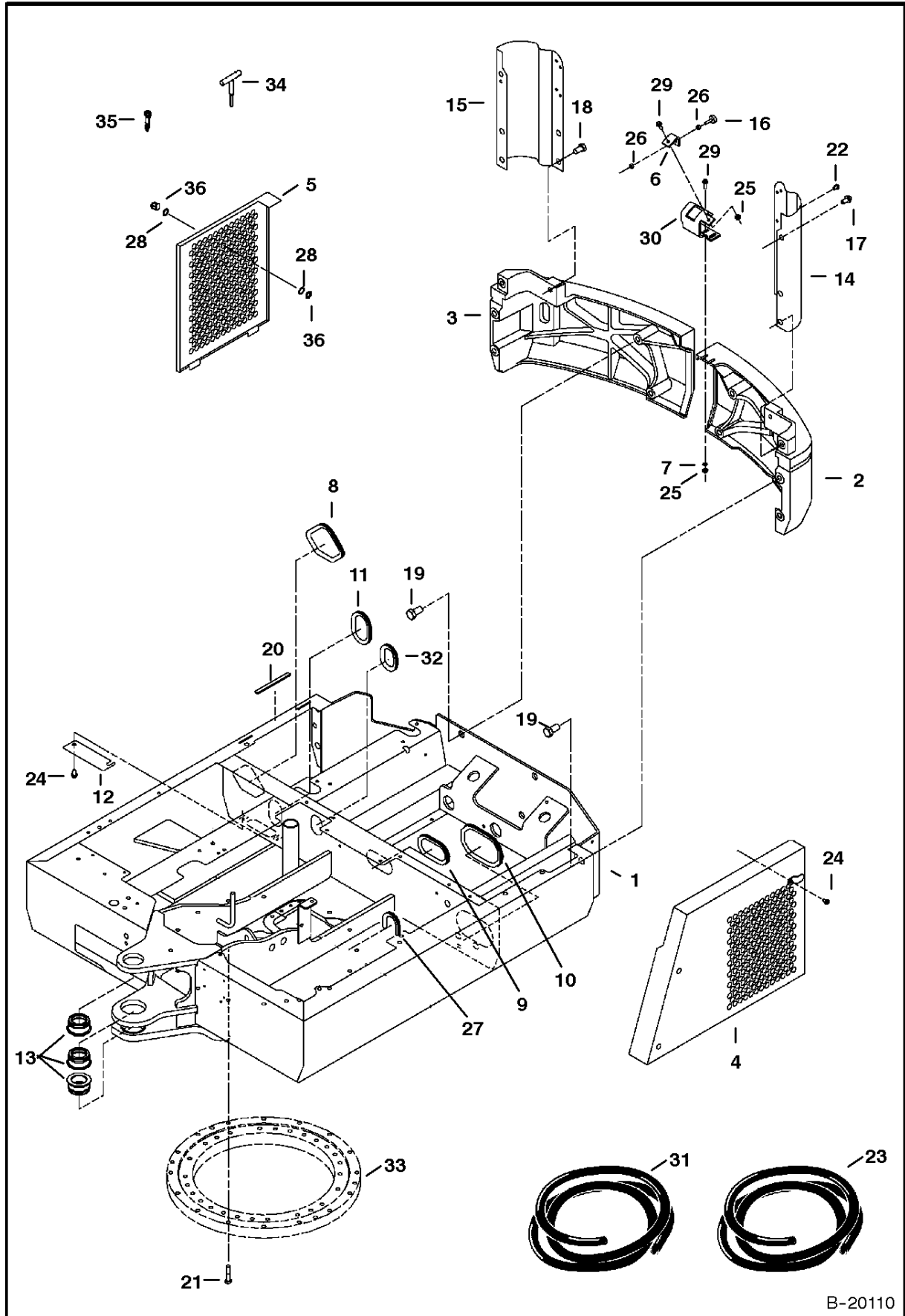
**[C] = File PDR Report With Bobcat Parts Sales**

**[D] = Part Number Error**

Explications en francais	Grid Nb	3
Erklärungen auf deutsch	Grid Nb	4
Spiegazioni in italiano	Grid Nb	5
Explicaciones en espanol	Grid Nb	6
Verklaring in het Nederlands	Grid Nb	7



# UPPERSTRUCTURE & ENGINE COVERS

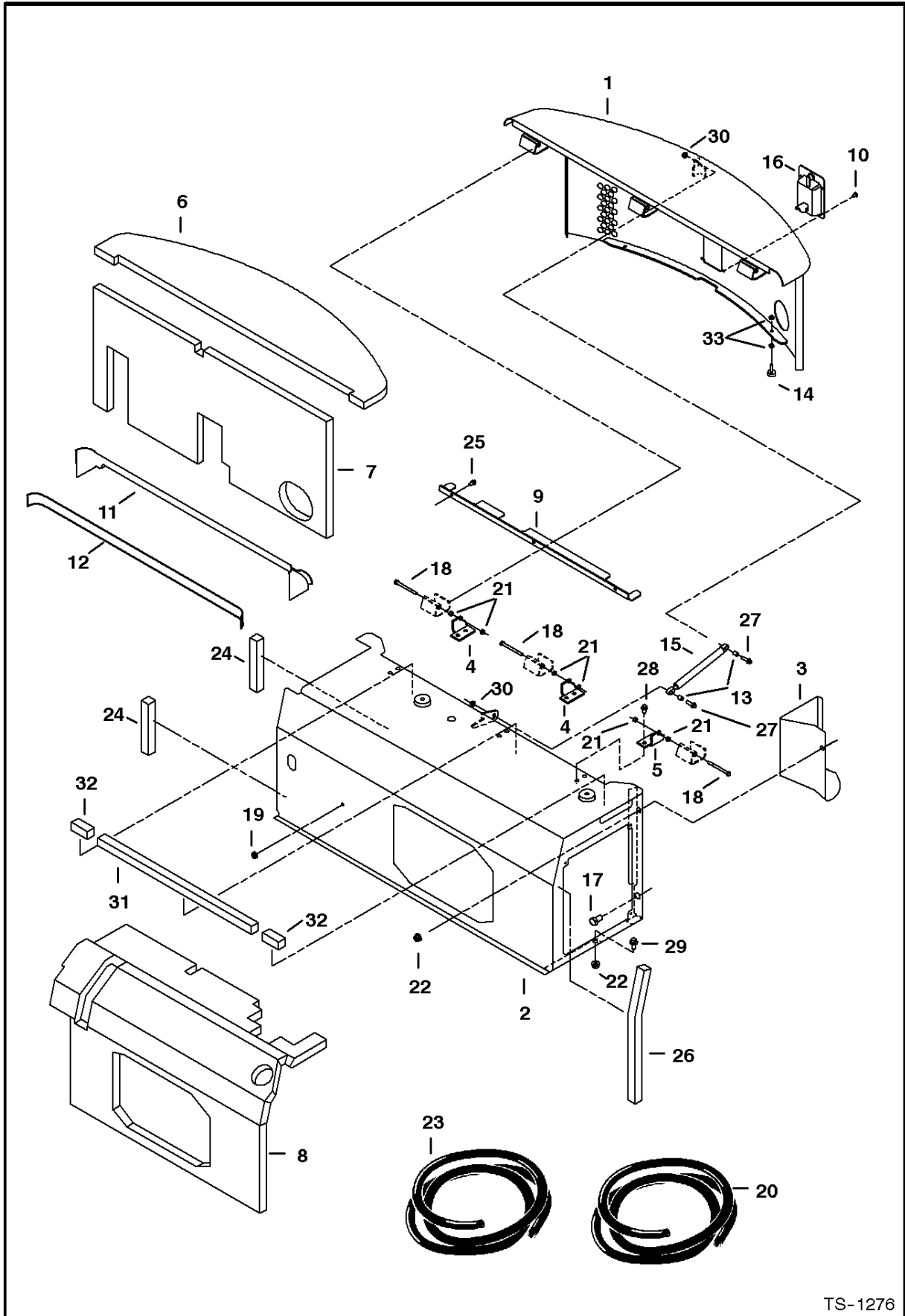


B-20110

## UPPERSTRUCTURE &amp; ENGINE COVERS

Ref.N°	Part N°	Description	Remarks	Serial N°	Qty.
1	6596092	FRAME	Upperstructure	11001 - 12999	1
2	6588239	COUNTERWEIGHT	L.H.		1
3	6588241	COUNTERWEIGHT	R.H.		1
4	6588611	COVER	Side, L.H.		1
5	6589626	COVER	Side, R.H. - Locking		1
6	6804078	ANGLE	Was 6588539 [A]		1
7	10EM-80	WASHER			2
8	NAP	MOULDING	16' (391mm) long Order Ref. UPPERSTRUCTURE & ENGINE COVERS(31)		1
9	NAP	MOULDING	12'(308mm) long - Order Ref. UPPERSTRUCTURE & ENGINE COVERS(31)		1
10	NAP	MOULDING	18'(454mm) long - Order Ref. UPPERSTRUCTURE & ENGINE COVERS(31)		1
11	NAP	MOULDING	11'(280mm) long Order Ref. UPPERSTRUCTURE & ENGINE COVERS(31)		2
12	6596723	COVER	Was 6539292 [A]		1
13	6589322	BUSHING			3
14	6587895	BUMPER	L.H.		1
15	6588131	BUMPER	R.H.		x
16	6655399	BUMPER			1
17	29CM-1225	SCREW			2
18	1CM-1630	BOLT			4
19	1CM-2040	BOLT			8
20	NAP	INSULATION	6' (152mm) long - Order Ref. UPPERSTRUCTURE & ENGINE COVERS(23)		1
21	7CM-1260	SCREW			16
22	26GM-8016	SCREW			4
23	6632217	SEAL	Bulk - Sold Per Foot		x
24	26GM-10020	SCREW			8
25	43DM-8	NUT	Was 42DM-8 [B]		2
26	61D-5	NUT			2
27	NAP	MOULDING	7'(178mm) long - Order Ref. UPPERSTRUCTURE & ENGINE COVERS(31)		1
28	6536802	WASHER			2
29	29CM-825	SCREW			3
30	6589060	BRACKET			1
31	6654139	MOULDING	Bulk - Sold Per Foot		x
32	NAP	MOULDING	8' (196mm) long - Order Ref. UPPERSTRUCTURE & ENGINE COVERS(31)		x
33	6655124	SWING BEARING	See Page UNDERCARRIAGE(1)		1
34	6586494	PIN	Alignment - Service Tool for Aligning Swing Bearing When a Disassembled Upperstructure has been removed from Under- Carriage.		3
35	6535902	BOLT	Alignment - Service Tool for Aligning Swing Bearing when an Assembled Upperstructure has been removed from Under- Carriage		3
36	6661695	LOCK ASSY.			1
36	6587458	KEY SET			1

# ENGINE COVERS

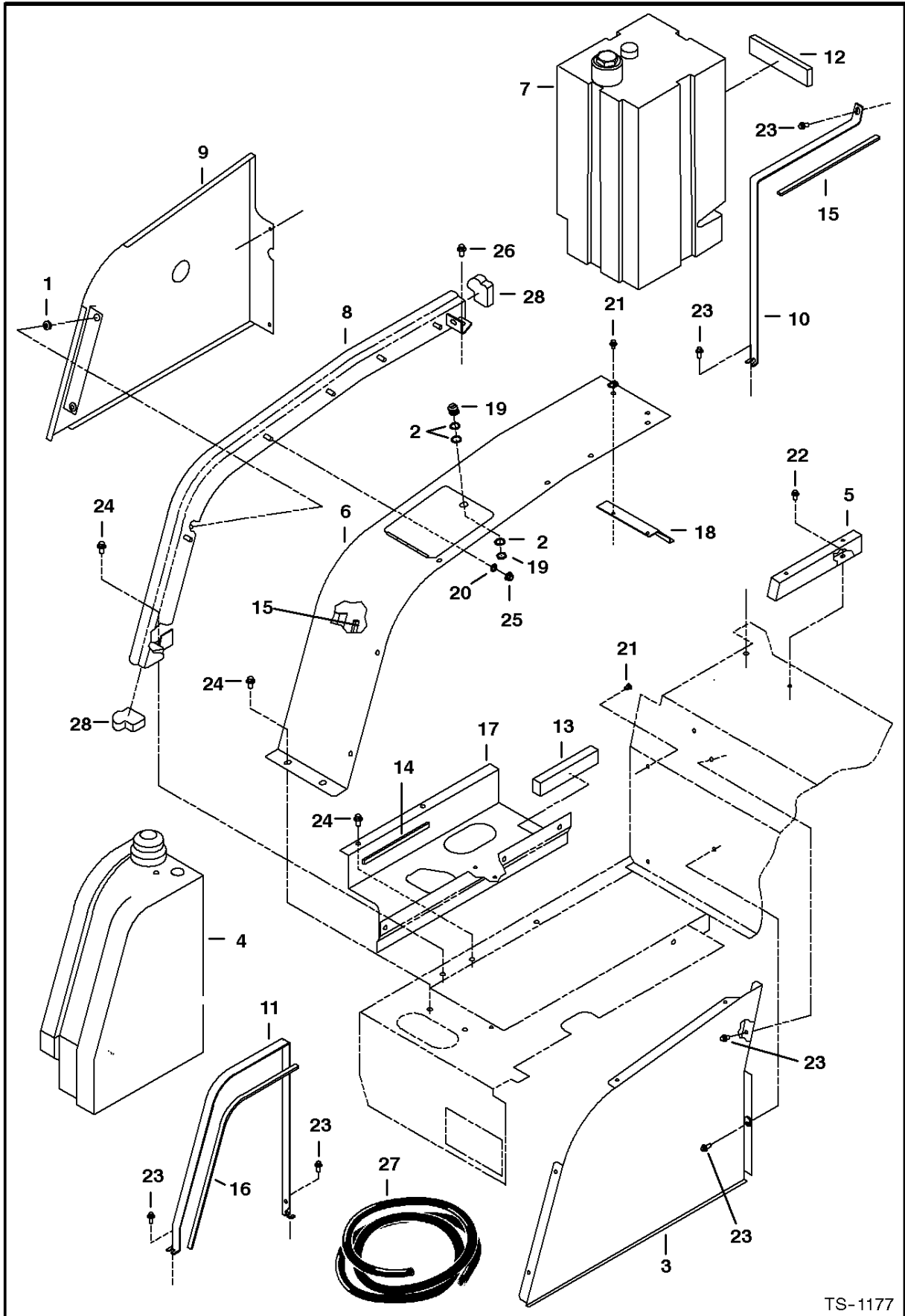


TS-1276

## ENGINE COVERS

Ref.N°	Part N°	Description	Remarks	Serial N°	Qty.
1	6596087	COVER	Engine		1
2	6596232	COVER	Front Engine		1
3	6596086	TOOL BOX			1
4	6589033	ANGLE			2
5	6589032	ANGLE(L.H.081<com38-}H~10{M			1
6	6588615	INSULATION			1
7	6596251	INSULATION			1
8	6596247	INSULATION			1
9	6588648	SUPPORT(081;com3;)}H~10{M			1
10	6589675	SCREW			4
11	6588070	COVER(0818com3KB)}H~10{M			1
12	NAP	TAPE	Double Backed - For Attaching Ref. ENGINE COVERS(25) to the Cab/Canopy - 48'(1220mm) long - Order Ref. ENGINE COVERS(20)		1
13	6588293	BUSHING			2
14	6655399	BUMPER			2
15	6664443	CYLINDER	Gas Spring		1
16	6674239	LATCH	Was 6664447[A]		1
16	6587458	KEY SET			1
17	1CM-1630	BOLT			4
18	1CM-890	BOLT			3
19	515069	GROMMET			1
20	6900669	TAPE	Bulk - Sold Per Foot - Was 6665212[A]		x
21	4DM-8	NUT	Was 1DM-8 [A]		6
22	43DM-12	NUT	Was 42DM-12 [B]		6
23	6554274	INSULATION	Bulk - Sold Per Foot		x
24	NAP	INSULATION	16' (406mm) long - Order Ref. ENGINE COVERS(23)		2
25	26GM-8016	SCREW			5
26	NAP	INSULATION	20'(500mm) long - Order Ref. ENGINE COVERS(23)		1
27	29CM-830	SCREW			2
28	26GM-10020	SCREW	Was 29CM-1020 [B]		8
29	29CM-1225	SCREW			4
30	43DM-8	NUT	Was 43DM-8 [B]		4
31	NAP	INSULATION	28'(710mm) long - Order Ref. ENGINE COVERS(23)		1
32	NAP	INSULATION	3'(75mm) long - Order Ref. ENGINE COVERS(23)		2
33	61D-5	NUT			4

# SIDE COVERS & TANKS



## SIDE COVERS &amp; TANKS

Ref.N°	Part N°	Description	Remarks	Serial N°	Qty.
1	515069	GROMMET			2
2	6536802	WASHER			3
3	6587544	PLATE			1
4	6589025	TANK	Fuel - See Page FUEL SYSTEM & TANKS(4)		1
5	6587552	BRACKET			1
6	NAP	COVER	Order 6806889 - Was 6587553[A]		1
6	6806889	COVER	1 piece		1
7	6588490	TANK	Hydraulic - See Page FUEL SYSTEM & TANKS(4)		1
8	NAP	TUBE	Order 6806889 Was 6588485[A]		1
9	6588491	PLATE	Side Cover		1
10	6588664	STRAP	Hydraulic Tank		1
11	6588783	STRAP	Fuel Tank		1
12	NAP	FOAM	order 6588939 - Was 6588938 [A]		1
13	6588939	FOAM			1
14	NAP	FOAM	9'(230mm) long - Order Ref. SIDE COVERS & TANKS(27)		1
15	NAP	FOAM	14'(350mm) long - Order Ref.SIDE COVERS & TANKS(27)		2
16	NAP	FOAM	24'(620mm) long - Order Ref.SIDE COVERS & TANKS(27)		1
17	6587546	PAN			1
18	6588933	BRACKET			1
19	6661695	LOCK ASSY.			1
19	6587458	KEY SET			1
20	15EM-120	WASHER			6
21	26GM-8013	SCREW	Was 26GM-8012 [A]		10
22	29CM-816	BOLT			2
23	26GM-8016	SCREW			5
24	26GM-10020	SCREW			8
25	43DM-10	NUT	Was 42DM-10 [B]		6
26	29CM-1020	BOLT			1
27	6632217	SEAL	Bulk - Order Per Foot		x
28	6589660	FOAM			2
29	26GM-8016	SCREW			6

**Buy Now**



Our support email:

[ebooklibonline@outlook.com](mailto:ebooklibonline@outlook.com)