

325
328

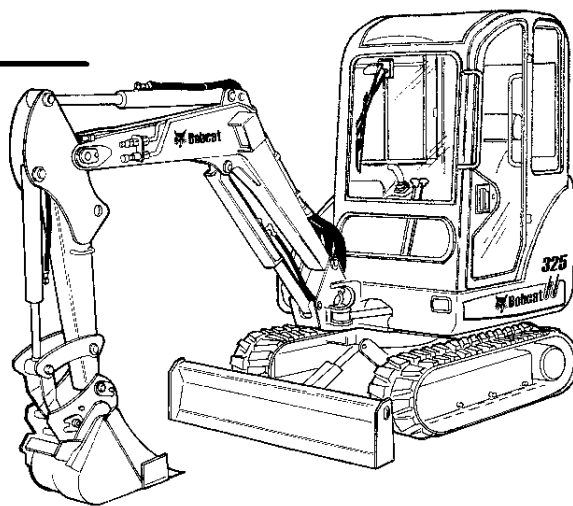


Bobcat®

G-Series

Parts Manual

325G (S/N 2341 11001 & Above)
328G (S/N 2342 11001 & Above)



325G/328G - SERIES CONTENTS

MAIN FRAME	9-30
MAINTENANCE ITEM	9-10
MAINTENANCE SCHEDULE	11-12
OPERATOR CAB	13-14
INSULATION	15-16
UPPERSTRUCTURE LOCK	17-18
OPERATOR CAB	19-24
OPERATOR AREA & SEAT	25-26
R.H. COVER	27-28
TAILGATE	29-30
UNDERCARRIAGE	31-40
RECOIL SPRING	31-34
FRONT IDLER	35-36
TRACK ROLLER	37-38
TRACKS	39-40
WORK EQUIPMENT	41-54
ARM & BUCKET LINK	41-42
X-CHANGE®	43-44
BOOM	45-46
SWING FRAME	47-48
BLADE	49-50
R.H. CONSOLE	51-52
L.H. CONSOLE	53-54
CONTROL CONSOLE	55-58
THROTTLE CONTROLS	55-56
CONTROLS	57-66
HYDRAULIC CIRCUITRY	67-160
HYDRAULIC CIRCUITRY	67-72
PISTON PUMP ASSY	73-74
HYDRAULIC CIRCUITRY	75-76
GEAR PUMP	77-78
HYDRAULIC CIRCUITRY	79-94
FUNCTION HOSES	95-96
HYDRAULIC VALVE	97-98
HYDRAULIC CIRCUITRY	99-100
MANIFOLD ASSY.	101-102
HYDRAULIC RESERVOIR	103-104
ISO/STD	105-106
JOYSTICK/PILOT HYDRAULICS	107-108
SWIVEL JOINT	109-110
R.H. JOYSTICK	111-112
L.H. JOYSTICK	113-114
TRAVEL MOTOR	115-118
SWING MOTOR	119-120
MOUNT ASSY.	121-122
CROSSPORT RELIEF VALVE	123-124
HYDRAULIC VALVE	125-128
VALVE SECTION	129-148
ARM CYLINDER	149-150
BLADE CYLINDER	151-152
BOOM CYLINDER	153-154
BUCKET CYLINDER	155-156
SWING CYLINDER	157-158
CLAMP CYLINDER	159-160
ELECTRICAL SYSTEMS	161-168
ELECTRICAL	161-164
STARTER	165-166
ALTERNATOR	167-168
POWER UNIT	169-214
ENGINE & ATTACHING PARTS	169-174
CRANKCASE	175-176
OIL PAN	177-178
CYLINDER HEAD	179-180
GEAR CASE	181-182
HEAD COVER	183-184

325G/328G - SERIES CONTENTS (Cont'd)

POWER UNIT (CONT'D)	169-214
PISTON & CRANKSHAFT	185-186
CAMSHAFT	187-188
FUEL CAMSHAFT	189-190
ENGINE STOP LEVER	191-192
INJECTION PUMP	193-194
GOVERNOR	195-196
SPEED CONTROL PLATE	197-198
NOZZLE HOLDER & GLOW PLUG	199-200
WATER FLANGE & THERMOSTAT	201-202
WATER PUMP	203-204
FAN	205-206
VALVE & ROCKER ARM	207-208
MANIFOLDS	209-210
FUEL PUMP	211-212
AIR CLEANER	213-214
ACCESSORIES & OPTIONS	218-335
AUGER	218-233
AUGER MOUNTING KIT	234-235
HYDRAULIC MOTOR	236-241
BREAKER MOUNTING KIT	242-251
BLOCK HEATER	252-253
BUCKETS	254-257
CAB LIGHT KIT	258-259
CANOPY ENCLOSURE KIT	260-263
CHARGE KIT	264-267
CLAMP	268-269
COMPACTOR	270-271
COUNTERWEIGHT KIT	272-273
DECALS	274-275
DIRECT TO TANK KIT	276-277
GRAPPLE	278-279
HVAC	280-283
HEATER	284-285
HYDRA-TILT	286-287
HYDRA-TILT CYLINDER	288-289
HYDRAULIC BREAKER	290-303
HYDRAULIC BREAKER TOOLS	304-307
KEYLESS IGNITION KIT	308-309
LONG ARM KIT	310-311
MOTION ALARM KIT	312-313
POWERTILT	314-317
SELECTOR VALVE ASSY	318-319
STEEL TRACK KIT	320-321
TANK HEATER KIT	322-325
WIDE LINK KIT	326-327
X-CHANGE [™]	328-329
X-CHANGE [™] BREAKER MOUNTING KIT	330-333
BULK ITEMS	334-335
NUMERICAL INDEX	336-382
NUMERICAL INDEX	336-382

325G/328G - SERIES CONTENTS

MAIN FRAME	9-30
MAINTENANCE ITEM	9-10
MAINTENANCE SCHEDULE	11-12
OPERATOR CAB	13-14
INSULATION	15-16
UPPERSTRUCTURE LOCK	17-18
OPERATOR CAB	19-24
OPERATOR AREA & SEAT	25-26
R.H. COVER	27-28
TAILGATE	29-30
UNDERCARRIAGE	31-40
RECOIL SPRING	31-34
FRONT IDLER	35-36
TRACK ROLLER	37-38
TRACKS	39-40
WORK EQUIPMENT	41-54
ARM & BUCKET LINK	41-42
X-CHANGE®	43-44
BOOM	45-46
SWING FRAME	47-48
BLADE	49-50
R.H. CONSOLE	51-52
L.H. CONSOLE	53-54
CONTROL CONSOLE	55-58
THROTTLE CONTROLS	55-56
CONTROLS	57-66
HYDRAULIC CIRCUITRY	67-160
HYDRAULIC CIRCUITRY	67-72
PISTON PUMP ASSY	73-74
HYDRAULIC CIRCUITRY	75-76
GEAR PUMP	77-78
HYDRAULIC CIRCUITRY	79-94
FUNCTION HOSES	95-96
HYDRAULIC VALVE	97-98
HYDRAULIC CIRCUITRY	99-100
MANIFOLD ASSY.	101-102
HYDRAULIC RESERVOIR	103-104
ISO/STD	105-106
JOYSTICK/PILOT HYDRAULICS	107-108
SWIVEL JOINT	109-110
R.H. JOYSTICK	111-112
L.H. JOYSTICK	113-114
TRAVEL MOTOR	115-118
SWING MOTOR	119-120
MOUNT ASSY.	121-122
CROSSPORT RELIEF VALVE	123-124
HYDRAULIC VALVE	125-128
VALVE SECTION	129-148
ARM CYLINDER	149-150
BLADE CYLINDER	151-152
BOOM CYLINDER	153-154
BUCKET CYLINDER	155-156
SWING CYLINDER	157-158
CLAMP CYLINDER	159-160
ELECTRICAL SYSTEMS	161-168
ELECTRICAL	161-164
STARTER	165-166
ALTERNATOR	167-168
POWER UNIT	169-214
ENGINE & ATTACHING PARTS	169-174
CRANKCASE	175-176
OIL PAN	177-178
CYLINDER HEAD	179-180
GEAR CASE	181-182
HEAD COVER	183-184

325G/328G - SERIES CONTENTS (Cont'd)

POWER UNIT (CONT'D)	169-214
PISTON & CRANKSHAFT	185-186
CAMSHAFT	187-188
FUEL CAMSHAFT	189-190
ENGINE STOP LEVER	191-192
INJECTION PUMP	193-194
GOVERNOR	195-196
SPEED CONTROL PLATE	197-198
NOZZLE HOLDER & GLOW PLUG	199-200
WATER FLANGE & THERMOSTAT	201-202
WATER PUMP	203-204
FAN	205-206
VALVE & ROCKER ARM	207-208
MANIFOLDS	209-210
FUEL PUMP	211-212
AIR CLEANER	213-214
ACCESSORIES & OPTIONS	218-335
AUGER	218-233
AUGER MOUNTING KIT	234-235
HYDRAULIC MOTOR	236-241
BREAKER MOUNTING KIT	242-251
BLOCK HEATER	252-253
BUCKETS	254-257
CAB LIGHT KIT	258-259
CANOPY ENCLOSURE KIT	260-263
CHARGE KIT	264-267
CLAMP	268-269
COMPACTOR	270-271
COUNTERWEIGHT KIT	272-273
DECALS	274-275
DIRECT TO TANK KIT	276-277
GRAPPLE	278-279
HVAC	280-283
HEATER	284-285
HYDRA-TILT	286-287
HYDRA-TILT CYLINDER	288-289
HYDRAULIC BREAKER	290-303
HYDRAULIC BREAKER TOOLS	304-307
KEYLESS IGNITION KIT	308-309
LONG ARM KIT	310-311
MOTION ALARM KIT	312-313
POWERTILT	314-317
SELECTOR VALVE ASSY	318-319
STEEL TRACK KIT	320-321
TANK HEATER KIT	322-325
WIDE LINK KIT	326-327
X-CHANGE [™]	328-329
X-CHANGE [™] BREAKER MOUNTING KIT	330-333
BULK ITEMS	334-335
NUMERICAL INDEX	336-382
NUMERICAL INDEX	336-382

GENERAL INFORMATION

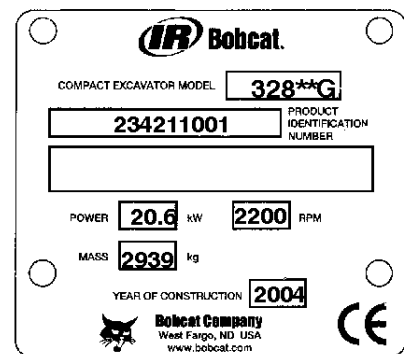
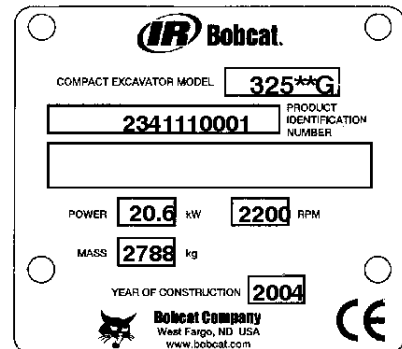
When using the machine serial number, use the complete number.

Some Serial Number breaks are not available at time of printing. These are listed as & Below or & Above.

The number shown in the quantity column in this manual is the number of parts needed for the illustration on the page. For some parts an "x" will be shown in the quantity column. This "x" indicates that the quantity to be used is "As Needed".

When references L.H. and R.H. are used in this manual, it is done from the operator's seat in the forward operating position.

Some of the illustrations and information found in this parts manual were supplied to Bobcat by machine component companies.



ABBREVIATIONS & SYMBOLS

SALES = Order from Gwinner Sales Department

NSS = Not Serviced Separately

NAP = Not Available as Parts

*** = Changed or Added Sections, Pages or Part Numbers**

Disposition Code Definition (Found in the Remarks Column)

[A] = Use Up

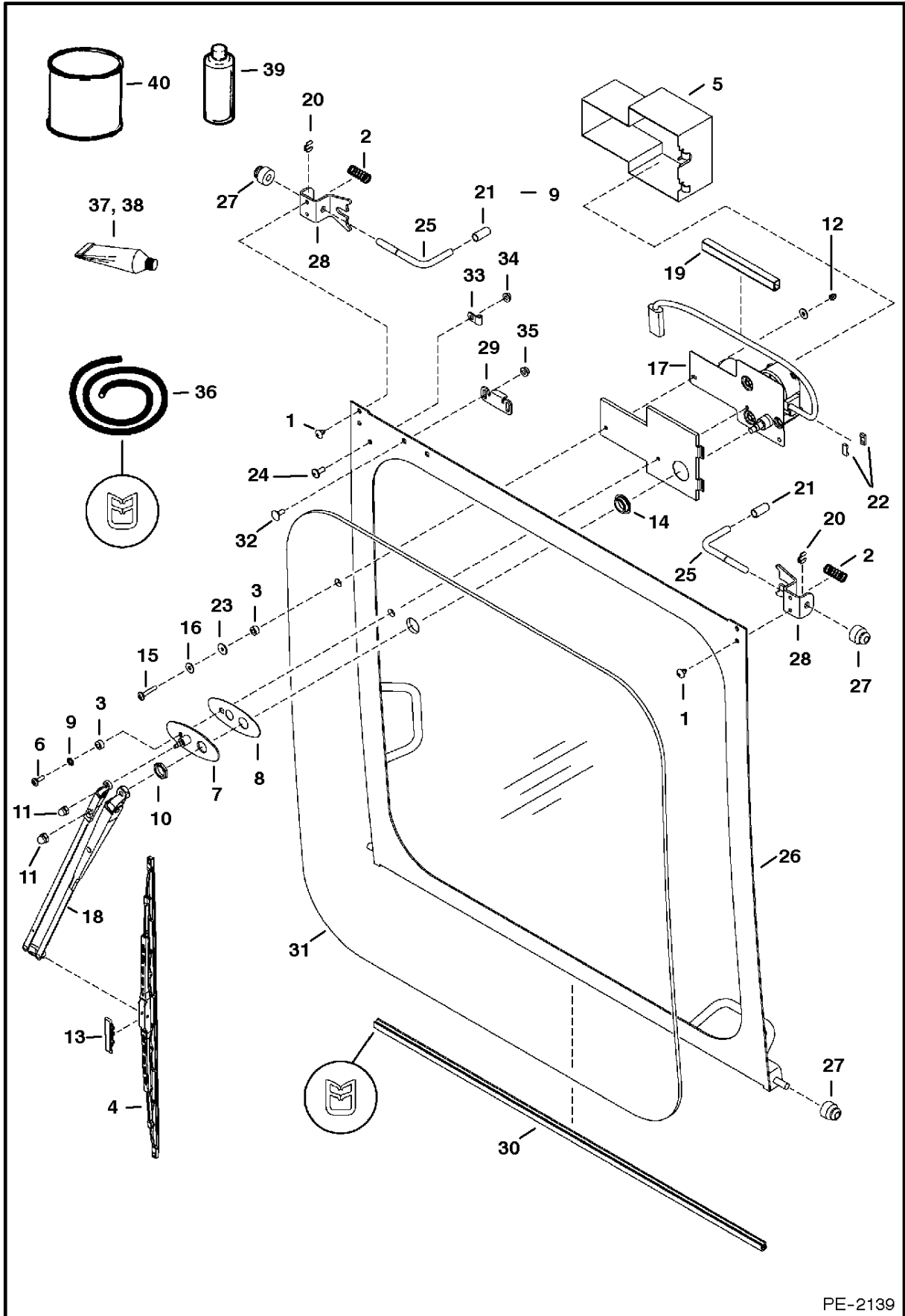
[B] = Use Up on Other Application (See PNI)

[C] = File PDR Report With Bobcat Parts Sales

[D] = Part Number Error

Explications en francais	Grid Nb	3
Erklärungen auf deutsch	Grid Nb	4
Spiegazioni in italiano	Grid Nb	5
Explicaciones en espanol	Grid Nb	6
Verklaring in het Nederlands	Grid Nb	7

OPERATOR CAB (Front Window)

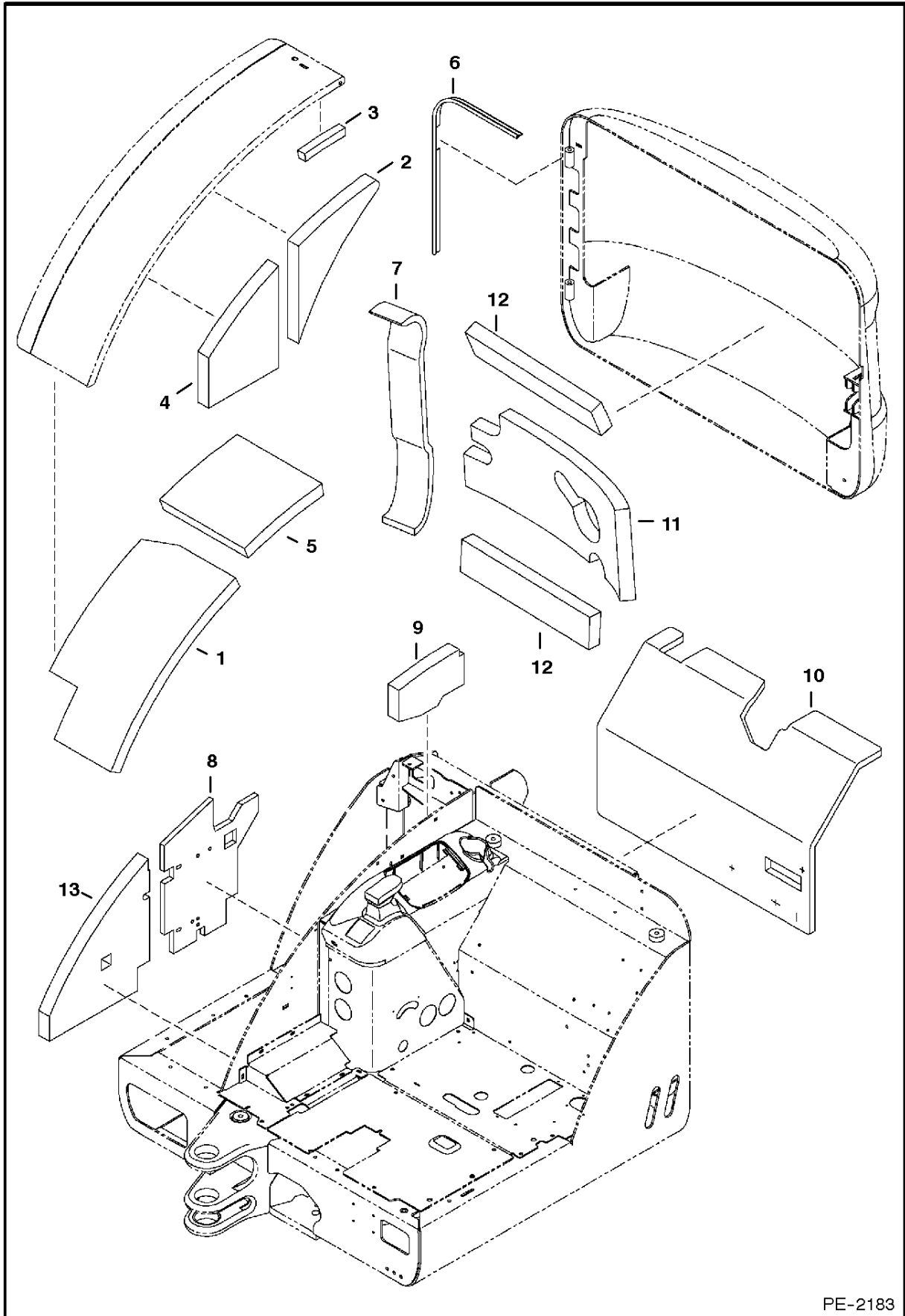


PE-2139

OPERATOR CAB

Ref.N°	Part N°	Description	Remarks	Serial N°	Qty.
1	6589675	SCREW			4
2	6610082	SPRING			2
3	6664085	BUSHING			2
4	6677834	BLADE			1
5	6677836	MOTOR			1
6	6677837	BOLT			1
7	6677839	GASKET			1
8	6677840	SWIVEL ASSY			1
9	6677841	WASHER			1
10	6677842	NUT			1
11	6677843	NUT			1
12	6677844	NUT			2
13	6677845	ADAPTER			1
14	6677847	GROMMET			1
15	6678198	BOLT			1
16	6678739	WASHER			2
17	6679476	MOTOR			1
18	6680180	ARM			1
19	6680971	RETAINER			1
20	6681651	RING			2
21	6681652	CAP			2
22	6730849	SEAL			2
23	6801059	WASHER			1
24	6803202	SCREW			1
25	6812413	PIN			2
26	6812416	WINDOW			1
27	6813028	ROLLER			4
28	6814423	BRACKET			2
29	6816437	BRACKET			1
30	NAP	SEAL	use 33" of Ref. OPERATOR CAB(36)		1
31	7101204	WINDOW	front		1
32	21CM-616	BOLT			2
33	30H-10	CLAMP			1
34	43DM-6	NUT			2
35	51DM-6	NUT			2
36	6682492	EDGE TRIM			2
37	6808882	ADHESIVE			1
38	6808881	DEGREASER			1
39	6818073	CLEANER			1
40	6818074	PRIMER	black		1

INSULATION

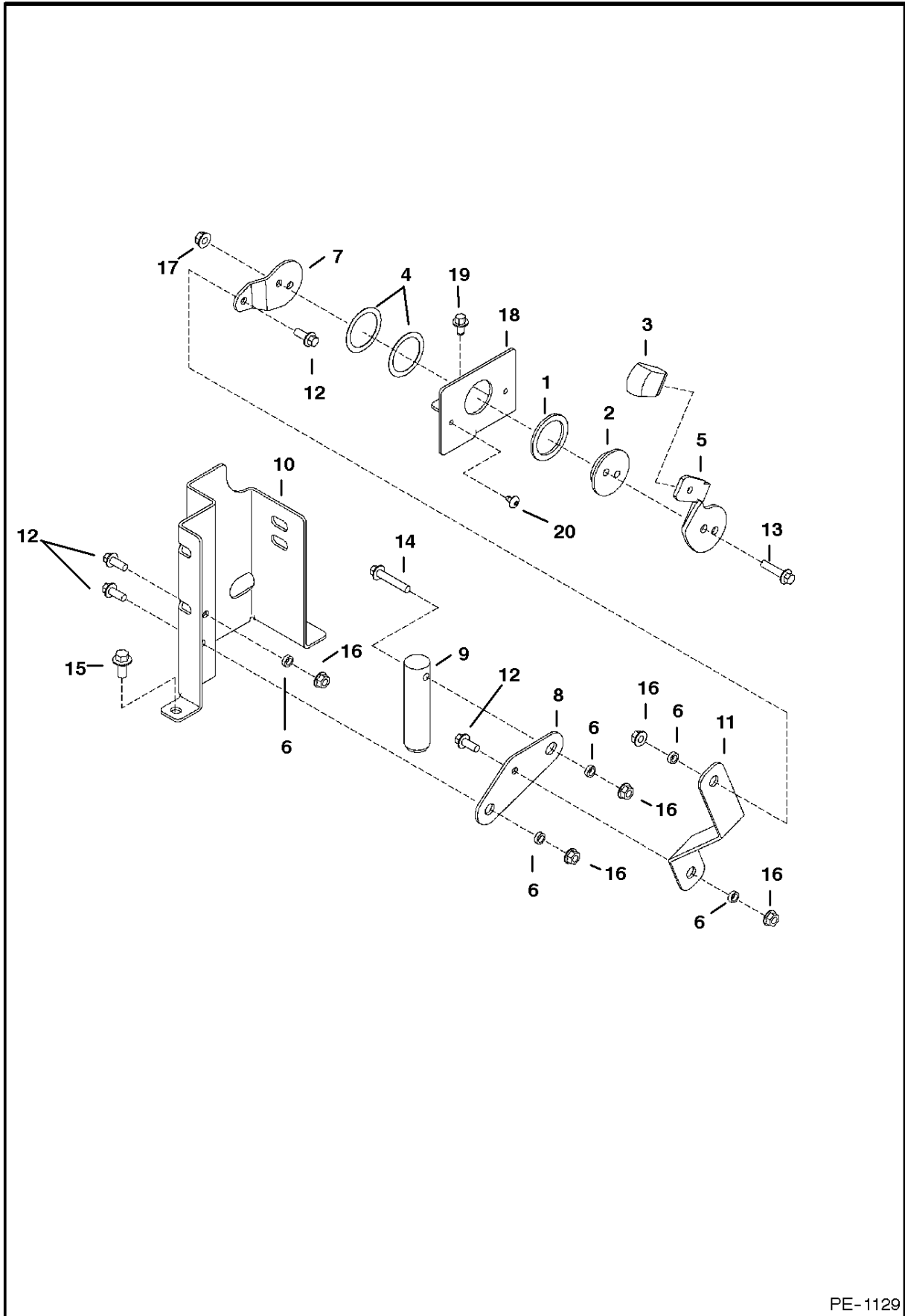


PE-2183

INSULATION

Ref.N°	Part N°	Description	Remarks	Serial N°	Qty.
1	6808484	INSULATION			1
2	6808485	INSULATION			1
3	6808497	SEAL	foam		1
4	6809269	INSULATION			1
5	6809270	INSULATION			1
6	6809978	SEAL	tailgate		1
7	6815951	SEAL	foam		1
8	6816967	INSULATION			1
9	6816968	INSULATION			1
10	6817212	INSULATION			1
11	6817713	INSULATION	tailgate		1
12	6817716	INSULATION			2
13	7101279	INSULATION			1

UPPERSTRUCTURE LOCK

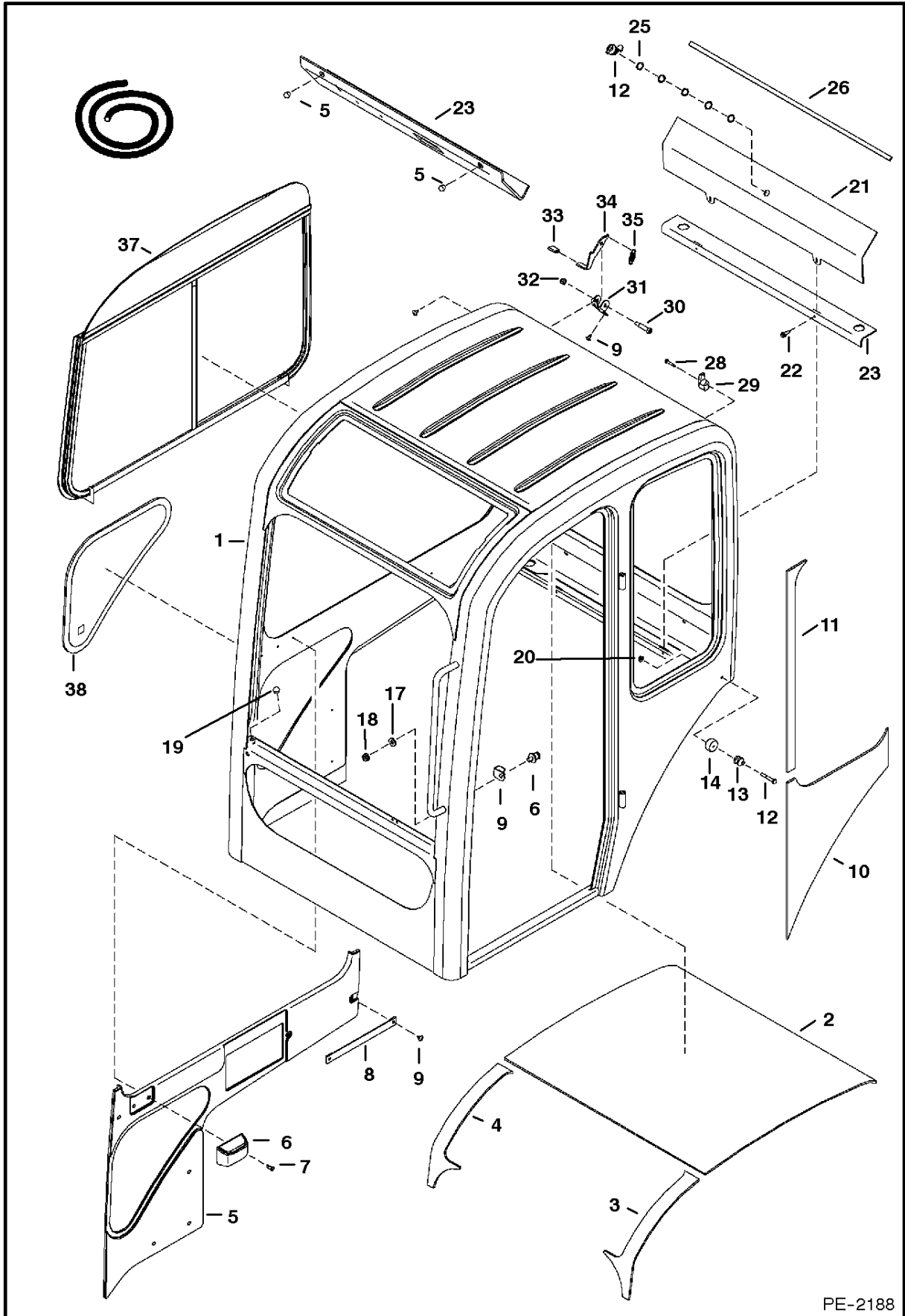


PE-1129

UPPERSTRUCTURE LOCK

Ref.N°	Part N°	Description	Remarks	Serial N°	Qty.
1	6567962	WASHER			1
2	6567963	SPACER			1
3	6586856	KNOB	lever		1
4	6630945	WASHER			2
5	6717393	LEVER	lock		1
6	6807220	SPACER			5
7	6808596	LEVER			1
8	6808597	LEVER			1
9	6808598	PIN			1
10	6808599	BRACKET			1
11	6809086	LINK			1
12	29CM-820	BOLT			4
13	29CM-835	SCREW			2
14	29CM-845	SCREW			1
15	26GM-10020	SCREW			2
16	43DM-8	NUT			6
17	51DM-8	NUT			2
18	6809675	BRACKET			1
19	26GM-8016	SCREW			2
20	6589675	SCREW			2

OPERATOR CAB



PE-2188

OPERATOR CAB

Ref.N°	Part N°	Description	Remarks	Serial N°	Qty.
1	6812035	CAB			1
2	6816185	INSULATION	roof		1
3	6818362	INSULATION	R.H. - front		1
4	6818275	INSULATION	R.H. - front		1
5	7101010	INSULATION	right		1
6	6664075	ASH TRAY			1
7	6706517	SCREW			1
8	6589347	STRAP	elastic		1
9	6589675	SCREW			4
10	6816187	INSULATION	side		1
11	6816189	INSULATION			1
12	17C-428	BOLT			1
13	6675385	PLUG			1
14	6808446	SPACER			1
15	6654170	STRIKER BOLT			1
16	6664083	COVER			1
17	27E-6	WASHER			1
18	55D-7	NUT			1
19	6597572	BUMPER			4
20	55D-4	NUT			1
21	6816342	COVER	rear		1
22	26GM-6020	SCREW			2
23	6817521	PAD			1
24	6681922	LATCH			1
25	6536802	WASHER			5
26	NAP	SEAL	use 34" of Ref. OPERATOR (27)		1
27	6648416	SEAL	bulk - sold per foot		x
28	6808424	SCREW			1
29	6658289	HOOK	coat		1
30	38C-620	SCREW			1
31	6814724	CHANNEL			1
32	59D-5	NUT	lock		1
33	6677500	COVER	lever		1
34	6814721	HANDLE	latch		1
35	6714210	SPRING			2
36	6816186	INSULATION	rear		1
37	7100571	WINDOW	assy - side		1
37	6685773	WINDOW	front		1
37	6685772	WINDOW	rear		1
37	6685774	WINDOW	center w/frame		1
37	6679641	LATCH KIT			2
38	6811792	WINDOW	R.H.		1
39	6816341	SEAL			1

Buy Now



Our support email:

ebooklibonline@outlook.com