

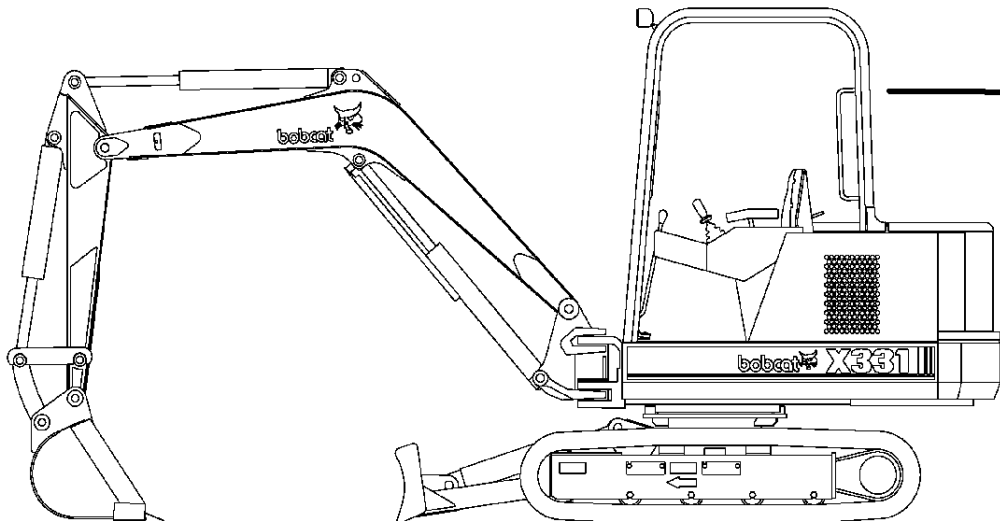
**331**



**Bobcat®**

# Parts Manual

**S/N 511920001 & Above**



## 331 ALPHABETICAL INDEX

ACCUMULATOR. ....	94, 96, 102, 106, 126
AIR CLEANER. ....	237
ALTERNATOR. ....	190, 192, 198
ANTI-FREEZE. ....	322
ARM. ....	76
ARM REST. ....	82
ARM, WIPER. ....	28
AUGER. ....	240, 254
BEARING, CAMSHAFT. ....	218
BEARING, CRANKSHAFT. ....	216
BEARING, ROD. ....	216
BEARING, SWING. ....	56
BELL HOUSING. ....	203
BELLY PAN KIT. ....	264
BLOCK, ENGINE. ....	214
BRACKET, SWING. ....	74
BREAKER MOUNTING KIT. ....	265, 270
BREAKER. ....	294, 304
BUCKET. ....	272, 273
BUCKET LINK. ....	76
CAB. ....	20, 24
CAB DOOR. ....	40
CAB HARNESS. ....	28
CABLE, BLADE. ....	88
CANOPY. ....	18
CORE, HEATER. ....	44, 46
COUPLER, AUXILIARY. ....	120
COVER, FRONT ENG.. ....	212
CRANKCASE. ....	214
CRANKSHAFT. ....	216
CYLINDER, ARM. ....	120, 166
CYLINDER, BLADE. ....	80, 110, 170
CYLINDER, BOOM SWING. . .	110, 182, 184
CYLINDER, BOOM. ....	120, 174, 176
CYLINDER, BUCKET. ....	120, 180
CYLINDER, GAS SPRING. ....	14, 28
DECALS. ....	283, 285, , 287, 288
DIPSTICK, ENGINE. ....	210
DOME LIGHT. ....	24
DOOR, CAB. ....	40
DRIVE MOTOR. ....	112, 116, 134
ENGINE. ....	202
EXHAUST PURIFIER. ....	202
FAN, ENGINE. ....	204
FILTER, AIR CLEANER. ....	237
FILTER, ENG. OIL. ....	212
FLOORMAT. ....	20, 82
FLYWHEEL. ....	203
FRONT IDLER. ....	56
FRONT WINDOW. ....	28
FUEL CAMSHAFT. ....	219
FUEL FILTER. ....	228
FUEL PUMP. ....	228
FUEL TANK. ....	16, 228
FUSE HOLDER. ....	24
GASKET KIT, ENG. ....	234, 236
GUARD, FAN. ....	198
HEAD, CYLINDER. ....	209
HEATER. ....	20, 44, 46
HEATER HOSE. ....	20
HOSE, INTAKE. ....	237
HOUSING, THERMOSTAT. ....	225
HYD/HYDRO FLUID. ....	322
HYDRAULIC TANK. ....	228
IDLER, FRONT. ....	56
INJECTION PUMP. ....	226, 229
JOYSTICK. ....	94, 96, 98, 100, 128, 130
KIT, BELLY PAN. ....	264
KIT, BREAKER MOUNTING. ....	265, 270
KIT, DECAL. ....	288
KIT, RUBBER TRACK. ....	58
KIT, STEEL TRACK. ....	59
KIT, TANK HEATER. ....	318, 319
KIT, WORK LIGHT. ....	320
LEVER, BLADE. ....	88
LEVER, ENG. STOP. ....	223
LEVER, GOVERNOR. ....	220
LEVER, SPEED. ....	221
LEVER, TRAVEL. ....	92
LIGHT. ....	26
LUBRICANT. ....	322
MANIFOLD, DRAIN. ....	106, 108
MANIFOLD, INT & EXH. ....	224
MANIFOLD, SUPPLY. ....	102
MOTOR, HEATER. ....	44, 46
OIL. ....	322
OIL COOLER. ....	106
OIL PAN. ....	210
OIL PUMP, ENG. ....	214
PAINT. ....	322
PISTON, ENGINE. ....	216
PUMP. ....	102, 148
PUMP, WATER. ....	222
ROLLER. ....	67, 69
ROLLER, TRACK. ....	56
RUBBER TRACK KIT. ....	58
SEAT BELT. ....	82
SEAT, OPERATOR. ....	48
SHUTTLE VALVE. ....	112, 116
STARTER. ....	194, 196, 203
STEEL TRACK KIT. ....	59
SWING BEARING. ....	56
SWING MOTOR. ....	108, 144
SWING TRANSMISSION. ....	142
SWITCH, HEATER. ....	44, 46
SWITCH, WIPER/WASHER. ....	24
SWIVEL JOINT. ....	106, 108, 110, 112, 122, 124
TANK HEATER. ....	318, 319
TRACK ROLLER. ....	56, 67, 69
TRACK SPROCKET. ....	56
TRANSMISSION, SWING. ....	142
TRAVEL MOTOR. ....	112, 116, 134
TWO SPEED VALVE. ....	132
VALVE COVER. ....	206
VALVE SECTION. ....	150, 162
VALVE, 3 SPOOL. ....	158
VALVE, 6 SPOOL. ....	149
VALVE, BUILD-UP. ....	163
VALVE, CONTROL. . . . .	94, 96, 98, 100, 110
VALVE, INT & EXH. ....	208
VALVE, LOCKOUT. ....	94, 96, 139
VALVE, SELECTOR. ....	106, 118, 131
VALVE, SHUTTLE. ....	112, 116
VALVE, TWO SPEED. ....	132
WATER PUMP. ....	222
WINDOW WASHER. ....	20
WINDOW, FRONT. ....	28
WINDOW, R.H.. ....	36
WIPER BLADE. ....	28
WIPER MOTOR. ....	28
WIPER/WASHER SWITCH. ....	24
WORK LIGHT KIT. ....	320

## 331 CONTENTS

<b>MAIN FRAME</b> .....	<b>13-56</b>
UPPERSTRUCTURE, COUNTERWEIGHTS & SIDE COVERS .....	13-14
ENGINE COVERS & INSULATION .....	15-16
SIDE COVERS & TANKS .....	17-18
CANOPY AND MOUNTING .....	19-20
CAB MOUNTING .....	21-24
OPERATOR CAB .....	25-38
WINDOW ASSY .....	39-40
OPERATOR CAB (DOOR) .....	41-42
*OPERATOR CAB (DOOR) .....	43-44
HEATER .....	45-48
SEAT .....	49-56
<b>UNDERCARRIAGE</b> .....	<b>57-86</b>
UNDERCARRIAGE .....	57-58
TRACK DERAILING KIT .....	59-60
RUBBER TRACK KIT .....	61-62
STEEL TRACK KIT .....	63-64
RECOIL SPRING .....	65-68
FRONT IDLER (FOR ALL STEEL TRACKS & FOR RUBBER TRACKS ON EUROPEAN MODELS) .....	69-70
*FRONT IDLER (FOR ALL STEEL TRACKS & FOR RUBBER TRACKS ON EUROPEAN MODELS) .....	71-72
FRONT IDLER (FOR ALL RUBBER TRACKS - EXCEPT ON EUROPEAN MODELS) .....	73-74
*FRONT IDLER (FOR ALL RUBBER TRACKS - EXCEPT ON EUROPEAN MODELS) .....	75-76
TRACK ROLLER (FOR ALL STEEL TRACKS & FOR RUBBER TRACKS ON EUROPEAN MODELS) .....	77-78
TRACK ROLLER (FOR ALL RUBBER TRACKS - EXCEPT FOR EUROPEAN MODELS) .....	79-80
*TRACK ROLLER .....	81-82
TRACK ROLLER .....	83-84
TRACKS .....	85-86
<b>WORK EQUIPMENT</b> .....	<b>87-94</b>
SWING BRACKET .....	87-88
ARM & BUCKET LINK .....	89-90
BOOM .....	91-92
BLADE .....	93-94
<b>CONTROLS</b> .....	<b>95-214</b>
CONTROL CONSOLE, FLOORBOARDS AND SEAT .....	95-98
L.H. CONTROL CONSOLE .....	99-100
BLADE, BOOMSWING, AUXILIARY & THROTTLE CONTROLS .....	101-104
TRAVEL CONTROLS .....	105-106
L.H. JOYSTICK CONTROLS .....	107-110
R.H. JOYSTICK CONTROLS .....	111-114
HYDRAULIC CIRCUITRY .....	115-134
SWIVEL JOINT .....	135-138
ACCUMULATOR VALVE .....	139-140
R.H. JOYSTICK CONTROLS .....	141-142
L.H. JOYSTICK CONTROLS .....	143-144
SELECTOR VALVE .....	145-146
2 SPEED VALVE .....	147-148
TRAVEL MOTOR .....	149-154
CHECK VALVE .....	155-156
SWING TRANSMISSION .....	157-158
SWING MOTOR .....	159-160
CROSSOVER RELIEF VALVE .....	161-162
TRIPLE GEAR PUMP .....	163-164
6 SPOOL VALVE .....	165-166
VALVE SECTION (RIGHT HAND TRAVEL (6 SPOOL VALVE)) .....	167-168
VALVE SECTION (BOOM (6 SPOOL VALVE)) .....	169-170
VALVE SECTION (BUCKET (6 SPOOL VALVE)) .....	171-172
VALVE SECTION (AUXILIARY (6 SPOOL VALVE)) .....	173-174
VALVE SECTION (ARM (6 SPOOL VALVE)) .....	175-176
VALVE SECTION (LEFT HAND TRAVEL (6 SPOOL VALVE)) .....	177-178
END COVER (6 SPOOL VALVE) .....	179-182
3 SPOOL VALVE .....	183-184
VALVE SECTION (HOUSE SWING (3 SPOOL VALVE)) .....	185-186
VALVE SECTION (BLADE (3 SPOOL VALVE)) .....	187-188
VALVE SECTION (BOOM SWING (3 SPOOL VALVE)) .....	189-190
END COVER (3 SPOOL VALVE) .....	191-194
ARM CYLINDER .....	195-198

## 331 CONTENTS (Cont'd)

<b>CONTROLS (Cont'd)</b> .....	<b>95-214</b>
BLADE CYLINDER .....	199-202
BOOM CYLINDER .....	203-208
BUCKET CYLINDER .....	209-210
SWING CYLINDER .....	211-214
<b>ELECTRICAL SYSTEMS</b> .....	<b>215-226</b>
ELECTRICAL SYSTEMS .....	215-218
ALTERNATOR .....	219-222
STARTER .....	223-226
<b>POWER UNIT</b> .....	<b>227-284</b>
RADIATOR, ALTERNATOR & AIR CLEANER MOUNTING .....	227-230
ENGINE MOUNTING & MUFFLER .....	231-232
FLYWHEEL .....	233-234
FAN & ALTERNATOR .....	235-236
ROCKER ARM COVER .....	237-238
ROCKER ARM & VALVES .....	239-240
CYLINDER HEAD .....	241-242
OIL PAN .....	243-244
GEARCASE .....	245-246
CRANKCASE .....	247-248
PISTON & CRANKSHAFT .....	249-250
MAIN BEARING CASE .....	251-252
CAMSHAFT .....	253-254
FUEL CAMSHAFT .....	255-256
GOVERNOR .....	257-258
SPEED CONTROL PLATE .....	259-260
WATER PUMP .....	261-262
STOP LEVER .....	263-264
MANIFOLDS .....	265-266
WATER FLANGE & THERMOSTAT .....	267-268
INJECTION PUMP .....	269-270
FUEL SYSTEM AND TANKS .....	271-272
INJECTOR PUMP .....	273-274
INJECTOR NOZZLES .....	275-276
NOZZLE HOLDER .....	277-278
UPPER GASKET KIT .....	279-280
LOWER GASKET KIT .....	281-282
AIR CLEANER .....	283-284
<b>ACCESSORIES &amp; OPTIONS</b> .....	<b>289-386</b>
AUGER .....	289-302
AUGER MOUNTING KIT .....	303-304
HYDRAULIC MOTOR .....	305-310
AUXILIARY RELIEF KIT .....	311-312
BELLY PAN KIT .....	313-314
BREAKER MOUNTING KIT (2500X & 3500X BREAKER) .....	315-316
2500/3500 BREAKER MOUNTING PACK .....	317-318
BREAKER MOUNTING KIT (2560, 3560, 2570 & 3570 BREAKER) .....	319-320
PORT RELIEF KIT .....	321-322
BUCKET .....	323-326
BUCKET TEETH .....	327-328
CAB DOOR KIT .....	329-330
CAB ENCLOSURE .....	331-332
CHARGE KIT .....	333-334
CLAMP .....	335-336
CROSSPORT RELIEF VALVE KIT .....	337-338
CROSSPORT RELIEF VALVE .....	339-340
DECALS .....	341-348
FOPS KIT .....	349-350
HYDRAULIC BREAKER (2500) .....	351-354
HYDRAULIC BREAKER (2560 & 2570) .....	355-358
HYDRAULIC BREAKER TOOLS .....	359-360
HYDRAULIC BREAKER (3500) .....	361-364
YDRAULIC BREAKER 32560 & 3570) .....	365-367
OPERATOR HANDBOOK KIT .....	369-370
RAINGUARD KIT .....	371-372
SELECTOR VALVE ASSY .....	373-374

## 331 CONTENTS (Cont'd)

<b>ACCESSORIES &amp; OPTIONS (Cont'd)</b> .....	<b>287-386</b>
SPECIAL APPLICATION KIT .....	375-378
TANK HEATER KIT .....	379-382
WORK LIGHT KIT .....	383-384
BULK ITEMS .....	385-386
<b>NUMERICAL INDEX</b> .....	<b>387</b>

## 331 CONTENTS

<b>MAIN FRAME</b> .....	<b>13-56</b>
UPPERSTRUCTURE, COUNTERWEIGHTS & SIDE COVERS .....	13-14
ENGINE COVERS & INSULATION .....	15-16
SIDE COVERS & TANKS .....	17-18
CANOPY AND MOUNTING .....	19-20
CAB MOUNTING .....	21-24
OPERATOR CAB .....	25-38
WINDOW ASSY .....	39-40
OPERATOR CAB (DOOR) .....	41-42
*OPERATOR CAB (DOOR) .....	43-44
HEATER .....	45-48
SEAT .....	49-56
<b>UNDERCARRIAGE</b> .....	<b>57-86</b>
UNDERCARRIAGE .....	57-58
TRACK DERAILING KIT .....	59-60
RUBBER TRACK KIT .....	61-62
STEEL TRACK KIT .....	63-64
RECOIL SPRING .....	65-68
FRONT IDLER (FOR ALL STEEL TRACKS & FOR RUBBER TRACKS ON EUROPEAN MODELS) .....	69-70
*FRONT IDLER (FOR ALL STEEL TRACKS & FOR RUBBER TRACKS ON EUROPEAN MODELS) .....	71-72
FRONT IDLER (FOR ALL RUBBER TRACKS - EXCEPT ON EUROPEAN MODELS) .....	73-74
*FRONT IDLER (FOR ALL RUBBER TRACKS - EXCEPT ON EUROPEAN MODELS) .....	75-76
TRACK ROLLER (FOR ALL STEEL TRACKS & FOR RUBBER TRACKS ON EUROPEAN MODELS) .....	77-78
TRACK ROLLER (FOR ALL RUBBER TRACKS - EXCEPT FOR EUROPEAN MODELS) .....	79-80
*TRACK ROLLER .....	81-82
TRACK ROLLER .....	83-84
TRACKS .....	85-86
<b>WORK EQUIPMENT</b> .....	<b>87-94</b>
SWING BRACKET .....	87-88
ARM & BUCKET LINK .....	89-90
BOOM .....	91-92
BLADE .....	93-94
<b>CONTROLS</b> .....	<b>95-214</b>
CONTROL CONSOLE, FLOORBOARDS AND SEAT .....	95-98
L.H. CONTROL CONSOLE .....	99-100
BLADE, BOOMSWING, AUXILIARY & THROTTLE CONTROLS .....	101-104
TRAVEL CONTROLS .....	105-106
L.H. JOYSTICK CONTROLS .....	107-110
R.H. JOYSTICK CONTROLS .....	111-114
HYDRAULIC CIRCUITRY .....	115-134
SWIVEL JOINT .....	135-138
ACCUMULATOR VALVE .....	139-140
R.H. JOYSTICK CONTROLS .....	141-142
L.H. JOYSTICK CONTROLS .....	143-144
SELECTOR VALVE .....	145-146
2 SPEED VALVE .....	147-148
TRAVEL MOTOR .....	149-154
CHECK VALVE .....	155-156
SWING TRANSMISSION .....	157-158
SWING MOTOR .....	159-160
CROSSOVER RELIEF VALVE .....	161-162
TRIPLE GEAR PUMP .....	163-164
6 SPOOL VALVE .....	165-166
VALVE SECTION (RIGHT HAND TRAVEL (6 SPOOL VALVE)) .....	167-168
VALVE SECTION (BOOM (6 SPOOL VALVE)) .....	169-170
VALVE SECTION (BUCKET (6 SPOOL VALVE)) .....	171-172
VALVE SECTION (AUXILIARY (6 SPOOL VALVE)) .....	173-174
VALVE SECTION (ARM (6 SPOOL VALVE)) .....	175-176
VALVE SECTION (LEFT HAND TRAVEL (6 SPOOL VALVE)) .....	177-178
END COVER (6 SPOOL VALVE) .....	179-182
3 SPOOL VALVE .....	183-184
VALVE SECTION (HOUSE SWING (3 SPOOL VALVE)) .....	185-186
VALVE SECTION (BLADE (3 SPOOL VALVE)) .....	187-188
VALVE SECTION (BOOM SWING (3 SPOOL VALVE)) .....	189-190
END COVER (3 SPOOL VALVE) .....	191-194
ARM CYLINDER .....	195-198

## 331 CONTENTS (Cont'd)

<b>CONTROLS (Cont'd)</b> .....	<b>95-214</b>
BLADE CYLINDER .....	199-202
BOOM CYLINDER .....	203-208
BUCKET CYLINDER .....	209-210
SWING CYLINDER .....	211-214
<b>ELECTRICAL SYSTEMS</b> .....	<b>215-226</b>
ELECTRICAL SYSTEMS .....	215-218
ALTERNATOR .....	219-222
STARTER .....	223-226
<b>POWER UNIT</b> .....	<b>227-284</b>
RADIATOR, ALTERNATOR & AIR CLEANER MOUNTING .....	227-230
ENGINE MOUNTING & MUFFLER .....	231-232
FLYWHEEL .....	233-234
FAN & ALTERNATOR .....	235-236
ROCKER ARM COVER .....	237-238
ROCKER ARM & VALVES .....	239-240
CYLINDER HEAD .....	241-242
OIL PAN .....	243-244
GEARCASE .....	245-246
CRANKCASE .....	247-248
PISTON & CRANKSHAFT .....	249-250
MAIN BEARING CASE .....	251-252
CAMSHAFT .....	253-254
FUEL CAMSHAFT .....	255-256
GOVERNOR .....	257-258
SPEED CONTROL PLATE .....	259-260
WATER PUMP .....	261-262
STOP LEVER .....	263-264
MANIFOLDS .....	265-266
WATER FLANGE & THERMOSTAT .....	267-268
INJECTION PUMP .....	269-270
FUEL SYSTEM AND TANKS .....	271-272
INJECTOR PUMP .....	273-274
INJECTOR NOZZLES .....	275-276
NOZZLE HOLDER .....	277-278
UPPER GASKET KIT .....	279-280
LOWER GASKET KIT .....	281-282
AIR CLEANER .....	283-284
<b>ACCESSORIES &amp; OPTIONS</b> .....	<b>289-386</b>
AUGER .....	289-302
AUGER MOUNTING KIT .....	303-304
HYDRAULIC MOTOR .....	305-310
AUXILIARY RELIEF KIT .....	311-312
BELLY PAN KIT .....	313-314
BREAKER MOUNTING KIT (2500X & 3500X BREAKER) .....	315-316
2500/3500 BREAKER MOUNTING PACK .....	317-318
BREAKER MOUNTING KIT (2560, 3560, 2570 & 3570 BREAKER) .....	319-320
PORT RELIEF KIT .....	321-322
BUCKET .....	323-326
BUCKET TEETH .....	327-328
CAB DOOR KIT .....	329-330
CAB ENCLOSURE .....	331-332
CHARGE KIT .....	333-334
CLAMP .....	335-336
CROSSPORT RELIEF VALVE KIT .....	337-338
CROSSPORT RELIEF VALVE .....	339-340
DECALS .....	341-348
FOPS KIT .....	349-350
HYDRAULIC BREAKER (2500) .....	351-354
HYDRAULIC BREAKER (2560 & 2570) .....	355-358
HYDRAULIC BREAKER TOOLS .....	359-360
HYDRAULIC BREAKER (3500) .....	361-364
YDRAULIC BREAKER 32560 & 3570) .....	365-367
OPERATOR HANDBOOK KIT .....	369-370
RAINGUARD KIT .....	371-372
SELECTOR VALVE ASSY .....	373-374

## 331 CONTENTS (Cont'd)

<b>ACCESSORIES &amp; OPTIONS (Cont'd)</b> .....	<b>287-386</b>
SPECIAL APPLICATION KIT .....	375-378
TANK HEATER KIT .....	379-382
WORK LIGHT KIT .....	383-384
BULK ITEMS .....	385-386
<b>NUMERICAL INDEX</b> .....	<b>387</b>



# GENERAL INFORMATION

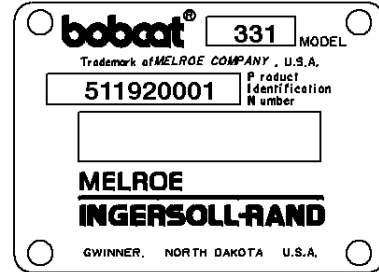
When using the machine serial number, use the complete number.

Some Serial Number breaks are not available at time of printing. These are listed as & Below or & Above.

The number shown in the quantity column in this manual is the number of parts needed for the illustration on the page. For some parts an "x" will be shown in the quantity column. This "x" indicates that the quantity to be used is "As Needed".

When references L.H. and R.H. are used in this manual, it is done from the operator's seat in the forward operating position.

Some of the illustrations and information found in this parts manual were supplied to Bobcat y by machine component companies.



## ABBREVIATIONS & SYMBOLS

**SALES = Order from Gwinner Sales Department**

**NSS = Not Serviced Separately**

**NAP = Not Available as Parts**

**\* = Changed or Added Sections, Pages or Part Numbers**

**Disposition Code Definition (Found in the Remarks Column)**

**[A] = Use Up**

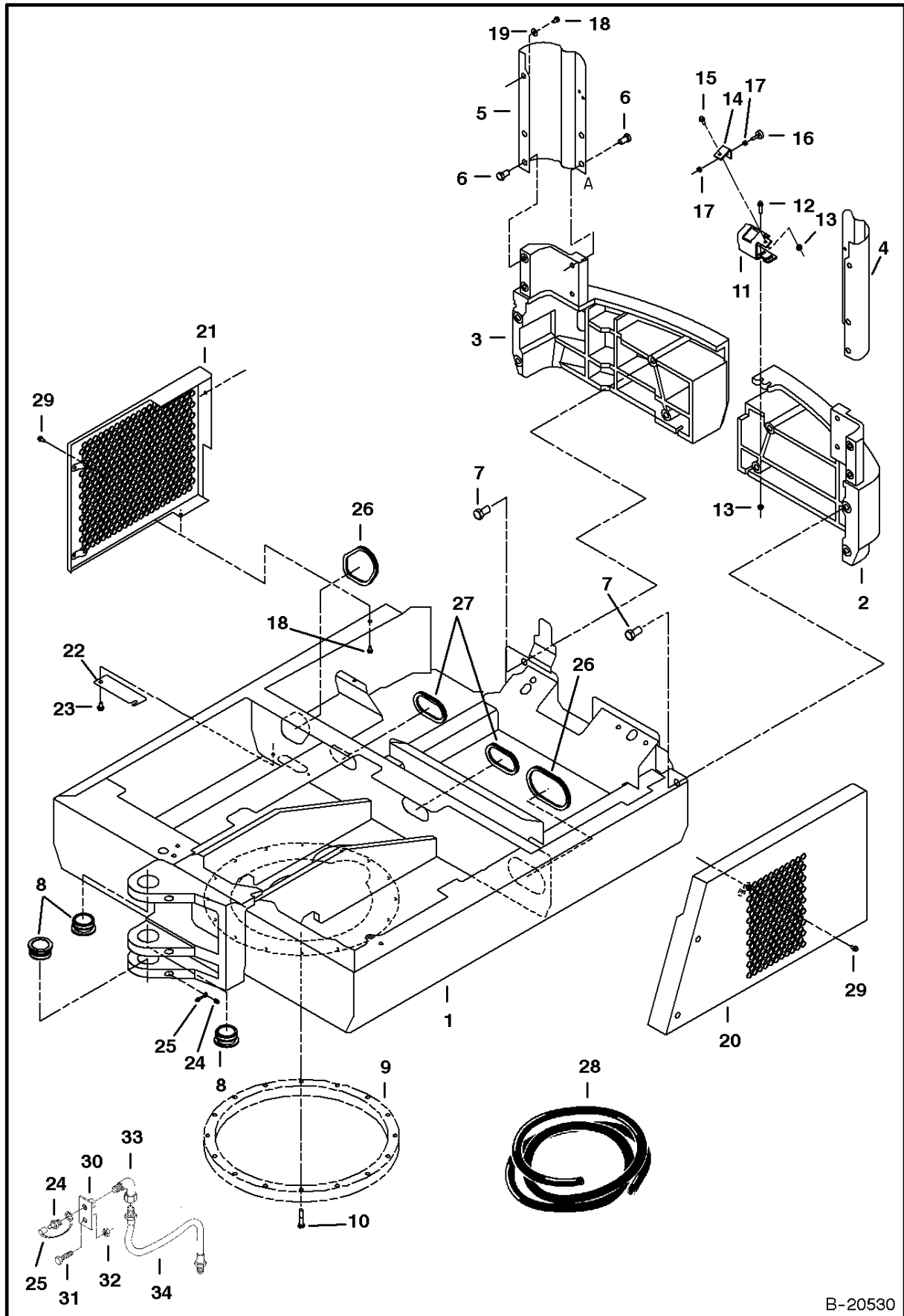
**[B] = Use Up on Other Application (See PNI)**

**[C] = File PDR Report With Bobcat Parts Sales**

**[D] = Part Number Error**

Explications en francais	Grid Nb	3
Erklärungen auf deutsch	Grid Nb	4
Spiegazioni in italiano	Grid Nb	5
Explicaciones en espanol	Grid Nb	6
Verklaring in het Nederlands	Grid Nb	7

# UPPERSTRUCTURE, COUNTERWEIGHTS & SIDE COVERS

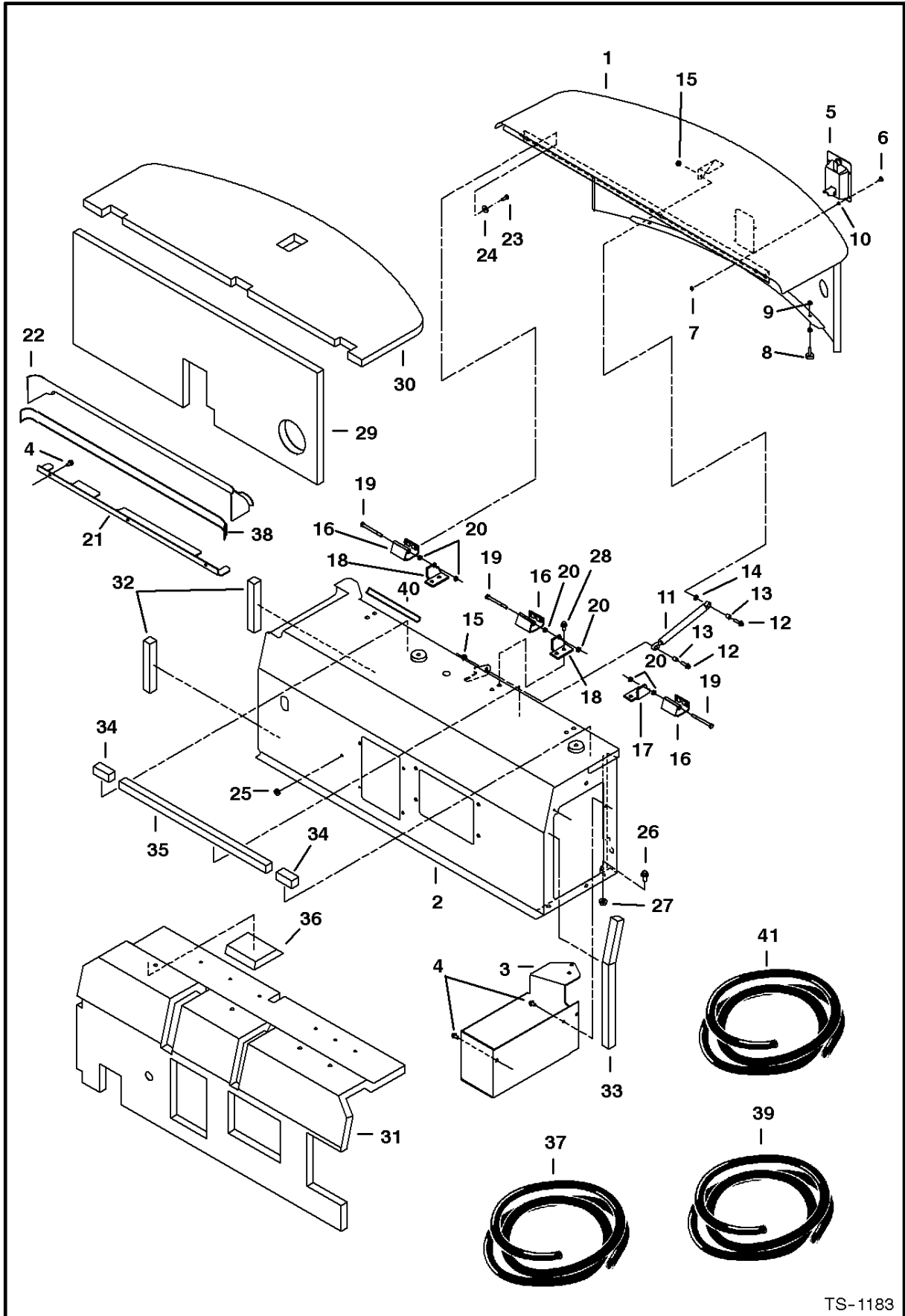


B-20530

## UPPERSTRUCTURE, COUNTERWEIGHTS &amp; SIDE COVERS

Ref.N°	Part N°	Description	Remarks	Serial N°	Qty.
1	6588459	UPPERSTRUCTUR E frame(01xXcom3T B}H~10{M			x
2	6588425	COUNTERWEIGHT	left hand		1
3	6588426	COUNTERWEIGHT	right hand		1
4	6587895	BUMPER	left hand		1
5	6588131	BUMPER	right hand		1
6	1CM-1630	BOLT			8
7	1CM-2040	BOLT			8
8	6588095	BUSHING			3
9		BEARING	swing - see page SEAT(49)		1
10	7CM-1260	SCREW			16
11	6589060	BRACKET	latch		1
12	29CM-840	BOLT			2
13	42DM-8	NUT			3
14	6588539	ANGLE			1
15	29CM-825	SCREW			1
16	6655399	BUMPER			1
17	61D-5	NUT			2
18	29CM-816	BOLT			2
19	17EM-80	WASHER			2
20	6588530	COVER	left hand		1
21	6588532	COVER	right hand		1
22	6539292	COVER			1
23	26GM-10020	SCREW	Was 29CM-1020 [B]		2
24	10H-25	GREASE ZERK			4
25	6652943	COVER, GREASE	grease fitting		4
26	NAP	MOULDING	18' (454 mm) long -Order Ref. UPPERSTRUCTURE , COUNTERWEIGHTS & SIDE COVERS(28)		2
27	NAP	MOULDING	12' (308mm) long - Order Ref. UPPERSTRUCTURE , COUNTERWEIGHTS & SIDE COVERS(28)		2
28	6659603	MOULDING	bulk - Order Per Foot		x
29	26GM-8016	SCREW			6
30	6586104	PLATE	Was 6583104[D]		1
31	29CM-1020	BOLT			1
32	1DM-10	NUT			1
33	26F-1	ELBOW			1
34	6531180	HOSE			1

# ENGINE COVERS & INSULATION



TS-1183

## ENGINE COVERS &amp; INSULATION

Ref.N°	Part N°	Description	Remarks	Serial N°	Qty.
1	6588526	COVER	engine		1
2	6588438	COVER			1
3	6588534	TOOL BOX			1
4	29CM-816	BOLT			5
5	6674239	LATCH	Was 6664447[A]		1
5	6587458	KEY SET			1
6	6587499	SCREW			4
7	49DM-6	NUT			4
8	6655399	BUMPER			2
9	61D-5	NUT			4
10	15EM-60	WASHER			4
11	6664262	CYLINDER	gas spring		1
12	29CM-830	SCREW			2
13	6588293	BUSHING			2
14	1EM-80	WASHER			1
15	42DM-8	NUT			2
16	6588133	HINGE	welded onto Ref. ENGINE COVERS & INSULATION(1) on later models		3
17	6589032	ANGLE(L.H.081<co m38-}H~10{M			1
18	6589033	ANGLE			2
19	1CM-890	BOLT			3
20	1DM-8	NUT			6
21	6588648	SUPPORT(081;com 3;}H~10{M			1
22	6588070	COVER(0818com3K B}H~10{M			1
23	1CM-820	BOLT			6
24	17EM-80	WASHER			6
25	515069	GROMMET			1
26	29CM-1225	SCREW			4
27	45DM-12	NUT			4
28	26GM-10020	SCREW	Was 29CM-1020 [B]		6
29	6588541	INSULATION			1
30	6588542	INSULATION			1
31	6588543	INSULATION			1
32	NAP	INSULATION	8' (206mm) long - Order Ref. ENGINE COVERS & INSULATION(37)		2
33	NAP	INSULATION	21' (500mm) long - Order Ref. ENGINE COVERS & INSULATION(37)		1
34	NAP	INSULATION	3' (76mm) long -Order Ref. ENGINE COVERS & INSUL ATION(37)		2
35	NAP	INSULATION	28' (712mm) long -Order Ref. ENGINE COVERS & INSULATION(37)		1
36	6589244	INSULATION			1
37	6554274	INSULATION	bulk - sold per foot		x
38	NAP	TAPE	double backed - for attaching Ref. ENGINE COVERS & INSULATION(22) to the Cab/Canopy - 48" (1220mm) long - Order Ref. ENGIN		2
39	6900669	TAPE	bulk - sold per foot - Was 6665212[A]		x
40	NAP	SEAL	drip rail - 12" (305mm) long - order Ref. ENGINE COVERS & INSULATION(41)		1
41	6670537	SEAL	bulk - sold per foot		x

**Buy Now**



Our support email:

[ebooklibonline@outlook.com](mailto:ebooklibonline@outlook.com)