

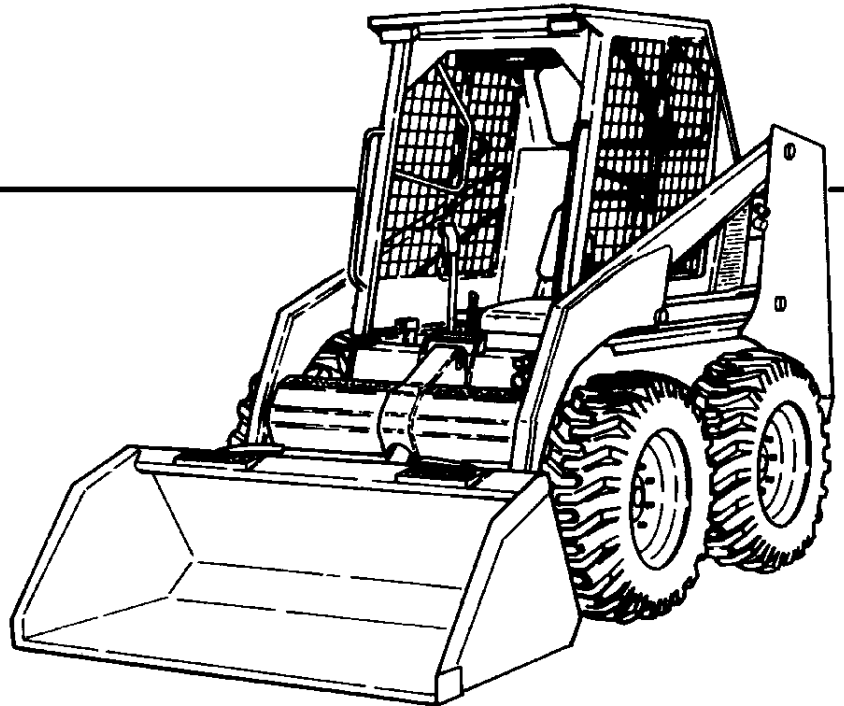
751



Bobcat®

Parts Manual

S/N 5157 11001 & Above
S/N 5156 11001 & Above



**EQUIPPED WITH
BOBCAT INTERLOCK
CONTROL SYSTEM (BICS™)**



751F ALPHABETICAL INDEX

ADHESIVE	300	LATCH, REAR DOOR	24
AIR CLEANER	130, 166	LEVER, PINTLE	90
ALTERNATOR	114, 122, 136	LIFT KITS	249, 250, 251
ANTI-FREEZE	300	LIGHTS, FRONT & REAR	254
AXLE	41	LOCK, REAR DOOR	272
BATTERY	112	LUBRICANT	300
BELT, ALTERNATOR	136	MAIN FRAME	12
BELT, COOLING FAN DRIVE	126	MANIFOLD	157
BELT, PUMP DRIVE	132	MOUNT, ENGINE	136
BLACK GOLD	300	MOUNT, HYDRO. PUMP	134, 136
BLOCK HEATER	176	MUFFLER	130
BOB-TACH	26, 30	OIL	300
CAB	14	OIL COOLER	88
CAB ENCLOSURE	190	PAINT	300
CABLE, BATTERY	112	PAN, OIL	150
CAMSHAFT	153, 154	PEDALS, CONTROL	61
CAP, FUEL	34	PISTON, ENGINE	152
CAP, HYD. OIL	84	POLISH	300
CAP, RADIATOR	126	PUMP, FUEL	34, 161
CHAIN, DRIVE	37	PUMP, GEAR	103
CHAINCASE	12, 37	PUMP, OIL	146
COOLING FAN DRIVE ASSY.	140	PUMP, WATER	155
COUNTER WEIGHTS	196	QUICK COUPLERS	226, 266
CYLINDER BLOCK	145	RIM, WHEEL	296
CYLINDER, LIFT	59	RING GEAR	134
CYLINDER, TILT	56, 58	SEALANT	300
DECALS	198, 200	SEAT	18, 21, 290, 292, 294
DIPSTICK, ENG. OIL	150	SEAT BELT	18, 283
DOOR, REAR	24	SENSOR, FUEL	34
DRIVE MOUNT ASSY.	38	SHOCK CONTROLS	92
ENGINE	142	SOLENOID	112
EXTINGUISHER	222	SPROCKET, AXLE	37, 41
FAN	126	STARTER	112, 124
FILTER, AIR	166	STOP, LIFT ARM	26
FILTER, ENG. OIL	143	STROBE LIGHT	287, 288
FILTER, FUEL	34	TANK, COOLANT	126
FILTER, HYD. OIL	88	TANK, FUEL	34
FIRE EXTINGUISHER	222	THERMOSTAT	156
FUEL SYSTEM	34	THROTTLE	138
GAS SPRING	14	TIRES	295
GASKET KIT, ENG.	142	VALVE COVER	147
GLOW PLUG	163	VALVE, CONTROL	64
GUAGE, ENG. TEMP.	108	VALVE, ENGINE	148
GUAGE, FUEL	108	VALVE, HYD. CONTROL	68, 72, 76
HEAD, CYLINDER	149	VOLTMETER	108
HEATER	242, 243	WINDOW, REAR	14, 192
HORN	245, 246	WINDOW, SIDE	192
HOURLY METER	108, 247	WINDSHIELD WIPER	274
HUB, AXLE	41		
INJECTION NOZZLES	163, 164		

751F CONTENTS

MAIN FRAME	12-39
MAIN FRAME	12-13
OPERATOR CAB	14-17
SEAT & SEAT BAR	18-21
SEAT	22-25
PANELS	26-27
REAR DOOR	28-29
LIFT ARM & BOB-TACH	30-33
BOB-TACH	34-35
FUEL SYSTEM	36-39
DRIVE TRAIN	40-47
DRIVE TRAIN	40-41
MOTOR CARRIER	42-43
DISC BRAKE	44-45
AXLE	46-47
HYDRAULIC SYSTEM	48-89
HYDRAULIC CIRCUITRY	48-55
MANUAL LIFT RELEASE SYSTEM	56-57
AUXILIARY HYDRAULICS	58-59
TILT CYLINDER	60-63
LIFT CYLINDER	64-65
CONTROL PEDALS	66-67
HYDRAULIC CONTROL VALVE (W/BICS VALVE)	68-71
* HYDRAULIC CONTROL VALVE (W/BICS CONTROL VALVE)	72-75
HYDRAULIC CONTROL VALVE (ADVANCED HAND CONTROLS) (W/BICS VALVE)	76-79
* HYDRAULIC CONTROL VALVE (SERVICE VALVE) (ADVANCED CONTROL SYSTEM)	80-83
BICS CONTROL VALVE	84-85
MAUNUAL LIFT RELEASE VALVE	86-87
BUCKET POSITIONING VALVE	88-89
HYDROSTATIC SYSTEM	90-106
HYDROSTATIC CIRCUITRY	90-95
HAND CONTROLS	96-99
HYDROSTATIC MOTOR	100-101
HYDROSTATIC PUMP	102-109
GEAR PUMP	110-113
HYDROSTATIC OIL FILTER	114-117
ELECTRICAL SYSTEM	118-135
CAB ELECTRICAL CIRCUITRY	118-121
ENGINE ELECTRICAL CIRCUITRY	122-125
CONTROLS ELECTRICAL	126-131
ALTERNATOR	132-133
STARTER	134-135
POWER UNIT	136-193
COOLING SYSTEM	136-139
ENGINE & ATTACHING PARTS	140-147
THROTTLE	148-149
COOLING FAN DRIVE ASSY.	150-151
ENGINE & GASKET KITS	152-153
GEARCASE	154-155
CRANKCASE	156-157
ROCKER ARM COVER	158-159
VAVLE ROCKER ARM	160-161
CYLINDER HEAD	162-163
OIL PAN	164-165

751F CONTENTS (Cont'd)

POWER UNIT (CONT'D)	136-193
PISTON & CRANKSHAFT	166-167
FUEL CAMSHAFT	168-169
CAMSHAFT	170-171
WATER PUMP	172-173
WATER FLANGE & THERMOSTAT	174-175
MANIFOLDS	176-177
ENGINE STOP LEVER	178-179
GOVERNOR	180-181
SPEED CONTROL PLATE	182-183
INJECTION PUMP	184-187
INJECTOR NOZZLES	188-189
INJECTOR HOLDER	190-191
AIR CLEANER	192-193
ACCESSORIES & OPTIONS	197-368
ACCESS COVER	197-200
AIR DEFLECTOR KIT	201-202
AXLE SEAL KIT	203-204
BACK-UP ALARM	205-206
BEACON LIGHT	207-208
BLOCK HEATER	209-210
BOB-TACH LEVERS	211-212
BUCKET POSITION ON-OFF KIT	213-214
BUCKET POSITIONING VALVE KIT	215-216
CAB DOOR	217-220
CAB ENCLOSURE	221-226
CAB WINDOWS	227-228
CLOSED ALTERNATOR	229-230
COUNTERWEIGHT KIT	231-232
DECALS	233-236
ELECTRICAL CONTROLS KIT	237-240
ENGINE MOUNT KITS	241-242
EUROPEAN ACCESSORIES	243-260
FIRE EXTINGUISHER	261-262
FLASHER LIGHTS	263-264
FRONT AUXILIARY KIT	265-268
HAND CONTROL KIT	269-272
* HAND CONTROL KIT	273-276
HANDLE KITS	277-278
HEATER KIT (FRESH AIR)	279-280
HEATER (FRESH AIR)	281-282
HEATER PLUMBING KIT (FRESH AIR)	283-284
HEATER KIT	285-286
HEATER	287-288
HEATER PLUMBING KIT	289-290
HORN KIT	291-294
HOURMETER KIT	295-296
KEYLESS IGNITION	297-298
LIFT KIT	299-304
LIGHT KIT	305-306
MUFFLER/PURIFIER KIT	307-308
PRESSURE RELEASE KIT	309-310
PRESSURE RELEASE VALVE	311-312
PUSH TO OPERATE KIT	313-316
RADIATOR SCREEN KIT	317-318

751F CONTENTS (Cont'd)

ACCESSORIES & OPTIONS (CONT'D)	197-368
REAR AUXILIARY	319-322
REAR AUXILIARY VALVE	323-324
REAR AUX. IN-LINE FILTER	325-326
REAR DOOR LOCK	327-328
REAR WIPER KIT	329-330
RENTAL KIT	331-332
SEAT	333-338
SEAT BELT	339-340
SEAT BAR KIT	341-342
SEAT KIT	343-344
SEAT RAIL COVER KIT	345-346
SEAT SENSOR OVERRIDE	347-350
SIDE CONSOLE KIT	351-352
SOUND KIT	353-354
SOUND REDUCTION HARDHAT	355-356
STROBE LIGHT	357-360
TIRES & RIMS	361-366
BULK ITEMS	367-368
NUMERICAL INDEX	369-421
NUMERICAL INDEX	369-421

751F CONTENTS

MAIN FRAME	12-39
MAIN FRAME	12-13
OPERATOR CAB	14-17
SEAT & SEAT BAR	18-21
SEAT	22-25
PANELS	26-27
REAR DOOR	28-29
LIFT ARM & BOB-TACH	30-33
BOB-TACH	34-35
FUEL SYSTEM	36-39
DRIVE TRAIN	40-47
DRIVE TRAIN	40-41
MOTOR CARRIER	42-43
DISC BRAKE	44-45
AXLE	46-47
HYDRAULIC SYSTEM	48-89
HYDRAULIC CIRCUITRY	48-55
MANUAL LIFT RELEASE SYSTEM	56-57
AUXILIARY HYDRAULICS	58-59
TILT CYLINDER	60-63
LIFT CYLINDER	64-65
CONTROL PEDALS	66-67
HYDRAULIC CONTROL VALVE (W/BICS VALVE)	68-71
* HYDRAULIC CONTROL VALVE (W/BICS CONTROL VALVE)	72-75
HYDRAULIC CONTROL VALVE (ADVANCED HAND CONTROLS) (W/BICS VALVE)	76-79
* HYDRAULIC CONTROL VALVE (SERVICE VALVE) (ADVANCED CONTROL SYSTEM)	80-83
BICS CONTROL VALVE	84-85
MAUNUAL LIFT RELEASE VALVE	86-87
BUCKET POSITIONING VALVE	88-89
HYDROSTATIC SYSTEM	90-106
HYDROSTATIC CIRCUITRY	90-95
HAND CONTROLS	96-99
HYDROSTATIC MOTOR	100-101
HYDROSTATIC PUMP	102-109
GEAR PUMP	110-113
HYDROSTATIC OIL FILTER	114-117
ELECTRICAL SYSTEM	118-135
CAB ELECTRICAL CIRCUITRY	118-121
ENGINE ELECTRICAL CIRCUITRY	122-125
CONTROLS ELECTRICAL	126-131
ALTERNATOR	132-133
STARTER	134-135
POWER UNIT	136-193
COOLING SYSTEM	136-139
ENGINE & ATTACHING PARTS	140-147
THROTTLE	148-149
COOLING FAN DRIVE ASSY.	150-151
ENGINE & GASKET KITS	152-153
GEARCASE	154-155
CRANKCASE	156-157
ROCKER ARM COVER	158-159
VAVLE ROCKER ARM	160-161
CYLINDER HEAD	162-163
OIL PAN	164-165

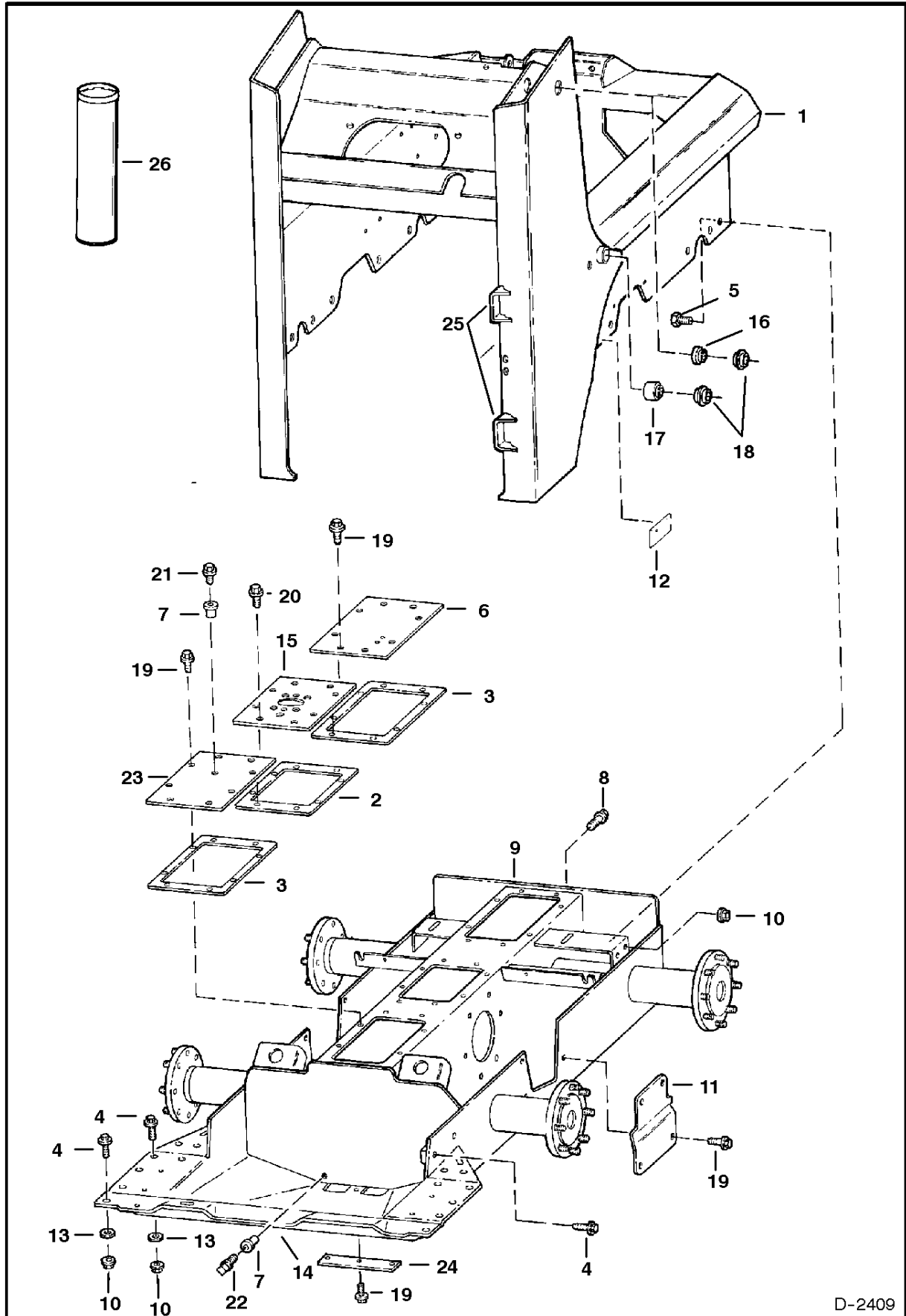
751F CONTENTS (Cont'd)

POWER UNIT (CONT'D)	136-193
PISTON & CRANKSHAFT	166-167
FUEL CAMSHAFT	168-169
CAMSHAFT	170-171
WATER PUMP	172-173
WATER FLANGE & THERMOSTAT	174-175
MANIFOLDS	176-177
ENGINE STOP LEVER	178-179
GOVERNOR	180-181
SPEED CONTROL PLATE	182-183
INJECTION PUMP	184-187
INJECTOR NOZZLES	188-189
INJECTOR HOLDER	190-191
AIR CLEANER	192-193
ACCESSORIES & OPTIONS	197-368
ACCESS COVER	197-200
AIR DEFLECTOR KIT	201-202
AXLE SEAL KIT	203-204
BACK-UP ALARM	205-206
BEACON LIGHT	207-208
BLOCK HEATER	209-210
BOB-TACH LEVERS	211-212
BUCKET POSITION ON-OFF KIT	213-214
BUCKET POSITIONING VALVE KIT	215-216
CAB DOOR	217-220
CAB ENCLOSURE	221-226
CAB WINDOWS	227-228
CLOSED ALTERNATOR	229-230
COUNTERWEIGHT KIT	231-232
DECALS	233-236
ELECTRICAL CONTROLS KIT	237-240
ENGINE MOUNT KITS	241-242
EUROPEAN ACCESSORIES	243-260
FIRE EXTINGUISHER	261-262
FLASHER LIGHTS	263-264
FRONT AUXILIARY KIT	265-268
HAND CONTROL KIT	269-272
* HAND CONTROL KIT	273-276
HANDLE KITS	277-278
HEATER KIT (FRESH AIR)	279-280
HEATER (FRESH AIR)	281-282
HEATER PLUMBING KIT (FRESH AIR)	283-284
HEATER KIT	285-286
HEATER	287-288
HEATER PLUMBING KIT	289-290
HORN KIT	291-294
HOURMETER KIT	295-296
KEYLESS IGNITION	297-298
LIFT KIT	299-304
LIGHT KIT	305-306
MUFFLER/PURIFIER KIT	307-308
PRESSURE RELEASE KIT	309-310
PRESSURE RELEASE VALVE	311-312
PUSH TO OPERATE KIT	313-316
RADIATOR SCREEN KIT	317-318

751F CONTENTS (Cont'd)

ACCESSORIES & OPTIONS	197-368
REAR AUXILIARY	319-322
REAR AUXILIARY VALVE	323-324
REAR AUX. IN-LINE FILTER	325-326
REAR DOOR LOCK	327-328
REAR WIPER KIT	329-330
RENTAL KIT	331-332
SEAT	333-338
SEAT BELT	339-340
SEAT BAR KIT	341-342
SEAT KIT	343-344
SEAT RAIL COVER KIT	345-346
SEAT SENSOR OVERRIDE	347-350
SIDE CONSOLE KIT	351-352
SOUND KIT	353-354
SOUND REDUCTION HARDHAT	355-356
STROBE LIGHT	357-360
TIRES & RIMS	361-366
BULK ITEMS	367-368
NUMERICAL INDEX	369-421
NUMERICAL INDEX	369-421

MAIN FRAME



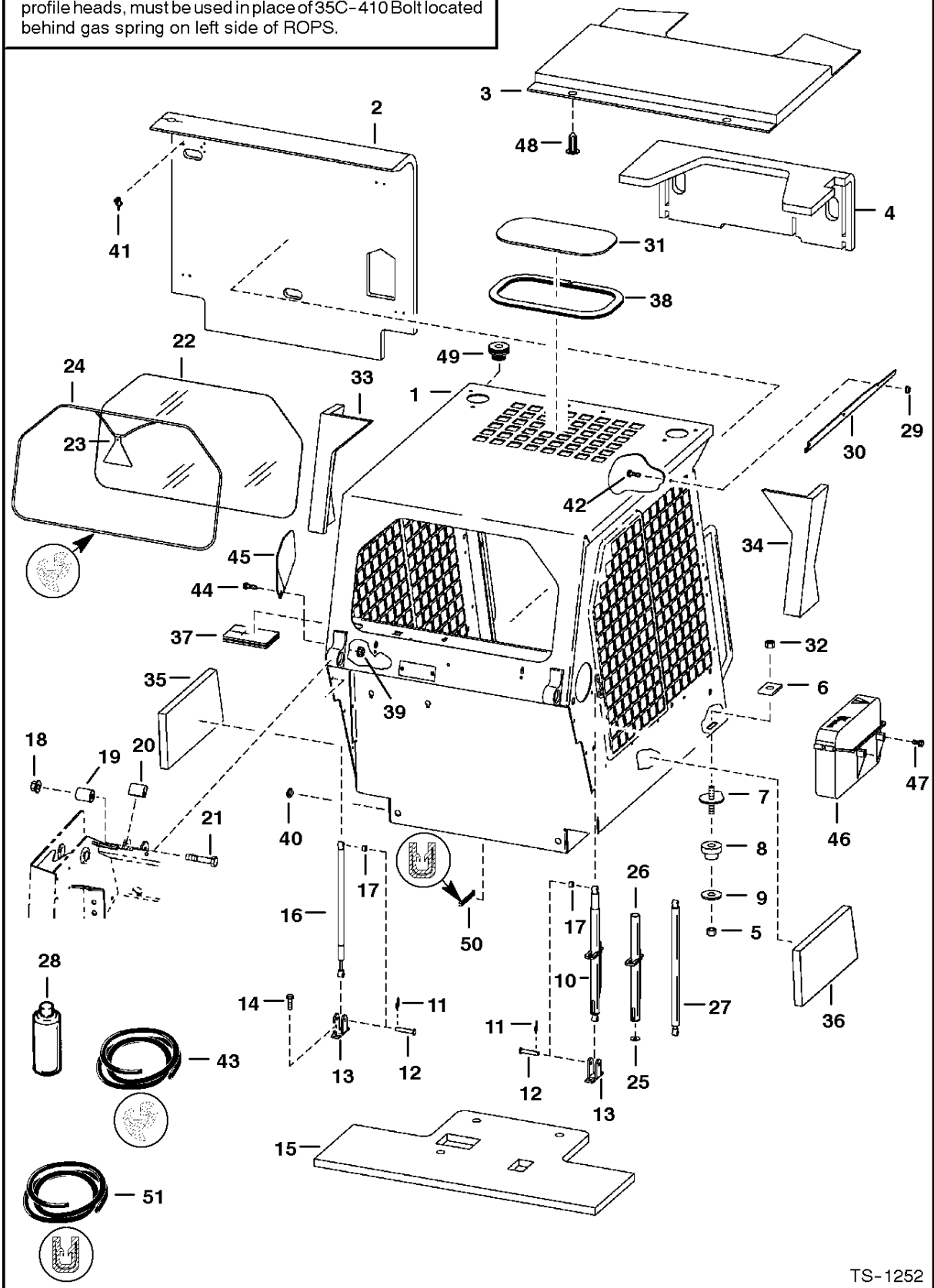
D-2409

MAIN FRAME

Ref.N°	Part N°	Description	Remarks	Serial N°	Qty.
1	6714590	MAIN FRAME			1
2	6706968	GASKET			1
3	6703097	GASKET			2
4	31C-824	BOLT		& Bel	12
5	31C-820	BOLT		& Bel	16
5	31C-820	BOLT		& Abv	28
6	6578505	COVER	See Page DISC BRAKE(1)		1
7	6553411	BUSHING			2
8	6731121	PLUG	chaincase fill - Was 11F-12 [A]		1
9	6712827	CHAINCASE	See Page DRIVE TRAIN(1)		1
10	83D-8	NUT			28
11	6704695	COVER			2
12	6704680	COVER	See Page HYDROSTATIC CIRCUITRY(1)		1
13	6701097	WASHER			10
14	6706485	HOOK	tie down - weld on		2
15	6706042	COVER	See Page DISC BRAKE(1)		1
16	6702583	BUSHING	weld on		2
17	6555987	BUSHING	weld on		2
18	6702584	BUSHING	weld on		4
19	84G-3712	BOLT			x
20		BOLT	See Page DISC BRAKE(1)		x
21	6670627	BREATHER	See Page DISC BRAKE(1)		1
22	6599645	PLUG	chaincase drain		1
23	6700330	COVER			1
24	6700182	COVER			1
25	6708987	BRACKET	hinge - weld on		2
26	6633583	SEALANT	chaincase cover		x

OPERATOR CAB

NOTE: 6714062 Gas Spring Kit to be used when loader is equipped W/Cab Enclosure. Because Gas Spring is heavy duty W/larger diameter, (2) of 91G-416 Screws, with low profile heads, must be used in place of 35C-410 Bolt located behind gas spring on left side of ROPS.



TS-1252

OPERATOR CAB

Ref.N°	Part N°	Description	Remarks	Serial N°	Qty.
1	6701957	OPERATOR CAB	includes cab decals		1
2	6708682	INSULATION	seat back - Use W/Ref. OPERATOR CAB(41)		1
3	6715094	INSULATION	cab top - Use W/Ref. OPERATOR CAB(48) - Was 6712537 [A]		1
4	6718489	INSULATION	control panel - Use W/Ref. OPERATOR CAB(41) - Was 6709020 [A]		1
5	85D-8	NUT			2
6	6553709	WASHER			2
7	6702971	BOLT			2
8	6560633	MOUNT			2
9	6515817	WASHER			2
10	NAP	GAS SPRING	Order Ref. OPERATOR CAB(25)-OPERATOR CAB(27)		1
11	6631418	PIN	ring		4
12	6567743	PIN			4
13	6706349	MOUNT			2
14	84G-3112	BOLT			4
15	6715095	INSULATION	seat pan - Use W/Ref. OPERATOR CAB(28) - Was 6706982 [A]		1
16	6700171	GAS SPRING	W/O lock		1
16	6714062	KIT	W/O lock -heavy duty gas spring - SEE NOTE		1
16	91G-410	SCREW	SEE NOTE		2
17	6567604	SPACER			2
18	53D-10	NUT	Was 83D-10 [B]		2
19	6562602	BUSHING	rubber		2
20	6579613	STOP	cab tilt		2
21	17C-1056	BOLT			2
22	6701651	WINDOW	rear		1
23	6559515	EXIT TAG			1
24	NAP	SEAL	100"(2540 mm)long-Order Ref. OPERATOR CAB(43)		1
24	NAP	CORD	100"(2540 mm)long-Order Ref. OPERATOR CAB(43)		1
25	6701174	WASHER			1
26	6708189	TUBE	stop		1
27	6664205	GAS SPRING			1
28	6652818	ADHESIVE	insulation - 24 oz. spray can		x
29	83D-4	NUT			6
30	6703159	TRACK	R.H.		1
30	6703160	TRACK	L.H.		1
31	6705735	WINDOW			1
32	59D-8	NUT			2
33	6715098	INSULATION	cab back - Use W/Ref. OPERATOR CAB(41) - Was 6706156 [A]		1
34	6715097	INSULATION	cab back - Use W/Ref. OPERATOR CAB(41) - Was 6706157 [A]		1
35	6703451	INSULATION	cab back - Use W/Ref. OPERATOR CAB(28)		1
36	6703452	INSULATION	cab back - Use W/Ref. OPERATOR CAB(28)		1
37	6703455	INSULATION	cab back - Use W/Ref. OPERATOR CAB(28)		1
38	6664351	SEAL	Used W/ Cab Headliner		1
38	6665012	SEAL	Used W/O Cab Headliner		1
39	83D-5	NUT			4
40	6664374	PLUG	heater hole		5
41	6664310	CLIP	insulation		7
42	35C-410	BOLT			6
43	6665568	SEAL	bulk - Sold Per Foot		x
43	6554149	CORD	bulk - Sold Per Foot		x
44	17C-512	BOLT			1
45	6707879	COVER			1

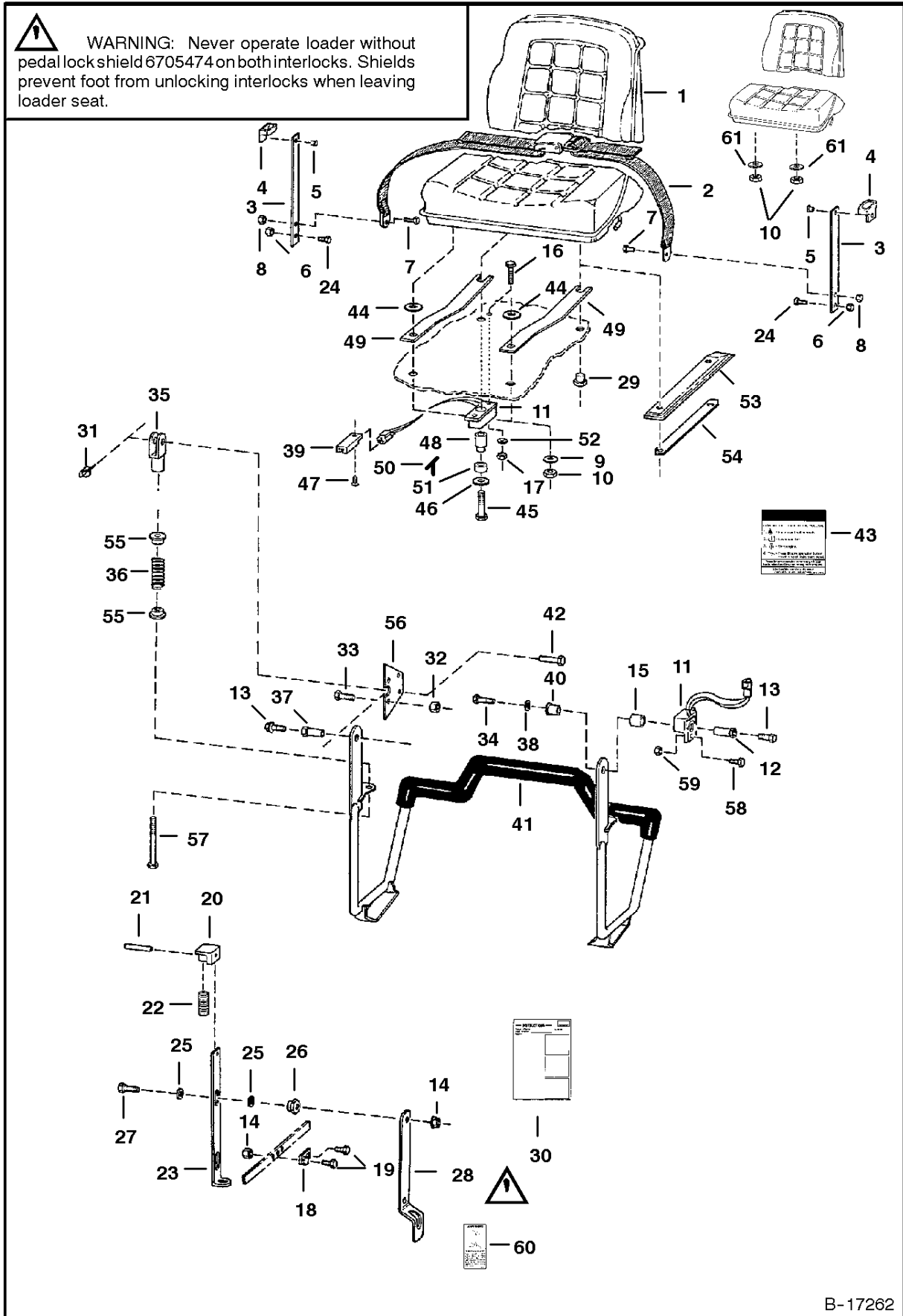
OPERATOR CAB

Ref.N°	Part N°	Description	Remarks	Serial N°	Qty.
46	6708827	CONTAINER	manuals		1
47	6702642	BOLT			2
48	6669308	RETAINER	snap in		2
49	6707674	PLUG	round - plugs 1.28'(32,5 mm) dia. hole in cab		1
50	NAP	MOULDING	10.5'(266 mm) long - front corners cab seat pan - Order Ref. OPERATOR CAB(51)		2
51	6654139	MOULDING	bulk - Sold Per Print		x

SEAT & SEAT BAR



WARNING: Never operate loader without pedal lock shield 6705474 on both interlocks. Shields prevent foot from unlocking interlocks when leaving loader seat.



B-17262

Buy Now



Our support email:

ebooklibonline@outlook.com