

753



Parts Manual

S/N 5158 11001-29999

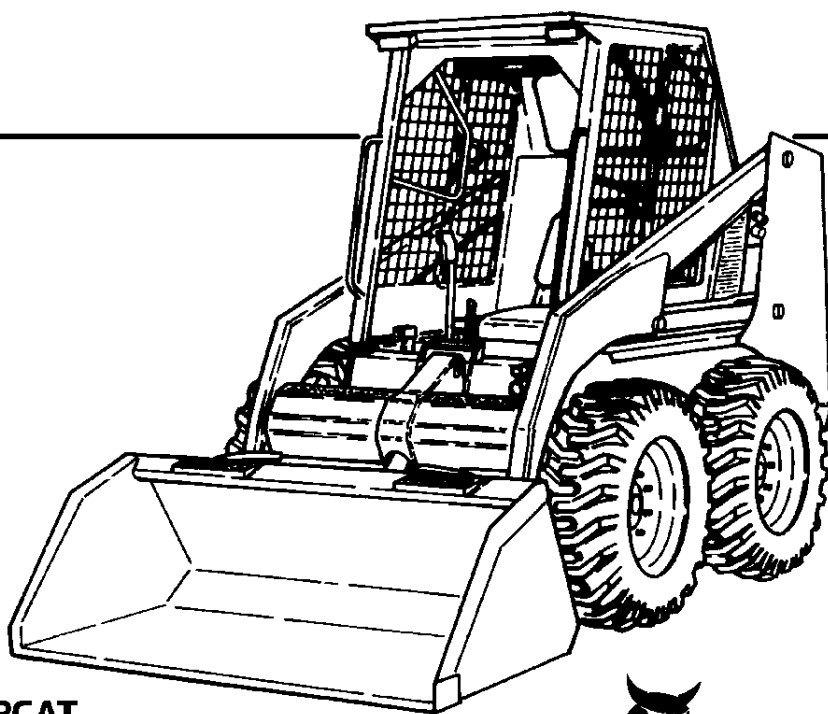
S/N 5162 11001-19999

S/N 5127 16001 & Above

S/N 5086 30001 & Above

S/N 5114 76001 & Above

S/N 5139 11001 - 11148



**EQUIPPED WITH
BOBCAT INTERLOCK
CONTROL SYSTEM (BICS™)**

PUBLICATION # 6724067 (6-01)

REPLACES # 6724067 (4-00)

**BOBCAT
INGERSOLL-RAND**



Printed in U.S.A.

© Bobcat/Ingersoll-Rand 2001

753 BICS ALPHABETICAL INDEX

ADHESIVE	454	LIGHT	194, 206
AIR CLEANER	232, 234, 276	LIGHTS, FLASHER	352
ALTERNATOR	204, 220, 236	LOCK, REAR DOOR	419, 420
ANTI-FREEZE	454	LUBRICANT	454
AXLE	49	MAIN FRAME	12
BATTERY	202, 208	MANIFOLD	267
BELT, ALTERNATOR	236	MODULE, AUX. CONTROLS	194
BELT, COOLING FAN DRIVE	228	MOTOR CARRIER	43
BELT, PUMP DRIVE	242	MOTOR, HYDRO.	158
BLOCK HEATER	288	MOUNT, ENGINE	236
BOB-TACH	32, 34	MOUNT, HYDRO. PUMP	236, 242
BOSS UNIT	208	MUFFLER	232, 234
CAB	14	OIL	454
CAB ENCLOSURE	296, 306	OIL COOLER	152
CABLE, BATTERY	200, 208	PAINT	454
CAMSHAFT	263, 264	PAN, OIL	260
CAP, FUEL	36	PANEL, INSTRUMENT	188, 194
CAP, HYD. OIL	148	PEDALS, CONTROL	83
CAP, RADIATOR	228	PISTON, ENGINE	262
CHAIN, DRIVE	41, 42	POLISH	454
CHAINCASE	12, 41, 42	PUMP, FUEL	36, 271
COOLING FAN DRIVE ASSY.	250	PUMP, GEAR	181
COUNTER WEIGHTS 145, 317-319, 341		PUMP, HYDRO.	162, 170, 176
CYLINDER BLOCK	255	PUMP, INJECTION	272
CYLINDER, LIFT	81	PUMP, OIL	256
CYLINDER, TILT	74, 76, 78, 80	PUMP, WATER	265
DIPSTICK, ENG. OIL	260	QUICK COUPLERS . 356-360, 408-412	
DISPLAY, LCD	194	RADIATOR	228
DOOR, CAB	298, 306	RIM, WHEEL	448
DOOR, REAR	28, 30	RING GEAR	242
DRIVE MOUNT ASSY.	43, 44	SEALANT	454
ENGINE	252	SEAT	18, 25, 426, 428, 430
FAN	228	SEAT BELT	18, 436
FILTER, AIR	276	SENSOR, ENG. OIL PRESS.	208
FILTER, ENG. OIL	253	SENSOR, ENG. TEMP.	208
FILTER, FUEL	36	SENSOR, FUEL	36
FILTER, HYD. OIL	152	SENSOR, HYDRO TEMP.	208
FIRE EXTINGUISHER	351	SHOCK CONTROLS	156
FUEL SYSTEM	36	SOLENOID	200, 208
GAS SPRING	14, 298, 306	SPROCKET, AXLE	41, 42, 49
GASKET KIT, ENG.	252	STARTER	200, 208, 222, 226
GLOW PLUG	273	STOP, LIFT ARM	32
GUAGE, ENG. TEMP.	190	STROBE LIGHT	445, 446
GUAGE, FUEL	190	SWITCH, GLOW PLUG	190
HARNES, CAB	188, 194	SWITCH, IGNITION	188, 194
HARNES, CONTROLS	214	SWITCH, LIGHT	194
HARNES, ENGINE	200, 206	TANK, COOLANT	230
HARNES, LIGHTS	206, 389	TANK, FUEL	36
HEAD, CYLINDER	259	THERMOSTAT	266
HEATER	378, 379	THROTTLE	248
HOOD, ENGINE	28, 232, 234	TIRES	447
HORN	381, 382	TOOL BOX	451
HOURMETER	190, 383	VALVE COVER	257
HUB, AXLE	49	VALVE, CONTROL ... 86-114, 134-142	
IGNITION SWITCH	188, 194	VALVE, ENGINE	258
INJECTION NOZZLES	273, 274	VOLTMETER	190
INSECT SCREEN KIT	384	WINDOW, REAR	14, 314
LATCH, REAR DOOR	28, 30	WINDOW, SIDE	314
LEVER, PINTLE	154	WINDSHIELD WIPER	298, 422
LIFT KITS	386, 387, 388		

753 BICS CONTENTS

MAIN FRAME	12-44
MAIN FRAME	12-13
OPERATOR CAB	14-17
SEAT & SEAT BAR	18-25
SEAT	26-29
PANELS	30-31
REAR DOOR	32-35
LIFT ARM & BOB-TACH	36-37
BOB-TACH	38-39
FUEL SYSTEM	40-43
DRIVE TRAIN	44-57
DRIVE TRAIN	44-47
MOTOR CARRIER	48-51
DISC BRAKE	52-55
AXLE	56-57
HYDRAULIC SYSTEM	58-135
HYDRAULIC CIRCUITRY	58-71
LIFT & TILT CONTROL SYSTEM	72-73
MANUAL LIFT RELEASE SYSTEM	74-75
AUXILIARY HYDRAULICS	76-79
TILT CYLINDER	80-87
LIFT CYLINDER	88-89
CONTROL PEDALS	90-91
HYDRAULIC CONTROL VALVE	92-113
* HYDRAULIC CONTROL VALVE	114-117
HYDRAULIC CONTROL VALVE (ADVANCED HAD CONTROLS) (W/BICS VALVE)	118-121
* HYDRAULIC CONTROL VALVE (SERVICE VALVE) (ADVANCED CONTROL SYSTEM) ..	122-125
BICS CONTROL VALVE	126-127
TILT LOCK VALVE	128-129
LIFT LOCK VALVE	130-131
MANUAL LIFT RELEASE VALVE	132-133
BUCKET POSITIONING VALVE	134-135
HIGH HORSEPOWER HYDRAULICS	136-161
HIGH FLOW HYDRAULICS	136-161
HYDROSTATIC SYSTEM	162-205
HYDROSTATIC CIRCUITRY	162-167
HAND CONTROLS	168-171
HYDROSTATIC MOTOR	172-175
HYDROSTATIC PUMP	176-195
GEAR PUMP	196-199
HYDROSTATIC OIL FILTER	200-205
ELECTRICAL SYSTEM	206-245
CAB ELECTRICAL CIRCUITRY	206-217
ENGINE ELECTRICAL CIRCUITRY	218-231
CONTROLS ELECTRICAL	232-237
ALTERNATOR	238-239
STARTER (DELCO)	240-241
STARTER KIT	242-243
STARTER (NIPPONDENSO)	244-245

753 BICS CONTENTS (Cont'd)

POWER UNIT	246-311
COOLING SYSTEM	246-249
ENGINE & ATTACHING PARTS	250-265
THROTTLE	266-267
COOLING FAN DRIVE ASSY.	268-269
ENGINE & GASKET KITS	270-271
GEARCASE	272-273
CRANKCASE	274-275
ROCKER ARM COVER	276-277
VALVE ROCKER ARM	278-279
CYLINDER HEAD	280-281
OIL PAN	282-283
PISTON & CRANKSHAFT	284-285
FUEL CAMSHAFT	286-287
CAMSHAFT	288-289
WATER PUMP	290-291
WATER FLANGE & THERMOSTAT	292-293
MANIFOLDS	294-295
ENGINE STOP LEVER	296-297
GOVERNOR	298-299
SPEED CONTROL PLATE	300-301
INJECTION PUMP	302-305
INJECTOR NOZZLES	306-307
INJECTOR HOLDER	308-309
AIR CLEANER	310-311
ACCESSORIES & OPTION	315-536
ACCESS COVER	315-318
AIR DEFLECTOR KIT	319-320
AXLE SEAL KIT	321-322
BACK-UP ALARM	323-326
BEACON LIGHT	327-328
BLOCK HEATER	329-330
BOB-TACH LEVERS	331-332
BUCKET POSITION ON-OFF KIT	333-334
BUCKET POSITIONING VALVE KIT	335-338
BUMPERS	339-340
CAB ENCLOSURE (ENVELOPE)	341-342
CAB DOOR	343-350
CAB ENCLOSURE (SPECIAL APPLICATIONS - R.H. HINGED DOOR)	351-354
CAB ENCLOSURE	355-358
CAB WINDOWS	359-360
CLOSED ALTERNATOR	361-362
COUNTERWEIGHT KIT	363-368
DECALS	369-374
ELECTRICAL CONTROLS KIT	375-378
ENGINE MOUNT KITS	379-380
EUROPEAN ACCESSORIES	381-402
FIRE EXTINGUISHER	403-404
FLASHER LIGHTS	405-408
FRONT AUXILIARY KIT	409-416
HAND CONTROL KIT	417-420
* HAND CONTROL KIT	421-424
HANDLE KITS	425-426
HEATER KIT (FRESH AIR)	427-430
HEATER (FRESH AIR)	431-434

753 BICS CONTENTS (Cont'd)

ACCESSORIES & OPTION (CONT'D)	315-536
HEATER PLUMBING KIT (FRESH AIR)	435-436
HEATER KIT	437-438
HEATER	439-440
HEATER PLUMBING KIT	441-442
HORN KIT	443-446
HOURLMETER KIT	447-448
INSECT SCREEN KIT	449-450
KEYLESS IGNITION	451-452
LIFT KIT	453-458
LIGHT KIT	459-462
MUFFLER/PURIFIER KIT	463-464
PRESSURE RELEASE KIT (FRONT AUXILIARY)	465-466
PRESSURE RELEASE VALVE	467-468
PRESSURE RELEASE KIT (HIGH HORSEPOWER HYDRAULICS)	469-470
PUSH TO OPERATE KIT	471-474
RADIATOR SCREEN KIT	475-476
REAR AUXILIARY	477-484
REAR AUXILIARY VALVE	485-488
REAR DOOR LOCK	489-492
REAR WIPER KIT	493-494
RENTAL KIT	495-496
SEAT	497-502
SEAT BAR KIT	503-506
SEAT BELT	507-508
SEAT KIT	509-510
SEAT RAIL COVER KIT	511-512
SEAT SENSOR OVERRIDE	513-516
SIDE CONSOLE KIT	517-518
SOUND KIT	519-520
SOUND REDUCTION HARDHAT	521-522
STROBE LIGHT	523-526
TIRES & RIMS	527-532
TOOL BOX	533-534
BULK ITEMS	535-536
NUMERICAL INDEX	537-603
NUMERICAL INDEX	537-603

753 BICS CONTENTS

MAIN FRAME	12-44
MAIN FRAME	12-13
OPERATOR CAB	14-17
SEAT & SEAT BAR	18-25
SEAT	26-29
PANELS	30-31
REAR DOOR	32-35
LIFT ARM & BOB-TACH	36-37
BOB-TACH	38-39
FUEL SYSTEM	40-43
DRIVE TRAIN	44-57
DRIVE TRAIN	44-47
MOTOR CARRIER	48-51
DISC BRAKE	52-55
AXLE	56-57
HYDRAULIC SYSTEM	58-135
HYDRAULIC CIRCUITRY	58-71
LIFT & TILT CONTROL SYSTEM	72-73
MANUAL LIFT RELEASE SYSTEM	74-75
AUXILIARY HYDRAULICS	76-79
TILT CYLINDER	80-87
LIFT CYLINDER	88-89
CONTROL PEDALS	90-91
HYDRAULIC CONTROL VALVE	92-113
* HYDRAULIC CONTROL VALVE	114-117
HYDRAULIC CONTROL VALVE (ADVANCED HAD CONTROLS) (W/BICS VALVE)	118-121
* HYDRAULIC CONTROL VALVE (SERVICE VALVE) (ADVANCED CONTROL SYSTEM) ..	122-125
BICS CONTROL VALVE	126-127
TILT LOCK VALVE	128-129
LIFT LOCK VALVE	130-131
MANUAL LIFT RELEASE VALVE	132-133
BUCKET POSITIONING VALVE	134-135
HIGH HORSEPOWER HYDRAULICS	136-161
HIGH FLOW HYDRAULICS	136-161
HYDROSTATIC SYSTEM	162-205
HYDROSTATIC CIRCUITRY	162-167
HAND CONTROLS	168-171
HYDROSTATIC MOTOR	172-175
HYDROSTATIC PUMP	176-195
GEAR PUMP	196-199
HYDROSTATIC OIL FILTER	200-205
ELECTRICAL SYSTEM	206-245
CAB ELECTRICAL CIRCUITRY	206-217
ENGINE ELECTRICAL CIRCUITRY	218-231
CONTROLS ELECTRICAL	232-237
ALTERNATOR	238-239
STARTER (DELCO)	240-241
STARTER KIT	242-243
STARTER (NIPPONDENSO)	244-245

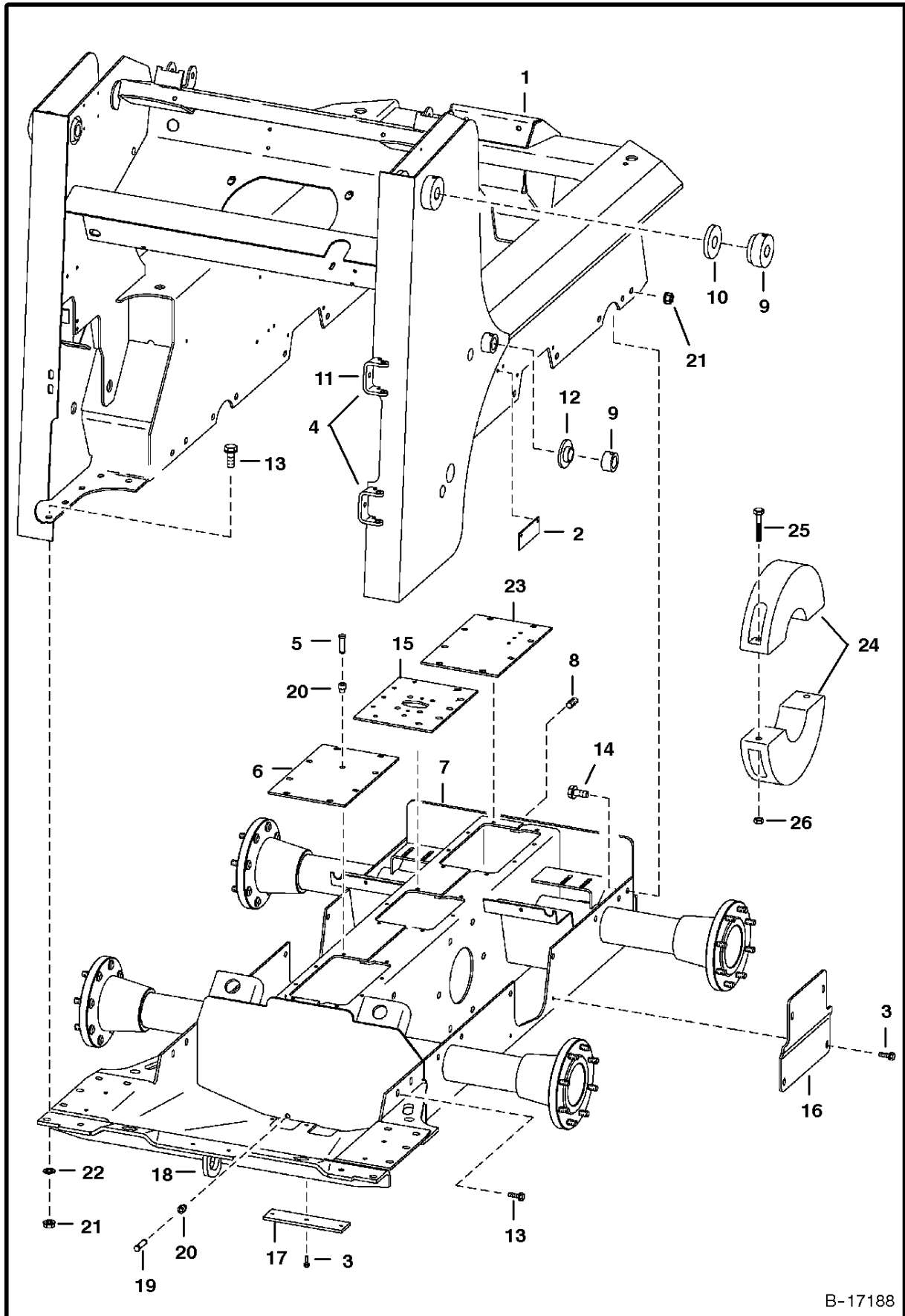
753 BICS CONTENTS (Cont'd)

POWER UNIT	246-311
COOLING SYSTEM	246-249
ENGINE & ATTACHING PARTS	250-265
THROTTLE	266-267
COOLING FAN DRIVE ASSY.	268-269
ENGINE & GASKET KITS	270-271
GEARCASE	272-273
CRANKCASE	274-275
ROCKER ARM COVER	276-277
VALVE ROCKER ARM	278-279
CYLINDER HEAD	280-281
OIL PAN	282-283
PISTON & CRANKSHAFT	284-285
FUEL CAMSHAFT	286-287
CAMSHAFT	288-289
WATER PUMP	290-291
WATER FLANGE & THERMOSTAT	292-293
MANIFOLDS	294-295
ENGINE STOP LEVER	296-297
GOVERNOR	298-299
SPEED CONTROL PLATE	300-301
INJECTION PUMP	302-305
INJECTOR NOZZLES	306-307
INJECTOR HOLDER	308-309
AIR CLEANER	310-311
ACCESSORIES & OPTION	315-536
ACCESS COVER	315-318
AIR DEFLECTOR KIT	319-320
AXLE SEAL KIT	321-322
BACK-UP ALARM	323-326
BEACON LIGHT	327-328
BLOCK HEATER	329-330
BOB-TACH LEVERS	331-332
BUCKET POSITION ON-OFF KIT	333-334
BUCKET POSITIONING VALVE KIT	335-338
BUMPERS	339-340
CAB ENCLOSURE (ENVELOPE)	341-342
CAB DOOR	343-350
CAB ENCLOSURE (SPECIAL APPLICATIONS - R.H. HINGED DOOR)	351-354
CAB ENCLOSURE	355-358
CAB WINDOWS	359-360
CLOSED ALTERNATOR	361-362
COUNTERWEIGHT KIT	363-368
DECALS	369-374
ELECTRICAL CONTROLS KIT	375-378
ENGINE MOUNT KITS	379-380
EUROPEAN ACCESSORIES	381-402
FIRE EXTINGUISHER	403-404
FLASHER LIGHTS	405-408
FRONT AUXILIARY KIT	409-416
HAND CONTROL KIT	417-420
* HAND CONTROL KIT	421-424
HANDLE KITS	425-426
HEATER KIT (FRESH AIR)	427-430
HEATER (FRESH AIR)	431-434

753 BICS CONTENTS (Cont'd)

ACCESSORIES & OPTION (CONT'D)	315-536
HEATER PLUMBING KIT (FRESH AIR)	435-436
HEATER KIT	437-438
HEATER	439-440
HEATER PLUMBING KIT	441-442
HORN KIT	443-446
HOURLMETER KIT	447-448
INSECT SCREEN KIT	449-450
KEYLESS IGNITION	451-452
LIFT KIT	453-458
LIGHT KIT	459-462
MUFFLER/PURIFIER KIT	463-464
PRESSURE RELEASE KIT (FRONT AUXILIARY)	465-466
PRESSURE RELEASE VALVE	467-468
PRESSURE RELEASE KIT (HIGH HORSEPOWER HYDRAULICS)	469-470
PUSH TO OPERATE KIT	471-474
RADIATOR SCREEN KIT	475-476
REAR AUXILIARY	477-484
REAR AUXILIARY VALVE	485-488
REAR DOOR LOCK	489-492
REAR WIPER KIT	493-494
RENTAL KIT	495-496
SEAT	497-502
SEAT BAR KIT	503-506
SEAT BELT	507-508
SEAT KIT	509-510
SEAT RAIL COVER KIT	511-512
SEAT SENSOR OVERRIDE	513-516
SIDE CONSOLE KIT	517-518
SOUND KIT	519-520
SOUND REDUCTION HARDHAT	521-522
STROBE LIGHT	523-526
TIRES & RIMS	527-532
TOOL BOX	533-534
BULK ITEMS	535-536
NUMERICAL INDEX	537-603
NUMERICAL INDEX	537-603

MAIN FRAME



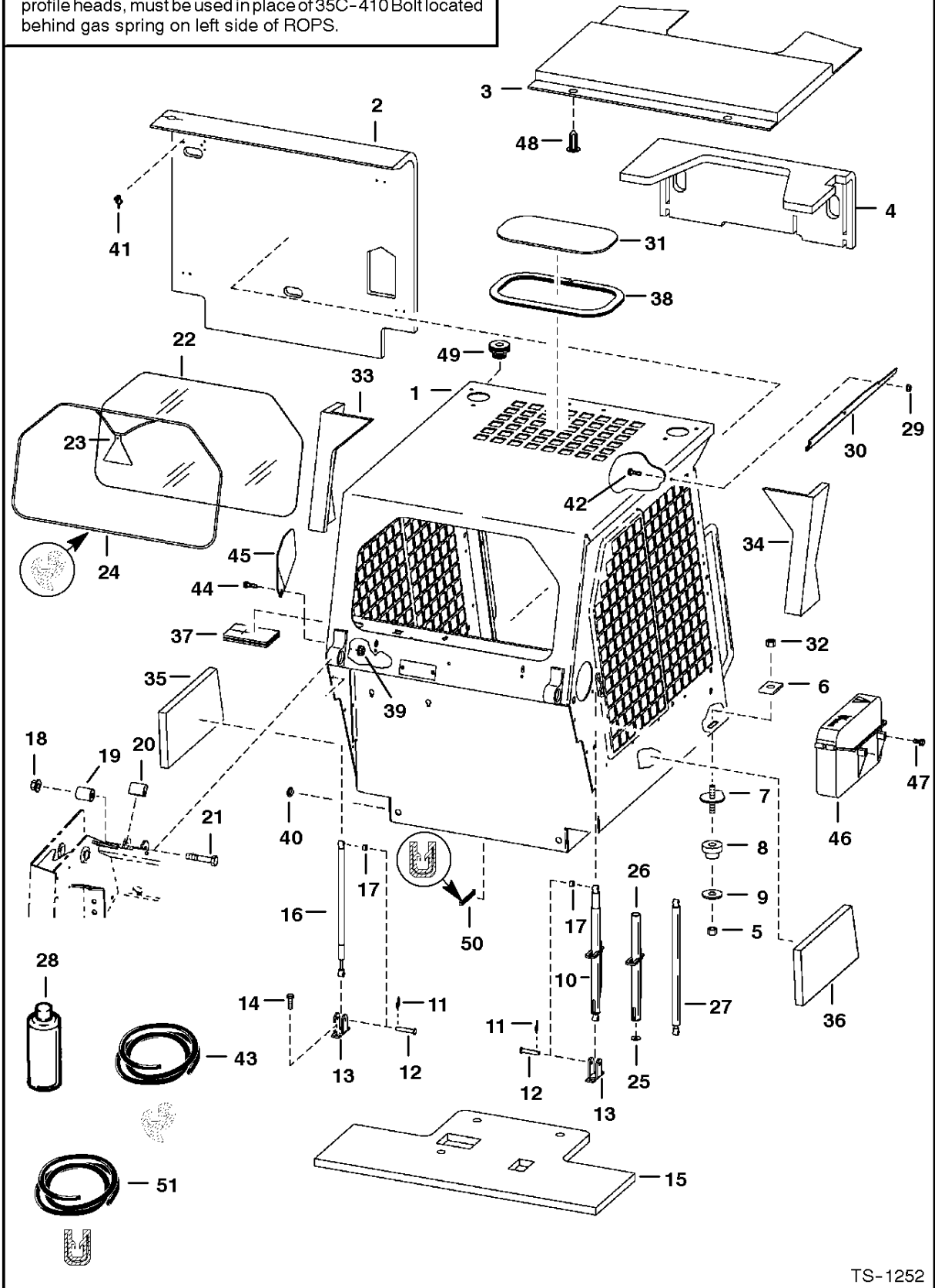
B-17188

MAIN FRAME

Ref.N°	Part N°	Description	Remarks	Serial N°	Qty.
1	NAP	MAIN FRAME	two piece rear door - SEE BTlinD1}w 316 - Was 670898 4 [A]		1
1	6714590	MAIN FRAME	one piece rear door	5158 11001-29999	1
1				5162 11001-19999	1
2	6704680	COVER	See Page HYDROSTATIC CIRCUITRY(1)		1
3	84G-3712	BOLT			11
4	6708987	BRACKET	hinge - weld on - for two piece rear door		1
4	6708987	BRACKET	hinge - weld on - for one piece rear door		2
5	6670627	BREATHER	See Page DISC BRAKE(1) - Was 6646626 [A]		1
6	6700330	COVER			1
7	6712827	CHAINCASE	See Page DRIVE TRAIN(1) - Was 6706913 [A]		1
8	11F-12	PLUG	chaincase fill		1
9	6702584	BUSHING	weld on		4
10	6702583	BUSHING	weld on		2
11	6577394	BRACKET	hinge - weld on - for two piece rear door		1
12	6555987	BUSHING	weld on		2
13	31C-824	BOLT			12
14	31C-820	BOLT			16
14	31C-820	BOLT		5158 11001-29999	28
14				5162 11001-19999	28
15	6706042	COVER	See Page DISC BRAKE(1)		1
16	6704695	COVER			2
17	6700182	COVER			1
18	6706485	HOOK	tie down - weld on		2
19	6599645	PLUG	chaincase drain		1
20	6553411	BUSHING			2
21	83D-8	NUT			28
21	83D-8	NUT		5158 11001-29999	26
21				5162 11001-19999	26
22	6701097	WASHER			10
23	6578505	COVER	See Page DISC BRAKE(1)		1
24	6714361	WEIGHT	38.7 lbs (17,6 kg) - 4.5"(114,3 mm) wide	5158 11001-29999	4
24				5162 11001-19999	4
25	17C-640	BOLT		5158 11001-29999	8
25				5162 11001-19999	8
26	61D-6	NUT		5158 11001-29999	8
26				5162 11001-19999	8

OPERATOR CAB

NOTE: 6714062 Gas Spring Kit to be used when loader is equipped W/Cab Enclosure. Because Gas Spring is heavy duty W/larger diameter, (2) of 91G-416 Screws, with low profile heads, must be used in place of 35C-410 Bolt located behind gas spring on left side of ROPS.



TS-1252

Thank you so much for reading.
Please click the “Buy Now!”
button below to download the
complete manual.



After you pay.

You can download the most
perfect and complete manual in
the world immediately.

Our support email:

ebooklibonline@outlook.com