

773



Bobcat®

**G-SERIES
Parts
Manual**

S/N 500K 11001 & Above

S/N 5180 11001 & Above

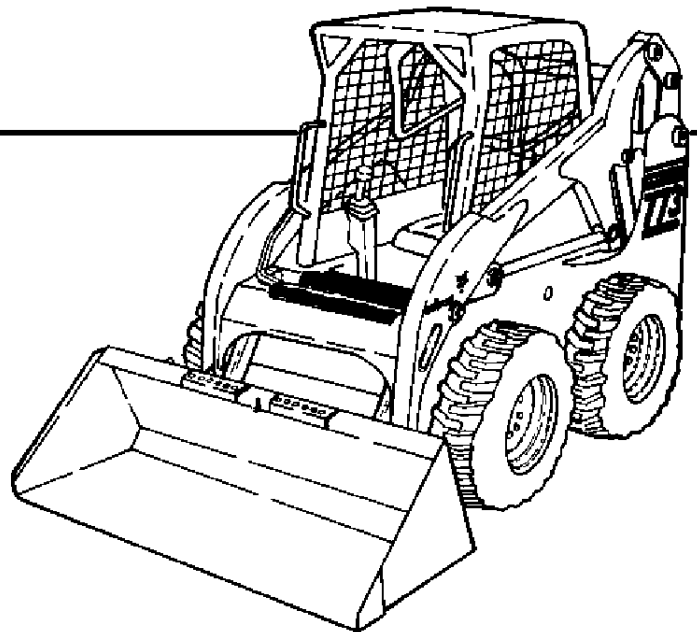
S/N 5181 11004 & Above

S/N 5190 11001 & Above

S/N 5191 11001 & Above

S/N 5192 11001 & Above

S/N 5176 11001 & Above



**EQUIPPED WITH
BOBCAT INTERLOCK
CONTROL SYSTEM (BICS™)**



773 G-SERIES ALPHABETICAL INDEX

ADHESIVE	432	LATCH, REAR DOOR	24, 26
AIR CLEANER	206, 208	LEVER, PINTLE	146
ALTERNATOR	194, 196, 214	LIFT ARM	773G, 28
ANTI-FREEZE	432	LIFT KITS	382, 383
BATTERY	166, 170	LIGHT KIT	385
BELT, ALTERNATOR	214	LIGHTS, FLASHER	354
BELT, COOLING FAN	202	LOCK, REAR DOOR	413
BELT, PUMP DRIVE	210	LUBRICANT	432
BLACK GOLD	432	MAIN FRAME	12
BLOCK HEATER	287	MANIFOLD	237, 263
BLOWER, WHEEL	202	MOUNT, ENGINE	214
BOB-TACH	34	MOUNT, HYDRO. PUMP	212, 214
CAB	16, 18	MUFFLER	206, 208
CAB DOOR	298, 308	OIL	432
CABLE, BATTERY	166, 170	OIL COOLER	140
CAMSHAFT	233, 234, 259, 260	PAINT	432
CAP, FUEL	36	PANEL, INSTRUMENT	162, 164
CAP, HYD. OIL	132, 136	PEDALS, CONTROL	89
CAP, RADIATOR	202	PISTON	232, 258
CHAIN, DRIVE	39	POLISH	432
CHAINCASE	39	PUMP, FUEL	36, 241, 269
COOLING FAN DRIVE ASSY.	220	PUMP, GEAR	157
COUNTER WEIGHTS	321, 322	PUMP, HYDRO.	150, 154
CRANKSHAFT	232, 258	PUMP, OIL	226, 252
CYLINDER BLOCK	225, 251	PUMP, WATER	235, 261
CYLINDER HEAD	229, 255	QUICK COUPLERS	76
CYLINDER, BOBTACH	397, 398	RADIATOR	202
CYLINDER, LIFT48, 52, 56, 60, 64, 68, 87		RIM, WHEEL	430
CYLINDER, TILT48, 52, 56, 60, 64, 68, 82, 84, 86		RING GEAR	212
DIPSTICK, ENG. OIL	230, 256	SEALANT	432
DOOR, CAB	308	SEAT BELT	18, 416, 421
DOOR, REAR	24, 26	SENDER, ENG. TEMP.	166, 170
DRIVE MOUNT ASSY.	42	SENSOR, RPM	166, 170
ENGINE	206, 208, 212, 222, 246	SHOCK CONTROLS	144
REAR WINDOW REMOVAL KIT ...	317	SOLENOID	166, 170
EXTINGUISHER	351	SPROCKET, AXLE	39, 41
FILTER, AIR	273	STARTER	166, 170, 198, 212
FILTER, ENG. OIL	223, 247	STOP, LIFT ARM	30
FILTER, FUEL	36	SWITCH, HYD. PRESS.	166, 170
FILTER, HYD. OIL	142	SWITCH, HYD. TEMP.	166, 170
FIRE EXTINGUISHER	351	SWITCH, IGNITION	162, 164
FLASHER LIGHTS	354	TANK, COOLANT	202
FUEL SENDER	36	TANK, FUEL	36
GAS SPRING	16, 300, 308	THERMOSTAT	236, 262
GASKET KIT, ENG.	222	TIRES	430
GLOW PLUG	243, 271	VALVE COVER	227, 253
HARNESS, CAB	162, 164	VALVE, CONTROL	74, 78
HARNESS, ENGINE	166, 170	VALVE, ENGINE	228, 254
HARNESS, LIGHTS	385	VALVE, HYD. CONTROL 104, 108, 112	
HEAD, CYLINDER	229, 255	WINDOW, REAR	316, 332
HEATER	362, 366	WINDOW, SIDE	316
HORN	381	WIPER, WINDSHIELD	304
INJECTION NOZZLES243, 244, 271, 272			

773 G-SERIES CONTENTS

MAIN FRAME	12-39
MAIN FRAME	12-15
OPERATOR CAB	16-19
SEAT & SEAT BAR	20-21
SEAT	22
PANELS	23
REAR DOOR	24-25
* REAR DOOR	26-27
LIFT ARMS & BOBTACH	28-33
BOB-TACH	34-35
FUEL SYSTEM	36-39
DRIVE TRAIN	40-47
DRIVE TRAIN	40-41
AXLE	42
MOTOR CARRIER	43
DISC BRAKE	44-47
HYDRAULIC SYSTEM	48-118
HYDRAULIC CIRCUITRY (W/O BPV)	48-55
* HYDRAULIC CIRCUITRY (W/O BPV)	56-59
HYDRAULIC CIRCUITRY (W/ BPV)	60-67
* HYDRAULIC CIRCUITRY (W/ BPV)	68-71
MANUAL LIFT RELEASE SYSTEM	72-73
AUXILIARY HYDRAULICS	74-77
* AUXILIARY HYDRAULICS	78-81
TILT CYLINDER	82-87
LIFT CYLINDER	88
CONTROL PEDALS	90-91
HYDRAULIC CONTROL VALVE (BICS COMBO VALVE)	92-95
* HYDRAULIC CONTROL VALVE (BICS COMBO VALVE)	96-103
HYDRAULIC CONTROL VALVE (ADVANCED HAND CONTROLS)	104-107
HYDRAULIC CONTROL VALVE (ADVANCED CONTROL SYSTEM)	108-111
HYDRAULIC CONTROL VALVE (SERVICE VALVE)	112-115
BICS CONTROL VALVE	116
MANUAL LIFT RELEASE VALVE	117
PRESSURE RELEASE VALVE	118
HIGH FLOW HYDRAULICS	120-130
HIGH FLOW HYDRAULICS	120-123
* HIGH FLOW HYDRAULICS	124-125
HIGH FLOW HYDRAULICS (SELECT VALVE)	126-130
HYDROSTATIC SYSTEM	132-161
HYDROSTATIC CIRCUITRY	132-143
HAND CONTROLS	144-147
HYDROSTATIC MOTOR	148-149
HYDROSTATIC PUMP	150-157
GEAR PUMP	158-159
HYDROSTATIC OIL FILTER	160-161
ELECTRICAL SYSTEM	162-200
CAB ELECTRICAL CIRCUITRY	162-165
ENGINE ELECTRICAL CIRCUITRY	166-173
CONTROLS ELECTRICAL	174-191
* CONTROLS ELECTRICAL	192
ALTERNATOR	194-197
STARTER	198-200

773 G-SERIES CONTENTS (Cont'd)

POWER UNIT	202-274
COOLING SYSTEM	202-205
ENGINE & ATTACHING PARTS	206-217
THROTTLE	218-219
COOLING FAN DRIVE ASSY.	220-221
ENGINE & GASKET KITS (KUBOTA V2203)	222-223
GEARCASE (KUBOTA V2203)	224-225
CRANKCASE (KUBOTA V2203)	226-227
ROCKER ARM COVER (KUBOTA V2203)	228
VALVE ROCKER COVER (KUBOTA V2203)	229
CYLINDER HEAD (KUBOTA V2203)	230
OIL PAN (KUBOTA V2203)	231
PISTON & CRANKSHAFT (KUBOTA V2203)	232-233
FUEL CAMSHAFT (KUBOTA V2203)	234
CAMSHAFT (KUBOTA V2203)	235
WATER PUMP (KUBOTA V2203)	236
WATER FLANGE & THERMOSTAT (KUBOTA V2203)	237
MANIFOLDS (KUBOTA V2203)	238
ENGINE STOP LEVER (KUBOTA V2203)	239
GOVERNOR (KUBOTA V2203)	240
SPEED CONTROL PLATE (KUBOTA V2203)	241
INJECTION PUMP (KUBOTA V2203)	242-243
INJECTOR NOZZLES (KUBOTA V2203)	244
INJECTOR HOLDER (KUBOTA V2203)	245
ENGINE & GASKET KITS (KUBOTA V2003T)	246-247
GEARCASE (KUBOTA V2003T)	248-249
OIL COOLER (KUBOTA V2003T)	250
* OIL COOLER (KUBOTA V2003T)	251
CRANKCASE (KUBOTA V2003T)	252-253
ROCKER ARM COVER (KUBOTA V2003T)	254
VALVE ROCKER ARM (KUBOTA V2003T)	255
CYLINDER HEAD (KUBOTA V2003T)	256
OIL PAN (KUBOTA V2003T)	257
PISTON & CRANKSHAFT (KUBOTA V2003T)	258-259
FUEL CAMSHAFT (KUBOTA V2003T)	260
CAMSHAFT (KUBOTA V2003T)	261
WATER PUMP (KUBOTA V2003T)	262
WATER FLANGE & THERMOSTAT (KUBOTA V2003T)	263
MANIFOLDS (KUBOTA V2003T)	264
TURBO CHARGER (KUBOTA V2003T)	265
OIL PIPE (KUBOTA V2003T)	266
ENGINE STOP LEVER (KUBOTA V2003T)	267
GOVERNOR (KUBOTA V2003T)	268
SPEED CONTROL PLATE (KUBOTA V2003T)	269
INJECTION PUMP (KUBOTA V2003T)	270-271
INJECTOR NOZZLES (KUBOTA V2003T)	272
INJECTOR HOLDER (KUBOTA V2003T)	273
AIR CLEANER	274
ACCESSORIES & OPTIONS	279-434
* ACS CONVERSION KIT	279-280
ACCESS COVER	281
ACCESSORIES HARNESS	282
AXLE SEAL KIT	284
BACK-UP ALARM	285-286
BEACON	287

773 G-SERIES CONTENTS (Cont'd)

ACCESSORIES & OPTIONS (CONT'D)	279-434
BLOCK HEATER	289
BOB-TACH LEVERS	290
BUCKET POSITIONING VALVE KIT	291-294
* BUCKET POSITIONING VALVE KIT	295-296
BUCKET POSITIONING VALVE	297-298
CAB DOOR	299-313
CAB ENCLOSURE	315-316
CAB WINDOWS	317-319
CLOSED ALTERNATOR	321-322
COUNTERWEIGHT KIT	323-324
DECALS	325-330
DELUXE CAB	331-334
* DUAL BATTERY KIT	335-336
ELECTRICAL CONTROLS KIT	337-342
ENGINE MOUNT KIT	344
EUROPEAN ACCESSORIES	345-352
FIRE EXTINGUISHER	353
F.O.P.S. KIT	354
FLASHER LIGHTS	355-356
* FRONT AUXILIARY	357-358
HAND CONTROL KIT	359-362
HEATER & A/C	363-374
* HEATER & A/C	375
HEATER & A/C (A/C KIT)	377-380
HEATER & A/C (HVAC ASSEMBLY)	381-382
HORN KIT	383
LIFT LIT	384-386
LIGHT KIT	387
MUFFLER/PURIFIER KIT	389
POWER BOB-TACH KIT	391-398
POWER BOB-TACH	399-404
* POWER BOB-TACH	405-406
REAR AUXILIARY	407-412
REAR AUXILIARY VALVE	413-414
REAR DOOR LOCK	415
REAR WIPER	416
SEAT	417-420
SEAT BELT	421-423
SOUND KIT	425-426
SOUND OPTION	427-428
SOUND REDUCTION HARDHAT	429
STROBE LIGHT	430
TIRES & RIMS	431-432
BULK ITEMS	433-434
NUMERICAL INDEX	435-493
NUMERICAL INDEX	435-493

GENERAL INFORMATION

When using the machine serial number, use the complete number.

Some Serial Number breaks are not available at time of printing. These are listed as & Below or & Above.

The number shown in the quantity column in this manual is the number of parts needed for the illustration on the page. For some parts an "x" will be shown in the quantity column. This "x" indicates that the quantity to be used is "As Needed".

When references L.H. and R.H. are used in this manual, it is done from the operator's seat in the forward operating position.

Some of the illustrations and information found in this parts manual were supplied to Bobcat by machine component companies.

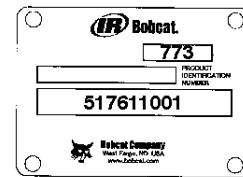
ABBREVIATIONS & SYMBOLS

- SALES** = Order from Gwinner Sales Department
- NSS** = Not Serviced Separately
- NAP** = Not Available as Parts
- *** = Changed or Added Sections, Pages or Part Numbers

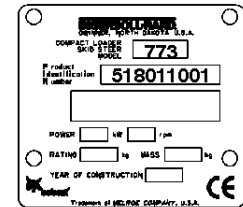
Disposition Code Definition (Found in the Remarks Column)

- [A]** = Use Up
- [B]** = Use Up on Other Application (See PNI)
- [C]** = File PDR Report With Bobcat Parts Sales
- [D]** = Part Number Error

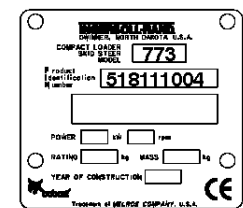
Explications en francais	Grid Nb	3
Erklärungen auf deutsch	Grid Nb	4
Spiegazioni in italiano	Grid Nb	5
Explicaciones en espanol	Grid Nb	6
Verklaring in het Nederlands	Grid Nb	7



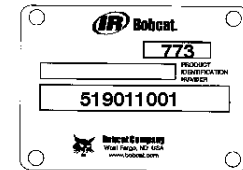
Domestic



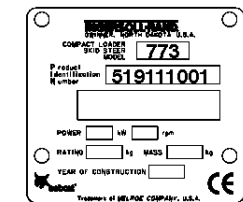
Export



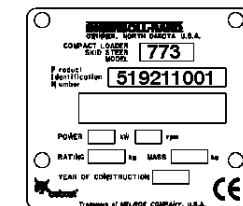
Hi Flow Export



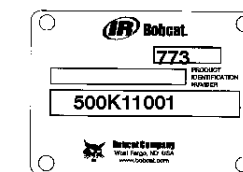
Turbo Engine Domestic



Turbo Engine Export

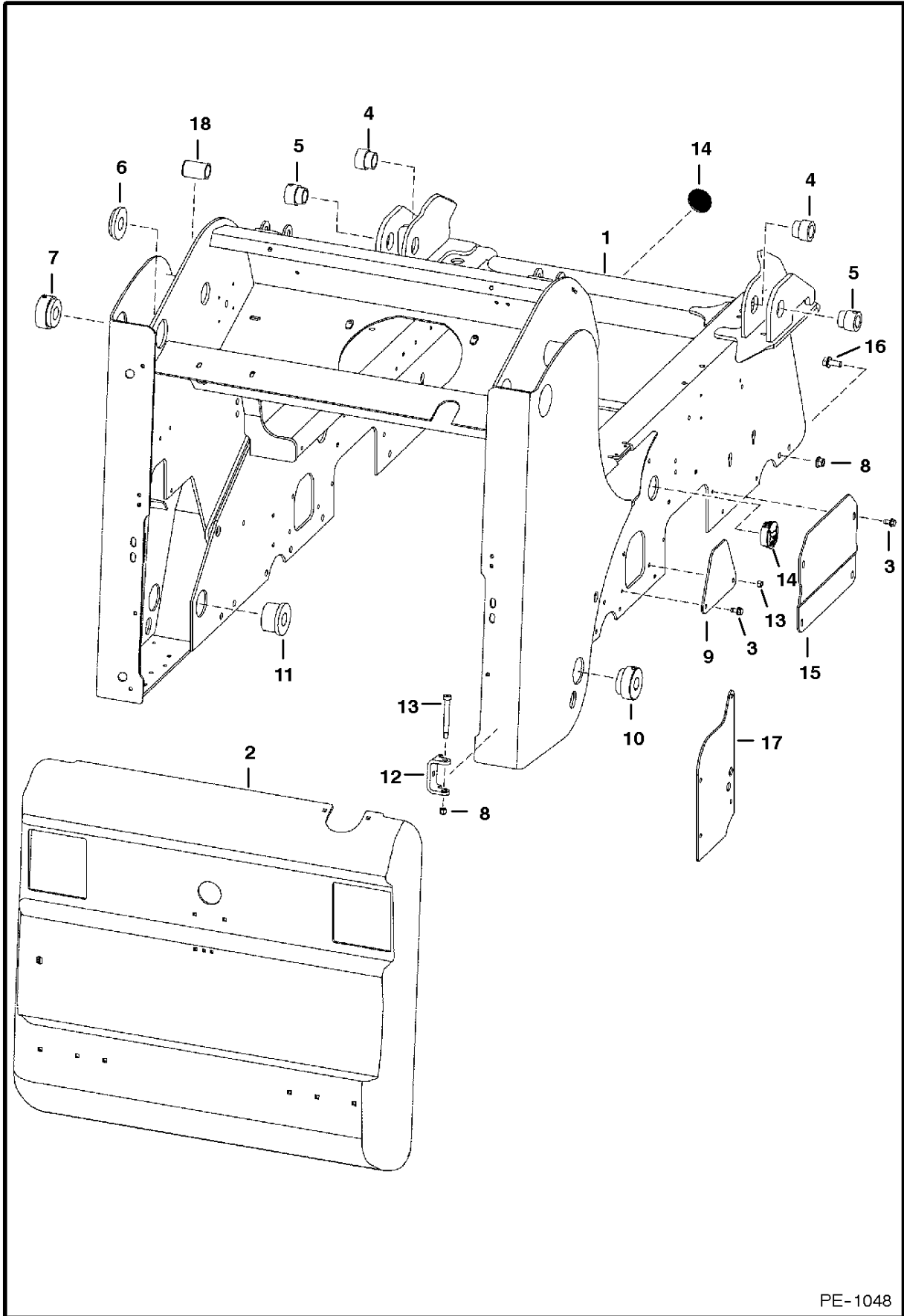


Turbo Engine,
High Flow Export



Limited Edition

MAIN FRAME



PE-1048

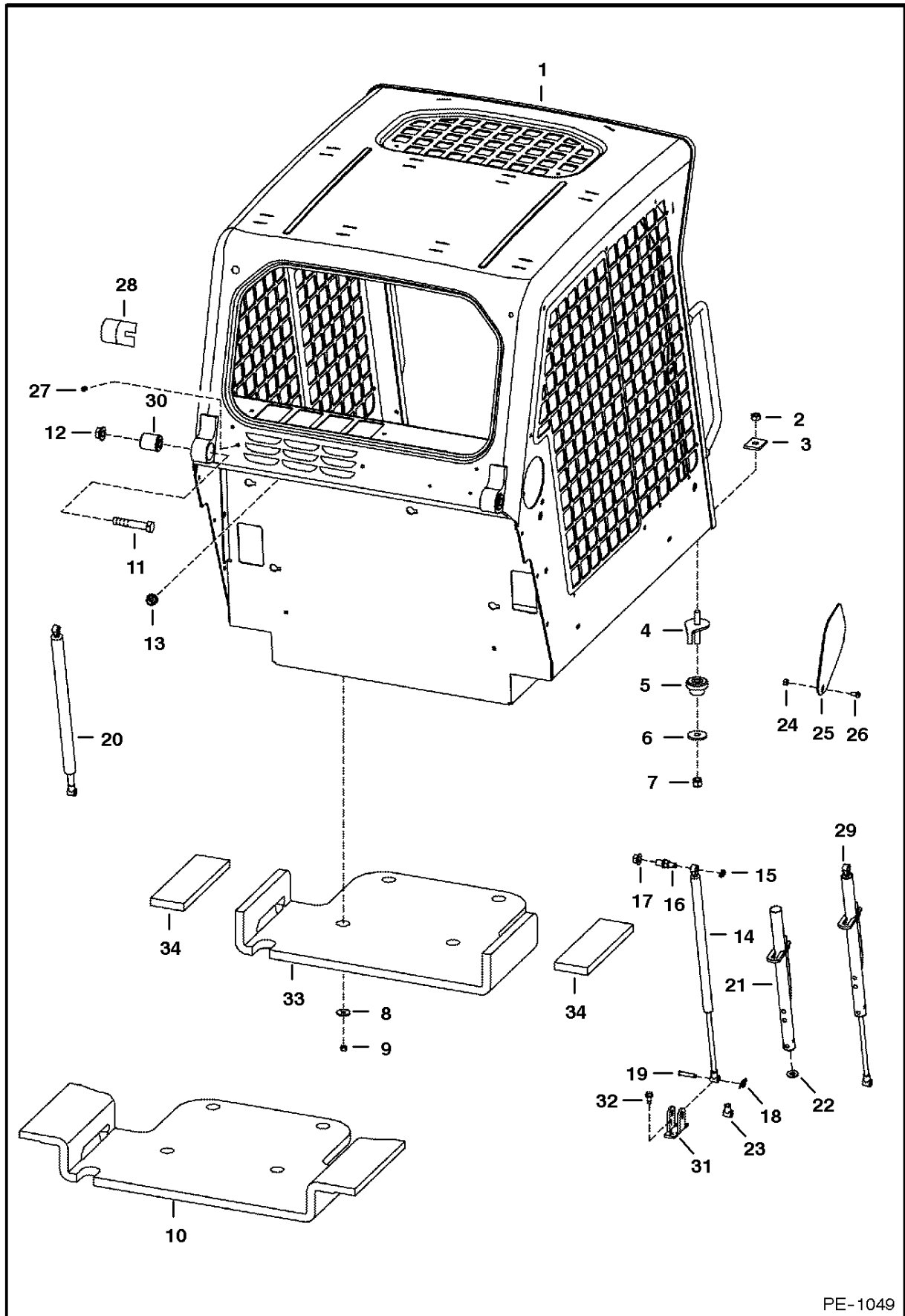
MAIN FRAME

Ref.N°	Part N°	Description	Remarks	Serial N°	Qty.
1	6717052	MAIN FRAME		5176 18740 & Bel	1
1				5180 12130 & Bel	1
1				5181 12066 & Bel	1
1				5190 17712 & Bel	1
1				5192 12070 & Bel	1
1	6726150	MAIN FRAME		500K 11001 & Abv	1
1				5176 18741 & Abv	1
1				5180 12131 & Abv	1
1				5181 12067 & Abv	1
1				5190 17713 & Abv	1
1				5192 12071 & Abv	1
2	6711524	REAR DOOR	See Page REAR DOOR(1)		1
3	84G-3712	BOLT		5176 18740 & Bel	11
3				5180 12130 & Bel	11
3				5181 12066 & Bel	11
3				5190 17712 & Bel	11
3				5192 12070 & Bel	11
3	84G-3712	BOLT		500K 11001 & Abv	23
3				5176 18741 & Abv	23
3				5180 12131 & Abv	23
3				5181 12067 & Abv	23
3				5190 17713 & Abv	23
3				5192 12071 & Abv	23
4	6717278	BUSHING	weld on		2
5	6717277	BUSHING	weld on		2
6	6717356	BUSHING	weld on		2
7	6717357	BUSHING	weld on		2
8	83D-8	NUT		5176 18740 & Bel	28
8				5180 12130 & Bel	28
8				5181 12066 & Bel	28
8				5190 17712 & Bel	28
8				5192 12070 & Bel	28
8	83D-8	NUT		500K 11001 & Abv	26
8				5176 18741 & Abv	26
8				5180 12131 & Abv	26
8				5181 12067 & Abv	26
8				5190 17713 & Abv	26
8				5192 12071 & Abv	26
9	6718791	COVER		5176 18740 & Bel	2
9				5180 12130 & Bel	2
9				5181 12066 & Bel	2
9				5190 17712 & Bel	2
9				5192 12070 & Bel	2
9	6726069	COVER		500K 11001 & Abv	2
9				5176 18741 & Abv	2
9				5180 12131 & Abv	2
9				5181 12067 & Abv	2
9				5190 17713 & Abv	2
9				5192 12071 & Abv	2
10	6717358	BUSHING	weld on		2
11	6717359	BUSHING	weld on		2
12	6708987	BRACKET	hinge - weld on		2
13	61D-6	NUT			1
14	6718796	PLUG			3
15	6706808	COVER			2

MAIN FRAME

Ref.N°	Part N°	Description	Remarks	Serial N°	Qty.
16	31C-820	BOLT		5176 18740 & Bel	28
16				5180 12130 & Bel	28
16				5181 12066 & Bel	28
16				5190 17712 & Bel	28
16				5192 12070 & Bel	28
16	31C-820	BOLT		500K 11001 & Abv	26
16				5176 18741 & Abv	26
16				5180 12131 & Abv	26
16				5181 12067 & Abv	26
16				5190 17713 & Abv	26
16				5192 12071 & Abv	26
17	6726062	SHIELD		500K 11001 & Abv	2
17				5176 18741 & Abv	2
17				5180 12131 & Abv	2
17				5181 12067 & Abv	2
17				5190 17713 & Abv	2
17				5192 12071 & Abv	2
18	6718994	MOUNT	weld on		2

OPERATOR CAB

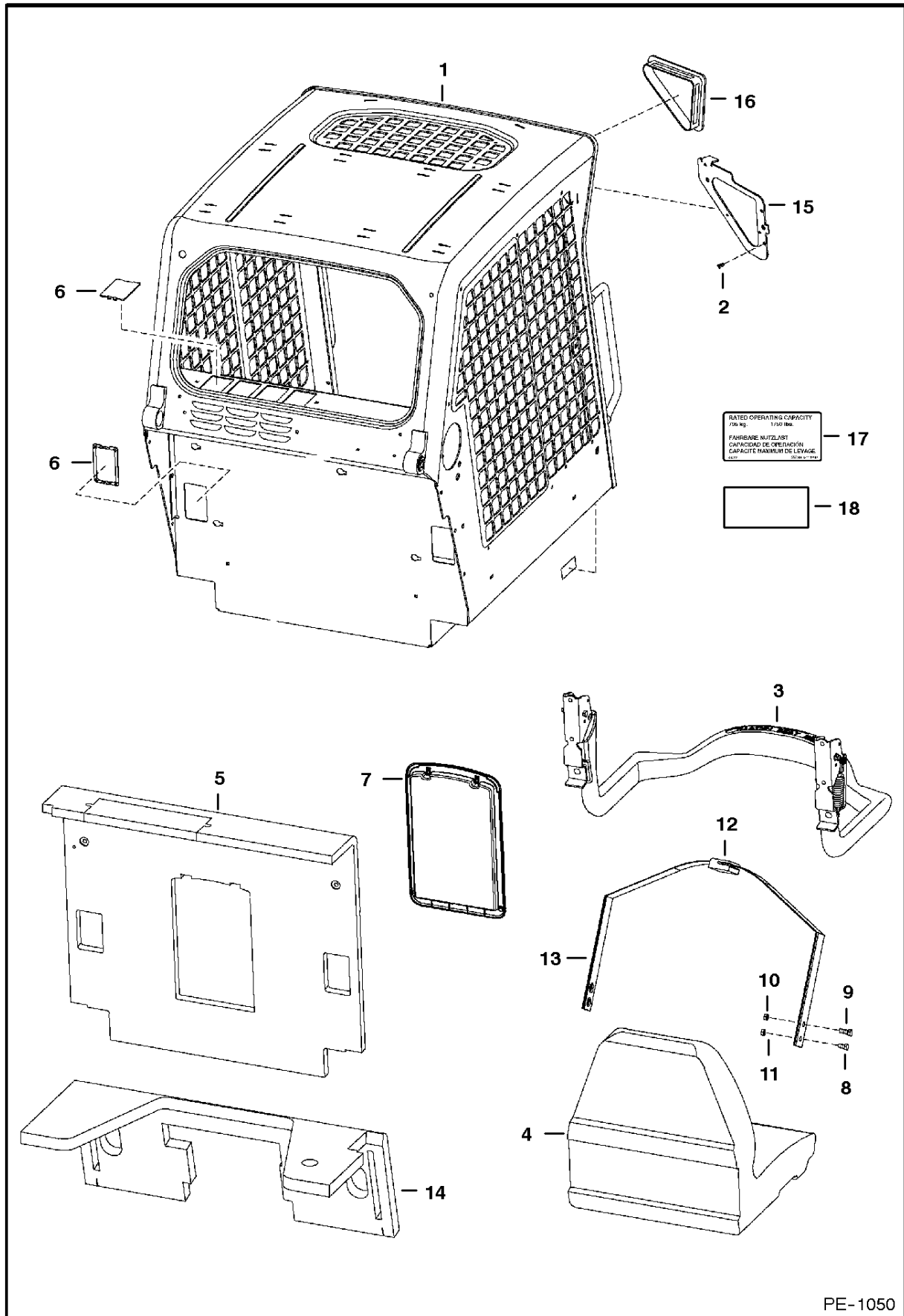


PE-1049

OPERATOR CAB

Ref.N°	Part N°	Description	Remarks	Serial N°	Qty.
1	6719672	OPERATOR CAB	includes cab decals		1
2	59D-8	NUT			2
3	6553709	WASHER	rectangular		2
4	6702971	BOLT			2
5	6560633	MOUNT			2
6	6515817	WASHER			2
7	85D-8	NUT			2
8	619021	WASHER			4
9	59D-5	NUT			4
10	NAP	INSULATION	seat pan - Order Ref. OPERATOR CAB(33) & (2) of Ref. OPERATOR CAB(34) - Was 6719360 [A]		1
11	17C-1056	BOLT			2
12	53D-10	NUT			2
13	53D-6	NUT			4
14	6675135	GAS SPRING	R.H.		1
15	6675140	SNAP RING			2
16	6719064	MOUNT	Was 6719005 [A]		2
17	95D-8	NUT	Was 83D-8 [B]		2
18	6631418	PIN	ring		2
19	6567743	PIN			2
20	6675134	GAS SPRING	L.H.		1
20	6675136	GAS SPRING	L.H. - heavy duty		1
21	6708189	TUBE	stop - R.H.		1
22	6701174	WASHER			1
23	6675257	ROD END			1
24	95D-5	NUT			2
25	6718784	COVER			2
26	25G-512	BOLT	Was 25G-510 [B]		2
27	6675033	INSERT	filter cover		2
28	6579613	STOP			2
29	NAP	GAS SPRING	R.H. - W/latch - Order Ref. OPERATOR CAB(14) & OPERATOR CAB(21)-OPERATOR CAB(23) - Was 6719072 [A]5com35/ }H~10{M		x
30	6562602	BUSHING			2
31	84G-3112	BOLT			4
32	6706349	MOUNT	gas spring		2
33	6729013	INSULATION	seat pan		1
34	6729012	INSULATION	seat pan		2

OPERATOR CAB



OPERATOR CAB

Ref.N°	Part N°	Description	Remarks	Serial N°	Qty.
1	6719672	OPERATOR CAB	includes cab decals		1
2	6675033	INSERT	See Page CAB ELECTRICAL CIRCUITRY(1)		6
3		SEAT BAR	See Page SEAT & SEAT BAR(1)		1
4	6669135	SEAT	See Page SEAT(1)		1
5	6719504	INSULATION	W/Ref. OPERATOR CAB(7)		1
6	6718101	COVER			6
7	6719503	CONTAINER	manuals		1
7	6675524	CLIP			2
7	6725301	COVER			1
7	6725303	FRAME			1
8	17C-612	BOLT			2
9	17C-716	BOLT			2
10	85D-7	NUT			2
11	85D-6	NUT			2
12	NAP	SEAT BELT	Order 6675074inD1U Seat Belt & (2) of Ref. OPERATOR CAB(13) (6725373inD1S Spring Plate) - Was 6667875 [A]		1
12	NAP	SEAT BELT	W/spring plates - Order 6675074inD1U 6Seat Belt & (2) of Ref. OPERATOR CAB(13) (6725373inD1S Spring Plate) - Was 6725403 [A]		1
12	6675074	SEAT BELT	W/O spring plates		1
13	NAP	GUIDE ASSY	Order 6711908inD1s Spring Plate, 6565355inD1q Guide & (2) of 6630207inD1D Rivets - Was 6711907 [A]		2
13	6711908	SPRING PLATE	Use W/Ref. OPERATOR CAB(12) (NAP/6667875 Seat Belt)		2
13	6565355	GUIDE			2
13	6630207	RIVET			4
13	6725373	SPRING PLATE	6Use W/Ref. OPERATOR CAB(12) (6675074inD1U Seat Belt)		2
14	6718489	INSULATION	steering panel		1
15	NSS	PLATE	R.H. - weld on		1
15	NSS	PLATE	L.H. - weld on		1
16	6674403	COVER	no lights		2
17	6718200	DECAL	load		1
18	6804790	DECAL	capacity		1

Thank you so much for reading.
Please click the “Buy Now!”
button below to download the
complete manual.



After you pay.

You can download the most
perfect and complete manual in
the world immediately.

Our support email:

ebooklibonline@outlook.com