

8

5

3



Parts Manual

S/N 5128 11001 - 15999

S/N 5102 50001 & Above

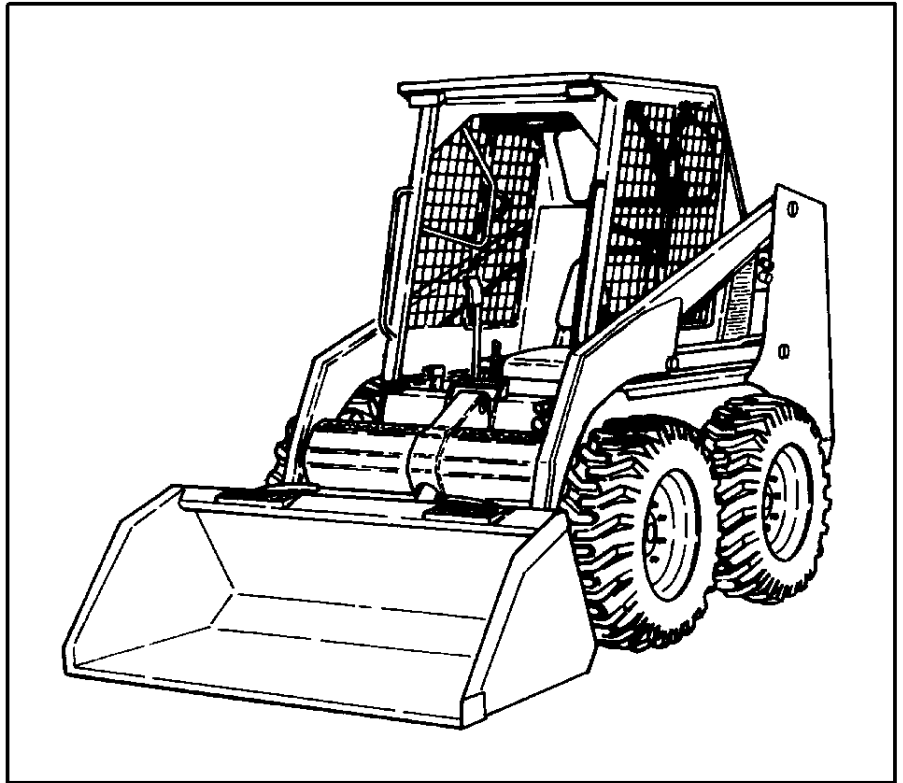
S/N 5103 75001 & Above

S/N 5084 15001 - 17999

S/N 5097 15001 - 17999

S/N 5101 25001 & Above

EQUIPPED WITH BOBCAT INTERLOCK
CONTROL SYSTEM (BICS™)



PUBLICATION # 6722961 (10-98)

REPLACES # 6722961(3-95)

MELROE
INGERSOLL-RAND



Printed in U.S.A.

© Melroe Company 1998

853 BASE PLUS DELUXE ALPHABETICAL INDEX

ADHESIVE	P20	MANIFOLD	I14
AIR CLEANER	H10, H16, J8	MODULE, AUX. CONTROLS	G8
ALTERNATOR .	G14, G18, H2, I2, K15	MOTOR, HYDRO.	E14, F2, F12
ANTI-FREEZE	P20	MOUNT, ENGINE	I2
AXLE	B16	MOUNT, HYDO. PUMP	H18, I2
BATTERY	G14, G18	MUFFLER, PURIFIER	O2
BELT, ALTERNATOR	I2	MUFFLER	H10, H14
BELT, COOLING FAN DRIVE	H18	OIL COOLER	E18, E22, F6
BELT, MAIN DRIVE	H20	PANEL, INSTRUMENT	G8
BLACK GOLD	P20	PEDALS, CONTROL	C12
BOB-TACH	A22, B2	PISTON	I24
BOOT, RUBBER	B4	PUMP, GEAR	G1, G2
BRAKES	B12	PUMP, HYDRO	D20, E16, F14
BUCKET POS. KIT	J19	PUMP, INJECTION	J6
CAB ENCLOSURE	K6, K9	PUMP, OIL	I20
CAB	A14	PUMP, WATER	J2
CABLE, BATTERY	G14, G18	QUICK COUPLERS C2, C4, M18, O6, O10	
CAMSHAFT	I18	RADIATOR	H6
CAP, FUEL	B6	RIM	P15
CAP, HYD. OIL	E14, F2	RING GEAR	H18
CAP, RADIATOR	H6	SEALANT	P20
CHAIN, DRIVE	B8	SEAT BAR	A16
CHAINCASE	A12, B8	SEAT BELT	A16, P14
COOLING FAN DRIVE ASSY.	I10	SEAT	A16, A17, P10, P12
CRANKSHAFT	I24	SENDER, FUEL	G14, G18
CYLINDER BLOCK	I20	SENDER, HYDRO. PRESS.	G14
CYLINDER HEAD	I16	SENDER, FUEL	B6
CYLINDER, LIFT .	B18, B22, C9, C10	SENSOR, ENG. OIL PRESS.	G14
CYLINDER, TILT	B18, B22, C6, C8	SENSOR, ENG. TEMP.	G14
DIPSTICK, ENG. OIL	I20	SENSOR, HYDRO. TEMP.	G14
DOOR, CAB	J22, K6	SHOCK, CONTROLS	F10
DOOR, REAR	A12, A20	SHORT BLOCK	I12
ENGINE	H16, I12	SOLENOID	G14, G18, M16, O6
EXTINGUISHER	M12	SPROCKET, AXLE	B16
FAN	H6	STARTER	G14, G18, H4, I2
FILTER, AIR	J8	STOP, LIFT ARM	A22
FILTER, ENG. OIL	H10, H14	STROBE LIGHT	P5, P6, P7
FILTER, FUEL	B6	SWITCH, ENG. OIL PRESS.	G18
FILTER, HYD. OIL ..	E18, E22, F6, G6	SWITCH, ENG. TEMP.	G18
FIRE EXTINGUISHER	M12	SWITCH, HYDRO. PRESS. .	E22, G18
FUEL SYSTEM	B6	SWITCH, HYDRO. TEMP.	G18
GAS SPRING	A14, H10, H14, J22, K6	SWITCH, IGNITION	G8, G12
GLOW PLUG	J6	SWITCH, LIGHT	G8
HARNES, CAB	G8	TANK, COOLANT	H6
HARNES, ENGINE	G14, G18	TANK, FUEL	B6
HARNES, LIGHTS	N24	TANK, HYDRO.	E14, F2
HEATER	N10, N11	THERMOSTAT	J1
HOOD, ENGINE	A12, H10, H14	THROTTLE	I6
HORN	N16	TIRE	P15
HOURMETER KIT	N18	VALVE STEM	P15
HUB, AXLE	B16	VALVE, DIVERTER	M18, O6
INJECTION NOZZLES	J6	VALVE, ENGINE	I16
LATCH, REAR DOOR	A20	VALVE, FRONT AUX.	D12
LIGHTS, FLASHER	M13	VALVE, HYD. CONTROL C16-D6, E4, E8	
LOCK, REAR DOOR	O17	WINDOW, REAR	K12
LUBRICANT	P20	WINDOW, SIDE	K12
		WINDSHIELD WIPER	J22, O16

853 BASE/ PLUS/ DELUXE CONTENTS

MAIN FRAME	12-33
MAIN FRAME	12-13
OPERATOR CAB	14-15
SEAT & SEAT BAR	16-17
SEAT	18-19
*SEAT	20-21
REAR DOOR	22-23
LIFT ARM & BOB-TACH	24-27
BOB-TACH	28-29
PANELS	30-31
FUEL SYSTEM	32-33
DRIVE SYSTEM	34-45
DRIVE TRAIN	34-35
GEARCASE	36-39
DISC BRAKE	40-43
AXLE	44-45
HYDRAULIC SYSTEM	46-89
HYDRAULIC CIRCUITRY	46-53
AUXILIARY HYDRAULICS	54-57
TILT CYLINDER	58-61
LIFT CYLINDER	62-65
CONTROL PEDALS	66-69
HYDRAULIC CONTROL VALVE	70-77
* HIGH HORSEPOWER HYDRAULICS (SERVICE CONTROL VALVE)	78-81
* HYDRAULIC CONTROL VALVE (SERVICE VALVE)	82-85
BUCKET POSITIONING VALVE	86-87
FRONT AUXILIARY VALVE	88-89
HIGH HORSEPOWER HYDRAULICS	90-113
HIGH HORSEPOWER HYDRAULICS	90-113
HYDROSTATIC SYSTEM	114-159
HYDROSTATIC CIRCUITRY	114-133
HAND CONTROLS	134-135
HYDROSTATIC MOTOR	136-137
HYDROSTATIC PUMP	138-149
GEAR PUMP	150-153
HYDROSTATIC OIL FILTER	154-159
ELECTRICAL SYSTEM	160-181
CAB ELECTRICAL CIRCUITRY	160-165
ENGINE ELECTRICAL CIRCUITRY	166-173
CONTROLS ELECTRICAL CIRCUITRY	174-177
ALTERNATOR	178-179
STARTER	180-181
POWER UNIT	182-235
COOLING SYSTEM	182-185
ENGINE & ATTACHING PARTS	186-205
THROTTLE	206-209
COOLING FAN DRIVE ASSY.	210-211
ENGINE & GASKET KITS	212-213
MANIFOLDS	214-215
CYLINDER HEAD & COVER	216-217
CAMSHAFT & TIMING GEAR	218-219
CRANKCASE & OIL PAN	220-223
PISTON & CRANKSHAFT	224-225
THERMOSTAT HOUSING	226-227

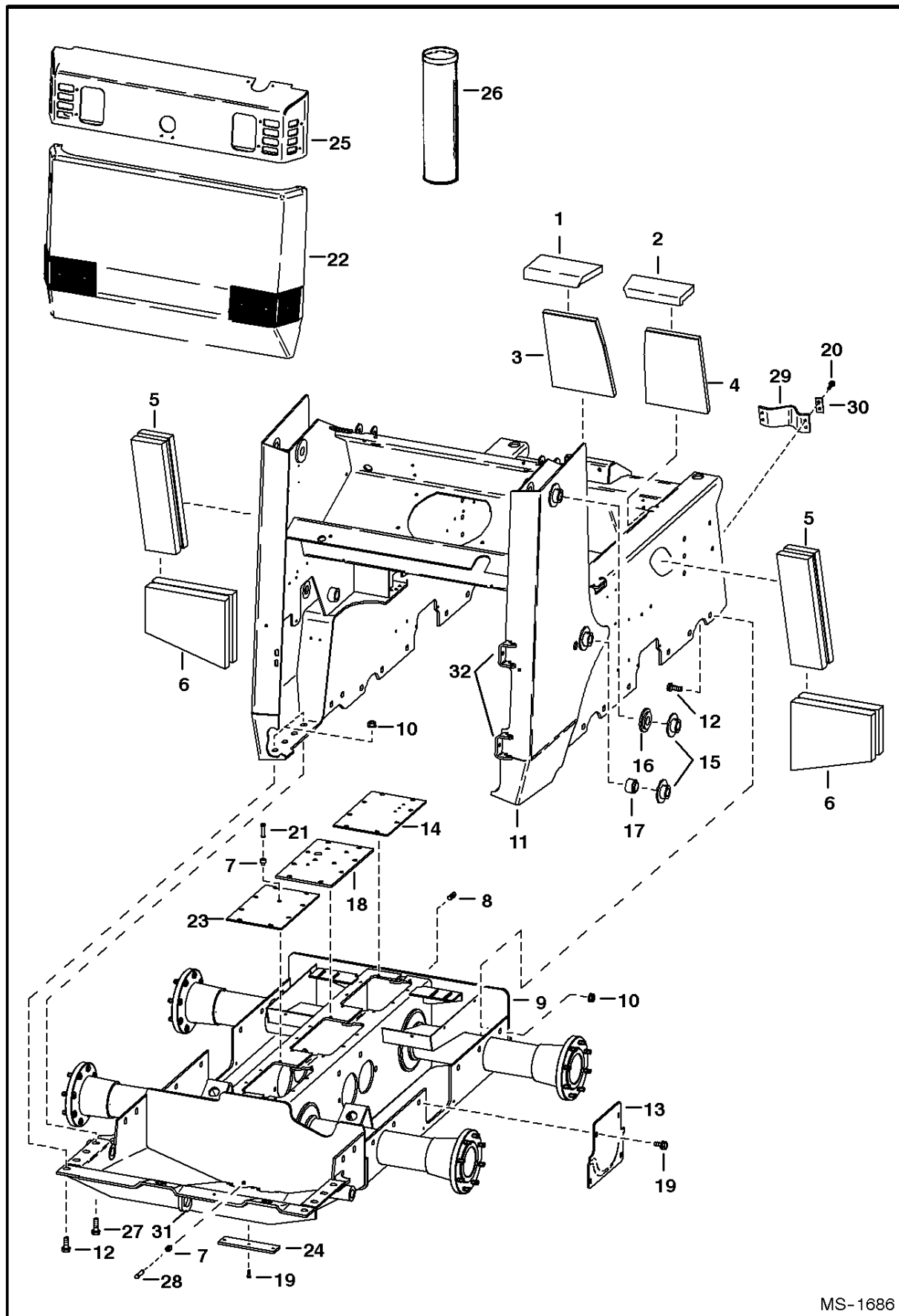
853 BASE/ PLUS/ DELUXE CONTENTS (CONT'D)

POWER UNIT (CONT'D)	182-235
WATER PUMP	228-229
FUEL INJECTION SYSTEM	230-233
AIR CLEANER	234-235
ACCESSORIES & OPTIONS	239-400
ACCESS COVER	239-242
BACK-UP ALARM KIT	243-244
BOB-TACH LEVERS	245-246
* BEACON LIGHT	247-248
BLOCK HEATER	249-250
BUCKET POSITION ON-OFF	251-252
BUCKET POSITIONING VALVE KIT	253-254
BUMPERS	255-256
CAB DOOR	257-264
CAB ENCLOSURE	265-270
CAB WINDOWS	271-274
CLOSED ALTERNATOR	275-278
DECALS	279-282
ELECTRICAL CONTROLS KIT	283-288
EXPORT ACCESSORIES (SOUND OPTION)	289-290
* ENGINE MOUNT KITS	291-292
EXPORT ACCESSORIES	293-294
* EXPORT ACCESSORIES	295-296
* FIRE EXTINGUISHER	297-298
* FLASHER LIGHTS	299-300
FRONT AUXILIARY	301-304
HAND CONTROLS KIT	305-310
* HANDLE KITS	311-312
* HEATER KIT (FRESH AIR)	313-316
* HEATER (FRESH AIR)	317-318
* HEATER PLUMBING KIT (FRESH AIR)	319-320
* HEATER KIT	321-322
* HEATER	323-324
* HEATER PLUMBING KIT	325-326
HOOD KIT	327-328
HORN KIT	329-334
HOURMETER KIT	335-336
* KEYLESS IGNITION	337-338
LIFT KIT	339-344
LIGHT KIT	345-346
MUFFLER/PURIFIER KIT	347-348
* MUFFLER/PURIFIER KIT	349-350
RADIATOR SCREEN KIT	351-352
REAR AUXILIARY	353-360
REAR AUXILIARY VALVE	261-362
* REAR WIPER KIT	363-364
REAR DOOR LOCK	365-366
SEAT BAR KIT	367-368
* SEAT BAR KIT	369-372
SOUND OPTION	373-376
STROBE LIGHT	377-380
* STROBE LIGHT	381-382
SUSPENSION SEAT (MILSCO)	383-384
* SUSPENSION SEAT (MICHIGAN)	385-386
SUSPENSION SEAT (GRAMMER)	387-388

853 BASE/ PLUS/ DELUXE CONTENTS (CONT'D)

ACCESSORIES & OPTIONS (CONT'D)	239-400
3" SEAT BELT	389-390
TIRES & RIMS	391-392
* TIRES & RIMS (SOLID TIRE - LATCO)	393-394
TIRES & RIMS (SOLID TIRE - SETCO)	395-396
TOOL BOX	397-398
BULK ITEMS	399-400
NUMERICAL INDEX	401-404
NUMERICAL INDEX	401-404

MAIN FRAME



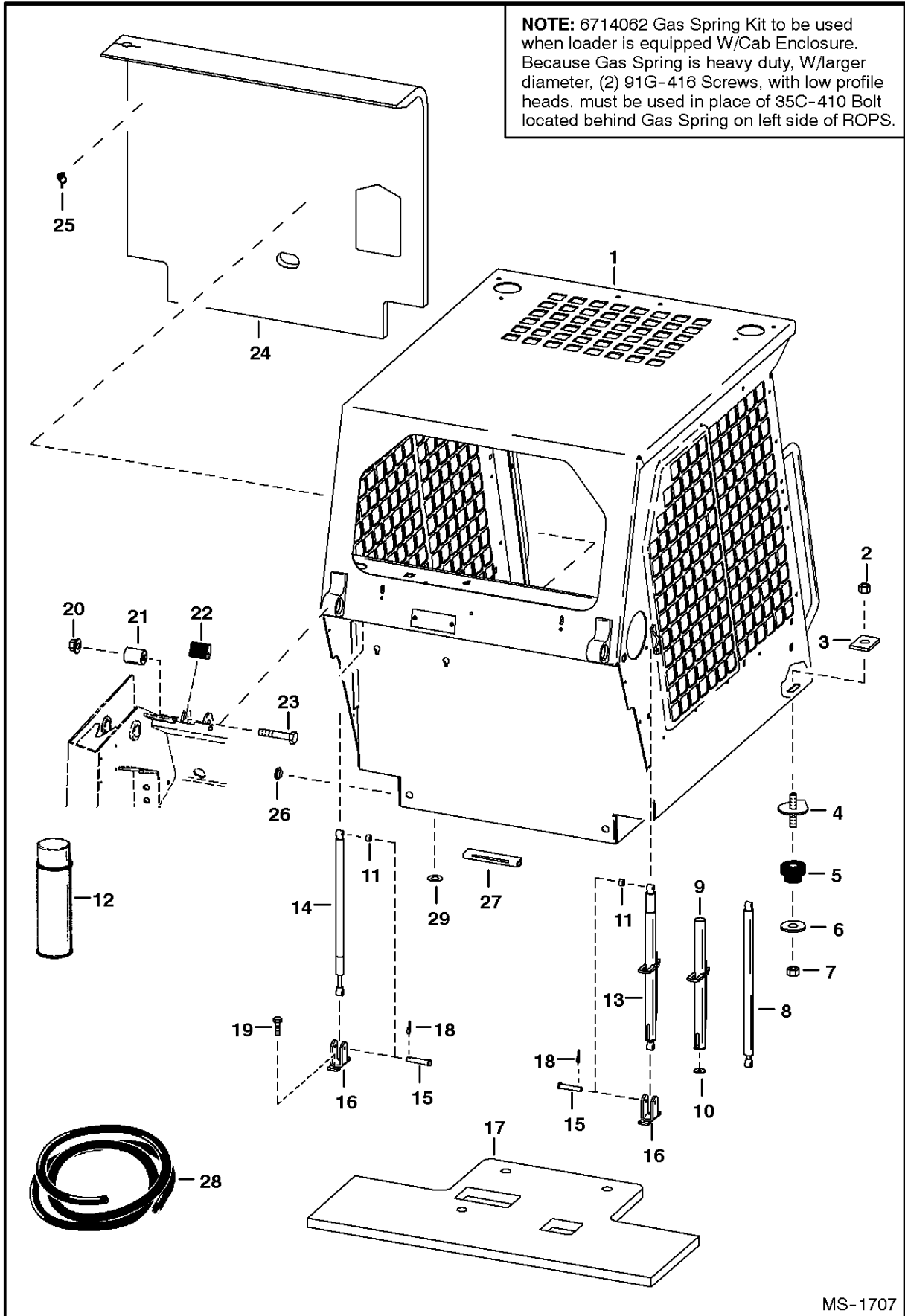
MS-1686

MAIN FRAME

Ref.N°	Part N°	Description	Remarks	Serial N°	Qty.
1	6703963	INSULATION	crossmember		1
2	6703964	INSULATION	crossmember		1
3	6703965	INSULATION	crossmember		1
4	6703969	INSULATION	crossmember		1
5	6703967	INSULATION	fender		2
6	6703968	INSULATION	transmission		2
7	6553411	BUSHING			2
8	11F-12	PLUG			1
9	6578976	CHAINCASE	See Page DRIVE TRAIN(10)		1
10	83D-12	NUT			24
11	6579513	MAIN FRAME			1
12	31C-1228	BOLT			20
13	6703189	COVER			2
14	6578505	COVER	See Page DISC BRAKE(7)		1
15	6702584	BUSHING	weld on		4
16	6702583	BUSHING	weld on		2
17	6555987	BUSHING	weld on		6
18		COVER	See Page DISC BRAKE(1)		1
19	84G-3712	BOLT			8
20	84G-3716	BOLT			8
21	6646626	BREATHER			1
22		REAR DOOR	See Page REAR DOOR(10)		1
23	6700330	COVER	See Page DISC BRAKE(7)		1
24	6700182	COVER			1
25		HOOD	See Page ENGINE & ATTACHING PARTS(1)		1
26	6633583	SEALANT	chaincase cover		x
27	31C-1232	BOLT			4
28	6599645	PLUG			1
29	6702164	SPACER	flexible		2
30	6579106	SHIM			4
31	6706485	HOOK	tie down - weld on - front & rear		2
32	6577394	BRACKET	hinge - weld on		2

OPERATOR CAB

NOTE: 6714062 Gas Spring Kit to be used when loader is equipped W/Cab Enclosure. Because Gas Spring is heavy duty, W/larger diameter, (2) 91G-416 Screws, with low profile heads, must be used in place of 35C-410 Bolt located behind Gas Spring on left side of ROPS.

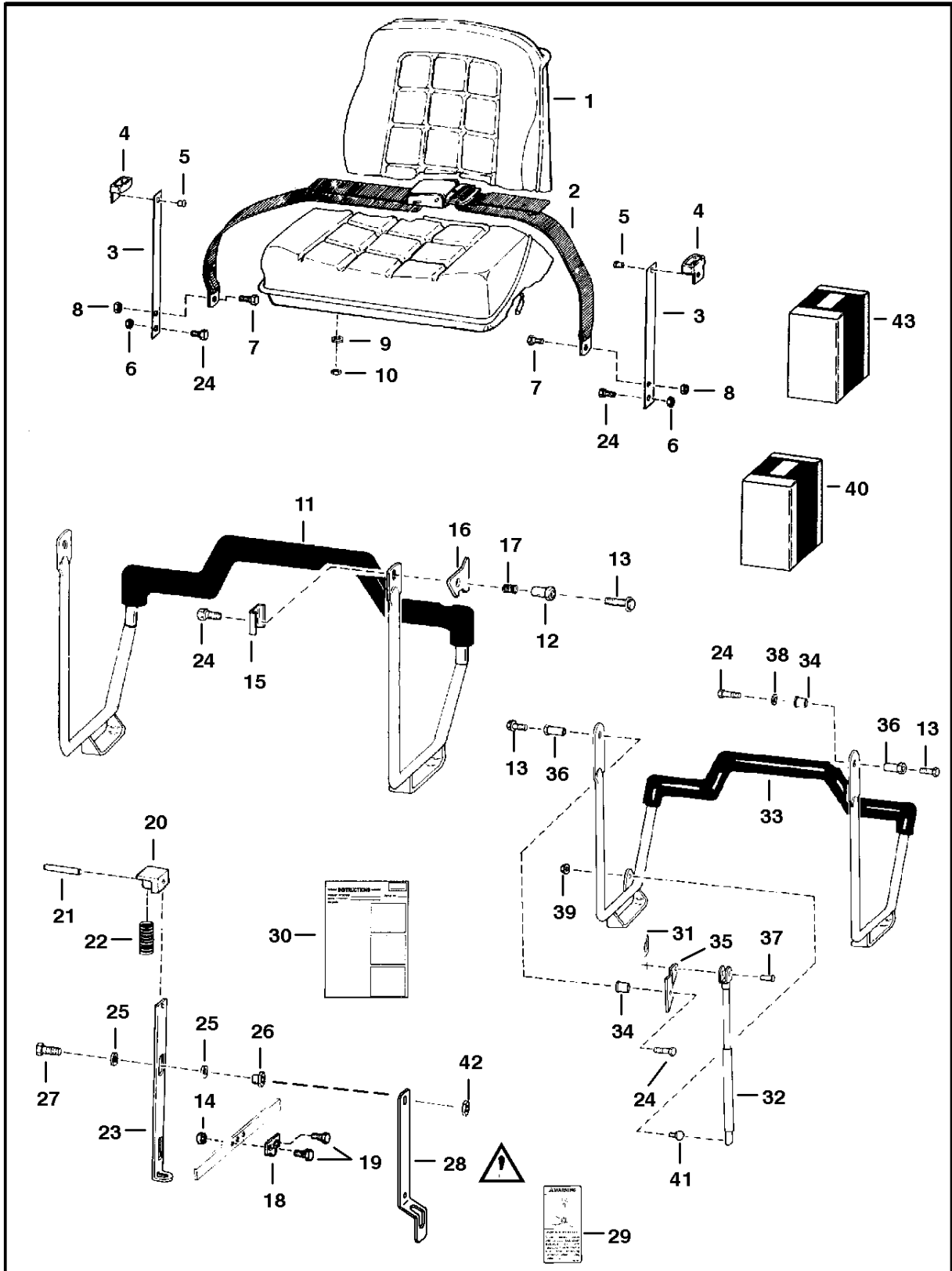


MS-1707

OPERATOR CAB

Ref.N°	Part N°	Description	Remarks	Serial N°	Qty.
1	6701957	OPERATOR CAB	W/Decals - Also Order (2) of Ref. OPERATOR CAB(29)		1
2	59D-8	NUT			2
3	6553709	WASHER			2
4	6702971	BOLT			2
5	6560633	MOUNT			2
6	6515817	WASHER			2
7	85D-8	NUT			2
8	6664205	GAS SPRING	Was 6655389 [A]		1
9	6708189	TUBE	stop - Was 6701175 [A]		1
10	6701174	WASHER			1
11	6567604	SPACER			2
12	6652818	ADHESIVE	insulation - 24 oz. spray can		x
13	NAP	GAS SPRING	Order Ref. OPERATOR CAB(8)-OPERATOR CAB(10) Was 6701176[A]		1
14	6700171	GAS SPRING	W/O Lock - Was 6706590 [A]		1
14	6714062	KIT	W/O Lock - Heavy Duty, Gas Spring - See Note		1
14	91G-416	BOLT	SEE NOTE		2
14	6900531	INSTRUCTIONS	For Kit 6714062		1
15	6567743	PIN			4
16	6706349	MOUNT	Was 6576340 [A]		2
17	6706982	INSULATION	seat pan - use W/Ref. OPERATOR CAB(12) - Was 6700286 [A]		1
18	6631418	PIN	ring		4
19	84G-3112	BOLT			4
20	53D-10	NUT	Was 83D-10 [B]		2
21	6562602	BUSHING	rubber		2
22	6579613	STOP	cab tilt		2
23	17C-1056	BOLT			2
24	6706569	INSULATION	seat back - use W/Ref. OPERATOR CAB(12) - Was 6701553 [A]		1
24	6708682	INSULATION	seat back - shown - Use W/Ref. OPERATOR CAB(25) - Was 6705816 [A]		1
25	6664310	CLIP	insulation		8
26	6664374	PLUG	heater hole		5
27	NAP	SEAL	6'(152,4 mm) long-Order Ref. OPERATOR CAB(28)	5101 25001 & Abv.	1
28	6512686	SEAL	bulk - Sold Per Foot		x
29	6707318	GUIDE	spacer - for seat rear mounting bolts		2

SEAT & SEAT BAR



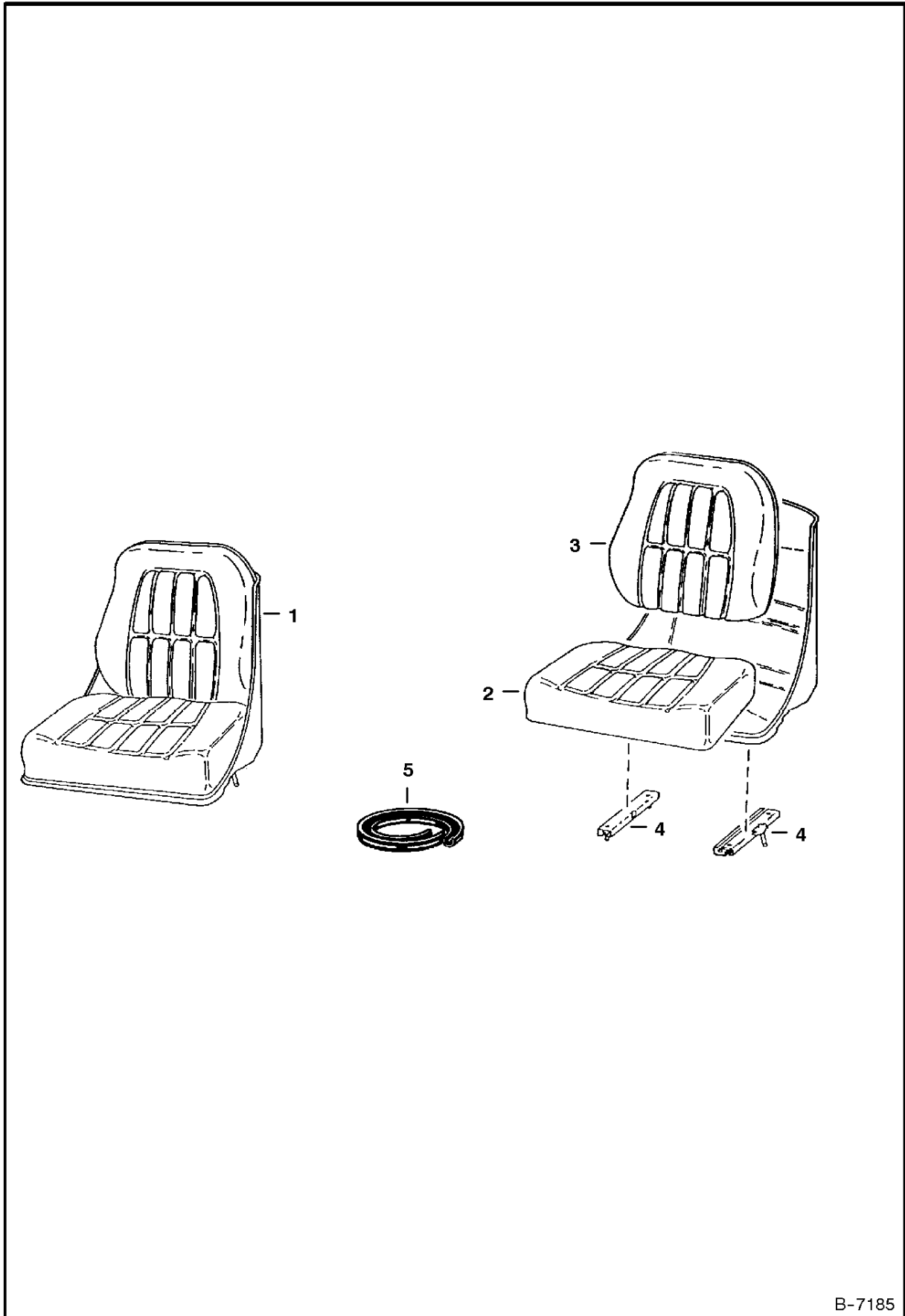
WARNING: Never operate loader without pedal lock shield 6705474 on both interlocks. Shields prevent foot from unlocking interlocks when leaving loader seat.

B-20361

SEAT & SEAT BAR

Ref.N°	Part N°	Description	Remarks	Serial N°	Qty.
1		SEAT	See Page SEAT(1)		1
2	NAP	SEAT BELT	Order Ref. SEAT & SEAT BAR(43) - Was 6564774 [A]		1
2	6667875	SEAT BELT			1
3	NAP	GUIDE ASSY.	W/Ref. SEAT & SEAT BAR(4) & SEAT & SEAT BAR(5) - 13.75 - used W/6564774 - Was 6565354 [A]		2
3	6711907	GUIDE ASSY.	W/Ref. SEAT & SEAT BAR(4) & SEAT & SEAT BAR(5) - 12.25 - used W/6667375		2
4	6565355	GUIDE			2
5	6630207	RIVET	Was 6512797 [A]		4
6	85D-6	NUT			2
7	17C-716	BOLT			2
8	85D-7	NUT			2
9	4E-5	WASHER			4
10	61D-5	NUT			4
11	6706324	SEAT BAR	one piece - Was 6703301 [A]		1
12	6568742	BUSHING			2
13	35C-608	BOLT			2
14	83D-6	NUT			8
15	6563557	WASHER			2
16	6563313	RETAINER			2
17	6704453	SPRING	Was 6578252 [A]		2
18	6563151	LINK			2
19	17C-616	BOLT			4
20	6563148	BLOCK			2
21	14J-2512	PIN			2
22	6702430	SPRING			2
23	6578150	LOCK			2
24	17C-612	BOLT			4
25	6700170	WASHER	plastic		8
26	6559479	NUT			4
27	6705489	BOLT	Was 84G-3724 [B]		4
28	6705474	LOCK SHIELD	Never operate loader without pedal lock shield on both interlocks ... SEE WARNING ON PREVIOUS PAGE		2
29	6705720	DECAL			1
30	6722392	INSTRUCTIONS	For Ref. SEAT & SEAT BAR(28)		1
31	6631418	PIN	ring		1
32	6664207	GAS SPRING			1
33	6706358	SEAT BAR	for use W/Gas Spring		1
34	6706387	BUSHING			2
35	6706388	BRACKET			1
36	6706389	BUSHING			2
37	4F-5062	PIN			1
38	25E-21	WASHER			1
39	83D-5	NUT			1
40	6706796	KIT	gas spring seat bar - See Page SEAT BAR KIT(1)		1
41	6649244	BALL STUD			1
42	59D-6	NUT			4
43	6713061	KIT	seat belt - W/Ref. SEAT & SEAT BAR(2) & SEAT & SEAT BAR(3)		1

SEAT

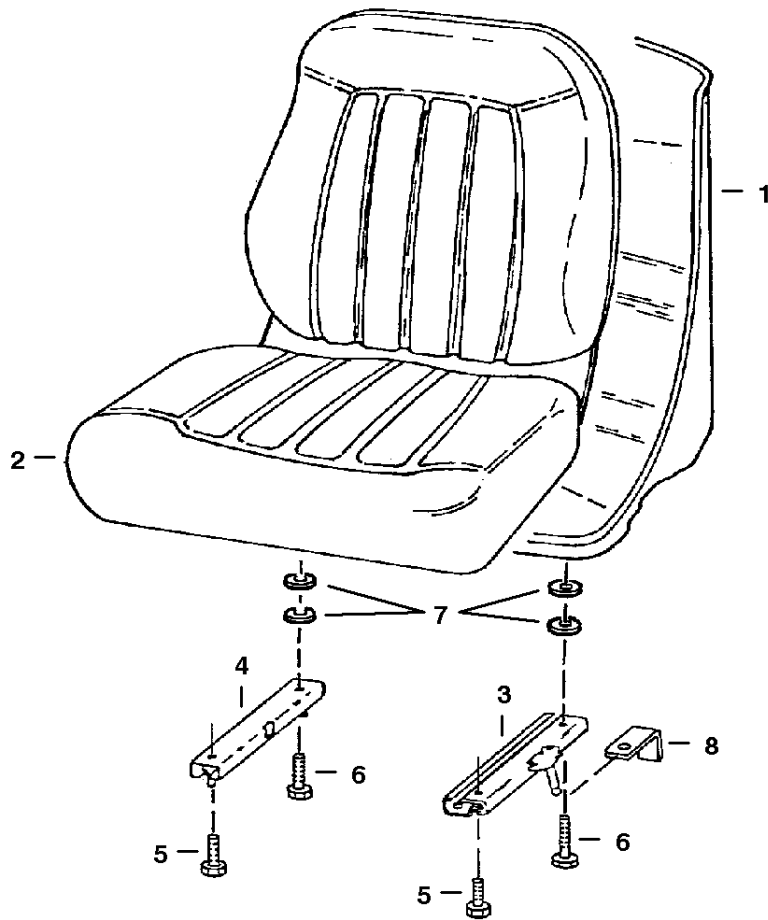


B-7185

SEAT

Ref.N°	Part N°	Description	Remarks	Serial N°	Qty.
1	6665401	SEAT			1
2	6630468	SEAT CUSHION	seat		1
3	6630465	BACK CUSHION	back		1
4	6630469	TRACK	W/Latch		1
4	6599780	TRACK	WO/Latch		1
5	6652935	EDGING	96" (2,4 m) For Ref. SEAT(2) & SEAT(3)		x
5	6665656	CLIP	splice		1

*** SEAT**



B-14720

Thank you so much for reading.
Please click the “Buy Now!”
button below to download the
complete manual.



After you pay.

You can download the most
perfect and complete manual in
the world immediately.

Our support email:

ebooklibonline@outlook.com