

8

5

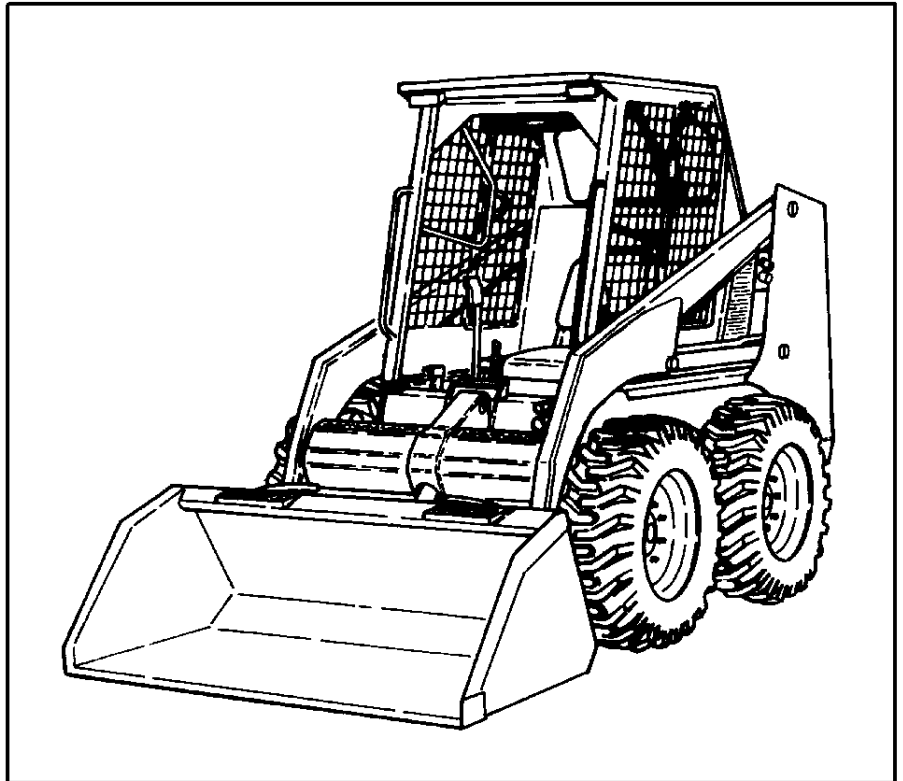
3



Parts Manual

S/N 5128 16001 & Above
S/N 5084 18001 & Above
S/N 5097 18001 & Above

EQUIPPED WITH BOBCAT INTERLOCK
CONTROL SYSTEM (BICS™)



PUBLICATION # 6724090 (11-98)

REPLACES # 6724090 (3-97)

MELROE
INGERSOLL-RAND



Printed in U.S.A.

© Melroe Company 1998

853 BICS ALPHABETICAL INDEX

ALTERNATOR	F22, G2, G12, H8
ANTI-FREEZE	P4
AXLE	B14
BATTERY	F22, G4
BEACON LIGHT	I16
BELT, ALTERNATOR	H8
BELT, COOLING FAN DRIVE	H2
BELT, MAIN DRIVE	H2
BOB-TACH	A24, B2
BOOT, RUBBER	B4
CAB ENCLOSURE	J10, J13
CAB	A14
CABLE, BATTERY	F22, G2
CAMSHAFT	H20
CAP, FUEL	B6
CAP, HYD. OIL	E12
CAP, RADIATOR	G16
CHAIN, DRIVE	B8
CHAINCASE	A12, B8
COOLING FAN DRIVE ASSY.	H12
CRANKSHAFT	I2
CYLINDER BLOCK	H22
CYLINDER HEAD	H18
CYLINDER, LIFT	B16, B20, C7
CYLINDER, TILT	B16, B20, C6
DIPSTICK, ENG. OIL	H22
DISPLAY, LCD	F18
DOOR, CAB	J2, J10
DOOR, REAR	A12, A22
ENGINE	G22, H14
EXTINGUISHER	M2
FAN	G16
FILTER, AIR	I10
FILTER, ENG. OIL	G20, G24
FILTER, FUEL	B6
FILTER, HYD. OIL	E16, F11
FIRE EXTINGUISHER	M2
GAS SPRING	A14, J2, J10
GLOW PLUG	I8
GUAGE, ENG. TEMP.	F14
GUAGE, FUEL	F14
HARNESS, CAB	F14, F18
HARNESS, ENGINE	F22
HARNESS, LIGHTS	G4, N13
HEATER	N4, N5
HOOD, ENGINE	A12, G20, G24
HORN	N8
HOURMETER KIT	N9
HOURMETER	F14
HUB, AXLE	B14
INJECTION NOZZLES	I8
LATCH, REAR DOOR	A22
LIGHT	F18
LIGHTS, FLASHER	M3
LOCK, REAR DOOR	N23
MAIN FRAME	A12
MANIFOLD	H16
MODULE, AUX. CONTROLS	F18
MOTOR, HYDRO.	E12
MOUNT, ENGINE	H8
MOUNT, HYDO. PUMP	H8
MUFFLER, PURIFIER	N16
MUFFLER	G24
OIL COOLER	E16
OIL	P4
PAINT	P4
PANEL, INSTRUMENT	F14, F18
PEDALS, CONTROL	C12
PISTON	I2
POLISH	P4
PUMP, GEAR	F9
PUMP, INJECTION	I8
PUMP, OIL	H22
PUMP, WATER	I4
QUICK COUPLERS	C4, M8, M10, M12
RADIATOR	G16
RIM	O23
SEALANT	P4
SEAT BELT	A16, O21
SEAT	A16, A19, O16, O18, O20
SENDER, FUEL	F22, G2
SENDER, HYDRO. PRESS.	F22
SENDOR, FUEL	B6
SENSOR, ENG. OIL PRESS.	G2
SENSOR, ENG. TEMP.	G2
SENSOR, HYDRO. TEMP.	G2
SHOCK, CONTROLS	E20
SHORT BLOCK	H14
SOLENOID	F22, G2
SPROCKET, AXLE	B14
STARTER	F24, G2, G14, H8
STOP, LIFT ARM	A24
STROBE LIGHT	O13, O14
SWITCH, ENG. OIL PRESS.	F22
SWITCH, ENG. TEMP.	F22
SWITCH, GLOW PLUG	F14
SWITCH, HYDRO. TEMP.	F22
SWITCH, IGNITION	F14, F18
SWITCH, LIGHT	F18
TANK, COOLANT	G16
TANK, FUEL	B6
TANK, HYDRO.	E12
THERMOSTAT	I3
THROTTLE	H10
TIRE	O23
VALVE STEM	O23
VALVE, BUCKET POSITIONING ..	D6
VALVE, ENGINE	H18
VALVE, HYD. CTRL .	C14-D4, D20-E8
VOLTMETER	F14
WINDOW, REAR	J16
WINDOW, SIDE	J16
WINDSHIELD WIPER	J2, O2

853 BICS CONTENTS

MAIN FRAME	12-33
MAIN FRAME	12-13
OPERATOR CAB	14-15
SEAT & SEAT BAR	16-19
SEAT	20-23
REAR DOOR	24-25
LIFT ARM & BOB-TACH	26-27
BOB-TACH	28-29
PANELS	30-31
FUEL SYSTEM	32-33
DRIVE SYSTEM	34-41
DRIVE TRAIN	34-35
GEARCASE	36-37
DISC BRAKE	38-39
AXLE	40-41
HYDRAULIC SYSTEM	42-83
HYDRAULIC CIRCUITRY	42-51
LIFT & TILT CONTROL SYSTEM	52-53
AUXILIARY HYDRAULICS	54-55
TILT CYLINDER	56-57
LIFT CYLINDER	58-59
TILT LOCK VALVE	60-61
LIFT LOCK VALVE	62-63
CONTROL PEDALS	64-65
HYDRAULIC CONTROL VALVE	66-77
* HYDRAULIC CONTROL VALVE	78-81
BUCKET POSITIONING VALVE	82-83
HIGH HORSEPOWER HYDRAULICS	84-109
HIGH HORSEPOWER HYDRAULICS	84-109
HYDROSTATIC SYSTEM	110-137
HYDROSTATIC CIRCUITRY	110-117
HAND CONTROLS	118-119
HYDROSTATIC MOTOR	120-121
HYDROSTATIC PUMP	122-129
GEAR PUMP	130-131
HYDROSTATIC OIL FILTER	132-137
ELECTRICAL SYSTEM	138-163
CAB ELECTRICAL CIRCUITRY	138-145
ENGINE ELECTRICAL CIRCUITRY	146-155
CONTROLS ELECTRICAL CIRCUITRY	156-159
ALTERNATOR	160-161
STARTER	162-163
POWER UNIT	164-209
COOLING SYSTEM	164-167
ENGINE & ATTACHING PARTS	168-181
THROTTLE	182-183
COOLING FAN DRIVE ASSY.	184-185
ENGINE & GASKET KITS	186-187
MANIFOLDS	188-189
CYLINDER HEAD & COVER	190-191

853 BICS CONTENTS (Cont'd)

POWER UNIT (CONT'D)	164-209
CAMSHAFT & TIMING GEAR	192-193
CRANKCASE & OIL PAN	194-197
PISTON & CRANKSHAFT	198-199
THERMOSTAT HOUSING	200-201
WATER PUMP	202-203
FUEL INJECTION SYSTEM	204-207
AIR CLEANER	208-209
ACCESSORIES & OPTIONS	213-382
ACCESS COVER	213-216
BACK-UP ALARM KIT	217-218
BEACON LIGHT	219-220
BLOCK HEATER	221-222
BOB-TACH LEVERS	223-224
BUCKET POSITION ON-OFF KIT	225-226
BUCKET POSITIONING VALVE KIT	227-228
BUMPER	229-230
CAB DOOR	231-238
CAB ENCLOSURE	239-244
CAB WINDOWS	245-246
CLOSED ALTERNATOR	247-248
DECALS	249-252
ELECTRICAL CONTROLS KIT	253-260
ENGINE MOUNT KITS	261-262
EXPORT ACCESSORIES	263-280
FIRE EXTINGUISHER	281-282
* FLASHER LIGHTS	283-284
FRONT AUXILIARY KIT	285-294
HAND CONTROLS KIT	295-300
HANDLE KITS	301-302
HEATER KIT (FRESH AIR)	303-306
HEATER (FRESH AIR)	307-308
HEATER PLUMBING KIT (FRESH AIR)	309-310
HEATER KIT	311-312
HEATER	313-314
HEATER PLUMBING KIT	315-316
HORN KIT	317-320
HOURMETER KIT	321-322
KEYLESS IGNITION	323-324
LIFT KIT	325-328
LIGHT KIT	329-330
MUFFLER/PURIFIER KIT	331-334
PRESSURE RELEASE KIT	335-336
RADIATOR SCREEN KIT	337-338
REAR AUXILIARY VALVE	339-340
REAR AUXILIARY	341-342
REAR DOOR LOCK	343-344
REAR WIPER KIT	345-346
* SEAT BAR KIT	347-350
SEAT KIT	351-352
* SEAT SENSOR OVERRIDE	353-356

853 BICS CONTENTS (Cont'd)

ACCESSORIES & OPTIONS (CONT'D)	213-382
SEAT RAIL COVER KIT	357-358
SOUND OPTION	359-360
STROBE LIGHT	361-364
SUSPENSION SEAT (MILSCO)	365-366
* SUSPENSION SEAT (MICHIGAN)	367-368
SUSPENSION SEAT (GRAMMER)	369-370
3" SEAT BELT	371-372
TIRES & RIMS	373-378
TOOL BOX	379-380
BULK ITEMS	381-382
NUMERICAL INDEX	383-402
NUMERICAL INDEX	383-402

853 BICS CONTENTS

MAIN FRAME	12-33
MAIN FRAME	12-13
OPERATOR CAB	14-15
SEAT & SEAT BAR	16-19
SEAT	20-23
REAR DOOR	24-25
LIFT ARM & BOB-TACH	26-27
BOB-TACH	28-29
PANELS	30-31
FUEL SYSTEM	32-33
DRIVE SYSTEM	34-41
DRIVE TRAIN	34-35
GEARCASE	36-37
DISC BRAKE	38-39
AXLE	40-41
HYDRAULIC SYSTEM	42-83
HYDRAULIC CIRCUITRY	42-51
LIFT & TILT CONTROL SYSTEM	52-53
AUXILIARY HYDRAULICS	54-55
TILT CYLINDER	56-57
LIFT CYLINDER	58-59
TILT LOCK VALVE	60-61
LIFT LOCK VALVE	62-63
CONTROL PEDALS	64-65
HYDRAULIC CONTROL VALVE	66-77
* HYDRAULIC CONTROL VALVE	78-81
BUCKET POSITIONING VALVE	82-83
HIGH HORSEPOWER HYDRAULICS	84-109
HIGH HORSEPOWER HYDRAULICS	84-109
HYDROSTATIC SYSTEM	110-137
HYDROSTATIC CIRCUITRY	110-117
HAND CONTROLS	118-119
HYDROSTATIC MOTOR	120-121
HYDROSTATIC PUMP	122-129
GEAR PUMP	130-131
HYDROSTATIC OIL FILTER	132-137
ELECTRICAL SYSTEM	138-163
CAB ELECTRICAL CIRCUITRY	138-145
ENGINE ELECTRICAL CIRCUITRY	146-155
CONTROLS ELECTRICAL CIRCUITRY	156-159
ALTERNATOR	160-161
STARTER	162-163
POWER UNIT	164-209
COOLING SYSTEM	164-167
ENGINE & ATTACHING PARTS	168-181
THROTTLE	182-183
COOLING FAN DRIVE ASSY.	184-185
ENGINE & GASKET KITS	186-187
MANIFOLDS	188-189
CYLINDER HEAD & COVER	190-191

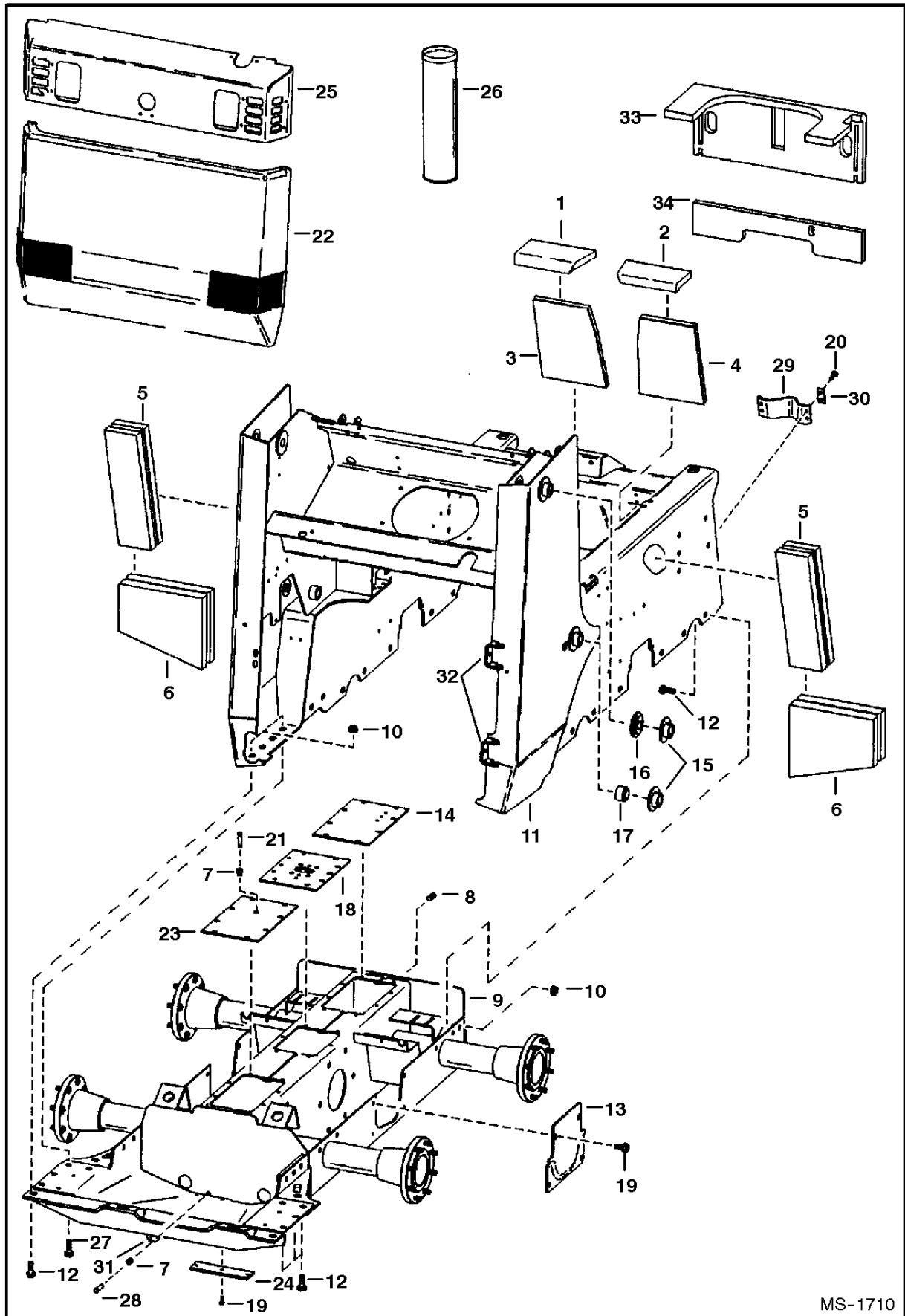
853 BICS CONTENTS (Cont'd)

POWER UNIT (CONT'D)	164-209
CAMSHAFT & TIMING GEAR	192-193
CRANKCASE & OIL PAN	194-197
PISTON & CRANKSHAFT	198-199
THERMOSTAT HOUSING	200-201
WATER PUMP	202-203
FUEL INJECTION SYSTEM	204-207
AIR CLEANER	208-209
ACCESSORIES & OPTIONS	213-382
ACCESS COVER	213-216
BACK-UP ALARM KIT	217-218
BEACON LIGHT	219-220
BLOCK HEATER	221-222
BOB-TACH LEVERS	223-224
BUCKET POSITION ON-OFF KIT	225-226
BUCKET POSITIONING VALVE KIT	227-228
BUMPER	229-230
CAB DOOR	231-238
CAB ENCLOSURE	239-244
CAB WINDOWS	245-246
CLOSED ALTERNATOR	247-248
DECALS	249-252
ELECTRICAL CONTROLS KIT	253-260
ENGINE MOUNT KITS	261-262
EXPORT ACCESSORIES	263-280
FIRE EXTINGUISHER	281-282
* FLASHER LIGHTS	283-284
FRONT AUXILIARY KIT	285-294
HAND CONTROLS KIT	295-300
HANDLE KITS	301-302
HEATER KIT (FRESH AIR)	303-306
HEATER (FRESH AIR)	307-308
HEATER PLUMBING KIT (FRESH AIR)	309-310
HEATER KIT	311-312
HEATER	313-314
HEATER PLUMBING KIT	315-316
HORN KIT	317-320
HOURMETER KIT	321-322
KEYLESS IGNITION	323-324
LIFT KIT	325-328
LIGHT KIT	329-330
MUFFLER/PURIFIER KIT	331-334
PRESSURE RELEASE KIT	335-336
RADIATOR SCREEN KIT	337-338
REAR AUXILIARY VALVE	339-340
REAR AUXILIARY	341-342
REAR DOOR LOCK	343-344
REAR WIPER KIT	345-346
* SEAT BAR KIT	347-350
SEAT KIT	351-352
* SEAT SENSOR OVERRIDE	353-356

853 BICS CONTENTS (Cont'd)

ACCESSORIES & OPTIONS (CONT'D)	213-382
SEAT RAIL COVER KIT	357-358
SOUND OPTION	359-360
STROBE LIGHT	361-364
SUSPENSION SEAT (MILSCO)	365-366
* SUSPENSION SEAT (MICHIGAN)	367-368
SUSPENSION SEAT (GRAMMER)	369-370
3" SEAT BELT	371-372
TIRES & RIMS	373-378
TOOL BOX	379-380
BULK ITEMS	381-382
NUMERICAL INDEX	383-402
NUMERICAL INDEX	383-402

MAIN FRAME



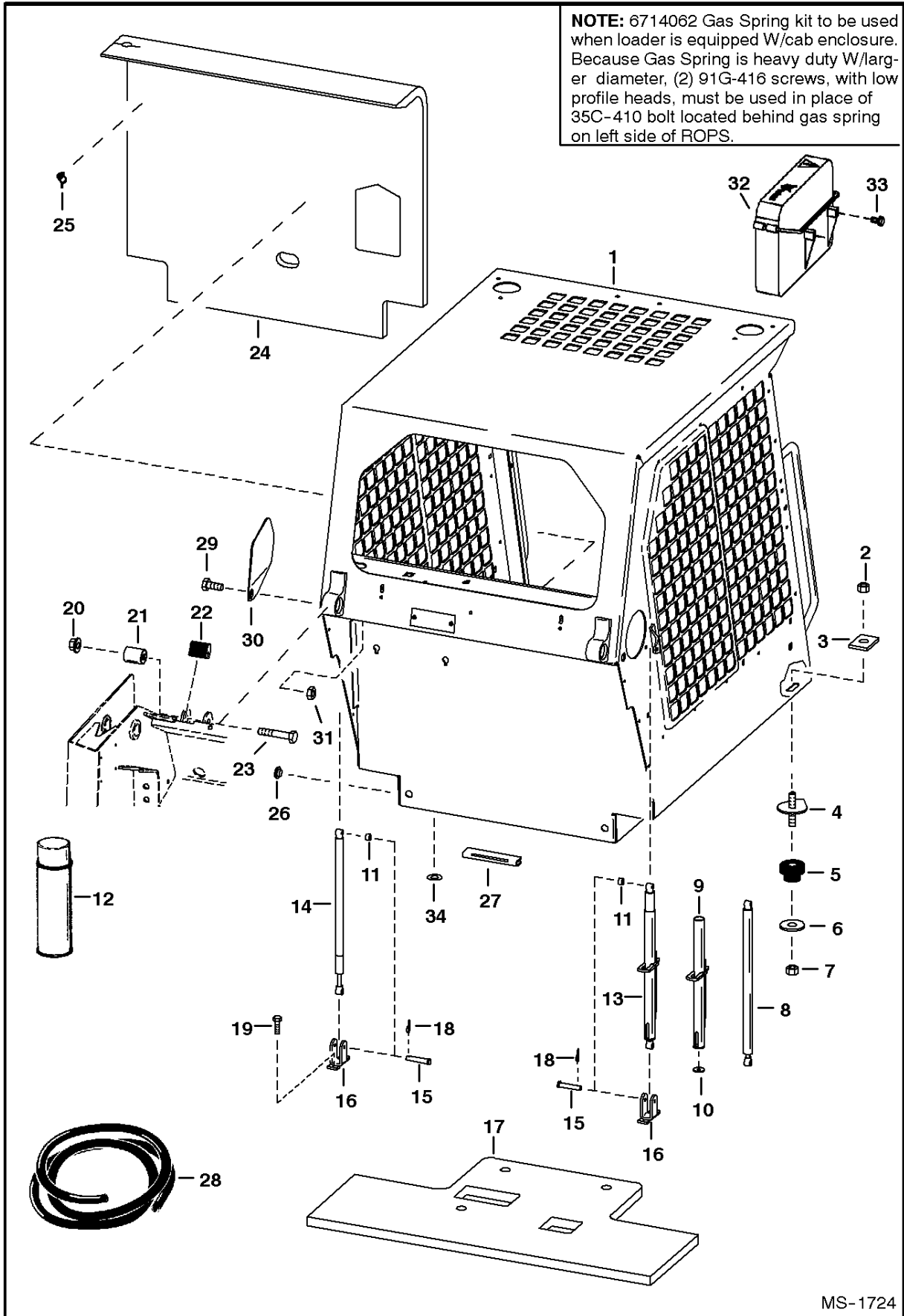
MS-1710

MAIN FRAME

Ref.N°	Part N°	Description	Remarks	Serial N°	Qty.
1	6703963	INSULATION	crossmember		1
2	6703964	INSULATION	crossmember		1
3	6703965	INSULATION	crossmember		1
4	6703969	INSULATION	crossmember		1
5	6703967	INSULATION	fender		2
6	6703968	INSULATION	transmission		2
7	6553411	BUSHING			2
8	11F-12	PLUG			1
9	6578976	CHAINCASE	See Page DRIVE TRAIN(10)		1
10	83D-12	NUT		& Bel	26
10	83D-12	NUT		& Abv	23
11	6579513	MAIN FRAME			1
12	31C-1228	BOLT			22
13	6703189	COVER			2
14	6578505	COVER	See Page DISC BRAKE(20)		1
15	6702584	BUSHING	weld on		4
16	6702583	BUSHING	weld on		2
17	6555987	BUSHING	weld on		6
18	6706683	COVER	See Page DISC BRAKE(39)		1
19	84G-3712	BOLT			8
20	84G-3716	BOLT			8
21	6646626	BREATHER			1
22		REAR DOOR	See Page REAR DOOR(10)		1
23	6700330	COVER	See Page DISC BRAKE(39)		1
24	6700182	COVER			1
25		HOOD	See Page ENGINE & ATTACHING PARTS(1)		1
26	6633583	SEALANT	chaincase cover		x
27	31C-1232	BOLT			4
28	6599645	PLUG			1
29	6702164	SPACER	flexible		2
30	6579106	SHIM			4
31	6706485	HOOK	tie down - weld on		2
32	6577394	BRACKET	hinge - weld on		2
33	6708181	INSULATION	panel		1
34	6701674	INSULATION	panel		1

OPERATOR CAB

NOTE: 6714062 Gas Spring kit to be used when loader is equipped W/cab enclosure. Because Gas Spring is heavy duty W/larger diameter, (2) 91G-416 screws, with low profile heads, must be used in place of 35C-410 bolt located behind gas spring on left side of ROPS.



MS-1724

OPERATOR CAB

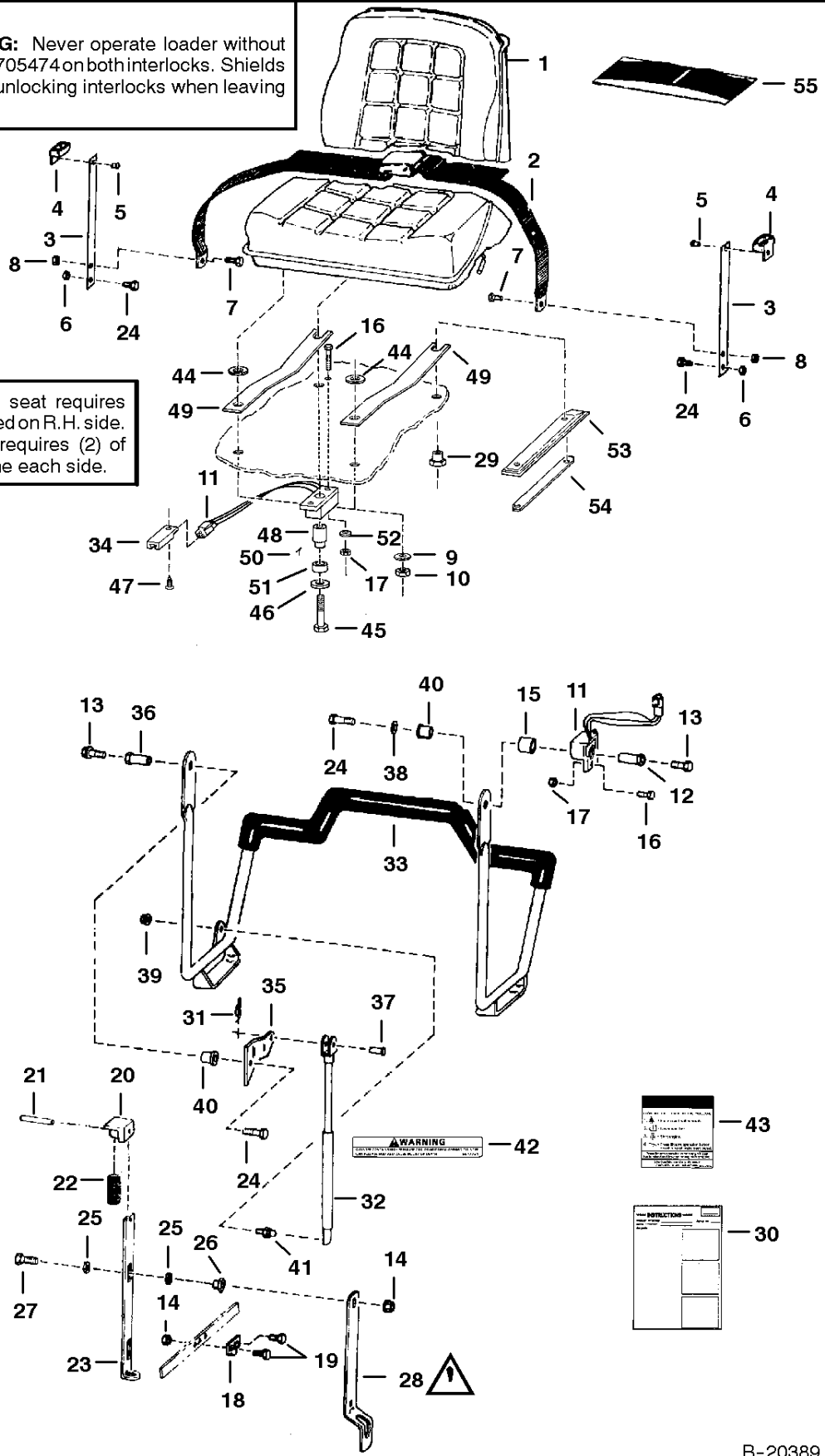
Ref.N°	Part N°	Description	Remarks	Serial N°	Qty.
1	6701957	OPERATOR CAB	W/Decals		1
2	59D-8	NUT			2
3	6553709	WASHER			2
4	6702971	BOLT			2
5	6560633	MOUNT			2
6	6515817	WASHER			2
7	85D-8	NUT			2
8	6664205	GAS SPRING			1
9	6708189	TUBE	stop - Was 6701175 [A]		1
10	6701174	WASHER			1
11	6567604	SPACER			2
12	6652818	ADHESIVE	insulation - 24 oz. spray can		x
13	NAP	GAS SPRING	Order Ref. OPERATOR CAB(8)-OPERATOR CAB(10)		1
14	6700171	GAS SPRING	W/O lock		1
14	6714062	KIT	Heavy duty gas spring - W/O lock - SEE NOTE		1
14	91G-416	BOLT	SEE NOTE		2
14	6900531	INSTRUCTIONS	for kit 6714062		1
15	6567743	PIN			4
16	6706349	MOUNT			2
17	6715095	INSULATION	seat pan - use W/Ref. OPERATOR CAB(12) - Was 6706982[A]		1
18	6631418	PIN	ring		4
19	84G-3112	BOLT			4
20	53D-10	NUT	Was 83D-10 [B]		2
21	6562602	BUSHING	rubber		2
22	6579613	STOP	cab tilt		2
23	17C-1056	BOLT			2
24	6708682	INSULATION	seat back - Use W/Ref. OPERATOR CAB(25) - Was 6705816 [A]		1
25	6664310	CLIP	insulation		8
26	6664374	PLUG	heater hole		5
27	NAP	MOULDING	6'(152,4 mm) long-Order Ref. OPERATOR CAB(28)		1
28	6512686	SEAL	bulk - Sold Per Foot		x
29	17C-512	BOLT			1
30	6707879	COVER			1
31	83D-5	NUT			1
32	6708827	CONTAINER	manuals		1
33	6702642	BOLT			2

SEAT & SEAT BAR



WARNING: Never operate loader without pedal lock shield 6705474 on both interlocks. Shields prevent foot from unlocking interlocks when leaving loader seat.

NOTE: Standard seat requires (1) of Ref. 49 located on R.H. side. Suspension seat requires (2) of Ref. 49 located one each side.



B-20389

Thank you so much for reading.
Please click the “Buy Now!”
button below to download the
complete manual.



After you pay.

You can download the most
perfect and complete manual in
the world immediately.

Our support email:

ebooklibonline@outlook.com