

963

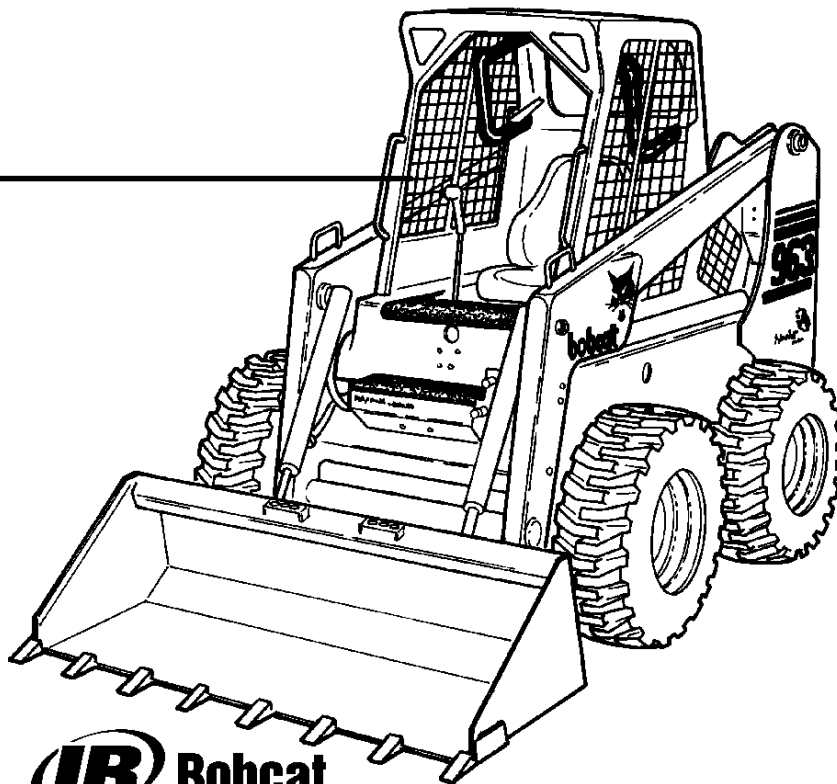


Bobcat®
G-Series

Parts Manual

S/N 5622 15001 & Above

S/N 5165 15001 & Above



**EQUIPPED WITH
BOBCAT INTERLOCK
CONTROL SYSTEM (BICS™)**

6900907 (6-00) Revised (1-01)



Printed in U.S.A.

© Bobcat Company 2001

963 G-SERIES ALPHABETICAL INDEX

ADHESIVE	312	HARNES, CAB	118, 120, 126
AIR CLEANER	208	HARNES, ENGINE	122
ALTERNATOR	136, 138	HARNES, LIGHTS	291
ANTI-FREEZE	312	HEATER	266, 272, 284
AUX CASE DRAIN	213	HORN	288
AXLE	43	HYD FAN MOTOR	159
		HYDROSTATIC MOTOR	98
BACK-UP ALARM	216		
BATTERY	122	KIT, ETHER	252
BATTERY, DUAL	217	KIT, HEATER PLUMBING	269
BEACON	218		
BEARINGS, ENGINE	166	LATCH, REAR DOOR	26
BELT, ALTERNATOR	154	LIFT ARMS	28
BELT, DRIVE	148	LIFT CYLINDER	28
BICS CONTROL VALVE	71	LIGHT KIT	291
BLOCK HEATER	219	LIGHTS, FLASHER	260
BLOCK, SHORT	162	LOCK, REAR DOOR	298
BOB-TACH	28, 30	LUBRICANT	312
BOB-TACH CONVERSION KIT ..	220		
BOOT, RUBBER	32	MAINFRAME	12
		MANIFOLD	190
CAB	14, 16	MANIFOLD VALVE	76
CAB DOOR	222, 226		
CAB ENCLOSURE	228	OIL	312
CABLE, BATTERY	122	OIL COOLER	80, 184
CAP, FUEL	34		
CHAIN, DRIVE	38	PAINT	312
CHAINCASE	38	PANEL, INSTRUMENT	118, 120
CHARGE PUMP	102, 110, 111	PEDALS, CONTROL	56
CONNECTING ROD	168	POLISH	312
CONTROLS, HAND	92	PORT BLOCK	99, 105
COUNTERWEIGHT KIT	236	PUMP, HYDRO	102, 104
CRANKSHAFT	166		
CYLINDER BLOCK	164	RIM, WHEEL	309
CYLINDER HEAD	170	ROD, CONNECTING	168
CYLINDER, LIFT	57		
		SEALANT	312
DIPSTICK, ENG. OIL	180	SEAT	20, 22
DISC BRAKE	115	SEAT BELT	16, 302
DOOR, CAB	222, 226	SENDER, ENG. TEMP.	122
DOOR, REAR	26	STARTER	140
DUAL GEAR PUMP	113	STOP, LIFT ARM	28
DUMP RESTRICTOR KIT	243	SWITCH, ENG. OIL PRESS.	122
		SWITCH, HYDRO. PRESS.	122
ENGINE	162	SWITCH, IGNITION	118, 120
EXT RMVL R WIN KIT	233		
		TANK, FUEL	34
FILTER, FUEL	200	THROTTLE	158
FILTER, HYDRO. OIL	116	TILT CYLINDER	28, 58
FIRE EXTINGUISHER	256	TIRES	309
FLASHER LIGHTS	260	TURBO CHARGER	192, 193, 194
FLYWHEEL	148	TWO POINT LIFT KIT	290
FOUR POINT LIFT KIT	289		
FUEL FILTER 198- 200, 202, 204, 206		VALVE, BUCKET POS.	74
FUEL PUMP	197	VALVE, ENGINE	170
FUEL SYSTEM	34	VALVE, HYD. CONTROL ..	60, 64, 68
GAS SPRING	14, 224, 226	WATER PUMP	186
GEARBOX	38, 42	WINDOW, REAR	232, 242
GREASE	312	WINDOW, SIDE	232
GUAGE, ENG. TEMP.	120	WIPER, WINDSHIELD	222
GUAGE, FUEL	120		

963 G-SERIES CONTENTS

MAIN FRAME	11-36
MAINFRAME	11
OPERATOR CAB	13-16
SEAT & SEAT BAR	17-24
REAR DOOR	25
LIFT ARMS & BOB-TACH	27
BOB-TACH	29
PANELS	31
FUEL SYSTEM	33-36
DRIVE SYSTEM	37-43
DRIVE TRAIN	37
DISC BRAKE	39
GEARBOX	41
AXLE	43
HYDRAULIC SYSTEM	45-74
HYDRAULIC CIRCUITRY	45-48
MANUAL LIFT RELEASE SYSTEM	49
MANUAL LIFT RELEASE VALVE	51
AUXILIARY HYDRAULIC CIRCUITRY	53
CONTROL PEDALS	55
LIFT CYLINDER	57
TILT CYLINDER	58
HYDRAULIC CONTROL VALVE	59, 63, 67
BICS VALVE	71
BUCKET POSITION VALVE	73
HYDROSTATIC SYSTEM	75-116
HYDROSTATIC CIRCUITRY	75-90
HAND CONTROLS	91
CONTROLLER	93
* VALVE ASSEMBLY	95
HYDROSTATIC MOTOR	97-100
HYDROSTATIC PUMP	101-111
DUAL GEAR PUMP	113
DISC BRAKE	115
HYDROSTATIC OIL FILTER	116
ELECTRICAL SYSTEM	117-140
CAB ELECTRICAL CIRCUITRY	117-120
ENGINE ELECTRICAL	121-124
CONTROLS ELECTRICAL	125-134
ALTERNATOR	135, 137
STARTER	139
POWER UNIT	141-208
COOLING SYSTEM	141-144
ENGINE & ATTACHING PARTS	145-156
THROTTLE	157
HYDRAULIC FAN MOTOR	159
ENGINE & GASKET KITS	161-207
AIR CLEANER	208
ACCESSORIES & OPTIONS	211-215
AIR PRECLEANER FILTER	211
* ACCESSORIES HARNESS	212
AUX CASE DRAIN KIT	213
BACK-UP ALARM KIT	215

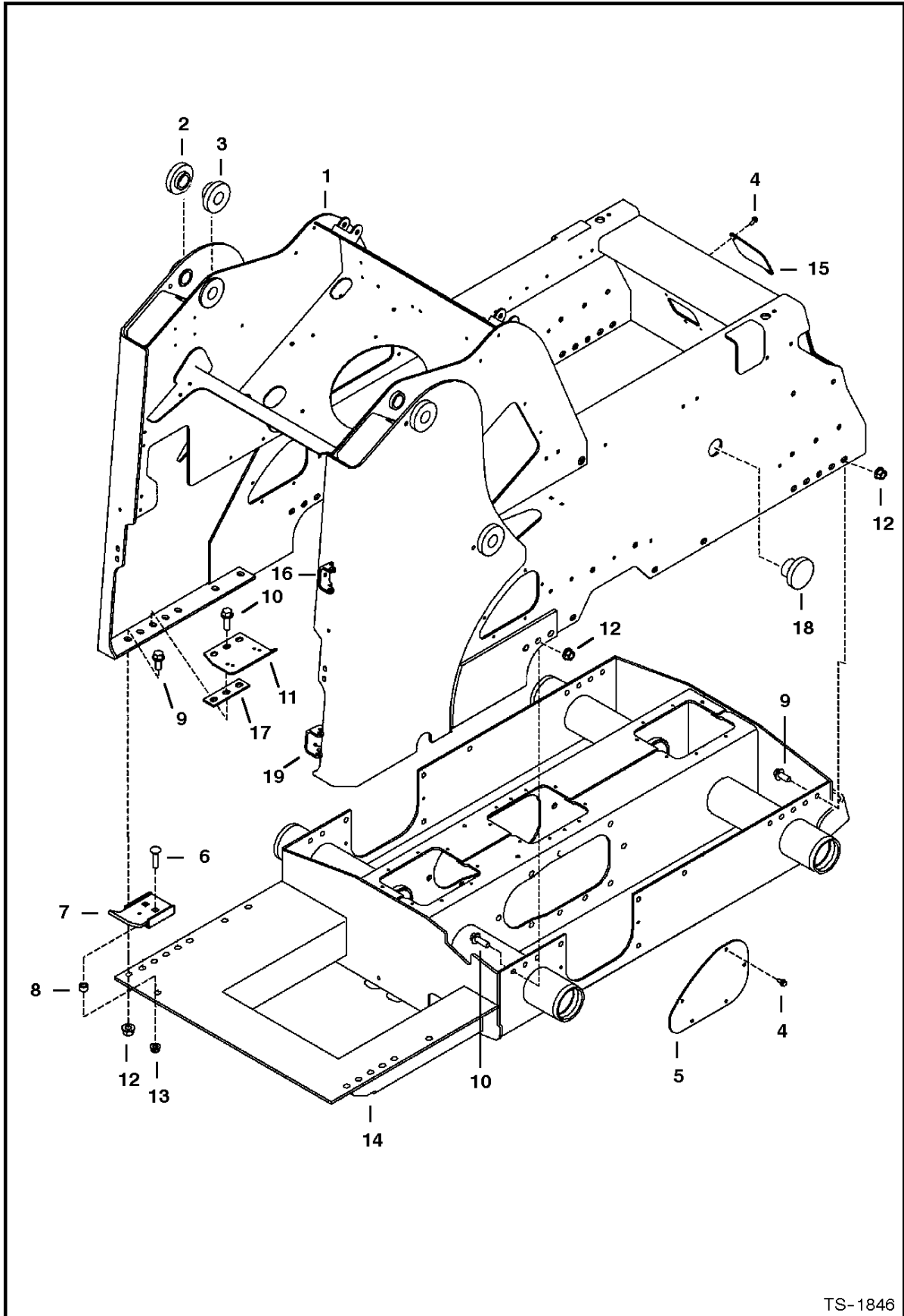
ACCESSORIES & OPTIONS (CONT'D)	217-310
BATTERY KIT	217
BEACON LIGHT	218
BLOCK HEATER	219
BOB-TACH CONVERSION KIT	220
CAB DOOR	221-227
CAB ENCLOSURE	228, 229
* CAB LIFT SPRING KIT	230
CAB WINDOWS	231-233
COUNTERWEIGHT KIT	235
DECALS	237-240
DELUXE CAB	241
DUMP RESTRICTOR KIT	243
* ELECTRICAL CONNECTOR KIT	245
ELECTRICAL CONTROLS KIT	246-250
ETHER KIT	251
EUROPEAN ACCESSORIES	253-255
FIRE EXTINGUISHER	256
F.O.P.S. KIT	257
FLASHER LIGHTS KIT	259
HAND CONTROL KIT	261-264
HEATER & A/C	265-286
HORN KIT	288
LIFT (4-POINT) KIT	289
LIFT (2-POINT) KIT	290
LIGHT KIT	291
PURIFIER, MUFFLER	293
REAR AUXILIARY HYDRAULIC KIT	295
REAR AUXILIARY VALVE	297
REAR DOOR LOCK	298
REAR WIPER	299
SEAT BELT	300-302
SECONDARY AUXILIARY HYDRAULIC KIT	303
SOUND KIT	305
STROBE LIGHT	307
TIRES & RIMS	309, 310
BULK ITEMS	311-312
BULK ITEMS	311-312
NUMERICAL INDEX	313-364
NUMERICAL INDEX	313-364

963 G-SERIES CONTENTS

MAIN FRAME	11-36
MAINFRAME	11
OPERATOR CAB	13-16
SEAT & SEAT BAR	17-24
REAR DOOR	25
LIFT ARMS & BOB-TACH	27
BOB-TACH	29
PANELS	31
FUEL SYSTEM	33-36
DRIVE SYSTEM	37-43
DRIVE TRAIN	37
DISC BRAKE	39
GEARBOX	41
AXLE	43
HYDRAULIC SYSTEM	45-74
HYDRAULIC CIRCUITRY	45-48
MANUAL LIFT RELEASE SYSTEM	49
MANUAL LIFT RELEASE VALVE	51
AUXILIARY HYDRAULIC CIRCUITRY	53
CONTROL PEDALS	55
LIFT CYLINDER	57
TILT CYLINDER	58
HYDRAULIC CONTROL VALVE	59, 63, 67
BICS VALVE	71
BUCKET POSITION VALVE	73
HYDROSTATIC SYSTEM	75-116
HYDROSTATIC CIRCUITRY	75-90
HAND CONTROLS	91
CONTROLLER	93
* VALVE ASSEMBLY	95
HYDROSTATIC MOTOR	97-100
HYDROSTATIC PUMP	101-111
DUAL GEAR PUMP	113
DISC BRAKE	115
HYDROSTATIC OIL FILTER	116
ELECTRICAL SYSTEM	117-140
CAB ELECTRICAL CIRCUITRY	117-120
ENGINE ELECTRICAL	121-124
CONTROLS ELECTRICAL	125-134
ALTERNATOR	135, 137
STARTER	139
POWER UNIT	141-208
COOLING SYSTEM	141-144
ENGINE & ATTACHING PARTS	145-156
THROTTLE	157
HYDRAULIC FAN MOTOR	159
ENGINE & GASKET KITS	161-207
AIR CLEANER	208
ACCESSORIES & OPTIONS	211-215
AIR PRECLEANER FILTER	211
* ACCESSORIES HARNESS	212
AUX CASE DRAIN KIT	213
BACK-UP ALARM KIT	215

ACCESSORIES & OPTIONS (CONT'D)	217-310
BATTERY KIT	217
BEACON LIGHT	218
BLOCK HEATER	219
BOB-TACH CONVERSION KIT	220
CAB DOOR	221-227
CAB ENCLOSURE	228, 229
* CAB LIFT SPRING KIT	230
CAB WINDOWS	231-233
COUNTERWEIGHT KIT	235
DECALS	237-240
DELUXE CAB	241
DUMP RESTRICTOR KIT	243
* ELECTRICAL CONNECTOR KIT	245
ELECTRICAL CONTROLS KIT	246-250
ETHER KIT	251
EUROPEAN ACCESSORIES	253-255
FIRE EXTINGUISHER	256
F.O.P.S. KIT	257
FLASHER LIGHTS KIT	259
HAND CONTROL KIT	261-264
HEATER & A/C	265-286
HORN KIT	288
LIFT (4-POINT) KIT	289
LIFT (2-POINT) KIT	290
LIGHT KIT	291
PURIFIER, MUFFLER	293
REAR AUXILIARY HYDRAULIC KIT	295
REAR AUXILIARY VALVE	297
REAR DOOR LOCK	298
REAR WIPER	299
SEAT BELT	300-302
SECONDARY AUXILIARY HYDRAULIC KIT	303
SOUND KIT	305
STROBE LIGHT	307
TIRES & RIMS	309, 310
BULK ITEMS	311-312
BULK ITEMS	311-312
NUMERICAL INDEX	313-364
NUMERICAL INDEX	313-364

MAIN FRAME & ATTACHING PARTS

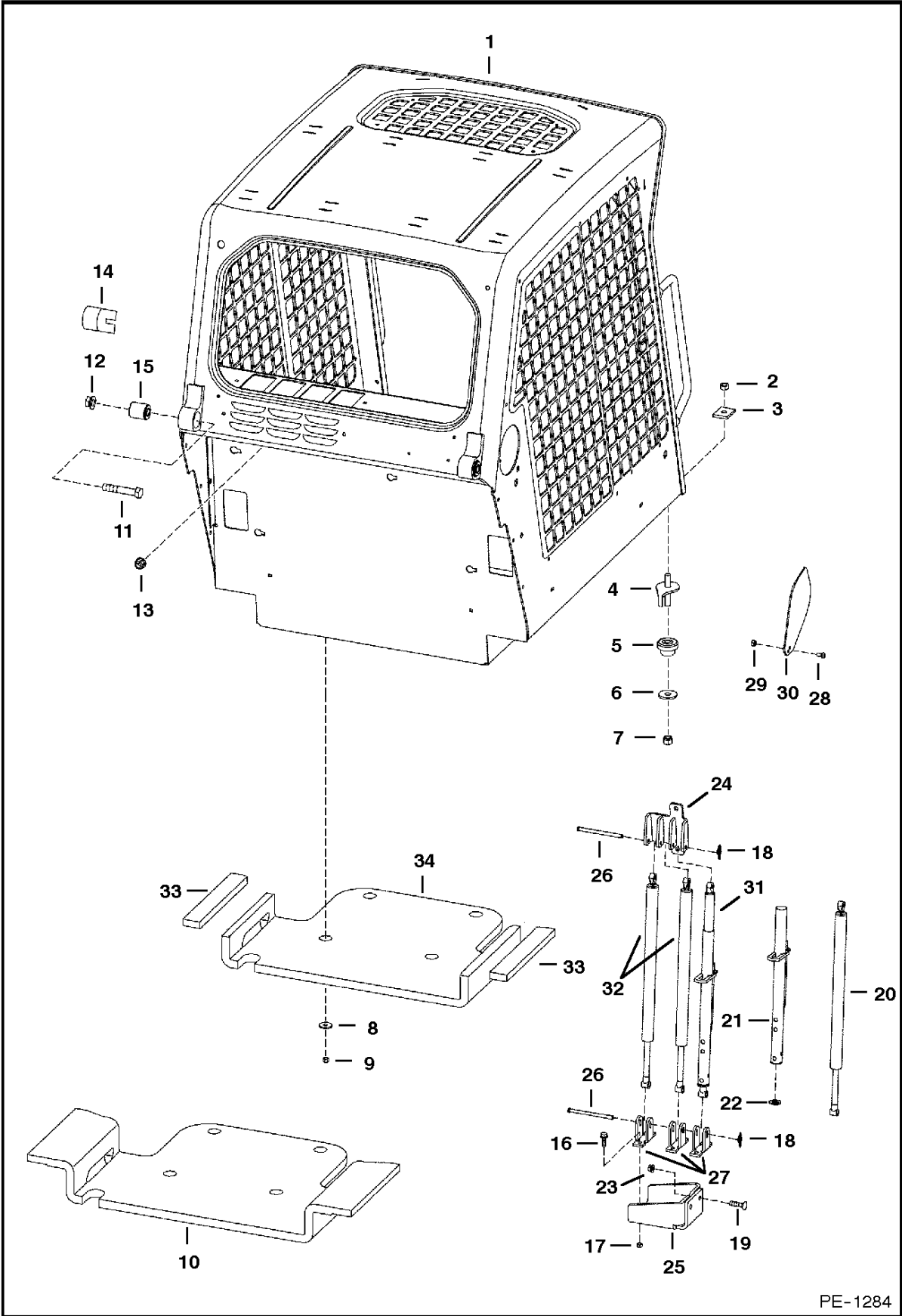


TS-1846

MAIN FRAME & ATTACHING PARTS

Ref.N°	Part N°	Description	Remarks	Serial N°	Qty.
1	6805582	MAIN FRAME			1
2	6597280	BUSHING			4
3	6597281	BUSHING			4
4	84G-3712	BOLT			14
5	6805462	COVER			2
6	37C-1040	BOLT			2
7	6806890	BRACKET			1
8	6807262	SPACER			2
9	31C-1228	BOLT			22
10	31C-1236	BOLT			9
11	6597595	BRACKET			1
12	53D-12	NUT	Was 83D-12 [B]		31
13	53D-10	NUT			2
14		CHAINCASE	See Page DRIVE TRAIN(1)		1
15	6577812	COVER	access		2
16	6708987	BRACKET	weld on		1
17	6806893	PLATE			1
18	6718796	PLUG			2
19	6806563	BRACKET			1

OPERATOR CAB



PE-1284

Thank you so much for reading.
Please click the “Buy Now!”
button below to download the
complete manual.



After you pay.

You can download the most
perfect and complete manual in
the world immediately.

Our support email:

ebooklibonline@outlook.com