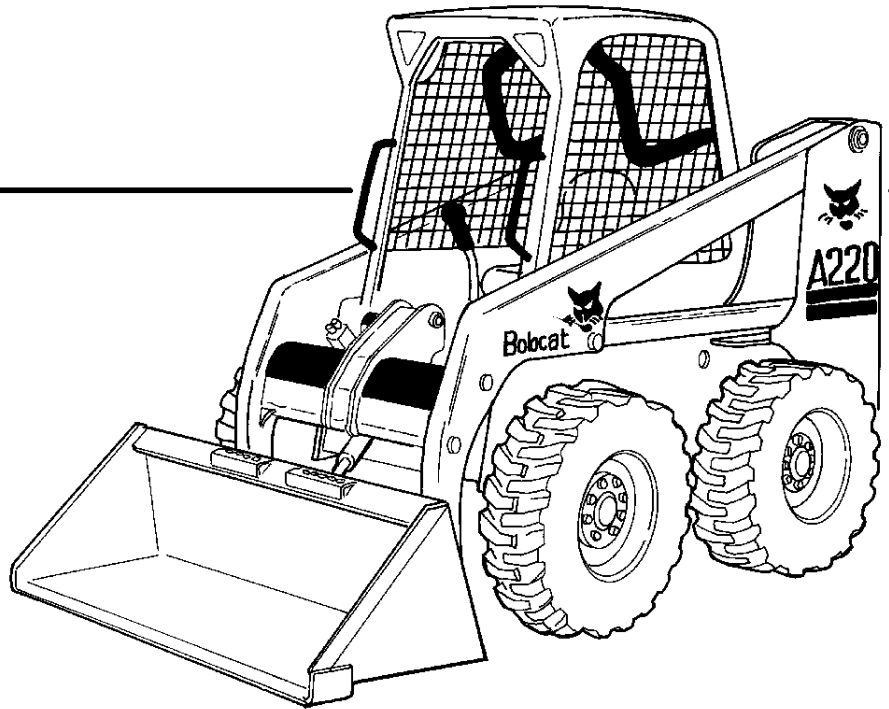


**Bobcat®**

# Parts Manual

**S/N 5196 11001 & Above**  
**S/N 5197 11001 & Above**



**EQUIPPED WITH  
BOBCAT INTERLOCK  
CONTROL SYSTEM (BICS™)**



Printed in U.S.A.

## A220 CONTENTS

<b>MAIN FRAME</b> .....	<b>10-31</b>
MAIN FRAME .....	10-11
OPERATOR CAB .....	12-15
DELUXE CAB .....	16-17
SEAT & SEAT BAR .....	18-19
SEAT .....	20-21
REAR DOOR .....	22-23
LIFT ARM & BOB-TACH .....	24-25
BOB-TACH .....	26-27
PANELS .....	28-29
FUEL SYSTEM .....	30-31
<b>DRIVE SYSTEM</b> .....	<b>32-39</b>
DRIVE TRAIN .....	32-33
MOTOR CARRIER .....	34-35
DISC BRAKE .....	36-37
AXLE .....	38-39
<b>HYDRAULIC SYSTEM</b> .....	<b>40-69</b>
HYDRAULIC CIRCUITRY .....	40-47
MANUAL LIFT RELEASE SYSTEM .....	48-49
AUXILIARY HYDRAULICS .....	50-53
TILT CYLINDER .....	54-55
LIFT CYLINDER .....	56-57
STEERING CYLINDER .....	58-59
MANUAL LIFT RELEASE VALVE .....	60-61
HYDRAULIC CONTROL VALVE .....	62-65
BICS CONTROL VALVE .....	66-67
BUCKET POSITIONING VALVE .....	68-69
<b>HIGH HORSEPOWER HYDRAULICS</b> .....	<b>70-79</b>
HIGH HORSEPOWER HYDRAULICS .....	70-79
<b>HYDROSTATIC SYSTEM</b> .....	<b>80-115</b>
HYDROSTATIC CIRCUITRY .....	80-89
HYDROSTATIC MOTOR .....	90-91
HYDROSTATIC MOTOR & BRAKE .....	92-95
HYDROSTATIC PUMP .....	96-103
GEAR PUMP .....	104-105
STEERING VALVE .....	106-107
2-SPEED VALVE .....	108-111
HYDROSTATIC OIL FILTER .....	112-115
<b>ELECTRICAL SYSTEM</b> .....	<b>116-125</b>
CAB ELECTRICAL CIRCUITRY .....	116-117
ENGINE ELECTRICAL .....	118-121
ALTERNATOR .....	122-123
STARTER .....	124-125
<b>POWER UNIT</b> .....	<b>126-167</b>
COOLING SYSTEM .....	126-131
ENGINE & ATTACHING PARTS .....	132-139
THROTTLE .....	140-141
COOLING FAN DRIVE ASSY. ....	142-143
ENGINE & GASKET KITS .....	144-145
MANIFOLD .....	146-147
CYLINDER HEAD & COVER .....	148-149
CAMSHAFT .....	150-151
FRONT COVER .....	152-153
CRANKCASE .....	154-155

## A220 CONTENTS (Cont'd)

<b>POWER UNIT (CONT'D)</b> .....	<b>126-167</b>
OIL PAN .....	156-157
TURBOCHARGER .....	158-159
PISTON & CRAANKSHAFT .....	160-161
FUEL INJECTION SYSTEM .....	162-163
OIL PUMP .....	164-165
AIR CLEANER .....	166-167
<b>ACCESSORIES &amp; OPTIONS</b> .....	<b>170-222</b>
ACCESS COVER .....	170-171
* BACK-UP ALARM .....	172-173
BEACON .....	174-175
BLOCK HEATER .....	176-177
BUCKET POSITIONING KIT .....	178-179
CAB DOOR .....	180-189
CAB ENCLOSURE .....	190-193
CAB WINDOWS .....	194-195
ELECTRICAL CONTROLS KIT .....	196-199
EUROPEAN ACCESSORIES .....	200-203
FIRE EXTINGUISHER .....	204-205
F.O.P.S. KIT .....	206-207
HEATER & A/C .....	208-225
HORN KIT .....	226-227
LIFT KIT .....	228-231
* POWER BOB-TACH KIT .....	232-235
POWER BOB-TACH CYLINDER .....	236-237
POWER BOB-TACH - VALVE ASSEMBLY .....	238-241
PURIFIER .....	242-243
RADIATOR SCREEN KIT .....	244-245
REAR AUXILIARY HYDRAULICS KIT .....	246-249
REAR DOOR LOCK .....	250-251
REAR WIPER .....	252-253
SEAT .....	254-257
SEAT BELT .....	258-263
SEVEN PIN CONNECTOR KIT .....	264-265
SOUND OPTION .....	266-267
STROBE LIGHT .....	268-269
TIRES & RIMS .....	270-271
BULK ITEMS .....	272-273

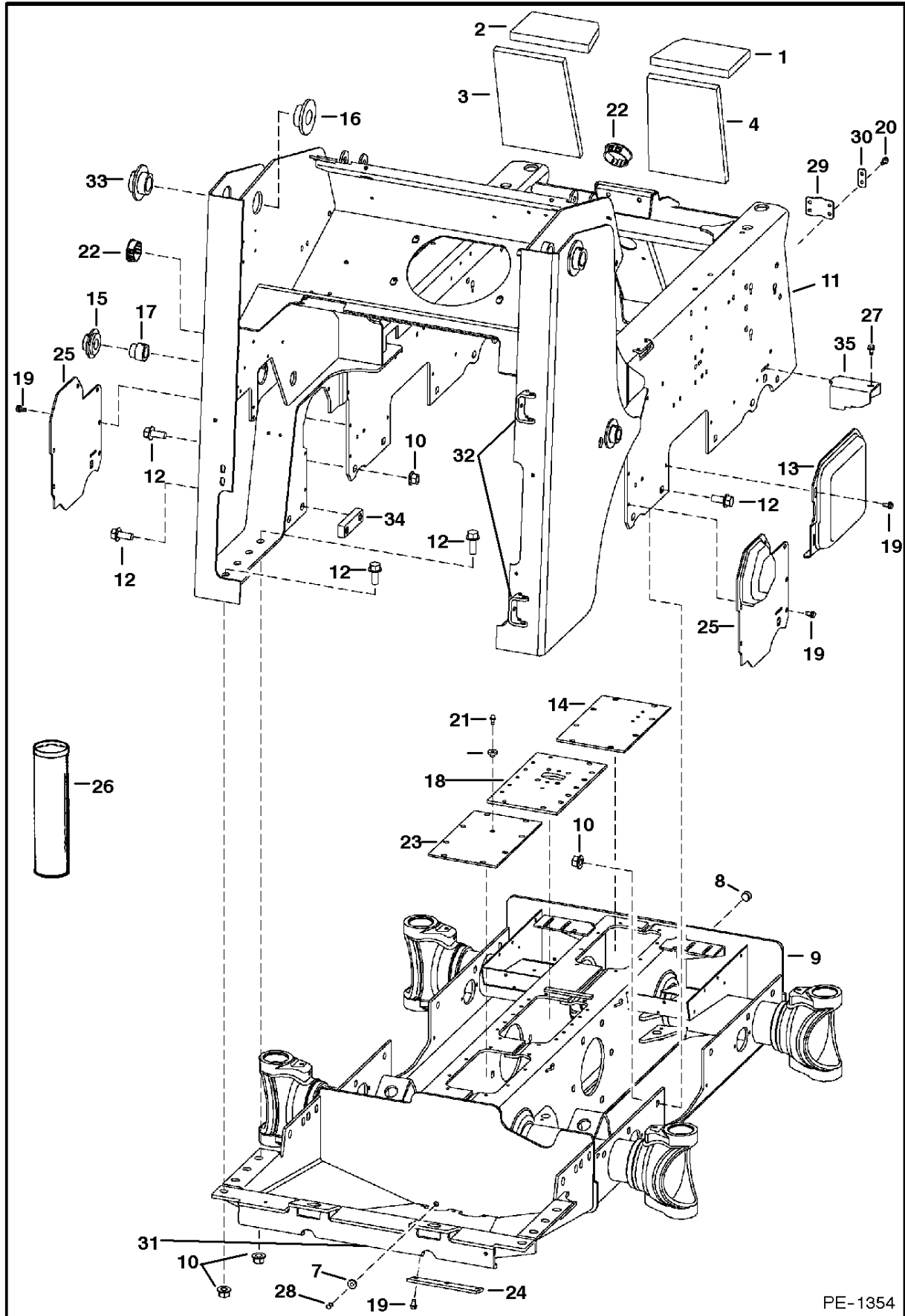
## A220 CONTENTS

<b>MAIN FRAME</b> .....	<b>10-31</b>
MAIN FRAME .....	10-11
OPERATOR CAB .....	12-15
DELUXE CAB .....	16-17
SEAT & SEAT BAR .....	18-19
SEAT .....	20-21
REAR DOOR .....	22-23
LIFT ARM & BOB-TACH .....	24-25
BOB-TACH .....	26-27
PANELS .....	28-29
FUEL SYSTEM .....	30-31
<b>DRIVE SYSTEM</b> .....	<b>32-39</b>
DRIVE TRAIN .....	32-33
MOTOR CARRIER .....	34-35
DISC BRAKE .....	36-37
AXLE .....	38-39
<b>HYDRAULIC SYSTEM</b> .....	<b>40-69</b>
HYDRAULIC CIRCUITRY .....	40-47
MANUAL LIFT RELEASE SYSTEM .....	48-49
AUXILIARY HYDRAULICS .....	50-53
TILT CYLINDER .....	54-55
LIFT CYLINDER .....	56-57
STEERING CYLINDER .....	58-59
MANUAL LIFT RELEASE VALVE .....	60-61
HYDRAULIC CONTROL VALVE .....	62-65
BICS CONTROL VALVE .....	66-67
BUCKET POSITIONING VALVE .....	68-69
<b>HIGH HORSEPOWER HYDRAULICS</b> .....	<b>70-79</b>
HIGH HORSEPOWER HYDRAULICS .....	70-79
<b>HYDROSTATIC SYSTEM</b> .....	<b>80-115</b>
HYDROSTATIC CIRCUITRY .....	80-89
HYDROSTATIC MOTOR .....	90-91
HYDROSTATIC MOTOR & BRAKE .....	92-95
HYDROSTATIC PUMP .....	96-103
GEAR PUMP .....	104-105
STEERING VALVE .....	106-107
2-SPEED VALVE .....	108-111
HYDROSTATIC OIL FILTER .....	112-115
<b>ELECTRICAL SYSTEM</b> .....	<b>116-125</b>
CAB ELECTRICAL CIRCUITRY .....	116-117
ENGINE ELECTRICAL .....	118-121
ALTERNATOR .....	122-123
STARTER .....	124-125
<b>POWER UNIT</b> .....	<b>126-167</b>
COOLING SYSTEM .....	126-121
ENGINE & ATTACHING PARTS .....	132-139
THROTTLE .....	140-141
COOLING FAN DRIVE ASSY. ....	142-143
ENGINE & GASKET KITS .....	144-145
MANIFOLD .....	146-147
CYLINDER HEAD & COVER .....	148-149
CAMSHAFT .....	150-151
FRONT COVER .....	152-153
CRANKCASE .....	154-155

## A220 CONTENTS (Cont'd)

<b>POWER UNIT (CONT'D)</b> .....	<b>126-167</b>
OIL PAN .....	156-157
TURBOCHARGER .....	158-159
PISTON & CRAANKSHAFT .....	160-161
FUEL INJECTION SYSTEM .....	162-163
OIL PUMP .....	164-165
AIR CLEANER .....	166-167
<b>ACCESSORIES &amp; OPTIONS</b> .....	<b>170-222</b>
ACCESS COVER .....	170-171
* BACK-UP ALARM .....	172-173
BEACON .....	174-175
BLOCK HEATER .....	176-177
BUCKET POSITIONING KIT .....	178-179
CAB DOOR .....	180-189
CAB ENCLOSURE .....	190-193
CAB WINDOWS .....	194-195
ELECTRICAL CONTROLS KIT .....	196-199
EUROPEAN ACCESSORIES .....	200-203
FIRE EXTINGUISHER .....	204-205
F.O.P.S. KIT .....	206-207
HEATER & A/C .....	208-225
HORN KIT .....	226-227
LIFT KIT .....	228-231
* POWER BOB-TACH KIT .....	232-235
POWER BOB-TACH CYLINDER .....	236-237
POWER BOB-TACH - VALVE ASSEMBLY .....	238-241
PURIFIER .....	242-243
RADIATOR SCREEN KIT .....	244-245
REAR AUXILIARY HYDRAULICS KIT .....	246-249
REAR DOOR LOCK .....	250-251
REAR WIPER .....	252-253
SEAT .....	254-257
SEAT BELT .....	258-263
SEVEN PIN CONNECTOR KIT .....	264-265
SOUND OPTION .....	266-267
STROBE LIGHT .....	268-269
TIRES & RIMS .....	270-271
BULK ITEMS .....	272-273

# MAIN FRAME

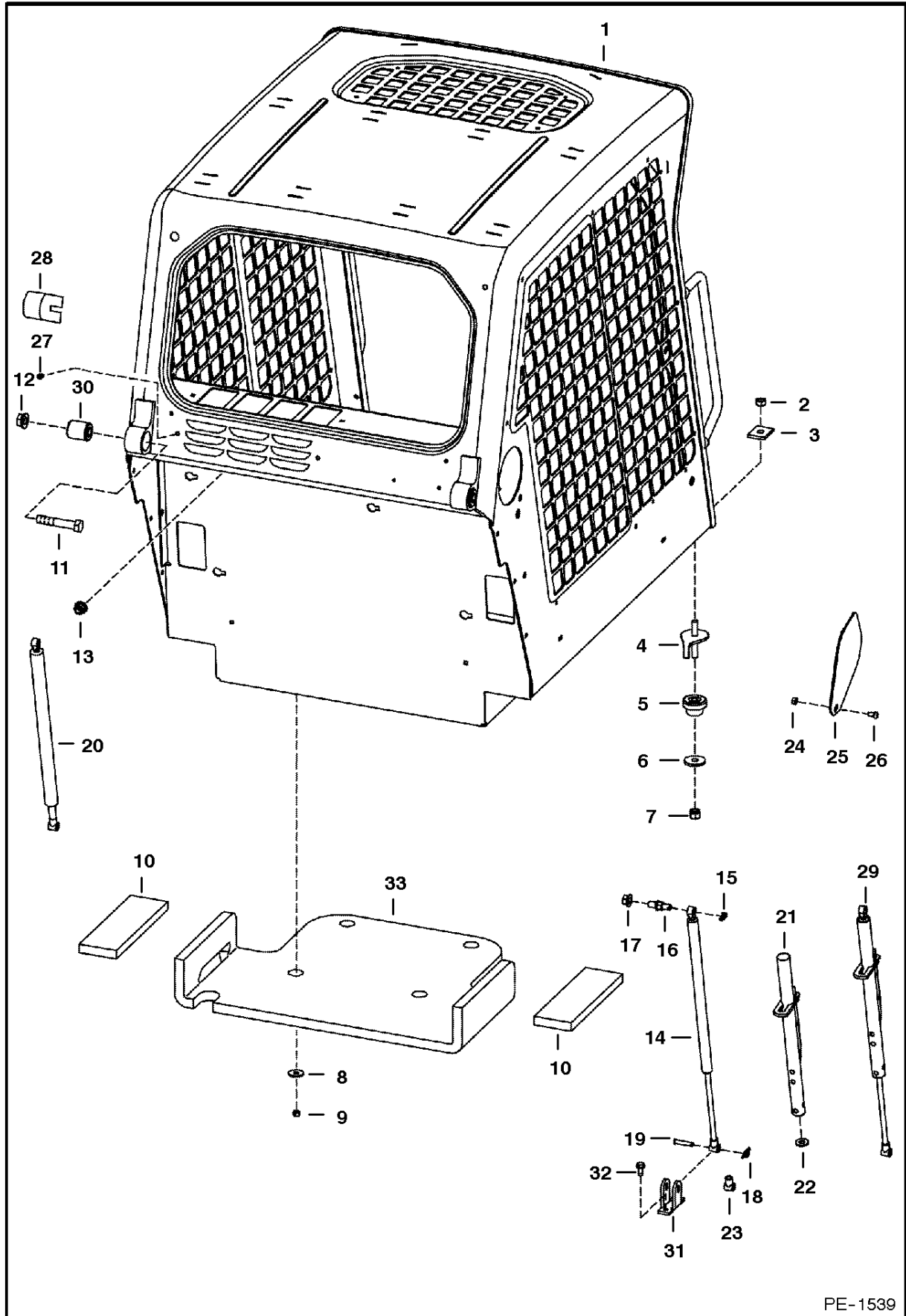


PE-1354

## MAIN FRAME

Ref.N°	Part N°	Description	Remarks	Serial N°	Qty.
1	6703963	INSULATION	crossmember		1
2	6703964	INSULATION	crossmember		1
3	6703965	INSULATION	crossmember		1
4	6703969	INSULATION	crossmember		1
5	6703967	INSULATION	fender		2
6	6703968	INSULATION	transmission		2
7	6553411	BUSHING			1
8	6731121	PLUG			1
9		CHAINCASE	6See Page DRIVE TRAIN(6)		1
10	53D-12	NUT			18
11	6725574	MAIN FRAME			1
12	31C-1228	BOLT			22
13	6719168	COVER			2
14	6729173	COVER	See Page DISC BRAKE(1)		1
15	6705047	BUSHING	weldAon		2
16	6718544	BUSHING	weldAon		2
17	6713823	BUSHING	weldAon		2
18	6725496	COVER	See Page DISC BRAKE(1)		1
19	84G-3712	BOLT			24
20	84G-3716	BOLT			8
21	6670627	BREATHER			1
22	6718796	PLUG	horn/		3
23	6700330	COVER	rear - See Page DISC BRAKE(1)		1
24	6700182	COVER	drain		1
25	6726451	COVER	pump - right		1
25	6726452	COVER	pump - left		1
26	6633583	SEALANT	chaincase cover		x
27	35C-612	BOLT			4
28	6599645	PLUG			1
29	6702164	SPACER	flexible		2
30	6579106	SHIM			4
31	6706485	HOOK	tie down - weldAon		2
32	6708987	BRACKET	weldAon		2
33	6718545	BUSHING	weldAon		2
34	6726867	BLOCK			2
35	6729031	COVER	wheel positioning		4

# OPERATOR CAB



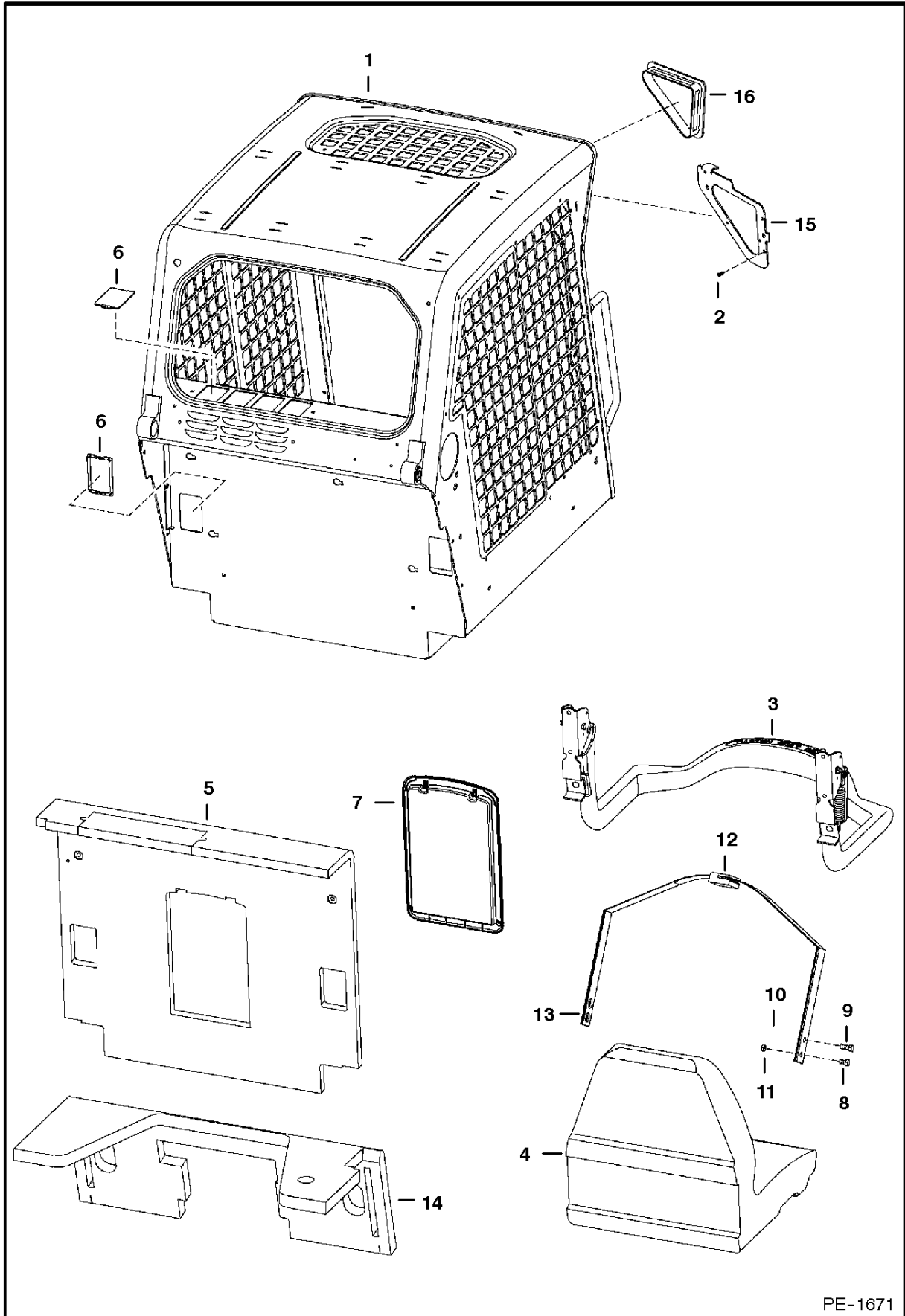
PE-1539



## OPERATOR CAB

Ref.N°	Part N°	Description	Remarks	Serial N°	Qty.
1	6719672	OPERATOR CAB	includes cab decals		1
2	59D-8	NUT			2
3	6553709	WASHER	rectangular		2
4	6702971	BOLT			2
5	6560633	MOUNT			2
6	6515817	WASHER			2
7	85D-8	NUT			2
8	619021	WASHER			4
9	59D-5	NUT			4
10	6729012	INSULATION	seat pan		2
11	17C-1056	BOLT			2
12	53D-10	NUT			2
13	53D-6	NUT			4
14	6675135	GAS SPRING	R.H.		1
15	6675140	SNAP RING			2
16	6719064	MOUNT			2
17	97D-8	NUT			2
18	6631418	PIN	ring		2
19	6567743	PIN			2
20	6675134	GAS SPRING	L.H.		1
20	6675136	GAS SPRING	L.H. - for a cab W/ enclosure		1
21	6708189	TUBE	stop - R.H.		1
22	6701174	WASHER			1
23	6675257	ROD END			1
24	95D-5	NUT			2
25	6718784	COVER			2
26	25G-512	BOLT			2
27	6675033	INSERT			x
28	6579613	STOP			2
29	NAP	GAS SPRING	R.H. - W/ latch - Order Ref. OPERATOR CAB(14) & OPERATOR CAB(21)-OPERATOR CAB(23)		1
30	6562602	BUSHING			2
31	6706349	MOUNT	gas spring		2
32	84G-3112	BOLT			4
33	6729013	INSULATION	seat pan		1

# OPERATOR CAB



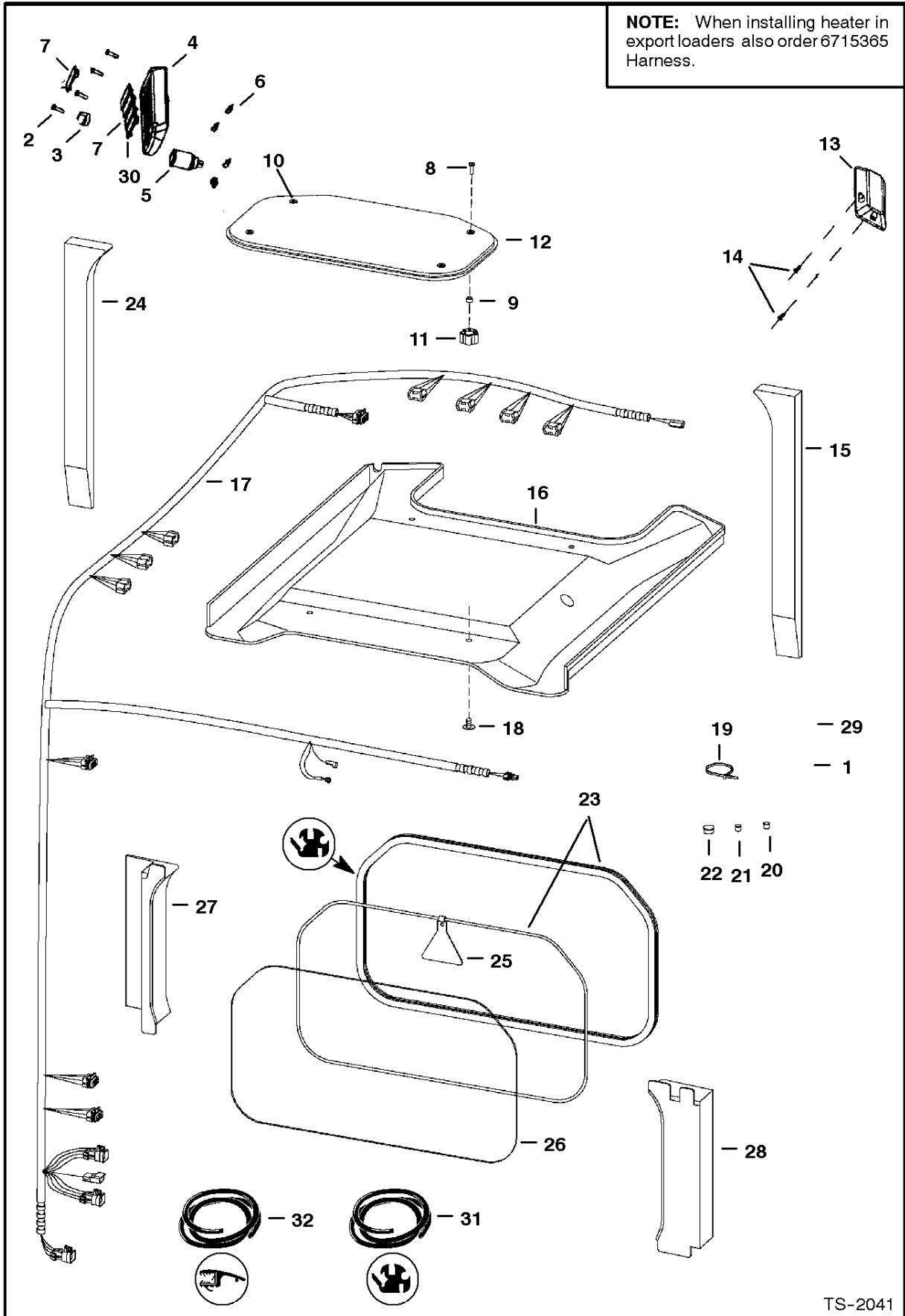
PE-1671

## OPERATOR CAB

Ref.N°	Part N°	Description	Remarks	Serial N°	Qty.
1	6719672	OPERATOR CAB	includes cab decals		1
2	6675033	INSERT			6
3		SEAT BAR	See Page SEAT & SEAT BAR(2)		1
4		SEAT	See Page SEAT & SEAT BAR(2)		1
5	6717516	INSULATION			1
6	6718101	COVER			6
7	6719503	CONTAINER	manuals		1
7	6675524	CLIP			2
7	6725301	COVER			1
7	6725303	FRAME			1
8	17C-612	BOLT			2
9	17C-716	BOLT			2
10	85D-7	NUT			2
11	85D-6	NUT			2
12	6675074	SEAT BELT			1
13	6725373	SPRING PLATE			2
14	6727299	INSULATION			1
15	NSS	FRAME	L.H. - weldAon		1
15	NSS	FRAME	R.H. - weldAon		1
16	6674403	COVER	no lights		2

# DELUXE CAB

**NOTE:** When installing heater in export loaders also order 6715365 Harness.



TS-2041

## DELUXE CAB

Ref.N°	Part N°	Description	Remarks	Serial N°	Qty.
1	6727299	INSULATION	cab back		1
2	6669224	BOLT			4
3	6664224	CAP			1
4	6718580	PANEL			1
5	6664223	OUTLET			1
6	6669091	CLIP			4
7	6719038	PLUG			5
8	91G-416	BOLT			4
9	6664085	BUSHING	nylon		4
10	6675545	GROMMET			4
11	6674741	KNOB			4
12	6728629	WINDOW	top - lexan - assy. - W/ seal & grommets		1
13	6664368	DOME LIGHT	dome		1
13	6665367	BULB			1
14	6664221	RETAINER	snap in		2
15	6717520	INSULATION			1
16	6717515	INSULATION	headliner		1
17	6727190	HARNESS	6accessories		1
17	6715365	HARNESS	6accessories - Export - SEE NOTE		1
18	6674895	RETAINER	snap in		4
19	6610510	NYLON TIE			6
20	5289686	PLUG	black - 3/8" hole		5
21	6649949	PLUG	1/2" hole		2
22	6657719	PLUG	3/4" hole		1
23	NAP	EXTRUSION	75.75' (1924mm) long - Order Ref. DELUXE CAB(31)		x
23	NAP	CORD	75.75' (1924mm) long - Order Ref. DELUXE CAB(31)		x
24	6717519	INSULATION			1
25	6559515	EXIT TAG			1
26	6717874	WINDOW	rear		1
27	6717517	INSULATION			1
28	6717518	INSULATION			1
29	6672348	PANEL	R.H. - deluxe - keyless		1
30	6668742	SWITCH	travel control - Export		1
31	6675387	SEA;	bulk - sold per foot		x
31	6554149	CORD	bulk - sold per foot		x

Thank you so much for reading.  
Please click the “Buy Now!”  
button below to download the  
complete manual.



After you pay.

You can download the most  
perfect and complete manual in  
the world immediately.

Our support email:

[ebooklibonline@outlook.com](mailto:ebooklibonline@outlook.com)