

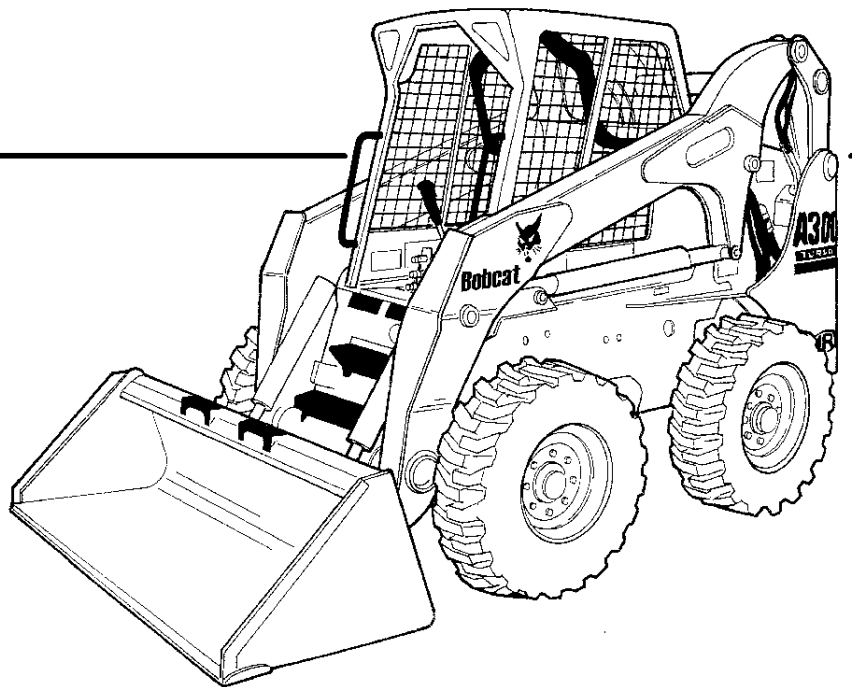
A300
TURBO



Bobcat®

Parts Manual

S/N 5211 11001 & Above



A300 CONTENTS

MAINTENANCE	11-18
MAINTENANCE	11-12
SERVICE SCHEDULE ITEMS	13-18
MAIN FRAME	19-40
MAIN FRAME	19-20
OPERATOR CAB	21-26
SEAT & SEAT BAR	27-28
SEAT	29-30
REAR DOOR	31-32
LIFT ARMS & BOBTACH	33-34
BOB-TACH	35-36
PANELS	37-38
FUEL SYSTEM	39-40
DRIVE TRAIN	41-48
DRIVE TRAIN	41-42
MOTOR CARRIER	43-44
DISC BRAKE	45-46
AXLE	47-48
HYDRAULIC SYSTEM	49-76
HYDRAULIC CIRCUITRY	49-50
LIFT & TILT CONTROL CIRCUITRY	51-52
AUXILIARY HYDRAULICS	53-54
TILT CYLINDER	55-56
LIFT CYLINDER	57-58
STEERING CYLINDER	59-60
MANUAL LIFT RELEASE VALVE	61-62
HYDRAULIC CONTROL VALVE	63-66
BICS CONTROL VALVE	67-68
* HYDRAULIC CONTROL VALVE	69-72
* BICS CONTROL VALVE	73-74
BUCKET POSITIONING VALVE	75-76
HYDROSTATIC SYSTEM	77-114
HYDROSTATIC CIRCUITRY	77-88
HYDROSTATIC MOTOR	89-90
HYDROSTATIC MOTOR & BRAKE	91-94
HYDROSTATIC PUMP	95-102
GEAR PUMP	103-104
STEERING VALVE	105-106
2-SPEED VALVE	107-108
HYDROSTATIC OIL FILTER	109-114
ELECTRICAL SYSTEM	115-126
CAB ELECTRICAL CIRCUITRY	115-116
CONTROLS ELECTRICAL	117-118
ENGINE ELECTRICAL	119-122
ALTERNATOR	123-124
STARTER	125-126
POWER UNIT	127-168
COOLING SYSTEM	127-130
ENGINE & ATTACHING PARTS	131-138
THROTTLE	139-142
COOLING FAN DRIVE ASSY	143-144
ENGINE & GASKET KITS	145-146
MANIFOLDS	147-148
CYLINDER HEAD & COVER	149-150

A300 CONTENTS (Cont'd)

POWER UNIT (CONT'D)	127-168
CAMSHAFT	151-152
FRONT COVER	153-154
CRANKCASE	155-156
OIL PAN	157-158
TURBOCHARGER	159-160
PISTON & CRANKSHAFT	161-162
FUEL INJECTION SYSTEM	163-164
OIL PUMP	165-166
AIR CLEANER	167-168
ACCESSORIES & OPTIONS	171-298
ACS CONVERSION KIT	171-172
ACCESS COVER	173-174
* BACK-UP ALARM	175-176
BEACON	177-178
BLOCK HEATER	179-180
BUCKET POSITIONING KIT	181-182
CAB DOOR	183-194
CAB ENCLOSURE	195-198
CAB WINDOWS	199-202
ELECTRICAL CONNECTOR KIT	203-204
ELECTRICAL CONTROLS KIT	205-210
FIRE EXTINGUISHER	211-212
FLASHER LIGHTS	213-214
F.O.P.S. KIT	215-216
* FRONT AUXILIARY	217-220
* GAS SPRING KIT	221-222
HEATER & A/C	223-240
* HORN KIT	241-242
LIFT KIT	243-246
LIGHT KIT	247-248
POWER BOB-TACH KIT	249-254
POWER BOB-TACH CYLINDER	255-256
POWER BOB-TACH	257-260
PURIFIER	261-262
* RADIATOR SCREEN KIT	263-264
REAR AUXILIARY HYDRAULICS	265-270
REAR AUXILIARY VALVE	271-274
REAR DOOR LOCK	275-276
REAR WIPER	277-278
SEAT	279-282
SEAT BELT	283-288
* SOUND OPTION	289-290
STROBE LIGHT	291-292
TIRES & RIMS	293-294
BULK ITEMS	295-298
NUMERICAL INDEX	299-344
NUMERICAL INDEX	299-344

A300 CONTENTS

MAINTENANCE	11-18
MAINTENANCE	11-12
SERVICE SCHEDULE ITEMS	13-18
MAIN FRAME	19-40
MAIN FRAME	19-20
OPERATOR CAB	21-26
SEAT & SEAT BAR	27-28
SEAT	29-30
REAR DOOR	31-32
LIFT ARMS & BOBTACH	33-34
BOB-TACH	35-36
PANELS	37-38
FUEL SYSTEM	39-40
DRIVE TRAIN	41-48
DRIVE TRAIN	41-42
MOTOR CARRIER	43-44
DISC BRAKE	45-46
AXLE	47-48
HYDRAULIC SYSTEM	49-76
HYDRAULIC CIRCUITRY	49-50
LIFT & TILT CONTROL CIRCUITRY	51-52
AUXILIARY HYDRAULICS	53-54
TILT CYLINDER	55-56
LIFT CYLINDER	57-58
STEERING CYLINDER	59-60
MANUAL LIFT RELEASE VALVE	61-62
HYDRAULIC CONTROL VALVE	63-66
BICS CONTROL VALVE	67-68
* HYDRAULIC CONTROL VALVE	69-72
* BICS CONTROL VALVE	73-74
BUCKET POSITIONING VALVE	75-76
HYDROSTATIC SYSTEM	77-114
HYDROSTATIC CIRCUITRY	77-88
HYDROSTATIC MOTOR	89-90
HYDROSTATIC MOTOR & BRAKE	91-94
HYDROSTATIC PUMP	95-102
GEAR PUMP	103-104
STEERING VALVE	105-106
2-SPEED VALVE	107-108
HYDROSTATIC OIL FILTER	109-114
ELECTRICAL SYSTEM	115-126
CAB ELECTRICAL CIRCUITRY	115-116
CONTROLS ELECTRICAL	117-118
ENGINE ELECTRICAL	119-122
ALTERNATOR	123-124
STARTER	125-126
POWER UNIT	127-168
COOLING SYSTEM	127-130
ENGINE & ATTACHING PARTS	131-138
THROTTLE	139-142
COOLING FAN DRIVE ASSY	143-144
ENGINE & GASKET KITS	145-146
MANIFOLDS	147-148
CYLINDER HEAD & COVER	149-150

A300 CONTENTS (Cont'd)

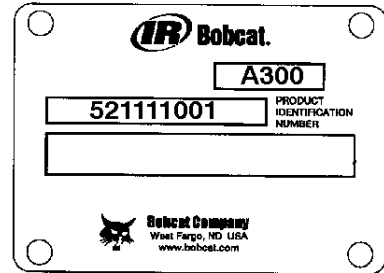
POWER UNIT (CONT'D)	127-168
CAMSHAFT	151-152
FRONT COVER	153-154
CRANKCASE	155-156
OIL PAN	157-158
TURBOCHARGER	159-160
PISTON & CRANKSHAFT	161-162
FUEL INJECTION SYSTEM	163-164
OIL PUMP	165-166
AIR CLEANER	167-168
ACCESSORIES & OPTIONS	171-298
ACS CONVERSION KIT	171-172
ACCESS COVER	173-174
* BACK-UP ALARM	175-176
BEACON	177-178
BLOCK HEATER	179-180
BUCKET POSITIONING KIT	181-182
CAB DOOR	183-194
CAB ENCLOSURE	195-198
CAB WINDOWS	199-202
ELECTRICAL CONNECTOR KIT	203-204
ELECTRICAL CONTROLS KIT	205-210
FIRE EXTINGUISHER	211-212
FLASHER LIGHTS	213-214
F.O.P.S. KIT	215-216
* FRONT AUXILIARY	217-220
* GAS SPRING KIT	221-222
HEATER & A/C	223-240
* HORN KIT	241-242
LIFT KIT	243-246
LIGHT KIT	247-248
POWER BOB-TACH KIT	249-254
POWER BOB-TACH CYLINDER	255-256
POWER BOB-TACH	257-260
PURIFIER	261-262
* RADIATOR SCREEN KIT	263-264
REAR AUXILIARY HYDRAULICS	265-270
REAR AUXILIARY VALVE	271-274
REAR DOOR LOCK	275-276
REAR WIPER	277-278
SEAT	279-282
SEAT BELT	283-288
* SOUND OPTION	289-290
STROBE LIGHT	291-292
TIRES & RIMS	293-294
BULK ITEMS	295-298
NUMERICAL INDEX	299-344
NUMERICAL INDEX	299-344

GENERAL INFORMATION

When using the machine serial number, use the complete number.

Some Serial Number breaks are not available at time of printing. These are listed as & Below or & Above.

The number shown in the quantity column in this manual is the number of parts needed for the illustration on the page. For some parts an "x" will be shown in the quantity column. This "x" indicates that the quantity to be used is "As Needed".



DOMESTIC

When references L.H. and R.H. are used in this manual, it is done from the operator's seat in the forward operating position.

To find the size and kind of bolt use the Bobcat Standard Microfiche (P/N 6566077).

Some of the illustrations and information found in this parts manual were supplied to Bobcat by machine component companies.

ABBREVIATIONS & SYMBOLS

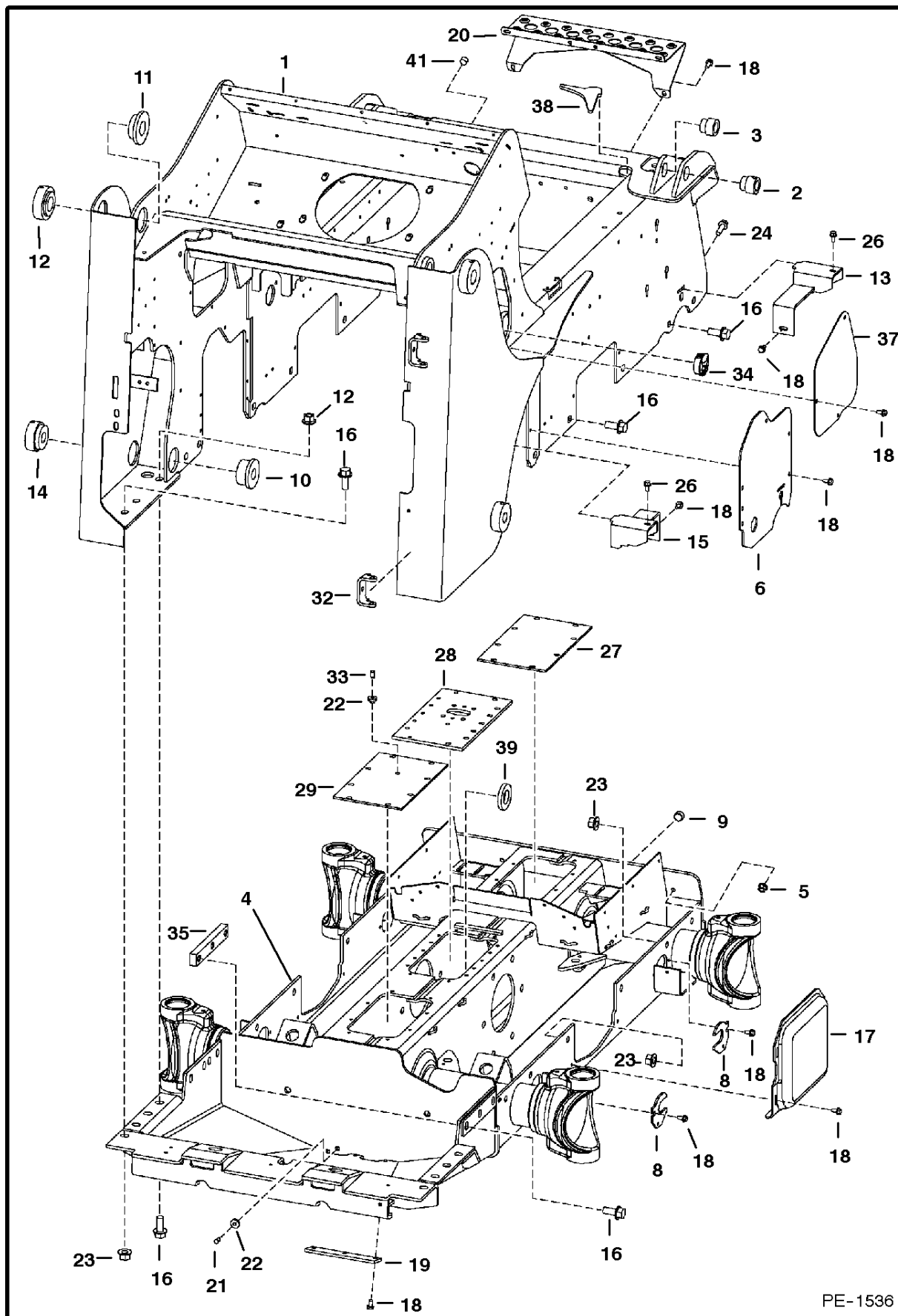
- SALES** = Order from Gwinner Sales Department
NSS = Not Serviced Separately
NAP = Not Available as Parts
***** = Changed or Added Sections, Pages or Part Numbers

Disposition Code Definition (Found in the Remarks Column)

- [A]** = Use Up
[B] = Use Up on Other Application (See PNI)
[C] = File PDR Report With Bobcat Parts Sales
[D] = Part Number Error

Explications en francais	Grid Nb	3
Erklärungen auf deutsch	Grid Nb	4
Spiegazioni in italiano	Grid Nb	5
Explicaciones en espanol	Grid Nb	6
Verklaring in het Nederlands	Grid Nb	7

MAIN FRAME

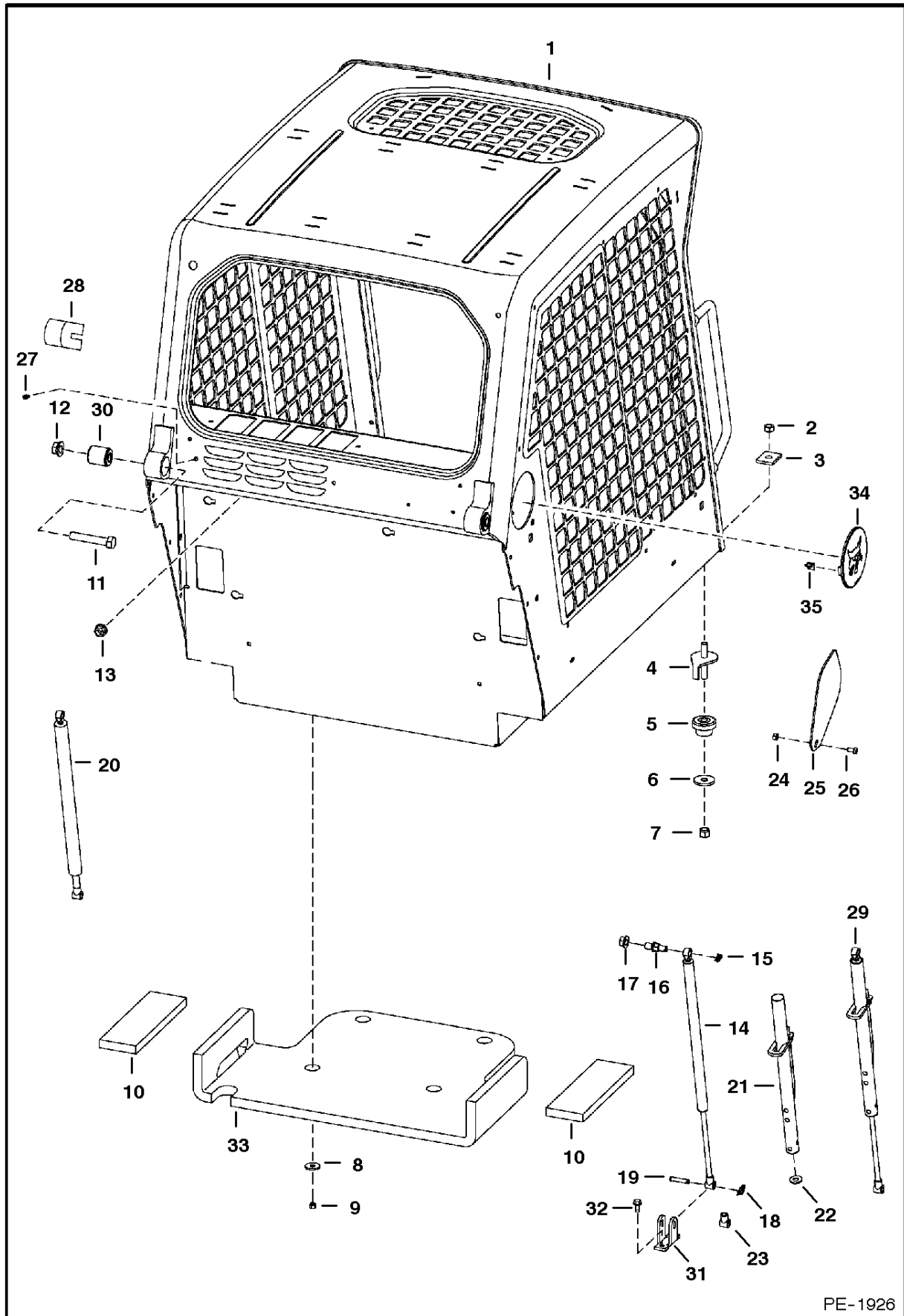


PE-1536

MAIN FRAME

Ref.N°	Part N°	Description	Remarks	Serial N°	Qty.
1	6730735	MAIN FRAME			1
2	6717277	BUSHING	weldAon		2
3	6717278	BUSHING	weldAon		2
4		CHAINCASE	See Page DRIVE TRAIN(1) - frame only		1
5	83D-8	NUT			4
6	6731649	COVER			2
7	83D-12	NUT			19
8	6731052	COVER			4
9	6731121	PLUG	chaincase fill		1
10	6730785	BUSHING	inside upright weldAon		2
11	6729401	BUSHING	inside upright weldAon		2
12	6729402	BUSHING	outside upright weldAon		2
13	6731354	SHIELD	front		2
14	6730784	BUSHING	outside upright weldAon		2
15	6731782	SHIELD	rear		2
16	31C-1228	BOLT			22
17	6719168	COVER			2
18	84G-3712	BOLT			8
19	6700182	COVER	drain		1
20	6732577	STEP			1
21	6599645	PLUG	chaincase drain		1
22	6553411	BUSHING			2
23	53D-12	NUT			20
24	31C-824	BOLT			4
25	6564669	NUT	wheel - See Page AXLE(4)		32
26	35C-612	BOLT			4
27		COVER	See Page DISC BRAKE(3)		1
28		COVER	See Page DISC BRAKE(3)		1
29		COVER	See Page DISC BRAKE(3)		1
30		BREATHER	See Page DISC BRAKE(3)		1
31	6706485	HOOK	tie down - weldAon		2
32	6708987	BRACKET	weldAon		2
33	6680970	BREATHER	Was 6670627 [A]		4
34	6718796	PLUG			1
35	6706857	BLOCK	threaded		2
36	84G-3708	BOLT			6
37	6730783	COVER			2
38		GUSSET			2
39		MAGNET			2
40		PLUG	.687' diameter hole		8
41		PLUG			1

OPERATOR CAB

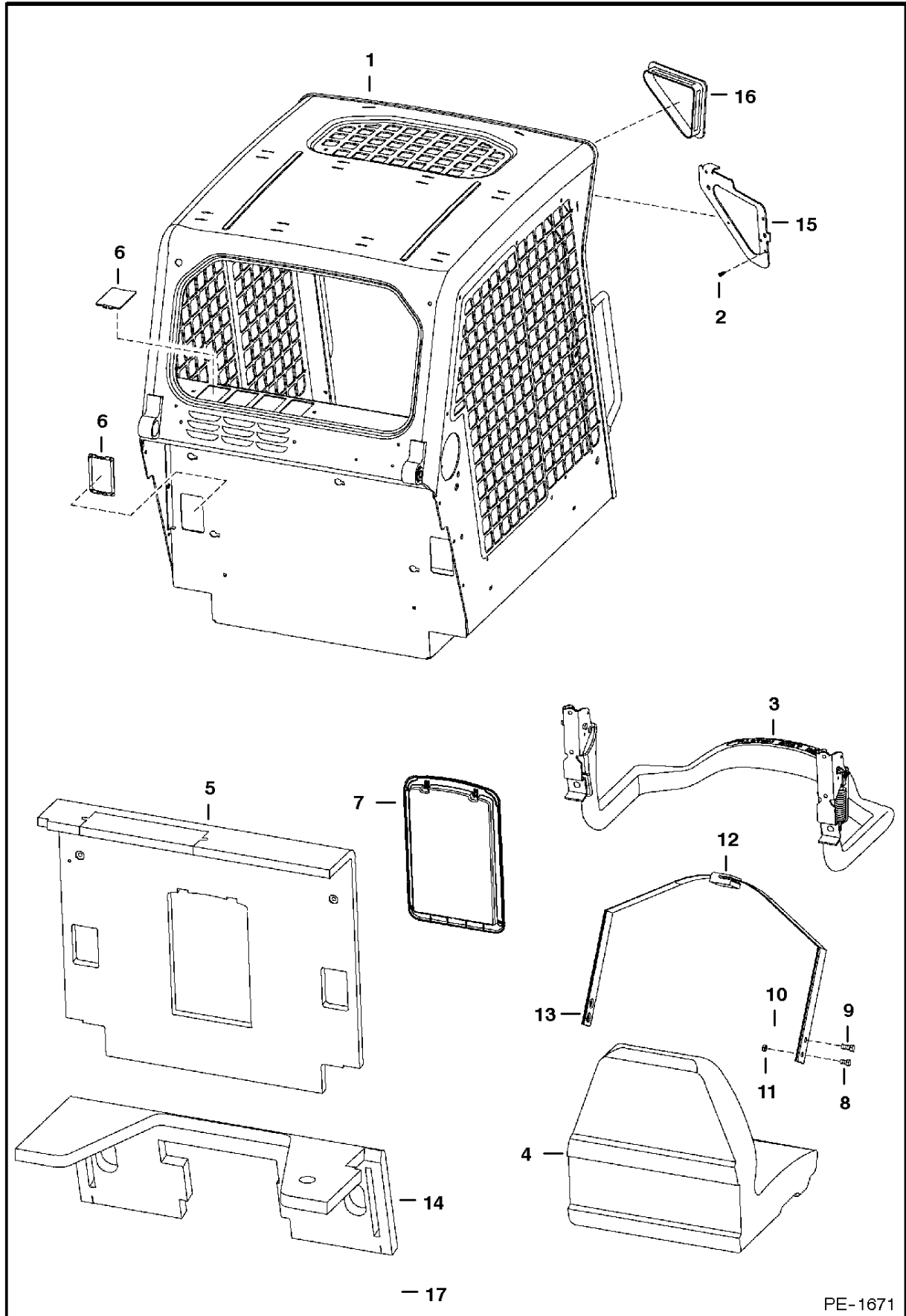


PE-1926

OPERATOR CAB

Ref.N°	Part N°	Description	Remarks	Serial N°	Qty.
1	6719672	OPERATOR CAB	includes cab decals		1
2	59D-8	NUT			2
3	6553709	WASHER	rectangular		2
4	6702971	BOLT			2
5	6560633	MOUNT			2
6	6515817	WASHER			2
7	85D-8	NUT			2
8	619021	WASHER			4
9	59D-5	NUT			4
10	6729012	INSULATION	seat pan		2
11	17C-1056	BOLT			2
12	53D-10	NUT			2
13	53D-6	NUT			4
14	6675135	GAS SPRING	R.H.		1
15	6675140	SNAP RING			2
16	6719064	MOUNT			2
17	97D-8	NUT			2
18	6631418	PIN	ring		2
19	6567743	PIN			2
20	6675134	GAS SPRING	L.H. - Was 6675137 [B,D]		1
20	6675136	GAS SPRING	L.H. - for cab W/ enclosure - Was 6675139 [B,D]		1
21	6708189	TUBE	stop - R.H.		1
22	6701174	WASHER			1
23	6675257	ROD END	Was 6675258 [B,D]		1
24	95D-5	NUT			2
25	6718784	COVER			2
26	25G-512	BOLT			2
27	6675033	INSERT			x
28	6579613	STOP			2
29	NAP	GAS SPRING	R.H. - W/ latch - Order Ref. OPERATOR CAB(14) & OPERATOR CAB(21)-OPERATOR CAB(23)		1
30	6562602	BUSHING			2
31	6706349	MOUNT	gas spring		2
32	84G-3112	BOLT			4
33	6729013	INSULATION	seat pan		1
34	6733107	PLUG	W/Ref. OPERATOR CAB(35)		2
35	6679990	CLIP			6

OPERATOR CAB



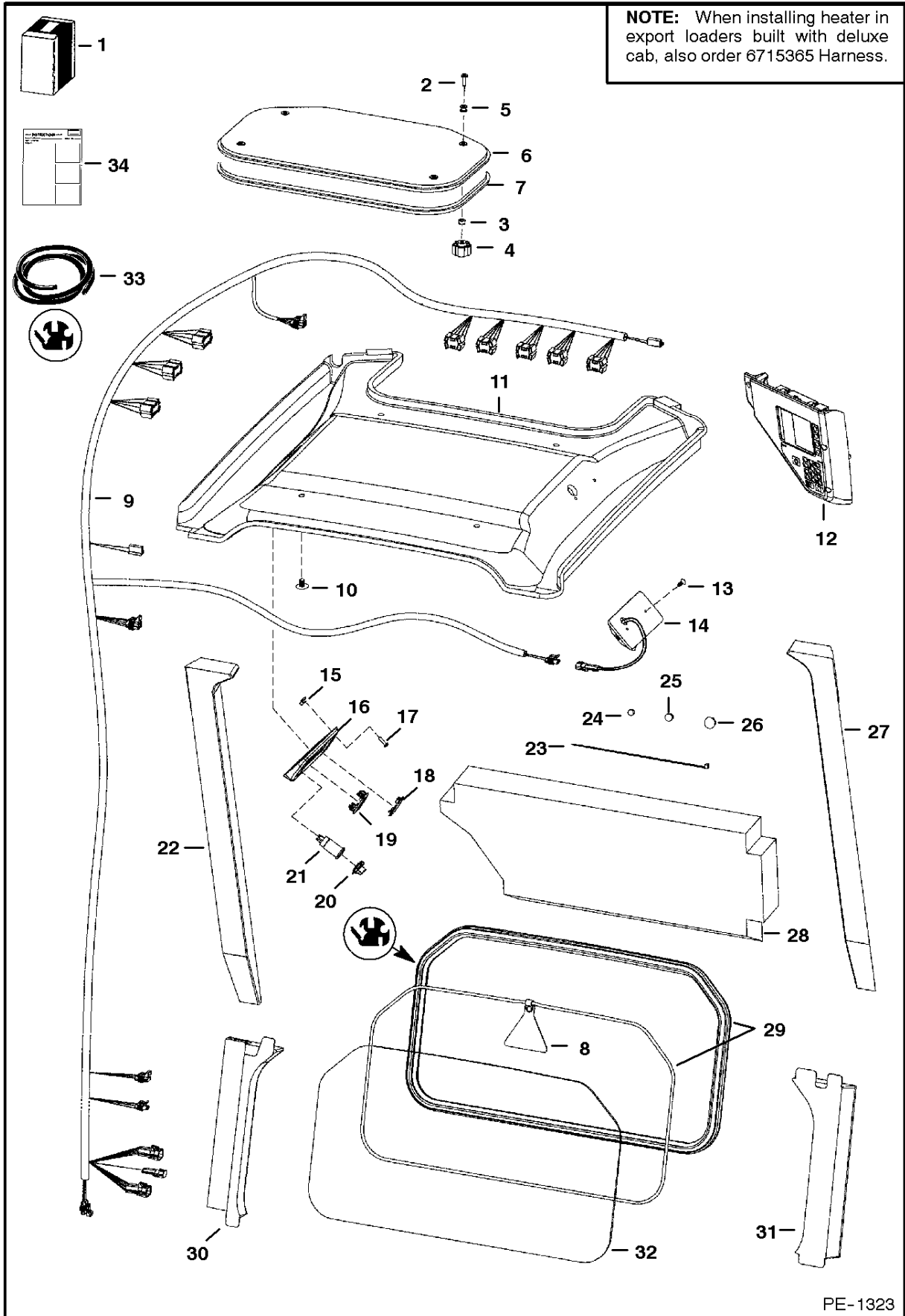
PE-1671

OPERATOR CAB

Ref.N°	Part N°	Description	Remarks	Serial N°	Qty.
1	6719672	OPERATOR CAB	does not include cab decals		1
2	6675033	INSERT			6
3		SEAT BAR	See Page SEAT & SEAT BAR(3)		1
4		SEAT	See Page SEAT(1) & SEAT(3)		1
5	6717516	INSULATION			1
6	6718101	COVER			6
7	6719503	CONTAINER	manuals		1
7	6675524	CLIP			2
7	6725301	COVER			1
7	6725303	FRAME			1
8	17C-612	BOLT			2
9	17C-716	BOLT			2
10	85D-7	NUT			2
11	85D-6	NUT			2
12	6675074	SEAT BELT			1
13	6725373	SPRING PLATE			2
14	6716800	INSULATION			1
15	NSS	FRAME	L.H. - weldAon		1
15	NSS	FRAME	R.H. - weldAon		1
16	6674403	COVER	no lights		2
17	6701674	INSULATION			1

OPERATOR CAB

NOTE: When installing heater in export loaders built with deluxe cab, also order 6715365 Harness.



PE-1323

OPERATOR CAB

Ref.N°	Part N°	Description	Remarks	Serial N°	Qty.
1	6729233	KIT	deluxe cab		1
2	91G-416	BOLT	used W/ 6674741 knob		4
2	91G-420	BOLT	used W/ 6681614 knob		4
3	6664085	BUSHING	nylon		4
4	NAP	KNOB	5/8" deep thread - Was 6674741 [A]		4
4	6681614	KNOB	11/16" deep thread		4
5	6675545	GROMMET			4
6	6728629	WINDOW	assy. - W/ seal & grommets		1
7	NAP	SEAL	%Order Ref. OPERATOR CAB(6)		1
8	6559515	EXIT TAG			1
9	6727190	HARNESS	deluxe accessories		1
9	6715365	HARNESS	accessories - export - not in kit		1
10	6674895	RETAINER	snap in		4
11	6717515	INSULATION	headliner		1
12	6683395	PANEL	R.H. - deluxe - keyless - not in kit - export - Was 6678682 [A]		1
13	6664221	RETAINER	snap in		2
14	6680326	LIGHT	dome - Was 6664368 [A]		1
14	6665367	BULB			1
15	6669091	CLIP			4
16	6718580	PANEL			1
17	6669224	BOLT			4
18	6665314	PLUG	switch - Was 6719038 [A]		5
19	6668742	SWITCH	travel control - export		1
20	6664224	CAP			1
21	6664223	OUTLET			1
22	6717519	INSULATION			1
23	6610510	NYLON TIE			6
24	5289686	PLUG	black - .375" hole		1
25	6649949	PLUG	.5" hole		2
26	6657719	PLUG	.75" hole		1
27	6717520	INSULATION			1
28	6727299	INSULATION	cab back		1
29	NAP	EXTRUSION	75.75' (1924mm) long - Order Ref. OPERATOR CAB(33)		x
29	NAP	CORD	75.75' (1924mm) long - Order Ref. OPERATOR CAB(33)		x
30	6717517	INSULATION			1
31	6717518	INSULATION			1
32	6717874	WINDOW	rear		1
33	6675387	SEA;	bulk - Sold Per Foot		x
33	6554149	CORD	bulk - Sold Per Foot		x
34	6900851	INSTRUCTIONS			1

Thank you so much for reading.
Please click the “Buy Now!”
button below to download the
complete manual.



After you pay.

You can download the most
perfect and complete manual in
the world immediately.

Our support email:

ebooklibonline@outlook.com