

**AUGERS
BREAKERS
CUTTER
CRUSHER**

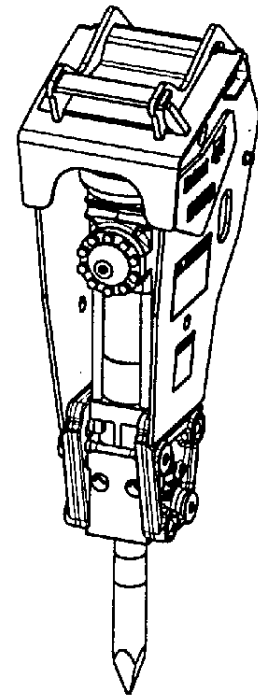
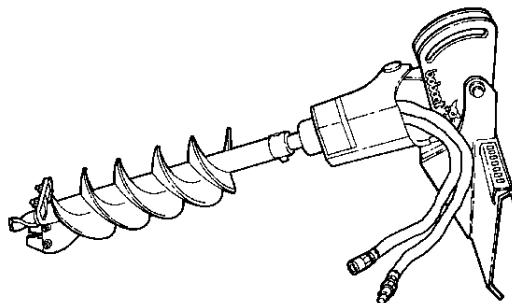
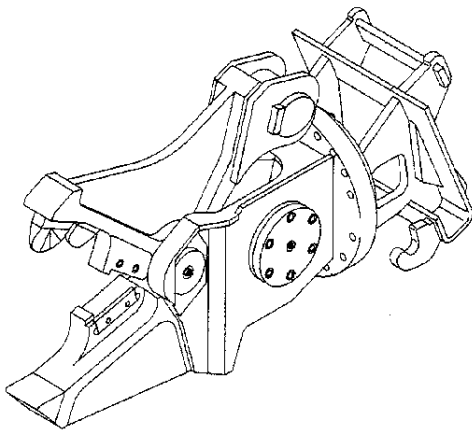


Bobcat®

VOLUME 2

Attachments

Parts Manual



VOLUME INDEX

<p style="text-align: center;">VOLUME 1 Contains</p> <p>BACKHOES REAR STABILIZERS</p> <p style="text-align: center;">(P/N 6901457)</p>	<p style="text-align: center;">VOLUME 7 Contains</p> <p>CHIPPER, CONCRETE MIXER & PUMP SNOW BLOWERS, SNOW & DOZER BLADE UTILITY BLADE, SCRAPER, ATTACHMENT CONTROL KITS, DEMO KITS</p> <p style="text-align: center;">(P/N 6901469)</p>
<p style="text-align: center;">VOLUME 2 Contains</p> <p>AUGERS BREAKERS CUTTER CRUSHER</p> <p style="text-align: center;">(P/N 6901459)</p>	<p style="text-align: center;">VOLUME 8 Contains</p> <p>BOX BLADE, BRUSHCAT, DISC, LANDPLANE LANDSCAPE RAKE, POWER RAKE, SOIL CONDITIONER, SOD LAYER, STUMP GRINDER, TILLER, TREE SPADE, TREE VIB, 3-PT HITCHES, SCARIFIER, TRACKS</p> <p style="text-align: center;">(P/N 6901471)</p>
<p style="text-align: center;">VOLUME 3 Contains</p> <p>ANGLE BROOMS, SWEEPERS GUTTER BRUSH, WHISKER BROOM GRADERS, WATER KITS</p> <p style="text-align: center;">(P/N 6901461)</p>	<p style="text-align: center;">VOLUME 9 Contains</p>
<p style="text-align: center;">VOLUME 4 Contains</p> <p>PLANERS WHEEL SAWS</p> <p style="text-align: center;">(P/N 6901463)</p>	<p style="text-align: center;">VOLUME 10 Contains</p> <p>VERSAHANDLER ATTACHMENTS: AUGER, BROOM, BUCKETS, GRAPPLES, PALLET FORKS & BOOM TRUSS</p> <p style="text-align: center;">(P/N 6901407)</p>
<p style="text-align: center;">VOLUME 5 Contains</p> <p>BUCKETS, COMBO BUCKETS, BUCKET BITE & RAKE, DIGGERS, DUMPING HOPPER, EJECTOR BUCKET, GRAPPLES UTILITY FORKS, PALLET FORKS, TILT- TATCH, UTILITY FRAMES, WEIGHLOG</p> <p style="text-align: center;">(P/N 6901465)</p>	
<p style="text-align: center;">VOLUME 6 Contains</p> <p>TRENCHERS TRENCH COMPACTORS VIBRATORY ROLLER</p> <p style="text-align: center;">(P/N 6901467)</p>	

VOLUME 2 CONTENTS

AUGERS	10-63
GROUND HOG AUGER	10-11
AUGER	12-13
HYDRAULIC MOTOR	14-15
LOWE AUGER	16-19
HYDRAULIC MOTOR (LOWE AUGER)	20-21
MDOEL 12, 18 & 20 AUGERS	22-25
HYDRAULIC MOTOR (LOWE AUGER & MODEL 12 BOBCAT AUGER)	26-27
HYDRAULIC MOTOR (MODEL 18 & 20 BOBCAT AUGER)	28-29
MODEL 10 AUGER	30-33
HYDRAULIC MOTOR (MODEL 10)	34-35
SWING STOP KIT (MODEL 10 AUGER)	36-37
MODEL 15, 15H, 15C, 30, 30H & 30C AUGERS	38-41
SWING STOP KIT (MODEL 15 & 30 AUGER)	42-43
HYDRAULIC MOTOR (MODEL 15, 15H, 30, 30H, 15C & 30C)	44-45
DANUSER AUGER	46-47
TREE AUGER	48-49
AUGER	50-61
ATTACHMENTS PLUS KIT	62-63
BREAKERS	64-243
DEMOLITION HAMMER (AIR)	64-67
DEMOLITION HAMMER MOUNTING	68-69
1250 BREAKER	70-77
CHARGE KIT (1250 BREAKER)	78-79
HYDRAULIC BREAKER TOOLS (1250 BREAKER)	80-81
1560 BREAKER	82-87
HYDRAULIC BREAKER TOOLS (1560 BREAKER)	87-89
2500 BREAKER	90-91
2500 & 3500 BREAKER	92-95
HYDRAULIC BREAKER (2500 BREAKER)	96-99
HYDRAULIC BREAKER (3500 BREAKER)	100-103
HYDRAULIC BREAKER TOOLS (2500 & 3500 BREAKER)	104-105
2560, 3560, 2570 & 3570 BREAKER	106-109
HYDRAULIC BREAKER (2560 & 2570 BREAKER)	110-113
HYDRAULIC BREAKER (3560 & 3570 BREAKER)	114-117
HYDRAULIC BREAKER TOOLS (2500 & 3500 BREAKER)	118-119
5500 BREAKER	120-131
BREAKER MOUNTING KIT	132-133
HYDRAULIC BREAKER (5500 BREAKER)	134-135
HYDRAULIC BREAKER TOOLS (5500 BREAKER)	136-137
HYDRAULIC BREAKER CRADLE & MOUNT (5060 BREAKER)	138-139
HYDRAULIC BREAKER (5060 BREAKER)	140-143
HYDRAULIC BREAKER HOSES (5060 BREAKER)	144-145
BREAKER TOOLS (5060 BREAKER)	146-147
6560 BREAKER	148-149
HYDRAULIC BREAKER HOSES (6560 BREAKER)	150-151
BREAKER BOBTACH CONVERSION KIT	152-153
HYDRAULIC BREAKER (6560 BREAKER)	154-157
BREAKER TOOLS (6560 BREAKER)	158-159
LOADER X-CHANGE FRAME (B700, B850 & B950 BREAKER)	160-161
B700 BREAKER	162-181
B850 & B950 BREAKER	182-199
CHARGE KIT	200-201
BREAKER MOUNTING KITS	202-207
HYDRAULIC BREAKER BACKHOE MTG. (709)	208-209
HYDRAULIC BREAKER BACKHOE MTG. (811)	210-211
HYDRAULIC BREAKER BACKHOE MTG. (909)	212-215
HYDRAULIC BREAKER BACKHOE MTG. (907)	216-219
BREAKER MOUNT (907)	220-221
FLOW DIVERTER VALVE	222-223
CUTTER CRUSHER (MODEL 30)	224-225
HYDRAULIC CYLINDER (MODEL 30)	226-227
CUTTER CRUSHER (MODEL 40)	228-231
HYDRAULIC CYLINDER (MODEL 40)	232-233
BRAKE (MODEL 40)	234-235
HOSE KITS	236-243

VOLUME 2 CONTENTS

DROP HAMMER	244-253
DROP HAMMER	244-253
NUMERICAL INDEX	254-287
NUMERICAL INDEX	254-287

GENERAL INFORMATION

When using the machine serial number, use the complete number.

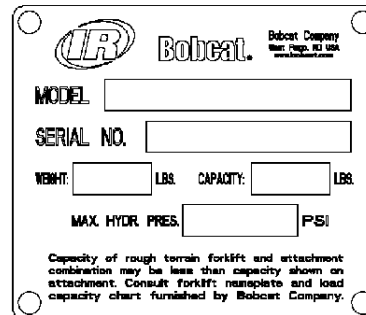
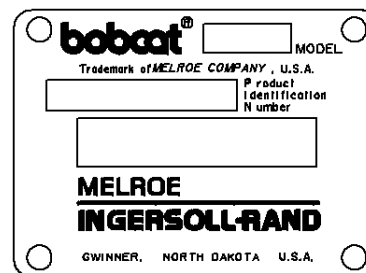
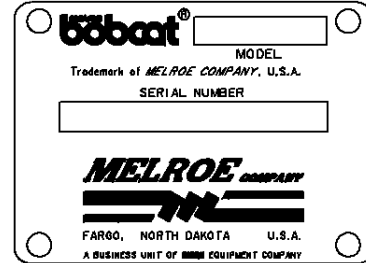
Some Serial Number breaks are not available at time of printing. These are listed as & Below or & Above.

The number shown in the quantity column in this manual is the number of parts needed for the illustration on the page. For some parts an "x" will be shown in the quantity column. This "x" indicates that the quantity to be used is "As Needed".

When references L.H. and R.H. are used in this manual, it is done from the operator's seat in the forward operating position.

To find the size and kind of bolt use the Bobcat Standard Microfiche (P/N 6566077).

Some of the illustrations and information found in this parts manual were supplied to Bobcat Company by machine component companies.



ABBREVIATIONS & SYMBOLS

SALES = Order from Gwinner Sales Department

NSS = Not Serviced Separately

NAP = Not Available as Parts

***** = Changed or Added Sections, Pages or Part Numbers

Disposition Code Definition (Found in the Remarks Column)

[A] = Use Up

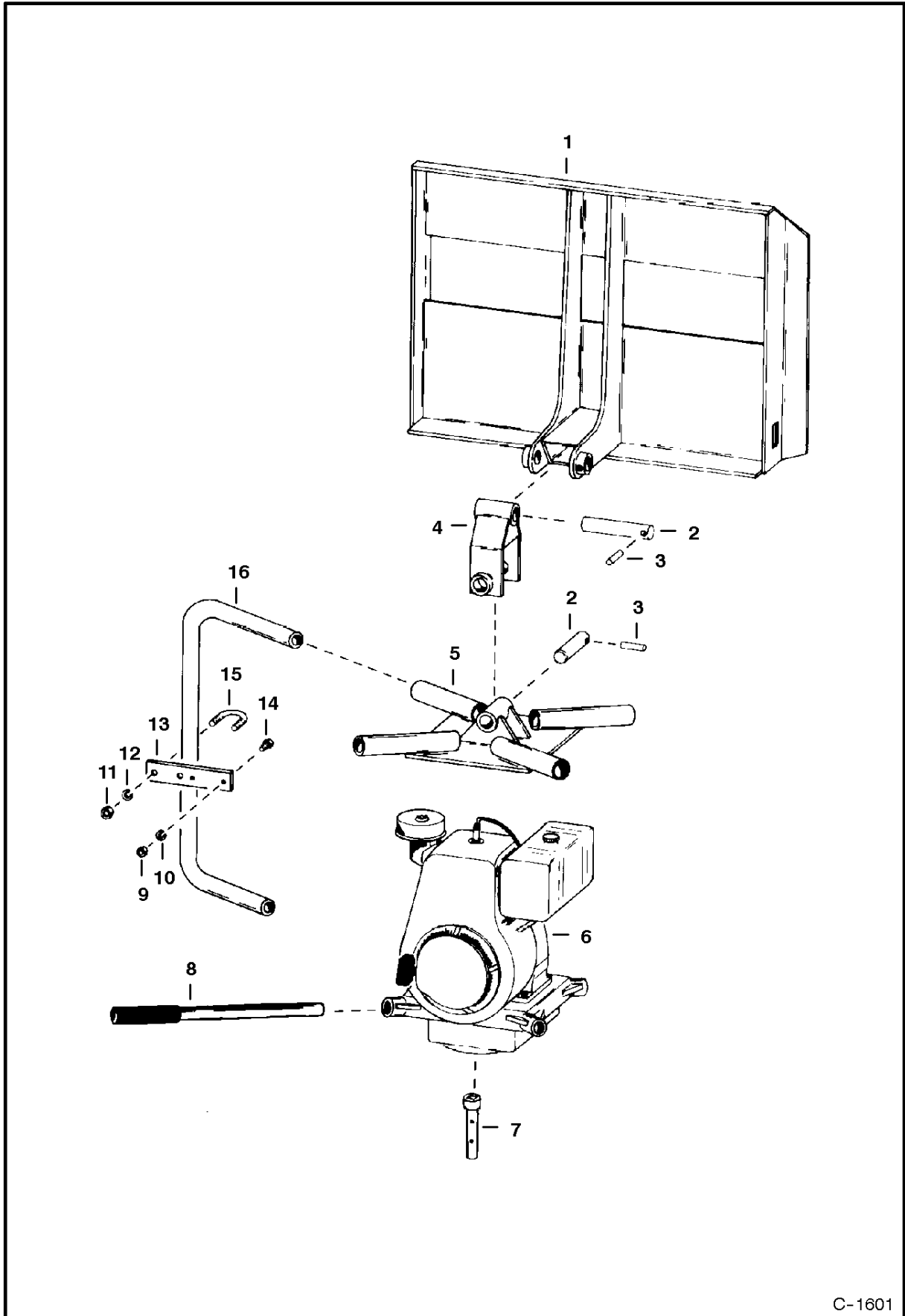
[B] = Use Up on Other Applications (See PNI)

[C] = File PDR Report With Bobcat Parts Sales

[D] = Part Number Error

Explications en francais	Grid Nb	3
Erklärungen auf deutsch	Grid Nb	4
Spiegazioni in italiano	Grid Nb	5
Explicaciones en espanol	Grid Nb	6
Verklaring in het Nederlands	Grid Nb	7

GROUND HOG AUGER MTG.

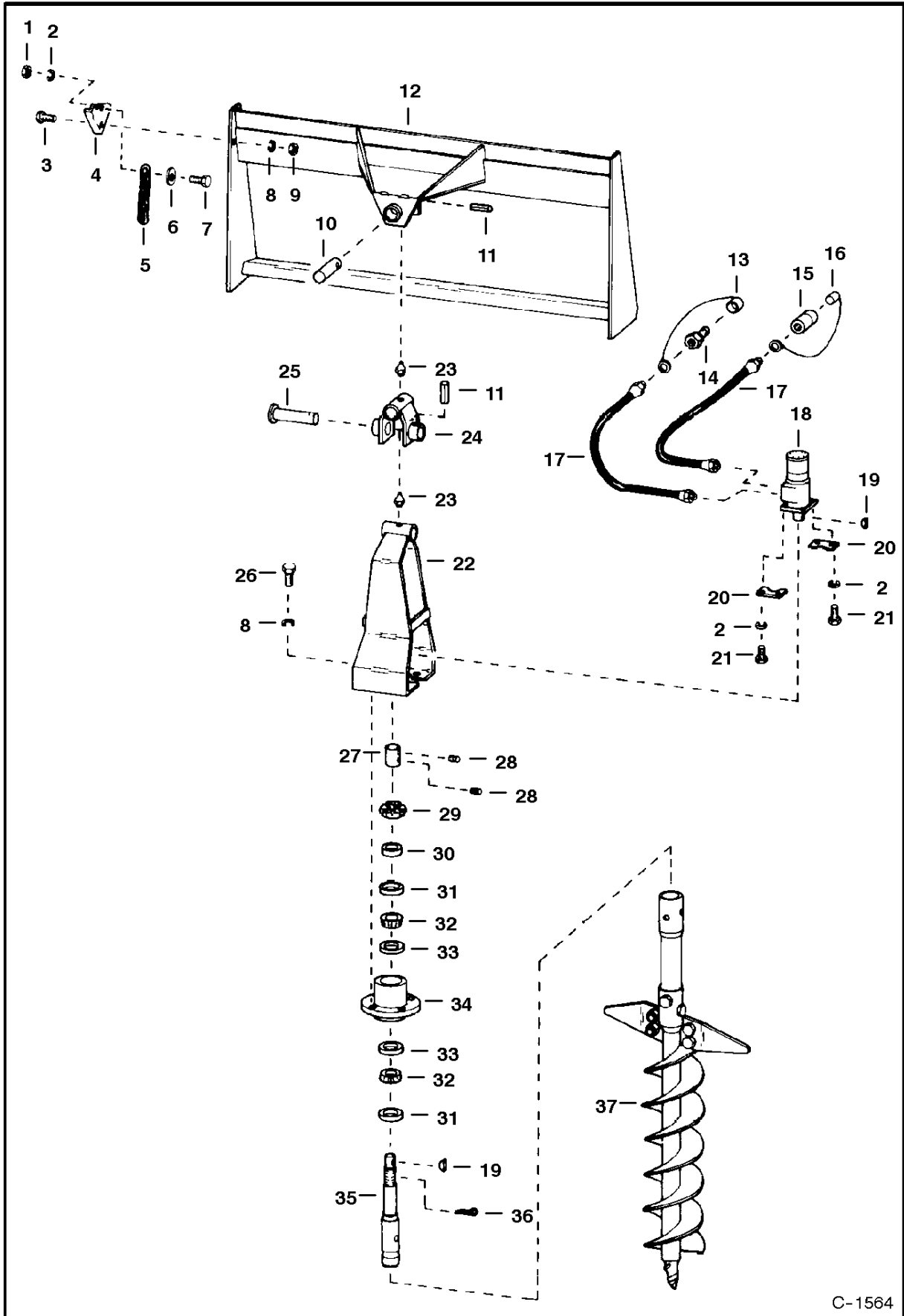


C-1601

GROUND HOG AUGER MTG.

Ref.N°	Part N°	Description	Remarks	Serial N°	Qty.
1	6541836	FRAME			1
2	6505198	PIN			2
3	675351	ROLL PIN			2
4	6541845	PIVOT			1
5	6541849	BRACKET	pivot		1
6	NAP	POWER UNIT	Purchase from Ground Hog Inc.		1
7	6542611	SHAFT	adapter		1
8	6548182	HANDLE			4
9	12D-10	NUT			1
10	17E-10	WASHER			1
11	61D-5	NUT			2
12	4E-5	WASHER			2
13	6541856	MOUNT	throttle		1
14	45G-1012	SCREW			1
15	6541855	U-BOLT			1
16	6541853	TUBE	mounting		4

AUGER

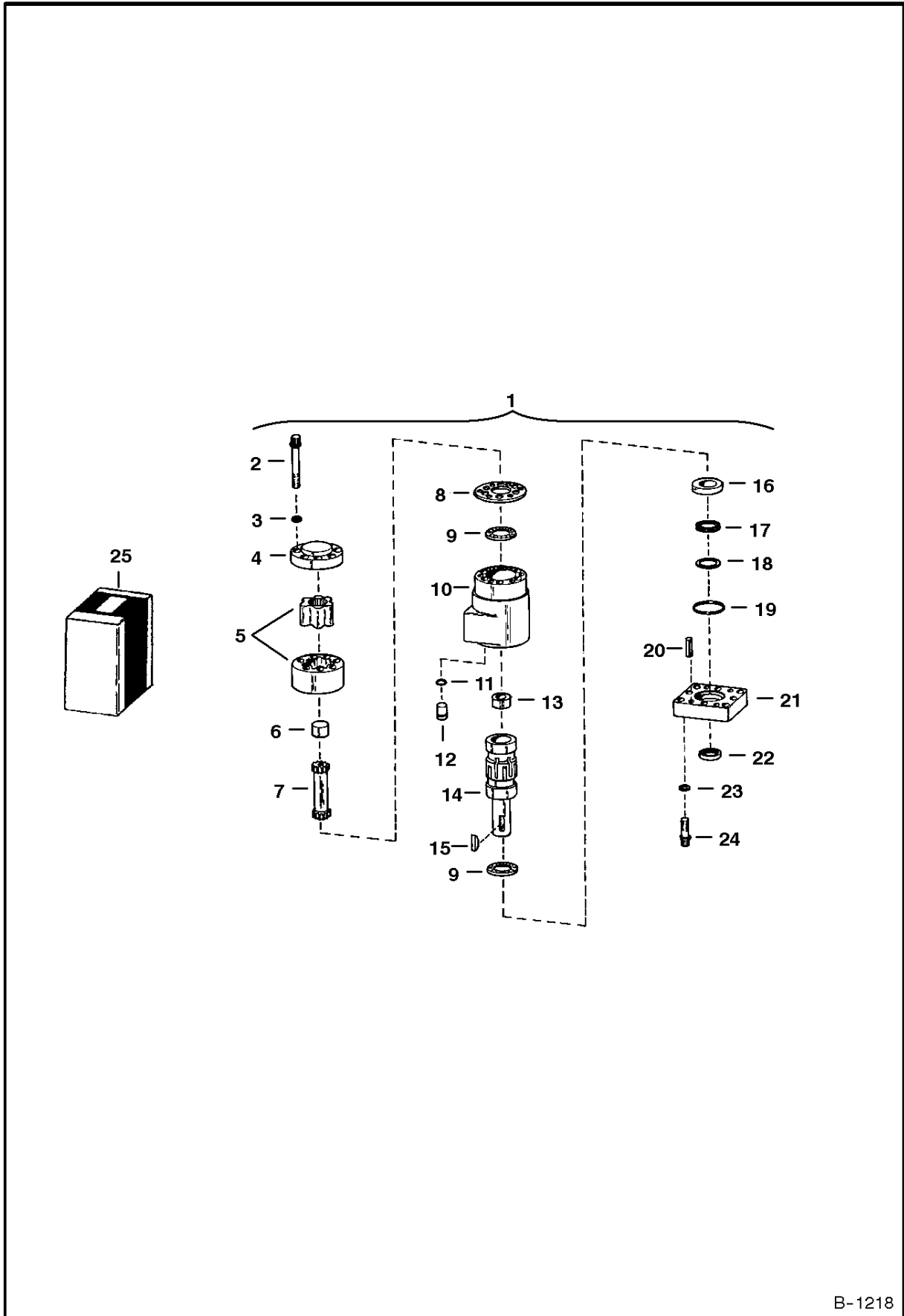


C-1564

AUGER

Ref.N°	Part N°	Description	Remarks	Serial N°	Qty.
1	61D-6	NUT			1
2	4E-6	WASHER			5
3	17C-824	BOLT			2
4	6508277	HANGER			1
5	6502015	CHAIN			1
6	25E-17	WASHER			1
7	17C-620	BOLT			1
8	4E-8	WASHER			6
9	61D-8	NUT			2
10	6505640	HINGE PIN			1
11	14J-2532	ROLL PIN	Was 654722 [A]		2
12	6508283	FRAME			1
13	6515168	CAP	W/Chain		1
14	6598755	QUICK COUPLER	male		1
15	6598756	QUICK COUPLER	female		1
15	25K-40026	O-RING			1
16	6515167	PLUG	W/Chain		1
17	6504524	HOSE			2
18	6519861	MOTOR	hyd. - See Page HYDRAULIC MOTOR(1)		1
19	5J-807	KEY	woodruff		2
20	6508272	STOP	motor		2
21	17C-616	BOLT			4
22	6508302	MOUNT	motor		1
23	1318381	GREASE ZERK			2
24	6516223	KNUCKLE			1
25	6505642	HINGE PIN			1
26	18C-820	BOLT			4
27	6502711	COUPLER			1
28	15G-506	SET SCREW			2
29	6502719	NUT			1
30	6502722	SPACER			1
31	6514043	SEAL	oil		2
32	6648774	BEARING	Was 743777 [A]		2
33	6648776	RACE	Was 743778 [A]		2
34	6502526	HOUSING	bearing - W/Ref. AUGER(32)		1
35	6502718	SHAFT	drive		1
36	1F-440	COTTER PIN			2
37		AUGER	See Page AUGER(1)		1

HYDRAULIC MOTOR

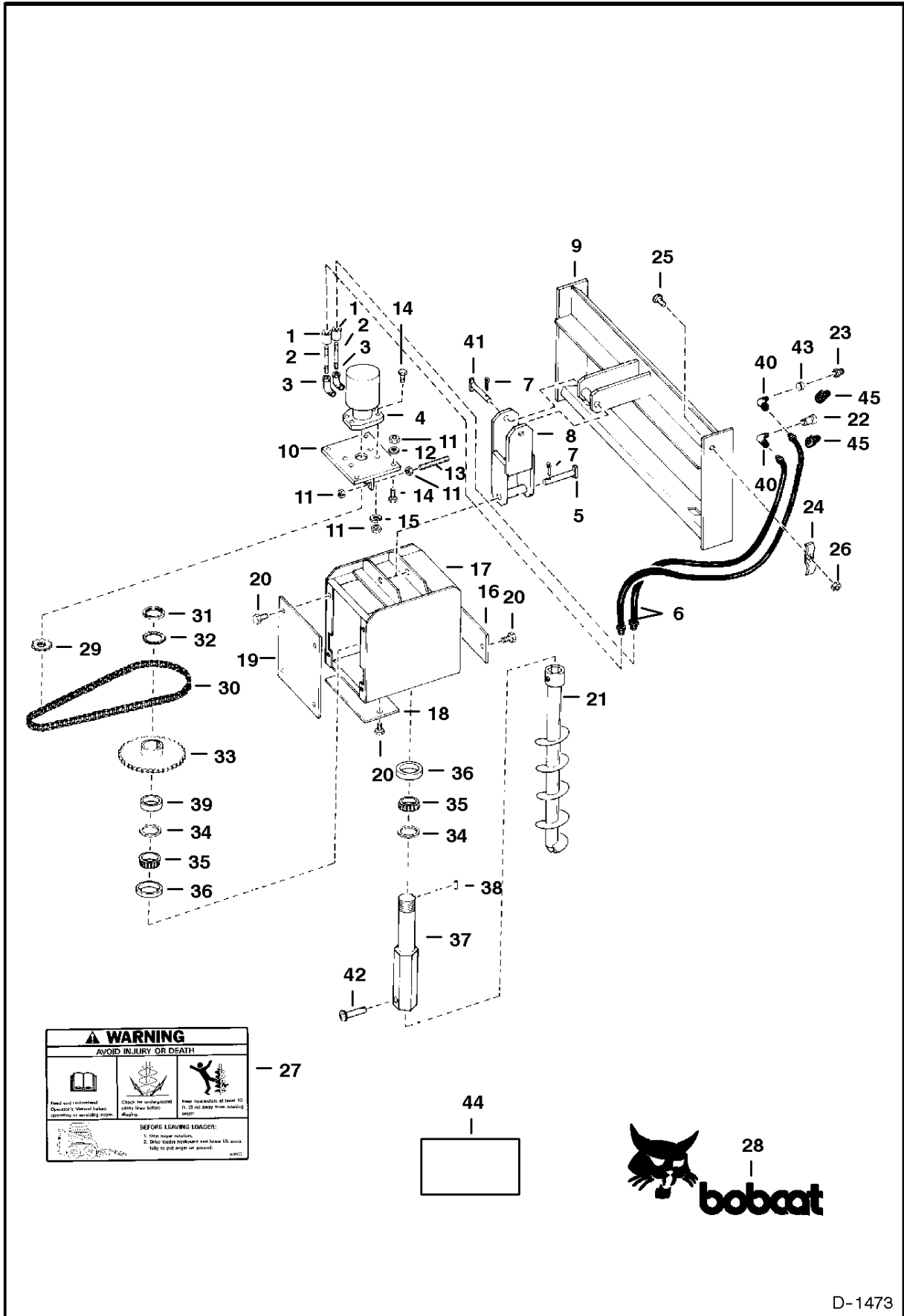


B-1218

HYDRAULIC MOTOR

Ref.N°	Part N°	Description	Remarks	Serial N°	Qty.
1	6519861	MOTOR	W/Ref. HYDRAULIC MOTOR(2) - HYDRAULIC MOTOR(24)		1
2	72G-540	SCREW			7
3	NSS	WASHER	seal		7
4	993537	CAP	end - Was 1567080 [A]		1
5	NAP	GEROTOR			1
6	993024	SPACER			1
7	NAP	DRIVE	gerotor		1
8	1567084	PLATE	spacer		1
9	993018	BEARING	thrust roller		2
10	NAP	HOUSING	Order Ref. HYDRAULIC MOTOR(1) - Was 6517527 [A]		1
11	NSS	O-RING			1
12	NAP	PLUG			1
13	6518097	SPACER			1
14	NSS	SPOOL			1
15	6J-808	KEY			1
16	993019	BEARING			1
17	NSS	SEAL	quad ring		1
18	NSS	WASHER	back-up		1
19	NSS	O-RING			1
20	302602	ROLL PIN			4
21	993021	PLATE	mounting		1
22	NSS	SEAL	oil		1
23	6E-5	WASHER			4
24	94G-514	SCREW	Was 93G-510 [B]		4
25	6517948	KIT	motor repair - Ref. HYDRAULIC MOTOR(3), HYDRAULIC MOTOR(11), HYDRAULIC MOTOR(17) - HYDRAULIC MOTOR(19) & HYDRAULIC MOTOR(22)		1

AUGER (Lowe)



D-1473

AUGER

Ref.N°	Part N°	Description	Remarks	Serial N°	Qty.
1	37F-4	COUPLER			2
2	5K-444	NIPPLE			2
3	535276	ELBOW			2
4		MOTOR	See Page HYDRAULIC MOTOR - (1)		1
5	6513442	PIN			1
6	1564255	HOSE			2
7	1F-828	COTTER PIN			2
8	6513668	LINK	connector		1
9	NAP	BRACKET	Was 6513670 [A]		1
10	6513667	PLATE			1
11	61D-5	NUT			4
12	25E-20	WASHER			4
13	6011899	ROD	adjusting		2
14	17C-828	BOLT			4
15	24E-8	WASHER			15
16	6513666	COVER	rear		1
17	6513663	HOUSING	drive		1
18	6513665	COVER	lower		1
19	6513664	COVER	front		1
20	17C-612	BOLT			8
21	SALES	AUGER	See Page AUGER(7)		1
22	6598756	QUICK COUPLER	female - poppet		1
22	6672960	COUPLER	female FF - Was 6667807 [A]		1
22	25K-40026	O-RING	used with poppet coupler		1
23	6598755	QUICK COUPLER	male - poppet		1
23	6667808	COUPLER	male - flush face		1
23	6672026	O-RING			1
24	6502773	CLAMP			2
25	17C-624	BOLT			2
26	81D-6	NUT			2
27	6701001	DECAL	Was 6567255 [A]		2
28	6567987	DECAL	bobcat		2
29	6513425	SPROCKET	motor		1
30	6531427	CHAIN	Was 6513427 [A]		1
30	6632387	LINK	Was 6515191 [B]		1
31	24H-10	NUT			1
32	26H-10	WASHER			1
33	6531426	SPROCKET	Was 6513426 [A]		1
34	6513441	SEAL			2
35	6648054	BEARING	Was 655233 [A]		2
36	654152	RACE			2
37	NAP	SHAFT	round - W/ 1/2' (12,7mm) hole - Order 6599982 & 6652833 - Was 6645243 [A]		1
37	NAP	SHAFT	round - W/ 7/8' (22,23mm) hole - 17' (431,8mm) long - Order 6652833 Qty. 1 & 6648054 Qty. 2 - Was 6599664 [A]		1
37	6652833	SHAFT	round - W/ 7/8' (22,23mm) hole - 13' (330,2mm) long		1
37	6632176	SHAFT	hex		1
38	7J-7106	KEY			1
39	6513669	SPACER			1
40	29F-3	ELBOW			2
41	6660415	PIN			1
42	6599982	BUSHING	Needed when using auger W/1/2' (12,7mm) hole and drive shaft W/ 7/8' (22,23mm) hole		1
43	6565265	ORIFICE	.142' (3,61mm) Dia		1
44	6651416	DECAL			1

Thank you so much for reading.
Please click the “Buy Now!”
button below to download the
complete manual.



After you pay.

You can download the most
perfect and complete manual in
the world immediately.

Our support email:

ebooklibonline@outlook.com