

**BROOMS
SWEEPERS
GRADERS
WATER
KITS**

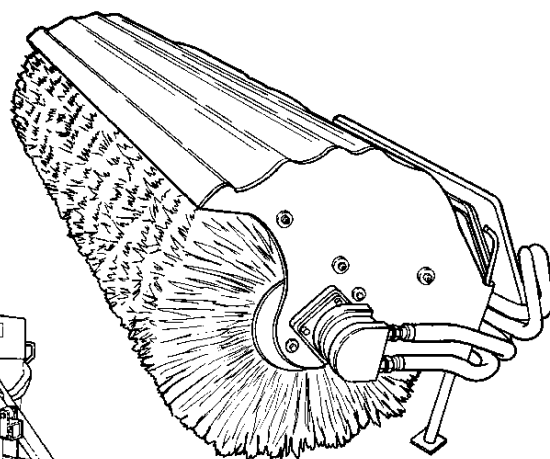
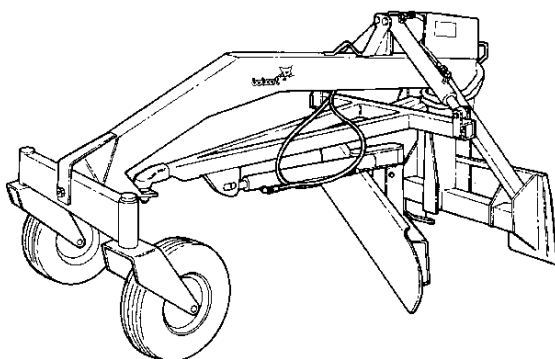
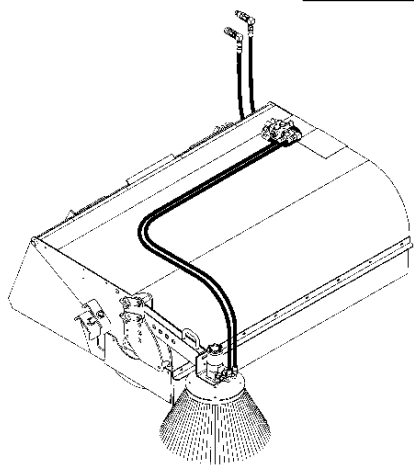


Bobcat®

VOLUME 3

Attachments

Parts Manual



VOLUME INDEX

<p style="text-align: center;">VOLUME 1 Contains</p>	<p style="text-align: center;">VOLUME 7 Contains</p> <p>CHIPPER CONCRETE MIXER CONCRETE PUMP</p> <p style="text-align: center;">(P/N 6901469)</p>
<p style="text-align: center;">VOLUME 2 Contains</p> <p>AUGERS BREAKERS CUTTER CRUSHER (P/N 6901459)</p>	<p style="text-align: center;">VOLUME 8 Contains</p>
<p style="text-align: center;">VOLUME 3 Contains</p> <p>ANGLE BROOMS, SWEEPERS, GUTTER BRUSH, WHISKER BROOM GRADERS, WATER KITS (P/N 6901461)</p>	<p style="text-align: center;">VOLUME 9 Contains</p>
<p style="text-align: center;">VOLUME 4 Contains</p> <p>PLANERS WHEEL SAWS</p> <p style="text-align: center;">(P/N 6901463)</p>	<p style="text-align: center;">VOLUME 10 Contains</p> <p>VERSAHANDLER ATTACHMENTS: AUGER, BROOM, BUCKETS, GRAPPLES, PALLET FORKS & BOOM TRUSS</p> <p style="text-align: center;">(P/N 6901407)</p>
<p style="text-align: center;">VOLUME 5 Contains</p> <p>BUCKETS, COMBO BUCKETS, BUCKET BITE & RAKE, DIGGERS, DUMPING HOPPER, EJECTOR BUCKET, GRAPPLES UTILITY FORKS, PALLET FORKS, TILT- TATCH, UTILITY FRAMES, WEIGHLOG (P/N 6901465)</p>	
<p style="text-align: center;">VOLUME 6 Contains</p> <p>TRENCHERS TRENCH COMPACTORS VIBRATORY ROLLER</p> <p style="text-align: center;">(P/N 6901467)</p>	

VOLUME 3 CONTENTS

BROOMS	10-79
ANGLE BROOM	10-13
HYDRAULIC CUSHION VALVE	14
CASTER WHEEL	15
HYDRAULIC STABILIZER	16
HYDRAULIC CYLINDER	17-18
MAIN FRAME & ATTACHING PARTS	20-21
HYDRAULICS	22
CORE & BRISTLE	23
CASTER WHEEL	24-27
HYDRAULIC CUSHION VALVE	28
HYDRAULIC MOTOR	29
ANGLE BROOM - 68" (1727MM)	30-39
ANGLE BROOM (1600 & 2000)	40-43
ANGLE BROOM (2400)	44-47
INDUSTRIAL BROOM	48-51
SCHROUDING	52
MOTOR	53-55
BRUSHES	56-57
WATER ATTACHMENT	58-59
ANGLE BROOM - 68" (1727MM) & 84" (2134MM)	60-67
HYDRAULIC MOTOR	68-71
DRIVE ASSEMBLY	72
CYLINDER	73-74
CONTROL VALVE	75
WHISKERS PUSH BROOM	76-79
SWEEPERS	80-129
44" SWEEPER	80-83
HYDROSTATIC MOTOR (44" SWEEPER)	84-85
SWEEPER (54", 60" & 72")	86-97
SWEEPER BRUSHES (54", 60" & 72")	98-100
HYDROSTATIC MOTOR (SWEEPER - 103-1037)	102-105
ATTACHMENTS PLUS KIT	106
GUTTER BRUSH	108-110
VALVE	111
SWEEPER MAIN FRAME (M-562 & M562A)	112-113
BLOWER & BRUSH DRIVE (M-562 & M562A)	114-115
SWEEPER MAIN FRAME (M-662)	116-117
SWEEPER BRUSHES (M-662)	118-119
BLOWER & BRUSH DRIVE (M-662)	120-121
REAR BRUSH HANGERS & BEARINGS	122
HYDRAULIC MOTOR (BRUSH DRIVE)	123
GUTTER BRUSH	124-127
HYDRAULIC MOTOR (GUTTER BRUSH)	128
GRADERS	130-178
GRADER MAIN FRAME	130-131
GRADER HYDRAULIC CIRCUITRY	132-133
HYDRAULIC VALVE	134
CASTER WHEEL	135
BLADE TILT CYLINDER	136-137
BOBCAT GRADER	138-141
HYDRAULIC CIRCUITRY (GRADER - S/N 802700335 & ABOVE)	142-145
CONTROLS ELECTRICAL	146-151
GRADER ELECTRICAL	152-153
HYDRAULIC VALVE	154-159
TILT CYLINDER	160-162
RELIEF VALVE	163
SCARIFIER	164
ECONO GRADER	166-169
MAIN FRAME	170-171
HYDRAULIC CIRCUITRY (GRADER - S/N 648000101 & ABOVE)	172-173
TIRE MOUNT ASSY	174-175
CONTROL VALVE	176-177
TILT & ANGLE CYLINDER	178

VOLUME 3 CONTENTS (CONT'D)

WATER KITS	180-191
WATER KIT (QUICK-TACH)	180-181
740'S & 750'S WATER KIT	182-185
WATER KITS	186-189
NOZZLE SPRAY KIT	190-191
NUMERICAL INDEX	192-222
NUMERICAL INDEX	192-222

GENERAL INFORMATION

When using the machine serial number, use the complete number.

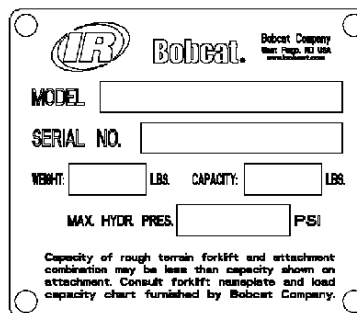
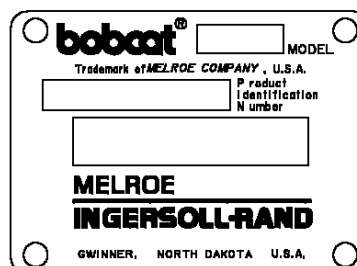
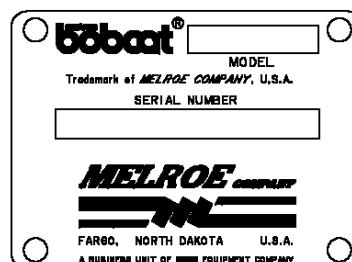
Some Serial Number breaks are not available at time of printing. These are listed as & Below or & Above.

The number shown in the quantity column in this manual is the number of parts needed for the illustration on the page. For some parts an "x" will be shown in the quantity column. This "x" indicates that the quantity to be used is "As Needed".

When references L.H. and R.H. are used in this manual, it is done from the operator's seat in the forward operating position.

To find the size and kind of bolt use the Bobcat Standard Microfiche (P/N 6566077).

Some of the illustrations and information found in this parts manual were supplied to Bobcat Company by machine component companies.



ABBREVIATIONS & SYMBOLS

SALES = Order from Gwinner Sales Department

NSS = Not Serviced Separately

NAP = Not Available as Parts

***** = Changed or Added Sections, Pages or Part Numbers

Disposition Code Definition (Found in the Remarks Column)

[A] = Use Up

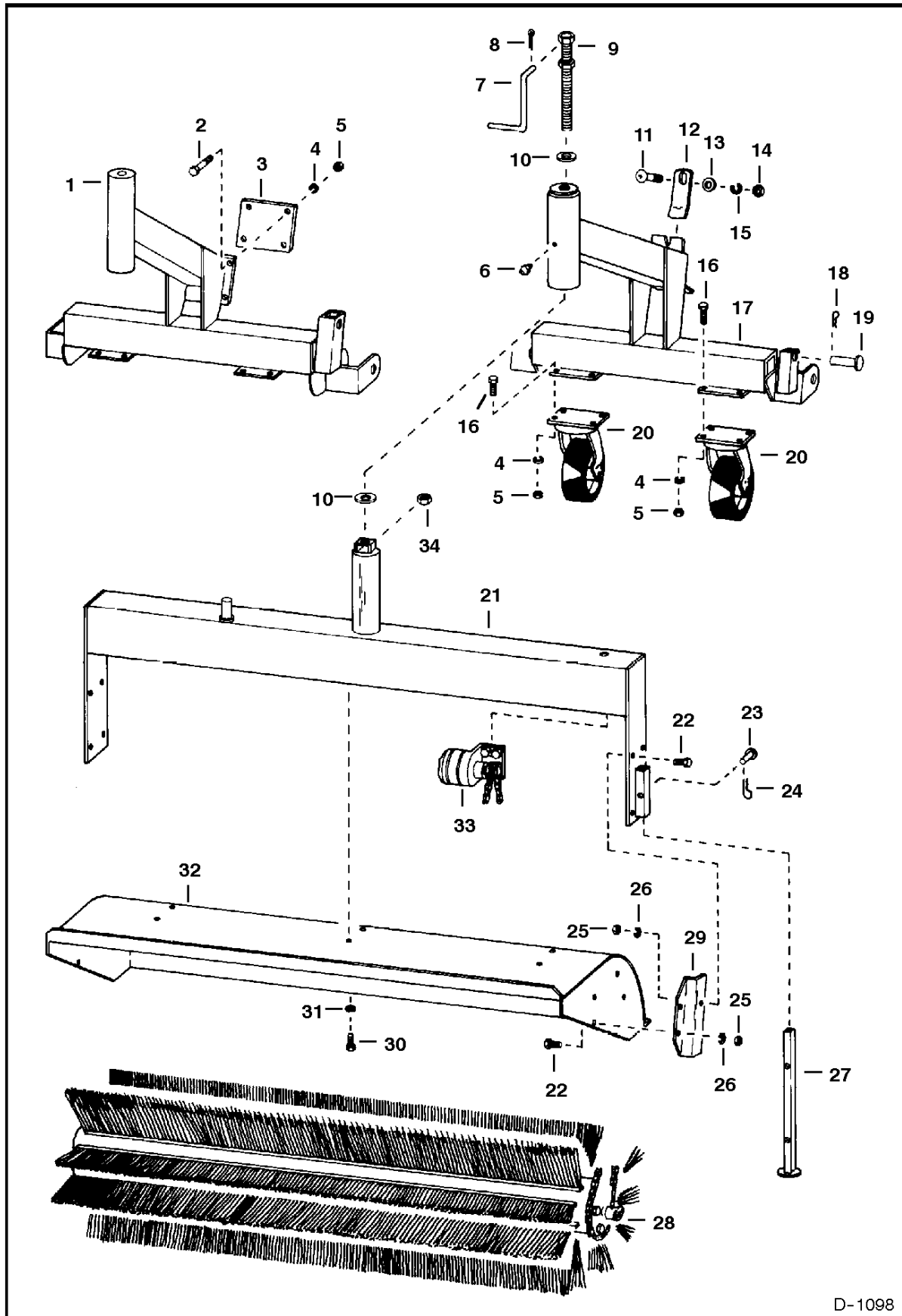
[B] = Use Up on Other Applications (See PNI)

[C] = File PDR Report With Bobcat Parts Sales

[D] = Part Number Error

Explications en francais	Grid Nb	3
Erklärungen auf deutsch	Grid Nb	4
Spiegazioni in italiano	Grid Nb	5
Explicaciones en espanol	Grid Nb	6
Verklaring in het Nederlands	Grid Nb	7

ANGLE BROOM

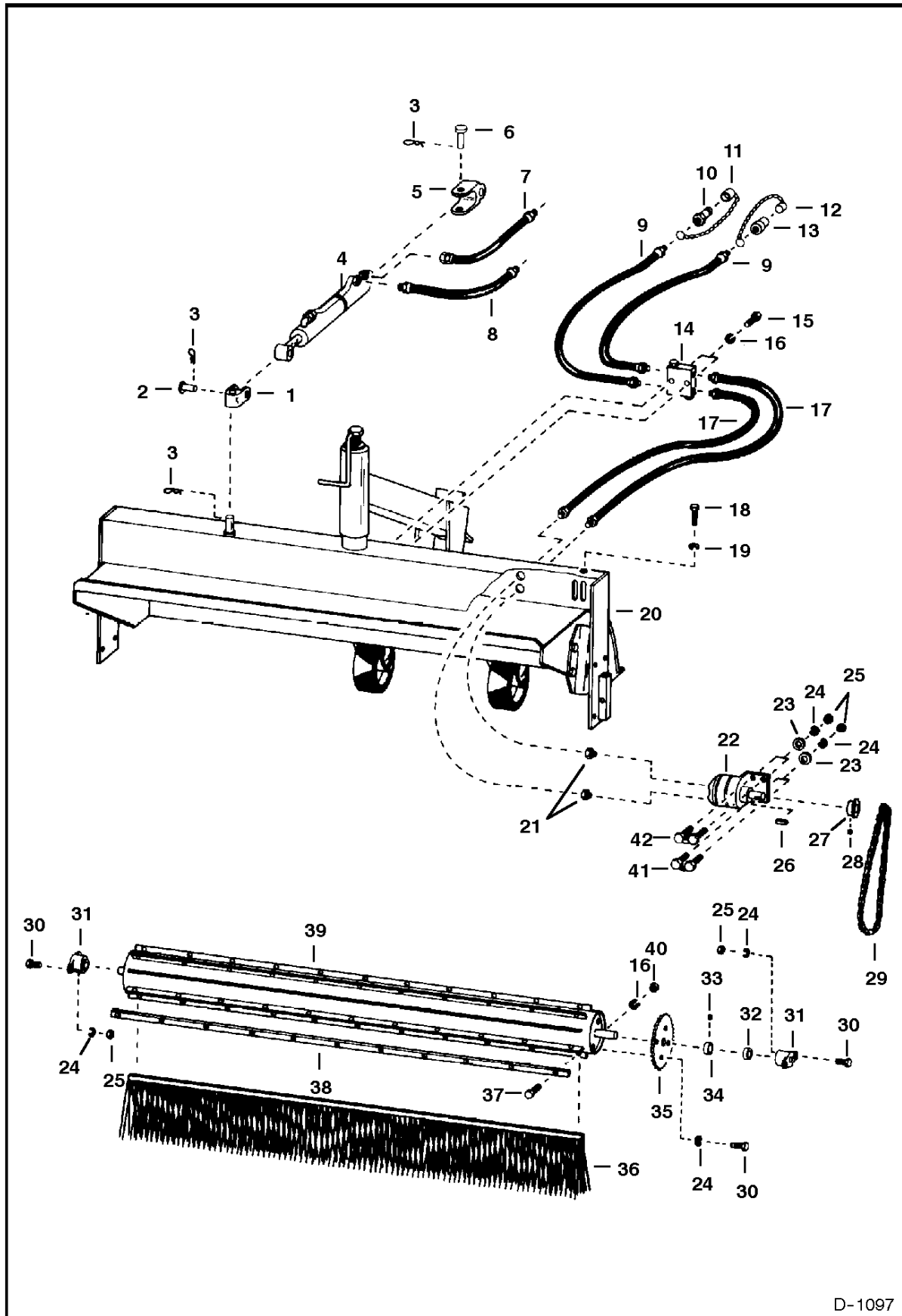


D-1098

ANGLE BROOM

Ref.N°	Part N°	Description	Remarks	Serial N°	Qty.
1	6508624	FRAME		A-1014 & Below	1
2	17C-888	BOLT			4
3	6508561	PLATE			1
4	4E-8	WASHER			12
5	61D-8	NUT			12
6	10H-35	GREASE ZERK			1
7	6508461	CRANK			1
8	1F-620	COTTER PIN			1
9	6508339	SCREW			1
10	25E-31	WASHER			2
11	7C-1088	BOLT			1
12	6508493	PLATE			1
13	25E-25	WASHER			1
14	61D-10	NUT			1
15	4E-10	WASHER			1
16	17C-824	BOLT			8
17	6508340	FRAME		A-1015 & Above	1
18	1320075	COTTER PIN			2
19	6520729	PIN			2
20	6518129	WHEEL	caster - See Page CASTER WHEEL(1)		2
21	NAP	FRAME		A-1014 & Below	1
21	6508341	FRAME		A-1015 & Above	1
22	17C-412	BOLT			8
23	1303767	HINGE PIN			8
24	1320074	COTTER PIN			2
25	61D-4	NUT			8
26	4E-4	WASHER			8
27	6508330	LEG	parking stand		2
28		CORE	W/Brush Assy. - See Page ANGLE BROOM(35)		1
29	6508627	GUARD	chain - Front	A-1014 & Below	1
29	6508628	GUARD	chain - Rear	A-1014 & Below	1
29	6508484	GUARD	chain	A-1015 & Above	1
30	6514511	SCREW			6
31	4E-6	WASHER			6
32	6508631	HOOD		A-1014 & Below	1
32	6508342	HOOD		A-1015 & Above	1
33	6515465	MOTOR	hydraulic - See Page HYDRAULIC MOTOR(1)		1
34	61D-16	NUT			1

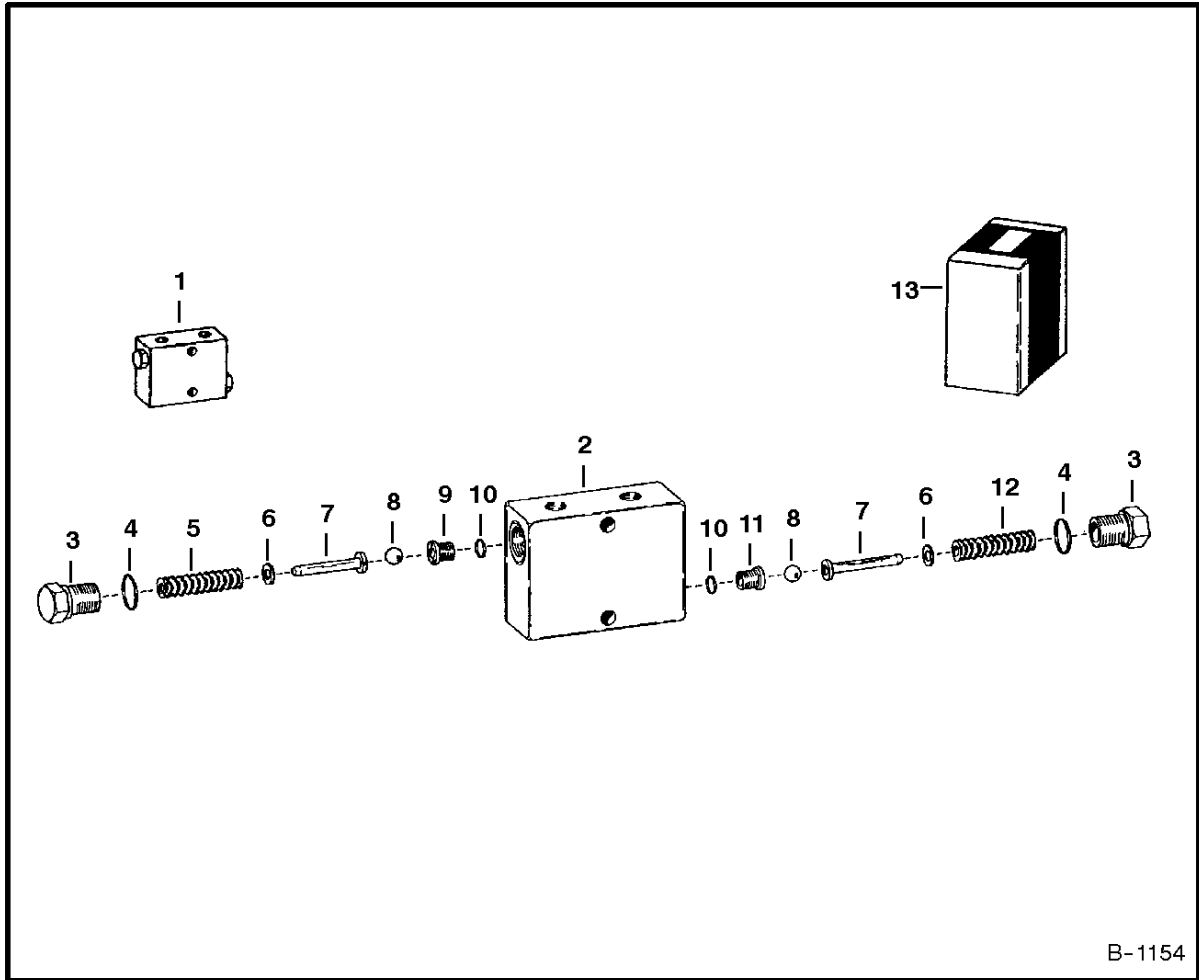
ANGLE BROOM



D-1097

ANGLE BROOM

Ref.N°	Part N°	Description	Remarks	Serial N°	Qty.
1	6508334	BRACKET			1
2	6520730	PIN			1
3	1320075	COTTER PIN			2
4		CYLINDER	See Page HYDRAULIC STABILIZER(1) - HYDRAULIC CYLINDER(1)		1
5	6508333	BRACKET			1
6	6520729	PIN			2
7	6508336	HOSE			1
8	6508337	HOSE			1
9	6508527	HOSE	hydraulic	A-1014 & Below	2
9	6508345	HOSE		A-1015 & Above	2
10	6598755	QUICK COUPLER	male half		1
11	6515168	CAP	W/Chain		1
12	6515167	PLUG	W/Chain		1
13	6598756	QUICK COUPLER	female half		1
13	25K-40026	O-RING			1
14	6520575	VALVE	cushion - See Page HYDRAULIC CUSHION VALVE(1)		1
15	17C-536	BOLT			2
16	4E-5	WASHER			90
17	550873	HOSE			2
18	17C-832	BOLT			1
19	4E-8	WASHER			1
20		MAIN FRAME	See Page ANGLE BROOM(1)		1
21	19F-9	BUSHING			2
22	6515465	MOTOR	hydraulic - See Page HYDRAULIC MOTOR(1)		1
23	25E-19	WASHER			4
24	4E-7	WASHER			12
25	61D-7	NUT			8
26	7J-2104	KEY	square		1
27	6520616	SPROCKET			1
28	15G-406	SET SCREW			2
29	6508335	CHAIN	No. 40 - 94 pitches - W/Connector Link		1
29	6564943	LINK	connector		1
30	17C-724	BOLT			8
31	6531100	BEARING ASSY	W/Ref. ANGLE BROOM(32) - ANGLE BROOM(34) - Was 6518258 [A]		2
32	6518259	BEARING			1
33	16G-404	SET SCREW			1
34	6515095	COLLAR	locking - W/Ref. ANGLE BROOM(33)		1
35	6508602	SPROCKET			1
36	6508338	BRISTLE	polypropylene		8
36	6508596	BRISTLE	wire		8
37	17C-520	BOLT			88
38	6508460	STRAP	brush retainer		8
39	6508332	CORE	brush		1
40	61D-5	NUT			88
41	6508344	BRACKET			1
42	6508331	BRACKET			1



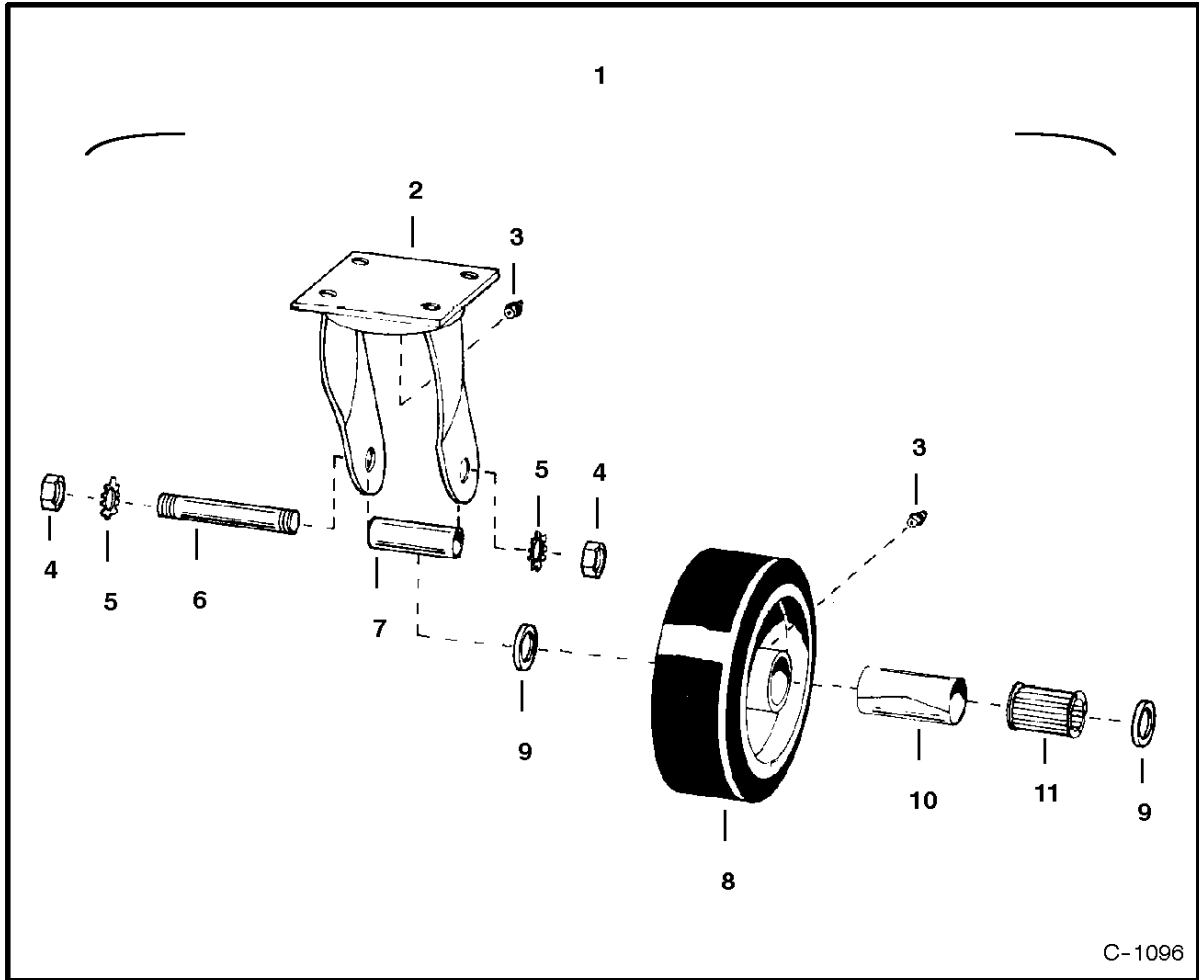
B-1154

HYDRAULIC CUSHION VALVE

Ref. Part	No. Number	Description	Remarks	Serial Number	Qty.
------------------	-------------------	--------------------	----------------	----------------------	-------------

HYDRAULIC CUSHION VALVE

Ref.N°	Part N°	Description	Remarks	Serial N°	Qty.
1	6520575	VALVE			1
2	NSS	HOUSING			1
3	NSS	CAP	spring		2
4	NSS	O-RING			2
5	NSS	SPRING			1
6	NSS	SHIM KIT			x
7	NSS	GUIDE			2
8	NSS	BALL	steel		2
9	NSS	SEAT			1
10	NSS	O-RING			2
11	NSS	SEAT			1
12	NSS	SPRING			1
13	6508350	REPAIR KIT	return side - Ref. HYDRAULIC CUSHION VALVE(3), HYDRAULIC CUSHION VALVE(4), HYDRAULIC CUSHION VALVE(6) - HYDRAULIC CUSHION VALVE(1



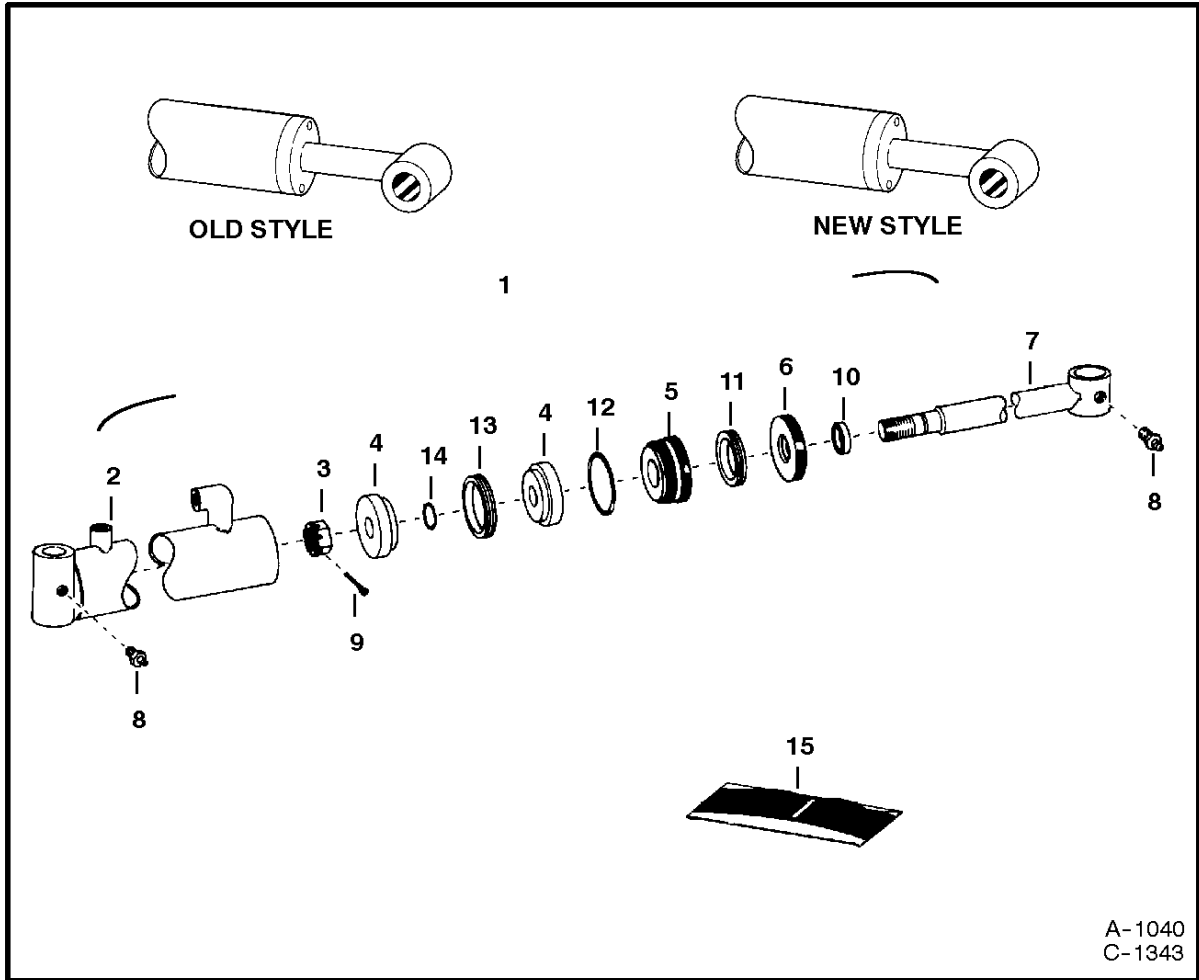
C-1096

CASTER WHEEL

Ref. Part No. Number	Description	Remarks	Serial Number	Qty.
-------------------------	-------------	---------	---------------	------

CASTER WHEEL

Ref.N°	Part N°	Description	Remarks	Serial N°	Qty.
1	6518129	WHEEL	Ref. CASTER WHEEL(2) - CASTER WHEEL(11)		4
2	6508323	FORK	W/Ref. CASTER WHEEL(3) - CASTER WHEEL(7)		1
3	6518200	GREASE ZERK			2
4	8D-12	NUT			2
5	5E-12	WASHER			3
6	6508324	AXLE			1
7	6508325	BUSHING			1
8	6508326	WHEEL			1
9	NSS	RETAINER	bearing		2
10	NSS	BUSHING	expansion		1
11	6518257	BEARING	W/Ref. CASTER WHEEL(9) & CASTER WHEEL(10)		1



**HYDRAULIC STABILIZER
(Old Style - Stabilizer)**

Ref. Part No. Number	Description	Remarks	Serial Number	Qty.
-------------------------	-------------	---------	---------------	------

Thank you so much for reading.
Please click the “Buy Now!”
button below to download the
complete manual.



After you pay.

You can download the most
perfect and complete manual in
the world immediately.

Our support email:

ebooklibonline@outlook.com