

CHIPPER
CONCRETE MIXER
CONCRETE PUMP
SNOW BLOWERS
SNOW BLADE
DOZER BLADE
UTILITY BLADE
ANGLE DOZER
MINI & SUPER
SCRAPER
ATTACHMENT
CONTROL KITS
DEMO KITS

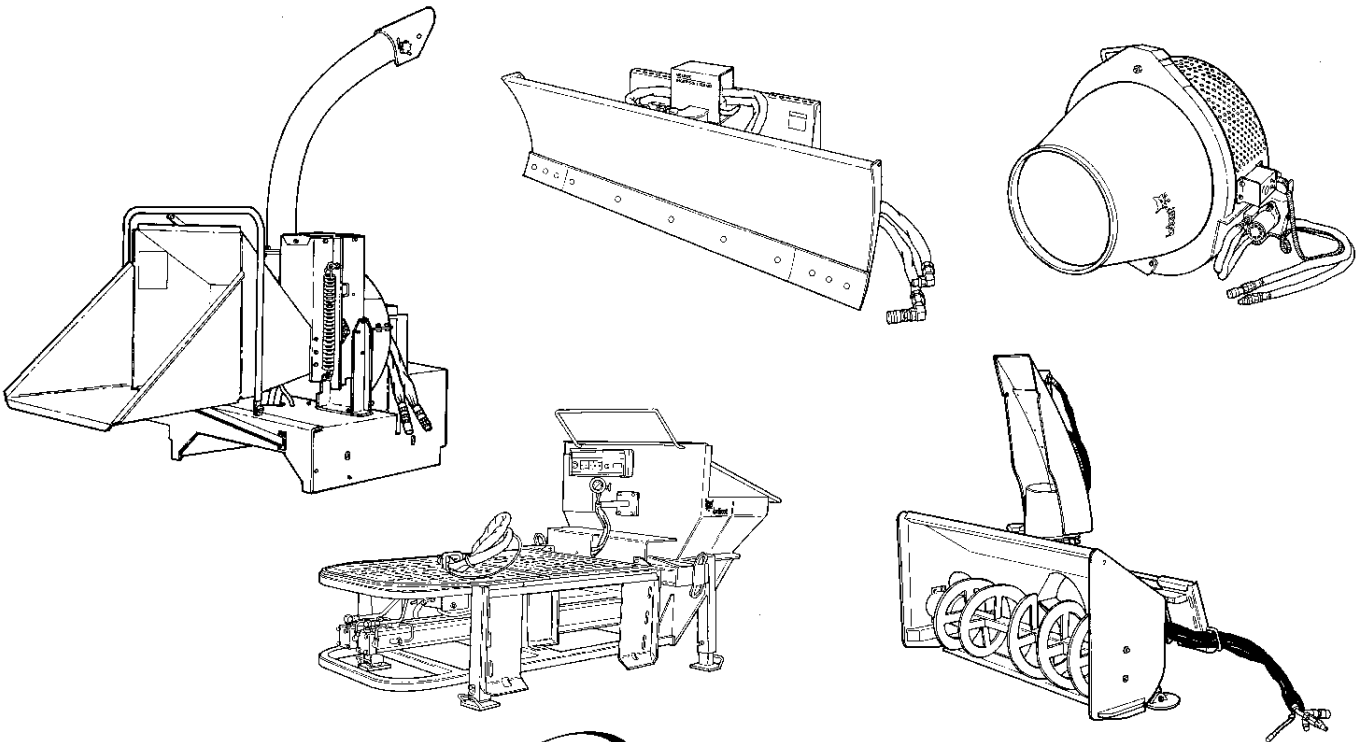


Bobcat®

VOLUME 7

Attachments

Parts Manual



VOLUME INDEX

<p style="text-align: center;">VOLUME 1 Contains</p>	<p style="text-align: center;">VOLUME 7 Contains</p> <p>CHIPPER, CONCRETE MIXER & PUMP SNOW BLOWERS, SNOW & DOZER BLADE UTILITY BLADE, SCRAPER, ATTACHMENT CONTROL KITS, DEMO KITS (P/N 6901469)</p>
<p style="text-align: center;">VOLUME 2 Contains</p> <p>AUGERS BREAKERS CUTTER CRUSHER (P/N 6901459)</p>	<p style="text-align: center;">VOLUME 8 Contains</p>
<p style="text-align: center;">VOLUME 3 Contains</p> <p>ANGLE BROOMS, SWEEPERS GUTTER BRUSH, WHISKER BROOM GRADERS, WATER KITS (P/N 6901461)</p>	<p style="text-align: center;">VOLUME 9 Contains</p>
<p style="text-align: center;">VOLUME 4 Contains</p> <p>PLANERS WHEEL SAWS (P/N 6901463)</p>	<p style="text-align: center;">VOLUME 10 Contains</p> <p>VERSAHANDLER ATTACHMENTS: AUGER, BROOM, BUCKETS, GRAPPLES, PALLET FORKS & BOOM TRUSS (P/N 6901407)</p>
<p style="text-align: center;">VOLUME 5 Contains</p> <p>BUCKETS, COMBO BUCKETS, BUCKET BITE & RAKE, DIGGERS, DUMPING HOPPER, EJECTOR BUCKET, GRAPPLES UTILITY FORKS, PALLET FORKS, TILT- TATCH, UTILITY FRAMES, WEIGHLOG (P/N 6901465)</p>	
<p style="text-align: center;">VOLUME 6 Contains</p> <p>TRENCHERS TRENCH COMPACTORS VIBRATORY ROLLER (P/N 6901467)</p>	

VOLUME 7 CONTENTS

CHIPPER 5A	10-29
CHIPPER (5A STANDARD FLOW)	10-17
CHIPPER (CHUTE ASSY)	18-19
CHIPPER (CONTROL BOX ASSY)	20-21
CHIPPER (VALVE ASSY)	22-23
CHIPPER (FEED ROLLER ASSY)	24-25
CHIPPER (CUTTER MOTOR)	26-27
REMOTE ATTACHMENT CONTROL KIT	28-29
CHIPPER 8A	30-53
CHIPPER (8A HIGH FLOW)	30-37
CHIPPER (CHUTE ASSY)	38-39
CHIPPER (CONTROL BOX ASSY)	40-43
CHIPPER (VALVE ASSY)	44-45
CHIPPER (FEED MOTOR)	46-49
CHIPPER (CUTTER MOTOR)	50-51
REMOTE ATTACHMENT CONTROL KIT	52-53
CONCRETE MIXER	54-65
CONCRETE MIXER	54-57
CONCRETE MIXER (HYDRAULIC MOTOR)	58-59
CONSOLE - REMOTE ATTACHMENT CONTROL (SINGLE HARNESS)	60-61
CONSOLE - REMOTE ATTACHMENT CONTROL (DUAL HARNESS)	62-63
REMOTE ATTACHMENT CONTROL KIT (CONCRETE MIXER)	64-65
CONCRETE PUMP	66-95
MAIN FRAME	66-67
HOPPER & ATTACHING PARTS	68-69
GENERAL DIAGRAM, WASHBOX & PISTONS	70-71
HOPPER OUTLET & SWING VALVE	72-73
SWING VALVE SHAFT & SEALS	74-75
CRANK ARM ASSY	76-77
HYDRAULIC & ELECTRICAL SYSTEM	78-79
CONTROL VALVE	80-81
PUMP CYLINDER	82-83
SWING VALVE CYLINDER	84-85
REMOTE ATTACHMENT CONTROL BOX	86-87
WASHBOX LIMIT SWITCHES	88-89
SWING VALVE LIMIT SWITCHES	90-91
CONCRETE PUMP ACCESSORIES	92-95
SNOW BLOWERS	97-127
ATTACHMENT CONTROL KIT	97
DECALS (SNOW BLOWER - MODEL 1812)	98-99
MAIN FRAME (SNOW BLOWER - MODEL 1812)	100-103
FAN & AUGER GROUP (SNOW BLOWER - MODEL 1812)	104-105
GEARBOX	106-107
HYDRAULIC CIRCUITRY (SNOW BLOWER - MODEL 1812)	108-109
ELECTRICAL CIRCUITRY (SNOW BLOWER - MODEL 1812)	110-111
WIRING HARNESS	112
OPTIONAL FUNCTIONAL CONTROL SYSTEM	113
DECALS (SNOW BLOWER - MODEL 2118 & 2418)	114-115
MAIN FRAME (SNOW BLOWER - MODEL 2118 & 2418)	116-119
FAN & AUGER GROUPE (SNOW BLOWER - MODEL 2118 & 2418)	120-121
HYDRAULIC CIRCUITRY (SNOW BLOWER - MODEL 2118 & 2418)	122-125
ELECTRICAL CIRCUITRY (SNOW BLOWER - MODEL 2118 & 2418)	126-127
SNOW BLADE	128-139
SNOW BLADE	128-133
END WINGS	134
CYLINDER	135
ATTACHMENTS PLUS KIT	136-139
DOZER	140-151
DOZER	140-145
TILT CYLINDER	146
ANGLE CYLINDER	147
HYDRAULICS	148-151

VOLUME 7 CONTENTS (CONT'D)

UTILITY BLADE	152-154
48" UTILITY BLADE	152-153
CYLINDER	154
ANGLE DOZER	156-157
ANGLE DOZER	156-157
SCRAPER	158-161
MINI SCRAPER	158-159
SUPER SCRAPER	160-161
WIRING KITS	162-175
WIRING KIT	162-167
ATTACHMENT RENTAL/DEMO KIT	168-169
ELECTRICAL CONNECTOR KIT	170
ELECTRICAL CONTROLS KIT	171
DUAL ATTACHMENT CONTROLS KIT	172-175
NUMERICAL INDEX	176-204
NUMERICAL INDEX	176-204

GENERAL INFORMATION

When using the machine serial number, use the complete number.

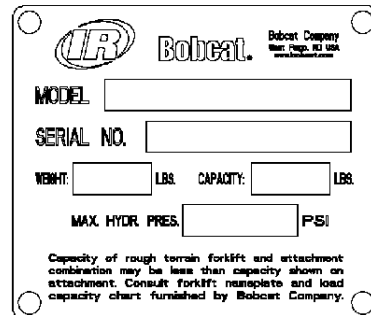
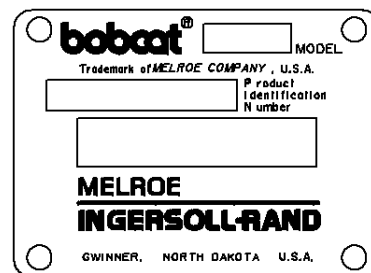
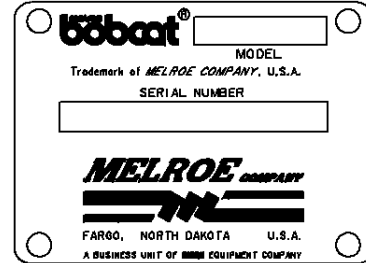
Some Serial Number breaks are not available at time of printing. These are listed as & Below or & Above.

The number shown in the quantity column in this manual is the number of parts needed for the illustration on the page. For some parts an "x" will be shown in the quantity column. This "x" indicates that the quantity to be used is "As Needed".

When references L.H. and R.H. are used in this manual, it is done from the operator's seat in the forward operating position.

To find the size and kind of bolt use the Bobcat Standard Microfiche (P/N 6566077).

Some of the illustrations and information found in this parts manual were supplied to Bobcat Company by machine component companies.



ABBREVIATIONS & SYMBOLS

SALES = Order from Gwinner Sales Department

NSS = Not Serviced Separately

NAP = Not Available as Parts

***** = Changed or Added Sections, Pages or Part Numbers

Disposition Code Definition (Found in the Remarks Column)

[A] = Use Up

[B] = Use Up on Other Applications (See PNI)

[C] = File PDR Report With Bobcat Parts Sales

[D] = Part Number Error

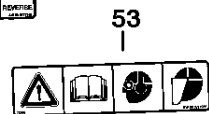
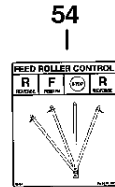
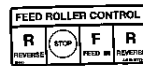
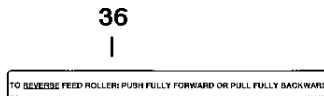
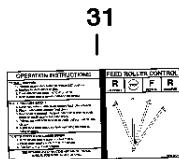
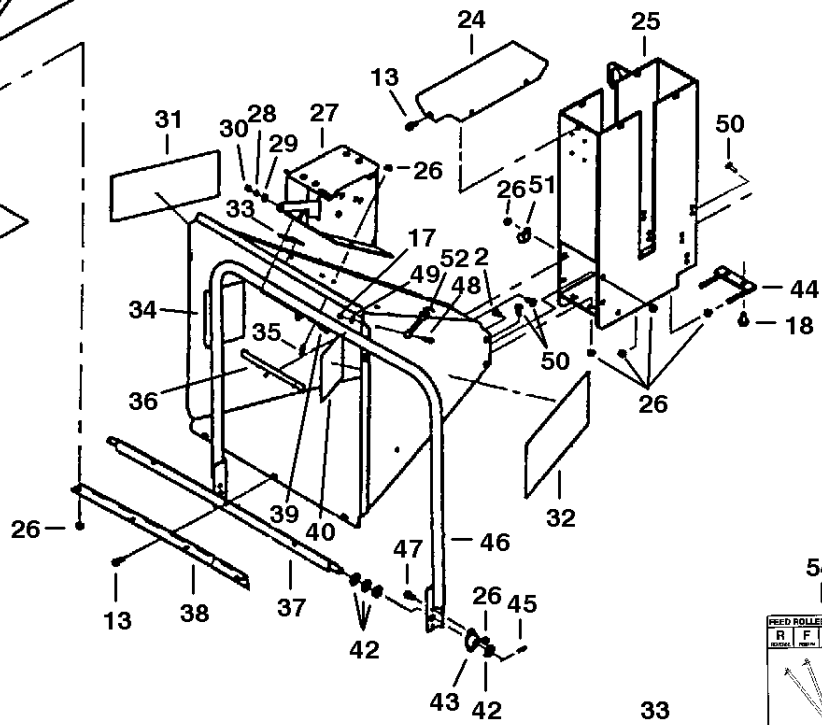
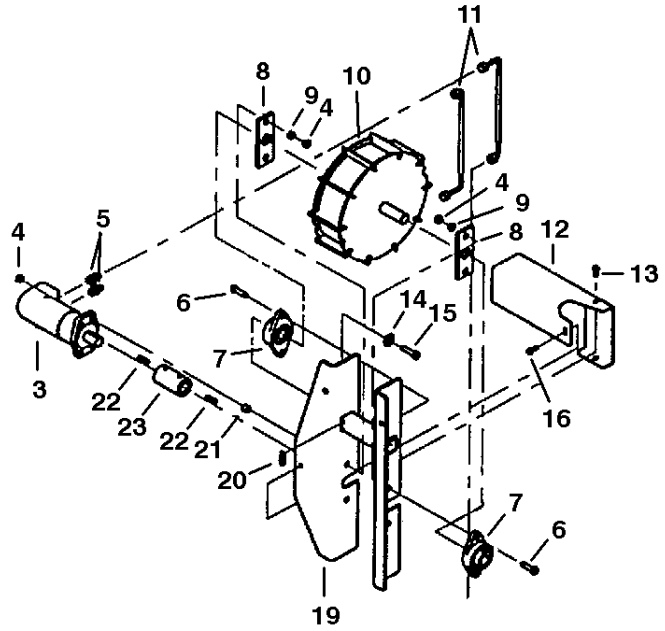
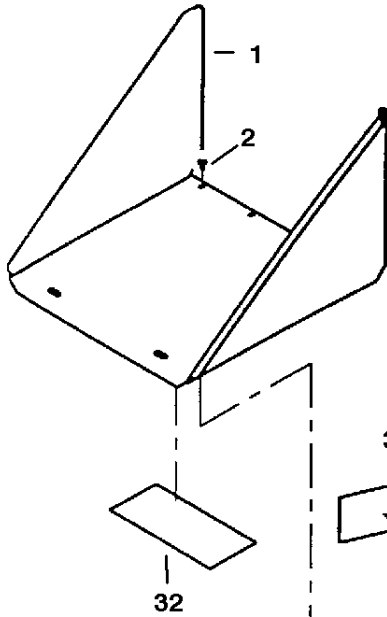
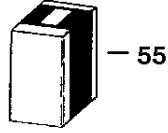
Explications en francais	Grid Nb	3
Erklärungen auf deutsch	Grid Nb	4
Spiegazioni in italiano	Grid Nb	5
Explicaciones en espanol	Grid Nb	6
Verklaring in het Nederlands	Grid Nb	7

CHIPPER (5A Standard Flow)

NOTE: AR = Spanish (Argentina)
BR = Portugese (Brazil)
JP = Japanese

Translation Kit includes Safety Manual,
Operators Manual and Decal Kit.

CHIPPER S/N BEGINS WITH 9129 (FIRST 4 DIGITS)



B-15611

CHIPPER

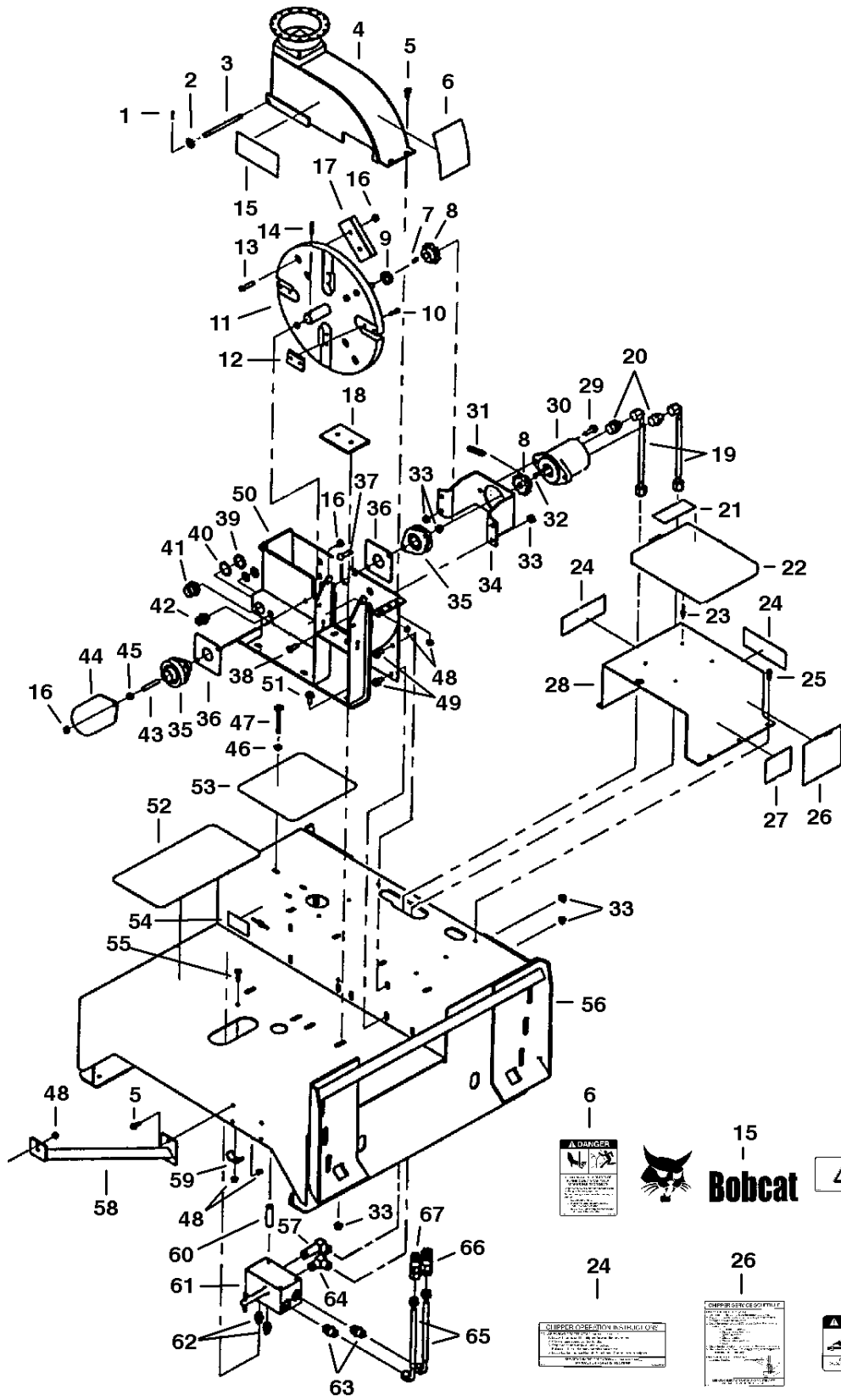
Ref.N°	Part N°	Description	Remarks	Serial N°	Qty.
1	6675447	TRAY			1
2	6674532	BOLT			7
3	6675267	MOTOR	feed roller - See Page CHIPPER(1)		1
4	85D-8	NUT			20
5	6674504	ADAPTER			2
6	17C-828	BOLT			4
7	6674525	BEARING			2
8	6675457	BEARING			2
9	6675458	SPACER			4
10	6675443	ROLLER			1
11	6674491	HOSE			2
12	6675456	COVER			1
13	6674510	BOLT			14
14	25E-21	WASHER			6
15	17C-832	BOLT			12
16	84G-3716	BOLT			7
17	59D-4	NUT			2
18	6675425	BOLT			7
19	6675442	FRAME			1
20	6675433	WEAR PAD			4
21	6674461	SPACER			4
22	7J-4200	KEY			2
23	6674526	COUPLER			1
24	6675444	COVER			1
25	6675459	FRAME			1
26	6674506	NUT			x
27	6674460	CONSOLE ASSY	See Page CHIPPER(1)		1
28	6674530	SPACER			1
29	25E-15	WASHER			3
30	59D-5	NUT			1
31	6717964	DECAL	operation/feed		1
32	6729098	DECAL	Was 6703645 [A]		2
33	6717966	DECAL	feed control		1
34	6717410	DECAL	Danger Inlet		1
35	6675429	BOLT			6
36	6717670	DECAL	Roller Instruction		1
37	6675445	PIVOT			1
38	6675440	HINGE			1
39	17C-516	BOLT			1
40	6717413	DECAL	Warning		1
41	6675438	CHUTE			1
42	25E-25	WASHER			8
43	6674528	FLANGE			2
44	6675437	BRACKET			1
45	1F-416	COTTER PIN			4
46	6675446	ARM			1
47	6675429	BOLT			6
48	6674507	BOLT			2
49	25E-14	WASHER			2
50	10C-616	BOLT	carriage		9
51	6674529	CLAMP			1
52	6674505	STRAP			2
53	6717965	DECAL	warning		1
54	6717967	DECAL	feed position		1
55	6719136AR	KIT	translation - SEE NOTE		1

CHIPPER

Ref.N°	Part N°	Description	Remarks	Serial N°	Qty.
55	6719136BR	KIT	translation - SEE NOTE		1
55	6719137AR	KIT	decal - SEE NOTE		1
55	6719137BR	KIT	decal - SEE NOTE		1
55	6719137JP	KIT	decal - SEE NOTE		1

CHIPPER (5A Standard Flow)

CHIPPER S/N BEGINS WITH 9129 (FIRST 4 DIGITS)



B-15612

CHIPPER

Ref.N°	Part N°	Description	Remarks	Serial N°	Qty.
1	1F-416	COTTER PIN			4
2	25E-21	WASHER			6
3	6675448	SHAFT			1
4	6675441	HOUSING			1
5	6674510	BOLT			14
6	6717411	DECAL	Warning, Knife		1
7	7J-2100	KEY			1
8	6675421	SPROCKET			2
9	6675439	SPACER			1
10	17C-520	BOLT			8
11	6675452	ROTOR			1
12	6675434	BLADE			4
13	17C-832	BOLT			12
14	6675423	PIN			1
15	6729098	DECAL	Was 6703645 [A]		1
16	85D-8	NUT			20
17	6675435	PADDLE			4
18	6675436	PLATE	anvil		1
19	6674494	HOSE			2
20	6674500	ADAPTER			2
21	6717648	DECAL			1
22	6675615	CONTAINER	Was 6708827 [A]		1
23	6674512	RIVET			4
24	6717647	DECAL	Chipper Operation		2
25	84G-3716	BOLT			7
26	6717409	DECAL	Service		1
27	6715361	DECAL	Danger, Rotating Shaft		1
28	6675453	COVER			1
29	6675427	BOLT			2
30	6675473	MOTOR ASSY	See Page CHIPPER(1)		1
31	6675422	CHAIN			1
32	6675455	KEY			1
33	6675428	NUT			16
34	6675451	MOUNT			1
35	6675418	BEARING			2
36	6675450	BRACKET			2
37	6674509	BOLT	carriage		2
38	6675424	BOLT			4
39	6664036	NUT			1
40	6664037	WASHER			1
41	6673680	RECEPTICAL	for 14-pin		1
42	6675420	CAP PLUG	for 7-pin		1
43	6674511	STUD			2
44	6674515	CAP			1
45	61D-8	NUT			2
46	25E-17	WASHER			3
47	17C-664	BOLT			3
48	6674506	NUT			34
49	6675425	BOLT			7
50	6675449	HOUSING			1
51	6675426	BOLT			3
52	6674501	SAFETY TREAD			1
53	6674502	SAFETY TREAD			1
54	6717407	DECAL	Feed Speed		1
55	10C-624	BOLT	carriage		1

CHIPPER

Ref.N°	Part N°	Description	Remarks	Serial N°	Qty.
56	6674487	HOUSING			1
57	6675419	ELBOW			1
58	6675454	BRACKET			1
59	6674531	BRACKET			1
60	6674489	SPACER			3
61	6675110	VALVE BLOCK	See Page CHIPPER(1)		1
62	6674503	ADAPTER			2
63	6674527	ADAPTER			2
64	6675430	ELBOW			1
65	6674492	HOSE			2
66	6672960	COUPLER	female		1
67	6674688	COUPLER	male - Was 6667808 [A]		1

Buy Now



Our support email:

ebooklibonline@outlook.com