



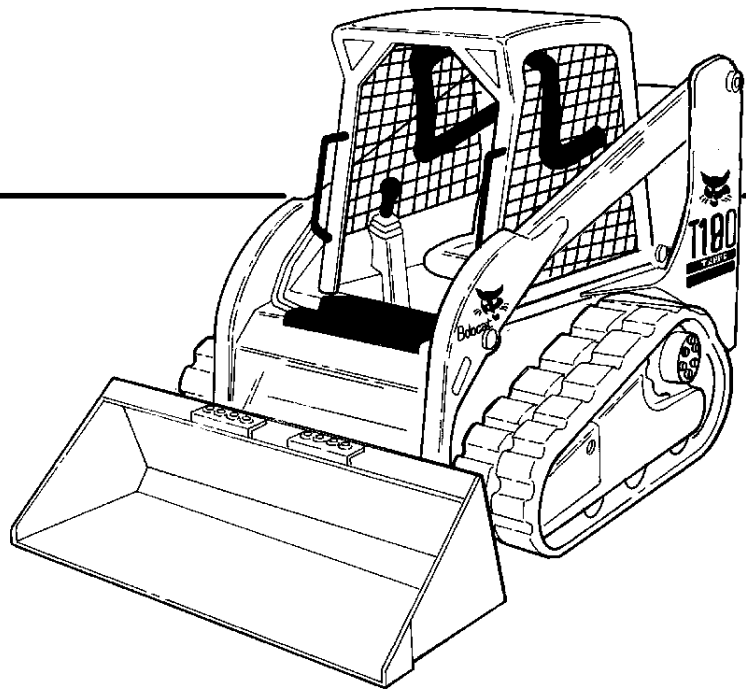
Bobcat®

Parts Manual

S/N 5242 11001 & Above

S/N 5275 11001 & Above

S/N 5276 11001 & Above



EQUIPPED WITH
BOBCAT INTERLOCK
CONTROL SYSTEM (BICS™)

6902471 (11-03) Revised (3-04)



Printed in U.S.A.

B-22753

© Bobcat Company 2004

T180 CONTENTS

MAIN FRAME	11-42
MAINTENANCE ITEMS	11-12
MAINTENANCE SCHEDULE ITEMS	12-20
MAIN FRAME	21-22
OPERATOR CAB	23-26
SEAT & SEAT BAR	27-28
SEAT	29-30
PANELS	31-32
REAR DOOR	33-34
LIFT ARMS & BOBTACH	35-36
BOB-TACH	37-38
FUEL SYSTEM	39-42
DRIVE TRAIN	43-52
DRIVE TRAIN	43-44
TRACK TENSIONER	45-46
FRONT IDLER	47-48
REAR IDLER	49-50
TRACK ROLLER	51-52
HYDRAULIC SYSTEM	53-98
HYDRAULIC CIRCUITRY	53-66
MANUAL LIFT RELEASE SYSTEM	67-70
AUXILIARY HYDRAULICS	71-72
TILT CYLINDER	73-74
LIFT CYLINDER	75-76
CONTROL PEDALS	77-78
HYDRAULIC CONTROL VALVE	79-94
BICS CONTROL VALVE	95-96
MANUAL LIFT RELEASE VALVE	97-98
HIGH FLOW HYDRAULICS	99-104
HIGH FLOW HYDRAULICS	99-104
HYDROSTATIC SYSTEM	105-144
HYDROSTATIC CIRCUITRY	105-118
HAND CONTROLS	119-122
HYDROSTATIC MOTOR	123-130
HYDROSTATIC PUMP	131-138
GEAR PUMP	139-140
HYDROSTATIC OIL FILTER & INLINE FILTER	141-144
ELECTRICAL SYSTEM	145-166
CAB ELECTRICAL CIRCUITRY	145-146
ENGINE ELECTRICAL CIRCUITRY	147-150
CONTROLS ELECTRICAL	151-162
ALTERNATOR	163-164
STARTER	165-166
POWER UNIT	167-280
COOLING SYSTEM	167-170
ENGINE & ATTACHING PARTS	171-178
THROTTLE	179-180
COOLING FAN DRIVE ASSY.	181-182
ENGINE & GASKET KITS (KUBOTA - V2003TMDI)	183-184
GEARCASE (KUBOTA - V2003TMDI)	185-186
OIL COOLER (KUBOTA - V2003TMDI)	187-188
CRANKCASE (KUBOTA - V2003TMDI)	189-190
ROCKER ARM COVER (KUBOTA - V2003TMDI)	191-192
VALVE ROCKER ARM (KUBOTA - V2003TMDI)	193-194

T180 CONTENTS (Cont'd)

POWER UNIT (CONT'D)	167-280
CYLINDER HEAD (KUBOTA - V2003TMDI)	195-196
OIL PAN (KUBOTA - V2003TMDI)	197-198
PISTON & CRANKSHAFT (KUBOTA - V2003TMDI)	199-200
FUEL CAMSHAFT (KUBOTA - V2003TMDI)	201-202
CAMSHAFT (KUBOTA - V2003TMDI)	203-204
WATER PUMP (KUBOTA - V2003TMDI)	205-206
WATER FLANGE & THERMOSTAT (KUBOTA - V2003TMDI)	207-208
MANIFOLDS (KUBOTA - V2003TMDI)	209-210
TURBO CHARGER (KUBOTA - V2003TMDI)	211-212
OIL PIPE (KUBOTA - V2003TMDI)	213-214
ENGINE STOP LEVER (KUBOTA - V2003TMDI)	215-216
GOVERNOR (KUBOTA - V2003TMDI)	217-218
SPEED CONTROL PLATE (KUBOTA - V2003TMDI)	219-220
BOOST COMPENSATOR (KUBOTA - V2003TMDI)	221-222
INJECTION PUMP (KUBOTA - V2003TMDI)	223-226
INJECTOR NOZZLES (KUBOTA - V2003TMDI)	227-228
INJECTOR HOLDER (KUBOTA - V2003TMDI)	229-230
ENGINE & GASKET KITS (KUBOTA - V2403TMDI)	231-232
GEARCASE (KUBOTA - V2403TMDI)	233-234
OIL COOLER (KUBOTA - V2403TMDI)	235-236
CRANKCASE (KUBOTA - V2403TMDI)	237-238
ROCKER ARM COVER (KUBOTA - V2403TMDI)	239-240
VALVE ROCKER ARM (KUBOTA - V2403TMDI)	241-242
CYLINDER HEAD (KUBOTA - V2403TMDI)	243-244
OIL PAN (KUBOTA - V2403TMDI)	245-246
PISTON & CRANKSHAFT (KUBOTA - V2403TMDI)	247-248
FUEL CAMSHAFT (KUBOTA - V2403TMDI)	249-250
CAMSHAFT (KUBOTA - V2403TMDI)	251-252
WATER PUMP (KUBOTA - V2403TMDI)	253-254
WATER FLANGE & THERMOSTAT (KUBOTA - V2403TMDI)	255-256
MANIFOLDS (KUBOTA - V2403TMDI)	257-258
TURBO CHARGER (KUBOTA - V2403TMDI)	259-260
OIL PIPE (KUBOTA - V2403TMDI)	261-262
ENGINE STOP LEVER (KUBOTA - V2403TMDI)	263-264
GOVERNOR (KUBOTA - V2403TMDI)	265-266
SPEED CONTROL PLATE (KUBOTA - V2403TMDI)	267-268
BOOST COMPENSATOR (KUBOTA - V2403TMDI)	269-270
INJECTION PUMP (KUBOTA - V24003TMDI)	271-274
INJECTOR NOZZLES (KUBOTA - V2403TMDI)	275-276
INJECTOR HOLDER (KUBOTA - V2403TMDI)	277-278
AIR CLEANER	279-280
ACCESSORIES & OPTIONS	284-433
ACS CONVERSION KIT	284-285
ACCESS COVER	286-287
ACCESSORIES HARNESS	288-289
BACK-UP ALARM	290-291
BEACON	292-293
BLOCK HEATER	294-295
BOB-TACH LEVERS	296-297
BUCKET POSITIONING VALVE KIT	298-301
BUCKET POSITIONING VALVE	302-303
CAB DOOR	304-313
CAB ENCLOSURE	314-317
CAB WINDOWS	318-321

T180 CONTENTS (Cont'd)

ACCESSORIES & OPTIONS (Cont'd)	284-433
COUNTERWEIGHT KIT	322-325
DECALS	326-329
DELUXE CAB	330-331
DUAL BATTERY KIT	332-333
DUAL DAMPENER KIT	334-335
ELECTRICAL CONTROLS KIT	336-341
ENGINE MOUNT KIT	342-343
EUROPEAN ACCESSORIES	344-349
FIRE EXTINGUISHER	350-351
F.O.P.S. KIT	352-353
FLASHER LIGHTS	354-355
FRONT AUXILIARY	356-357
GAS SPRING KIT	358-359
HAND CONTROL KIT	360-363
HEATER & A/C	364-387
HORN KIT	388-389
LIFT LIT	390-395
LIGHT KIT	396-397
MUFFLER/PURIFIER KIT	398-399
POWER BOB-TACH KIT	400-403
POWER BOB-TACH	404-407
RADIATOR SCREEN KIT	408-409
REAR AUXILIARY	410-413
REAR AUXILIARY VALVE	414-415
REAR DOOR LOCK	416-417
REAR WIPER	418-419
SEAT	420-423
SEAT BELT	424-427
SOUND REDUCTION HARDHAT	428-429
STROBE LIGHT	430-431
BULK ITEMS	432-433
NUMERICAL INDEX	434-481
NUMERICAL INDEX	434-481

T180 CONTENTS

MAIN FRAME	11-42
MAINTENANCE ITEMS	11-12
MAINTENANCE SCHEDULE ITEMS	12-20
MAIN FRAME	21-22
OPERATOR CAB	23-26
SEAT & SEAT BAR	27-28
SEAT	29-30
PANELS	31-32
REAR DOOR	33-34
LIFT ARMS & BOBTACH	35-36
BOB-TACH	37-38
FUEL SYSTEM	39-42
DRIVE TRAIN	43-52
DRIVE TRAIN	43-44
TRACK TENSIONER	45-46
FRONT IDLER	47-48
REAR IDLER	49-50
TRACK ROLLER	51-52
HYDRAULIC SYSTEM	53-98
HYDRAULIC CIRCUITRY	53-66
MANUAL LIFT RELEASE SYSTEM	67-70
AUXILIARY HYDRAULICS	71-72
TILT CYLINDER	73-74
LIFT CYLINDER	75-76
CONTROL PEDALS	77-78
HYDRAULIC CONTROL VALVE	79-94
BICS CONTROL VALVE	95-96
MANUAL LIFT RELEASE VALVE	97-98
HIGH FLOW HYDRAULICS	99-104
HIGH FLOW HYDRAULICS	99-104
HYDROSTATIC SYSTEM	105-144
HYDROSTATIC CIRCUITRY	105-118
HAND CONTROLS	119-122
HYDROSTATIC MOTOR	123-130
HYDROSTATIC PUMP	131-138
GEAR PUMP	139-140
HYDROSTATIC OIL FILTER & INLINE FILTER	141-144
ELECTRICAL SYSTEM	145-166
CAB ELECTRICAL CIRCUITRY	145-146
ENGINE ELECTRICAL CIRCUITRY	147-150
CONTROLS ELECTRICAL	151-162
ALTERNATOR	163-164
STARTER	165-166
POWER UNIT	167-280
COOLING SYSTEM	167-170
ENGINE & ATTACHING PARTS	171-178
THROTTLE	179-180
COOLING FAN DRIVE ASSY.	181-182
ENGINE & GASKET KITS (KUBOTA - V2003TMDI)	183-184
GEARCASE (KUBOTA - V2003TMDI)	185-186
OIL COOLER (KUBOTA - V2003TMDI)	187-188
CRANKCASE (KUBOTA - V2003TMDI)	189-190
ROCKER ARM COVER (KUBOTA - V2003TMDI)	191-192
VALVE ROCKER ARM (KUBOTA - V2003TMDI)	193-194

T180 CONTENTS (Cont'd)

POWER UNIT (CONT'D)	167-280
CYLINDER HEAD (KUBOTA - V2003TMDI)	195-196
OIL PAN (KUBOTA - V2003TMDI)	197-198
PISTON & CRANKSHAFT (KUBOTA - V2003TMDI)	199-200
FUEL CAMSHAFT (KUBOTA - V2003TMDI)	201-202
CAMSHAFT (KUBOTA - V2003TMDI)	203-204
WATER PUMP (KUBOTA - V2003TMDI)	205-206
WATER FLANGE & THERMOSTAT (KUBOTA - V2003TMDI)	207-208
MANIFOLDS (KUBOTA - V2003TMDI)	209-210
TURBO CHARGER (KUBOTA - V2003TMDI)	211-212
OIL PIPE (KUBOTA - V2003TMDI)	213-214
ENGINE STOP LEVER (KUBOTA - V2003TMDI)	215-216
GOVERNOR (KUBOTA - V2003TMDI)	217-218
SPEED CONTROL PLATE (KUBOTA - V2003TMDI)	219-220
BOOST COMPENSATOR (KUBOTA - V2003TMDI)	221-222
INJECTION PUMP (KUBOTA - V2003TMDI)	223-226
INJECTOR NOZZLES (KUBOTA - V2003TMDI)	227-228
INJECTOR HOLDER (KUBOTA - V2003TMDI)	229-230
ENGINE & GASKET KITS (KUBOTA - V2403TMDI)	231-232
GEARCASE (KUBOTA - V2403TMDI)	233-234
OIL COOLER (KUBOTA - V2403TMDI)	235-236
CRANKCASE (KUBOTA - V2403TMDI)	237-238
ROCKER ARM COVER (KUBOTA - V2403TMDI)	239-240
VALVE ROCKER ARM (KUBOTA - V2403TMDI)	241-242
CYLINDER HEAD (KUBOTA - V2403TMDI)	243-244
OIL PAN (KUBOTA - V2403TMDI)	245-246
PISTON & CRANKSHAFT (KUBOTA - V2403TMDI)	247-248
FUEL CAMSHAFT (KUBOTA - V2403TMDI)	249-250
CAMSHAFT (KUBOTA - V2403TMDI)	251-252
WATER PUMP (KUBOTA - V2403TMDI)	253-254
WATER FLANGE & THERMOSTAT (KUBOTA - V2403TMDI)	255-256
MANIFOLDS (KUBOTA - V2403TMDI)	257-258
TURBO CHARGER (KUBOTA - V2403TMDI)	259-260
OIL PIPE (KUBOTA - V2403TMDI)	261-262
ENGINE STOP LEVER (KUBOTA - V2403TMDI)	263-264
GOVERNOR (KUBOTA - V2403TMDI)	265-266
SPEED CONTROL PLATE (KUBOTA - V2403TMDI)	267-268
BOOST COMPENSATOR (KUBOTA - V2403TMDI)	269-270
INJECTION PUMP (KUBOTA - V24003TMDI)	271-274
INJECTOR NOZZLES (KUBOTA - V2403TMDI)	275-276
INJECTOR HOLDER (KUBOTA - V2403TMDI)	277-278
AIR CLEANER	279-280
ACCESSORIES & OPTIONS	284-433
ACS CONVERSION KIT	284-285
ACCESS COVER	286-287
ACCESSORIES HARNESS	288-289
BACK-UP ALARM	290-291
BEACON	292-293
BLOCK HEATER	294-295
BOB-TACH LEVERS	296-297
BUCKET POSITIONING VALVE KIT	298-301
BUCKET POSITIONING VALVE	302-303
CAB DOOR	304-313
CAB ENCLOSURE	314-317
CAB WINDOWS	318-321

T180 CONTENTS (Cont'd)

ACCESSORIES & OPTIONS (Cont'd)	284-433
COUNTERWEIGHT KIT	322-325
DECALS	326-329
DELUXE CAB	330-331
DUAL BATTERY KIT	332-333
DUAL DAMPENER KIT	334-335
ELECTRICAL CONTROLS KIT	336-341
ENGINE MOUNT KIT	342-343
EUROPEAN ACCESSORIES	344-349
FIRE EXTINGUISHER	350-351
F.O.P.S. KIT	352-353
FLASHER LIGHTS	354-355
FRONT AUXILIARY	356-357
GAS SPRING KIT	358-359
HAND CONTROL KIT	360-363
HEATER & A/C	364-387
HORN KIT	388-389
LIFT LIT	390-395
LIGHT KIT	396-397
MUFFLER/PURIFIER KIT	398-399
POWER BOB-TACH KIT	400-403
POWER BOB-TACH	404-407
RADIATOR SCREEN KIT	408-409
REAR AUXILIARY	410-413
REAR AUXILIARY VALVE	414-415
REAR DOOR LOCK	416-417
REAR WIPER	418-419
SEAT	420-423
SEAT BELT	424-427
SOUND REDUCTION HARDHAT	428-429
STROBE LIGHT	430-431
BULK ITEMS	432-433
NUMERICAL INDEX	434-481
NUMERICAL INDEX	434-481

GENERAL INFORMATION

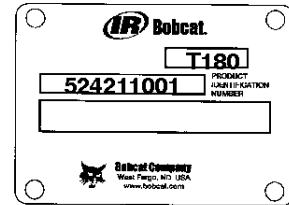
When using the machine serial number, use the complete number.

Some Serial Number breaks are not available at time of printing. These are listed as & Below or & Above.

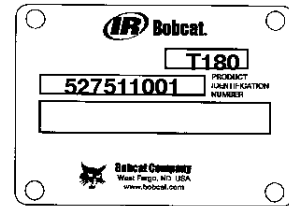
The number shown in the quantity column in this manual is the number of parts needed for the illustration on the page. For some parts an "x" will be shown in the quantity column. This "x" indicates that the quantity to be used is "As Needed".

When references L.H. and R.H. are used in this manual, it is done from the operator's seat in the forward operating position.

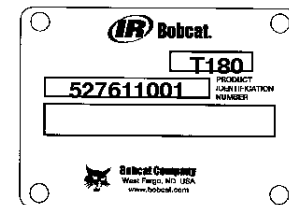
Some of the illustrations and information found in this parts manual were supplied to Bobcat by machine component companies.



Domestic



Domestic



Export

ABBREVIATIONS & SYMBOLS

- SALES = Order from Gwinner Sales Department
- NSS = Not Serviced Separately
- NAP = Not Available as Parts
- * = Changed or Added Sections, Pages or Part Numbers

Disposition Code Definition (Found in the Remarks Column)

- [A] = Use Up
- [B] = Use Up on Other Application (See PNI)
- [C] = File PDR Report With Bobcat Parts Sales
- [D] = Part Number Error

Explications en francais	Grid Nb	3
Erklärungen auf deutsch	Grid Nb	4
Spiegazioni in italiano	Grid Nb	5
Explicaciones en espanol	Grid Nb	6
Verklaring in het Nederlands	Grid Nb	7

Buy Now



Our support email:

ebooklibonline@outlook.com