

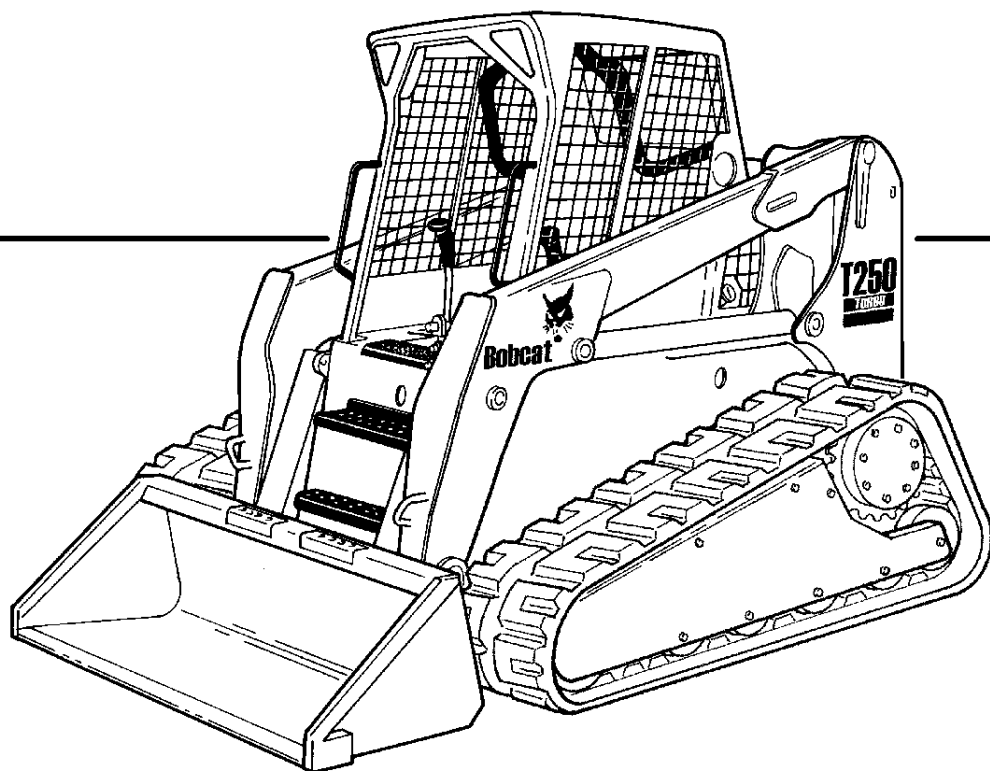
**T250**  
TURBO  
TURBO



**Bobcat®**

# Parts Manual

**S/N 5231 11001 & Above**  
**S/N 5230 11001 & Above**  
**S/N 5256 11001 & Above**  
**S/N 5257 11001 & Above**



## T250 CONTENTS

<b>MAINTENANCE ITEMS</b> .....	<b>11-18</b>
MAINTENANCE ITEMS .....	11-12
SERVICE SCHEDULE ITEMS .....	13-18
<b>MAIN FRAME</b> .....	<b>19-44</b>
MAIN FRAME .....	19-20
OPERATOR CAB .....	21-26
SEAT & SEAT BAR .....	27-28
SEAT .....	29-32
REAR DOOR .....	33-34
LIFT ARMS & BOBTACH .....	35-36
BOB-TACH .....	37-38
PANELS .....	39-42
FUEL SYSTEM .....	43-44
<b>DRIVE TRAIN</b> .....	<b>45-54</b>
DRIVE TRAIN .....	45-46
TRACK TENSIONER .....	47-48
FRONT IDLER .....	49-50
REAR IDLER .....	51-52
TRACK ROLLER .....	53-54
<b>HYDRAULIC SYSTEM</b> .....	<b>55-80</b>
HYDRAULIC CIRCUITRY .....	55-56
LIFT & TILT CONTROL CIRCUITRY .....	57-58
AUXILIARY HYDRAULICS .....	59-60
TILT CYLINDER .....	61-62
LIFT CYLINDER .....	63-64
MANUAL LIFT RELEASE VALVE .....	65-66
CONTROL PEDALS .....	67-68
HYDRAULIC CONTROL VALVE .....	69-72
BICS CONTROL VALVE .....	73-74
HYDRAULIC CONTROL VALVE .....	75-78
BUCKET POSITIONING VALVE .....	79-80
<b>HIGH HORSEPOWER HYDRAULICS</b> .....	<b>81-86</b>
HIGH HORSEPOWER HYDRAULICS .....	81-86
<b>HYDROSTATIC SYSTEM</b> .....	<b>87-122</b>
HYDROSTATIC CIRCUITRY .....	87-92
HAND CONTROLS .....	93-94
HYDROSTATIC MOTOR & BRAKE .....	95-98
HYDROSTATIC PUMP .....	97-112
GEAR PUMP .....	113-117
HYDROSTATIC OIL FILTER .....	117-120
BRAKE VALVE .....	121-122
<b>ELECTRICAL SYSTEM</b> .....	<b>123-144</b>
CAB ELECTRICAL CIRCUITRY .....	123-124
ENGINE ELECTRICAL .....	125-128
CONTROLS ELECTRICAL .....	129-140
ALTERNATOR .....	141-142
STARTER .....	143-144
<b>POWER UNIT</b> .....	<b>145-236</b>
COOLING SYSTEM .....	145-150
ENGINE & ATTACHING PARTS .....	151-160
ENGINE SPEED CONTROL .....	161-164
COOLING FAN DRIVE ASSY. ....	165-166
ENGINE & GASKET KITS .....	167-168
MANIFOLDS .....	169-170

## T250 CONTENTS (Cont'd)

<b>POWER UNIT (CONT'D)</b> .....	<b>145-236</b>
TURBOCHARGER .....	171-172
CYLINDER HEAD & COVER .....	173-174
CYLINDER HEAD .....	175-176
OIL PAN .....	177-178
PISTON & CRANKSHAFT .....	179-180
CAMSHAFT .....	181-182
FRONT COVER .....	183-184
WATER PUMP & THERMOSTAT .....	185-186
WATER PUMP .....	187-188
FUEL INJECTION SYSTEM .....	189-192
FUEL INJECTION PUMP .....	193-194
GOVERNOR .....	195-198
AIR CLEANER .....	199-200
* ENGINE .....	201-202
* MANIFOLDS .....	203-204
* TURBOCHARGER .....	205-206
* CYLINDER HEAD & COVER .....	207-208
* CYLINDER HEAD .....	209-210
* OIL PAN .....	211-212
* PISTON & CRANKSHAFT .....	213-214
* CAMSHAFT .....	215-216
* FRONT COVER .....	217-218
* WATER PUMP & THERMOSTAT .....	219-220
* WATER PUMP .....	221-222
* FUEL INJECTION SYSTEM .....	223-226
* FUEL INJECTION PUMP .....	227-228
* GOVERNOR .....	229-234
* AIR CLEANER .....	235-236
<b>ACCESSORIES &amp; OPTIONS</b> .....	<b>240-351</b>
ACS CONVERSION KIT .....	240-241
BACK-UP ALARM KIT .....	242-245
BEACON .....	246-247
BLOCK HEATER .....	248-249
BUCKET POSITIONING KIT .....	250-251
CAB DOOR .....	252-261
CAB ENCLOSURE .....	262-265
CAB WINDOWS .....	266-269
DEBRIS SHIELD KIT .....	270-271
ELECTRICAL CONNECTOR KIT .....	272-273
ELECTRICAL CONTROLS KIT .....	274-277
EUROPEAN ACCESSORIES .....	278-281
FIRE EXTINGUISHER .....	282-283
FLASHER LIGHTS .....	284-285
F.O.P.S. KIT .....	286-287
FRONT AUXILIARY .....	288-289
GAS SPRING KIT .....	290-291
HEATER & A/C .....	292-309
HORN KIT .....	310-313
LIFT KIT .....	314-317
LIGHT KIT .....	318-319
NOISE REDUCTION KIT .....	320-321
POWER BOB-TACH KIT .....	322-323
POWER BOB-TACH CYLINDER .....	324-325
POWER BOB-TACH .....	326-327

## T250 CONTENTS (Cont'd)

<b>ACCESSORIES &amp; OPTIONS (CONT'D)</b> .....	<b>240-351</b>
PURIFIER .....	328-329
RADIATOR SCREEN KIT .....	330-331
REAR AUXILIARY HYDRAULICS .....	332-333
REAR AUXILIARY VALVE .....	334-335
REAR DOOR LOCK .....	336-337
REAR WIPER .....	338-339
SEAT BELT .....	340-345
STEERING DAMPENING KIT .....	346-347
STROBE LIGHT .....	348-349
BULK ITEMS .....	350-351

## T250 CONTENTS

<b>MAINTENANCE ITEMS</b> .....	<b>11-18</b>
MAINTENANCE ITEMS .....	11-12
SERVICE SCHEDULE ITEMS .....	13-18
<b>MAIN FRAME</b> .....	<b>19-44</b>
MAIN FRAME .....	19-20
OPERATOR CAB .....	21-26
SEAT & SEAT BAR .....	27-28
SEAT .....	29-32
REAR DOOR .....	33-34
LIFT ARMS & BOBTACH .....	35-36
BOB-TACH .....	37-38
PANELS .....	39-42
FUEL SYSTEM .....	43-44
<b>DRIVE TRAIN</b> .....	<b>45-54</b>
DRIVE TRAIN .....	45-46
TRACK TENSIONER .....	47-48
FRONT IDLER .....	49-50
REAR IDLER .....	51-52
TRACK ROLLER .....	53-54
<b>HYDRAULIC SYSTEM</b> .....	<b>55-80</b>
HYDRAULIC CIRCUITRY .....	55-56
LIFT & TILT CONTROL CIRCUITRY .....	57-58
AUXILIARY HYDRAULICS .....	59-60
TILT CYLINDER .....	61-62
LIFT CYLINDER .....	63-64
MANUAL LIFT RELEASE VALVE .....	65-66
CONTROL PEDALS .....	67-68
HYDRAULIC CONTROL VALVE .....	69-72
BICS CONTROL VALVE .....	73-74
HYDRAULIC CONTROL VALVE .....	75-78
BUCKET POSITIONING VALVE .....	79-80
<b>HIGH HORSEPOWER HYDRAULICS</b> .....	<b>81-86</b>
HIGH HORSEPOWER HYDRAULICS .....	81-86
<b>HYDROSTATIC SYSTEM</b> .....	<b>87-122</b>
HYDROSTATIC CIRCUITRY .....	87-92
HAND CONTROLS .....	93-94
HYDROSTATIC MOTOR & BRAKE .....	95-98
HYDROSTATIC PUMP .....	97-112
GEAR PUMP .....	113-117
HYDROSTATIC OIL FILTER .....	117-120
BRAKE VALVE .....	121-122
<b>ELECTRICAL SYSTEM</b> .....	<b>123-144</b>
CAB ELECTRICAL CIRCUITRY .....	123-124
ENGINE ELECTRICAL .....	125-128
CONTROLS ELECTRICAL .....	129-140
ALTERNATOR .....	141-142
STARTER .....	143-144
<b>POWER UNIT</b> .....	<b>145-236</b>
COOLING SYSTEM .....	145-150
ENGINE & ATTACHING PARTS .....	151-160
ENGINE SPEED CONTROL .....	161-164
COOLING FAN DRIVE ASSY. ....	165-166
ENGINE & GASKET KITS .....	167-168
MANIFOLDS .....	169-170

## T250 CONTENTS (Cont'd)

<b>POWER UNIT (CONT'D)</b> .....	<b>145-236</b>
TURBOCHARGER .....	171-172
CYLINDER HEAD & COVER .....	173-174
CYLINDER HEAD .....	175-176
OIL PAN .....	177-178
PISTON & CRANKSHAFT .....	179-180
CAMSHAFT .....	181-182
FRONT COVER .....	183-184
WATER PUMP & THERMOSTAT .....	185-186
WATER PUMP .....	187-188
FUEL INJECTION SYSTEM .....	189-192
FUEL INJECTION PUMP .....	193-194
GOVERNOR .....	195-198
AIR CLEANER .....	199-200
* ENGINE .....	201-202
* MANIFOLDS .....	203-204
* TURBOCHARGER .....	205-206
* CYLINDER HEAD & COVER .....	207-208
* CYLINDER HEAD .....	209-210
* OIL PAN .....	211-212
* PISTON & CRANKSHAFT .....	213-214
* CAMSHAFT .....	215-217
* FRONT COVER .....	217-218
* WATER PUMP & THERMOSTAT .....	219-220
* WATER PUMP .....	221-222
* FUEL INJECTION SYSTEM .....	223-226
* FUEL INJECTION PUMP .....	227-228
* GOVERNOR .....	229-234
* AIR CLEANER .....	235-236
<b>ACCESSORIES &amp; OPTIONS</b> .....	<b>240-351</b>
ACS CONVERSION KIT .....	240-241
BACK-UP ALARM KIT .....	242-245
BEACON .....	246-247
BLOCK HEATER .....	248-249
BUCKET POSITIONING KIT .....	250-251
CAB DOOR .....	252-261
CAB ENCLOSURE .....	262-265
CAB WINDOWS .....	266-269
DEBRIS SHIELD KIT .....	270-271
ELECTRICAL CONNECTOR KIT .....	272-273
ELECTRICAL CONTROLS KIT .....	274-277
EUROPEAN ACCESSORIES .....	278-281
FIRE EXTINGUISHER .....	282-283
FLASHER LIGHTS .....	284-285
F.O.P.S. KIT .....	286-287
FRONT AUXILIARY .....	288-289
GAS SPRING KIT .....	290-291
HEATER & A/C .....	292-309
HORN KIT .....	310-313
LIFT KIT .....	314-317
LIGHT KIT .....	318-319
NOISE REDUCTION KIT .....	320-321
POWER BOB-TACH KIT .....	322-323
POWER BOB-TACH CYLINDER .....	324-325
POWER BOB-TACH .....	326-327

## T250 CONTENTS (Cont'd)

<b>ACCESSORIES &amp; OPTIONS (CONT'D)</b> .....	<b>240-351</b>
PURIFIER .....	328-329
RADIATOR SCREEN KIT .....	330-331
REAR AUXILIARY HYDRAULICS .....	332-333
REAR AUXILIARY VALVE .....	334-335
REAR DOOR LOCK .....	336-337
REAR WIPER .....	338-339
SEAT BELT .....	340-345
STEERING DAMPENING KIT .....	346-347
STROBE LIGHT .....	348-349
BULK ITEMS .....	350-351

# GENERAL INFORMATION

When using the machine serial number, use the complete number.

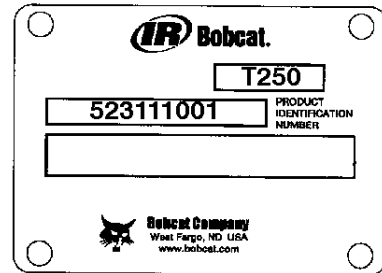
Some Serial Number breaks are not available at time of printing. These are listed as & Below or & Above.

The number shown in the quantity column in this manual is the number of parts needed for the illustration on the page. For some parts an "x" will be shown in the quantity column. This "x" indicates that the quantity to be used is "As Needed".

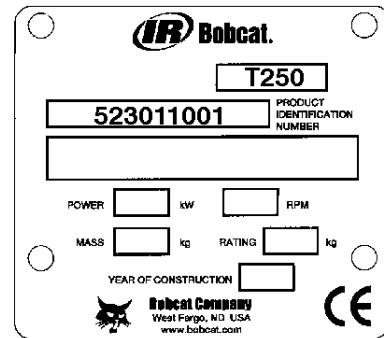
When references L.H. and R.H. are used in this manual, it is done from the operator's seat in the forward operating position.

To find the size and kind of bolt use the Bobcat Standard Microfiche (P/N 6566077).

Some of the illustrations and information found in this parts manual were supplied to Bobcat by machine component companies.



DOMESTIC



EXPORT

## ABBREVIATIONS & SYMBOLS

- SALES** = Order from Gwinner Sales Department
- NSS** = Not Serviced Separately
- NAP** = Not Available as Parts
- \*** = Changed or Added Sections, Pages or Part Numbers

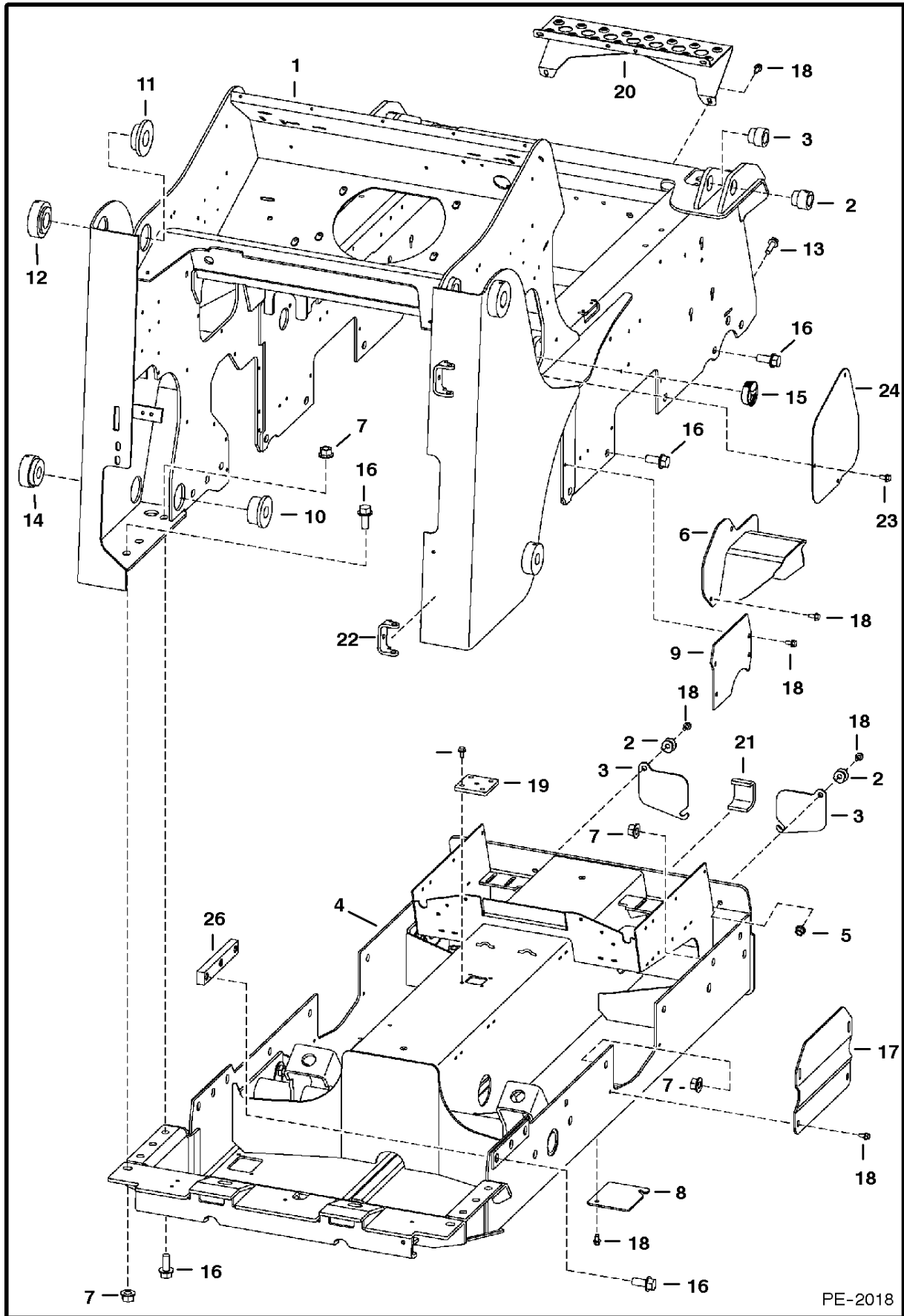
### Disposition Code Definition (Found in the Remarks Column)

- [A]** = Use Up
- [B]** = Use Up on Other Application (See PNI)
- [C]** = File PDR Report With Bobcat Parts Sales
- [D]** = Part Number Error

Explications en francais	Grid Nb	3
Erklärungen auf deutsch	Grid Nb	4
Spiegazioni in italiano	Grid Nb	5
Explicaciones en espanol	Grid Nb	6
Verklaring in het Nederlands	Grid Nb	7



# MAIN FRAME



PE-2018

**Buy Now**



Our support email:

[ebooklibonline@outlook.com](mailto:ebooklibonline@outlook.com)