

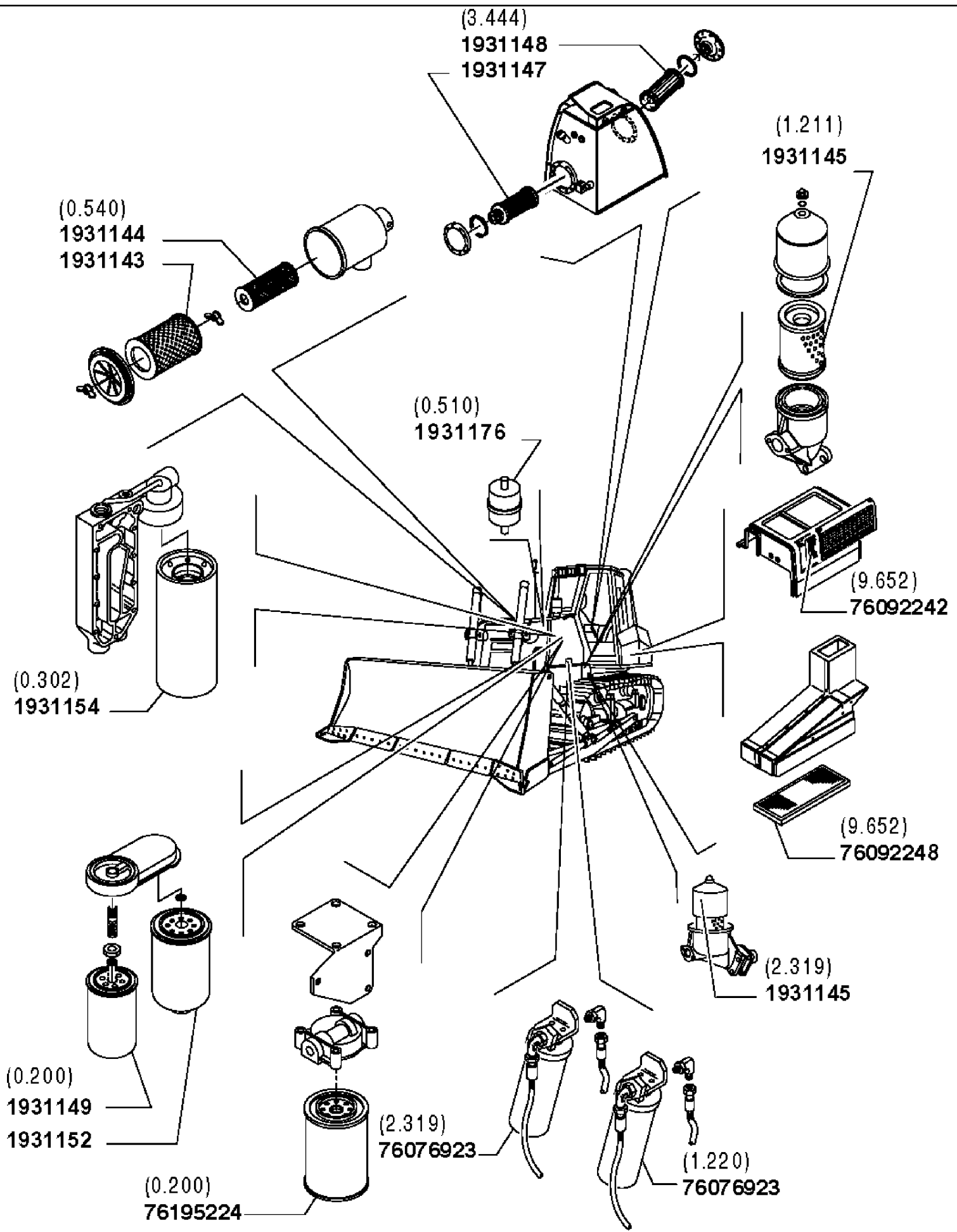


# PARTS CATALOGUE

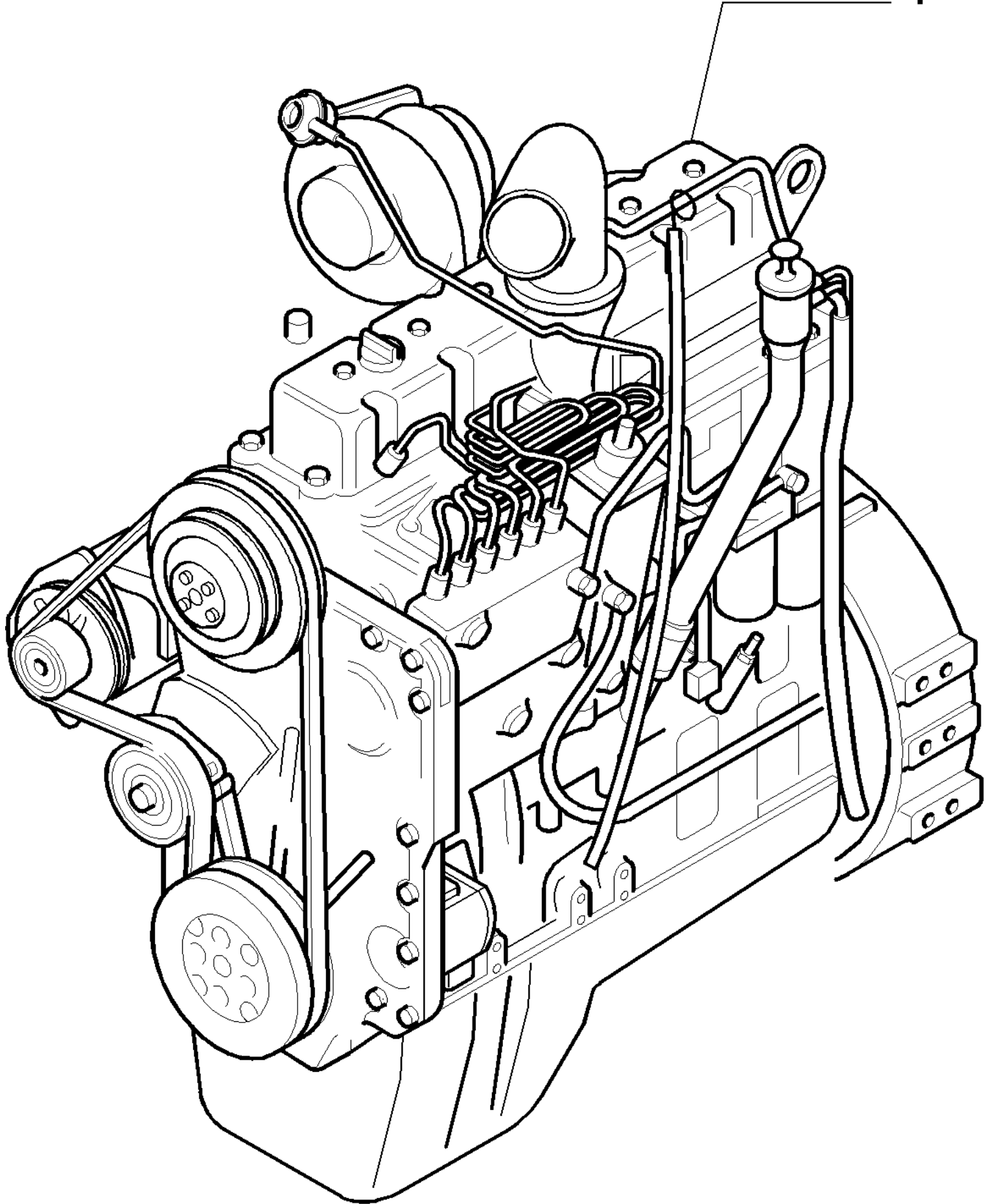
CRAWLER DOZER

1850K

TIER 2



1

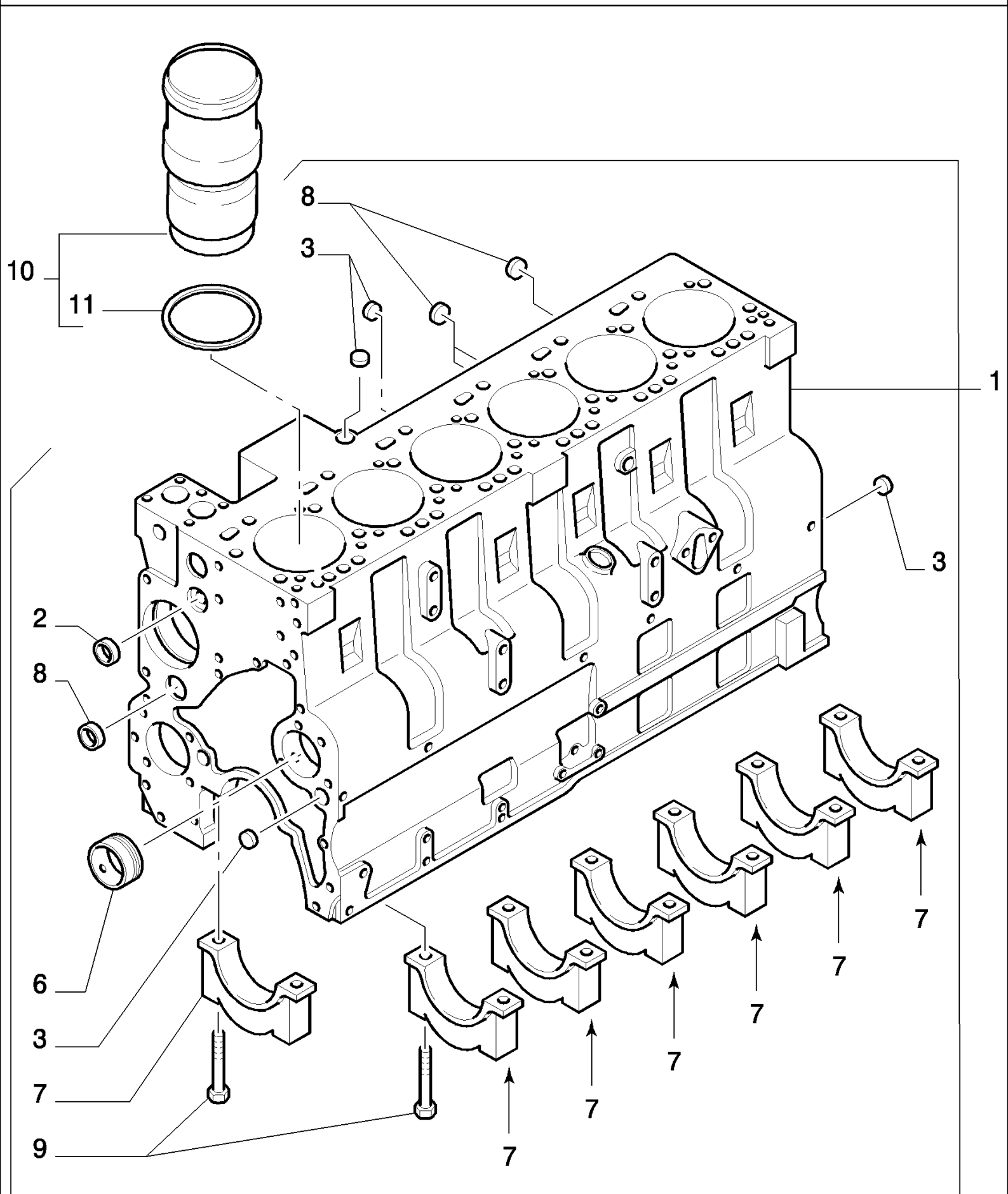


1850K CRAWLER DOZER (TIER II) (3/03- )

0.021(01A) ENGINE - VERSION (03)

Ref	Part Number	Qty	Description
1	76078004	1	ENGINE, - 215HP LGP

0.040(01) CRANKCASE



Thank you so much for reading.  
Please click the “Buy Now!”  
button below to download the  
complete manual.



After you pay.

You can download the most  
perfect and complete manual in  
the world immediately.

Our support email:

[ebooklibonline@outlook.com](mailto:ebooklibonline@outlook.com)