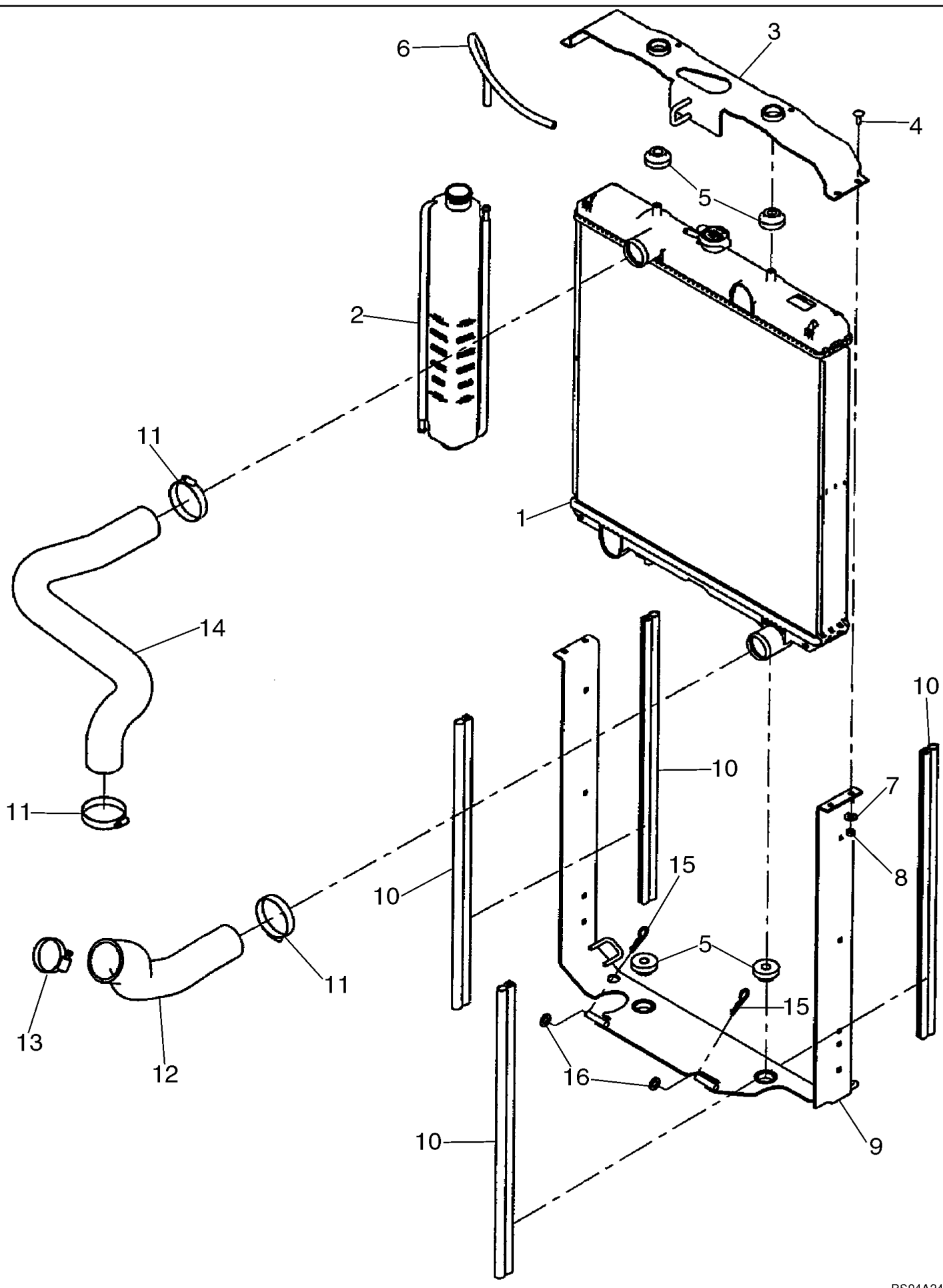




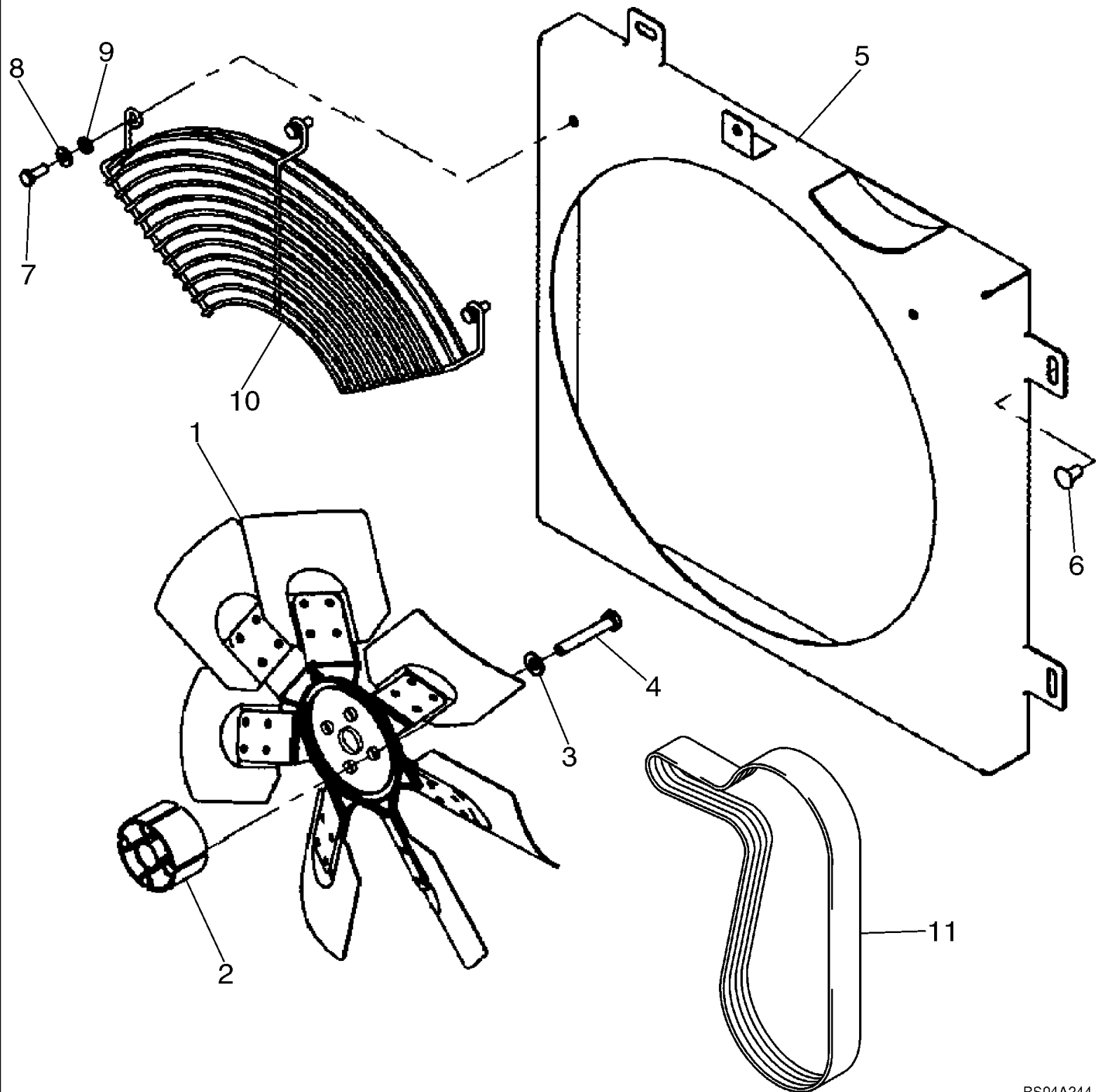
PARTS CATALOGUE

445
CASE SKID STEER LOADER



02-01 RADIATOR - COOLANT RECOVERY SYSTEM

Ref	Part Number	Qty	Description
1	87013856	1	RADIATOR, Incl. 1A, 1B
1A	87032485	1	FITTING, Drain
1B	87032486	1	CAP, RADIATOR,
2	87020980	1	RESERVOIR, COOLANT EXPNSN, Incl. Cap 257884A1
	257884A1	1	PLUG,
3	87459340	1	FRAME, Upper Radiator; Component Parts Not Serviced Separately; Replaces 87024337
4	280638	4	BOLT, CARRIAGE, Short NK, 1/4"-20 x 3/4", G5, Full Thd,
5	87017045	4	CUSHION,
6	87023941	1	HOSE, Coolant Recovery
7	322357	4	WASHER, SPRING, Belleville, M6,
8	7770	4	NUT, 1/4"-20, G5,
9	87436062	1	FRAME ASSY, Lower Radiator
9	87393454	1	FRAME, Lower Radiator; Replaces 87436062
10	87033635	4	SEAL,
11	86050202	3	CLAMP, #32, 1.56/2.50 Type F Worm,
12	87037868	1	HOSE ASSY., Lower Radiator
13	86625031	1	CLAMP, #40, 2.06/3.00 Type F Worm,
14	87040170	1	HOSE ASSY., Upper Radiator
15	216698	2	PIN, SPLIT (COTTER), If Used
16	895-11010	2	WASHER, M10 x 20 x 2, If Used



445 SKID STEER (3/04-)

02-02 FAN - FAN BELT

Ref	Part Number	Qty	Description
1	87025470	1	FAN, 480 mm; If Used
1	238344A1	1	FAN, 518 mm; If Used
2	A184545	1	SPACER,
3	140045	4	WASHER, SPRING, Belleville, M10,
4	814-10070	4	BOLT, Hex, M10 x 70, 8.8,
5	87046890	1	SHROUD ASSY., Used With 480 mm Fan; If Used
5	87461514	1	SHROUD ASSY., Used With 518 mm Fan; If Used
6	434-612	4	BOLT, CARRIAGE, Short NK, 3/8"-16 x 3/4", G5, Full Thd,
7	120104	3	SCREW, Hex, M8 x 20, 8.8,
8	322358	3	WASHER, SPRING, Belleville, M8, 9 x 16 x 1.6 mm
9	86624184	3	WASHER, M8 x 16 x 1.6,
10	87046887	1	GUARD, Fan
11	86982450	1	V-BELT, Fan Belt

Thank you so much for reading.
Please click the “Buy Now!”
button below to download the
complete manual.



After you pay.

You can download the most
perfect and complete manual in
the world immediately.

Our support email:

ebooklibonline@outlook.com