



PARTS CATALOG

LOADER BACKHOE

580M SERIES 3



BD08B046

TABLE OF CONTENTS

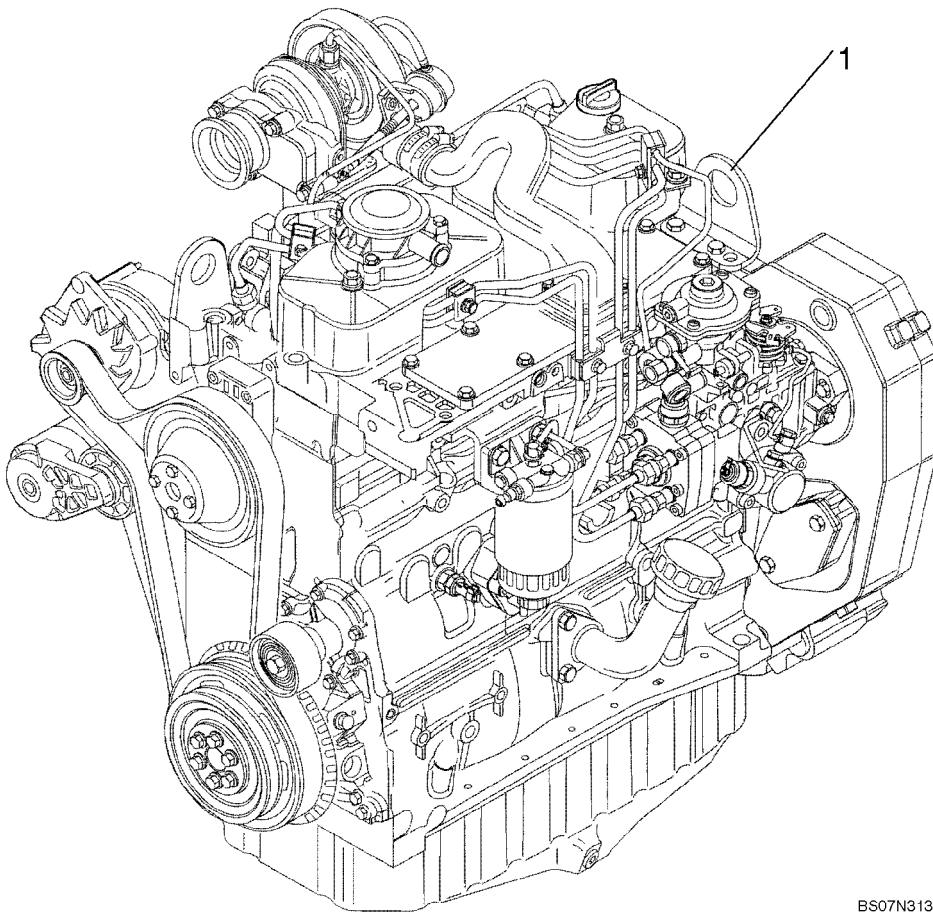
- General Information
- Section 2 – Engine
- Section 3 – Fuel System
- Section 4 – Electrical System
- Section 5 – Tracks / Steering
- Section 6 – Power train
- Section 7 – Brakes
- Section 8 – Hydraulics
- Section 9 – Chassis/Attachments
- Index

02-08

p1

02/08

ENGINE



BS07N313

ENGINE

REF	FN	PART NUMBER	YR/SN	QTY	DESCRIPTION
1		87603948		1	ENGINE, 85 hp, Internal Intake EGR; Bosch Injection Pump; Turbocharged Engine; Includes Parts On Figures 02-08 - 02-42, 03-04 - 03-11

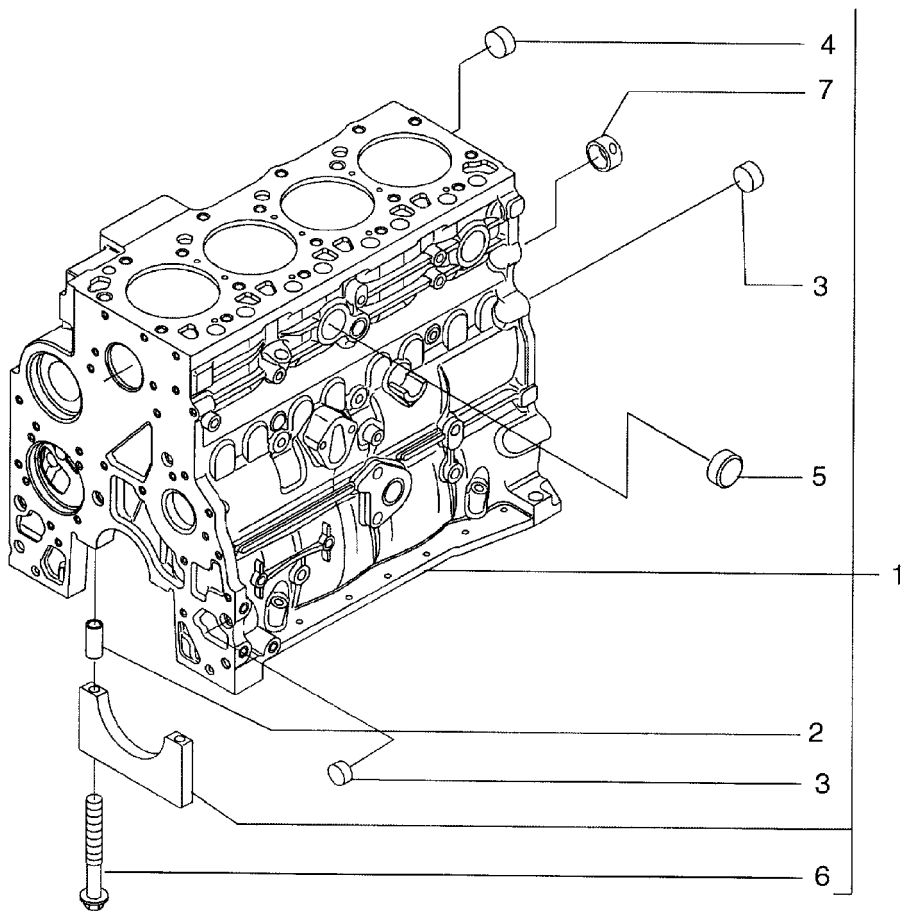
580M

02-09

p1

11/07

CYLINDER BLOCK



02-09

p1

11/07

CYLINDER BLOCK

REF	FN	PART NUMBER	YR/SN	QTY	DESCRIPTION
1		2830082		1	CYLINDER BLOCK, - ASSY; Incl. Ref 2 - 7, Plus Main Bearing Caps
		4895919		4	BEARING, CRANKSHAFT, Main Bearing Cap; Not Serviced Separately
		4895921		1	BEARING, CRANKSHAFT, Main Bearing Cap; Not Serviced Separately
2		4899026		10	DOWEL
3		4895039		3	PLUG
4		4895038		4	PLUG
5		4895228		2	PLUG
6		4891353		10	SCREW, Flg Hd, M12 x 1.5 x 120
7		4895040		1	BUSHING

580M

Thank you so much for reading.
Please click the “Buy Now!”
button below to download the
complete manual.



After you pay.

You can download the most
perfect and complete manual in
the world immediately.

Our support email:

ebooklibonline@outlook.com