

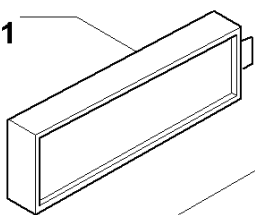


# PARTS CATALOGUE

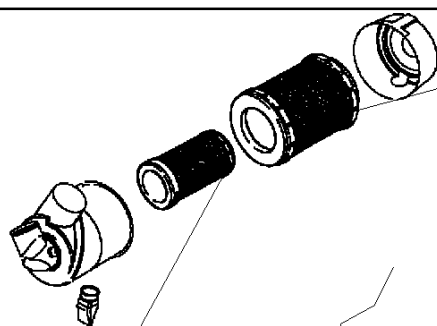
WHEEL LOADER  
721D  
EUROPE

0 - FILTERS(00) MAINTENANCE PARTS

(09-36C)  
330014A1



(02-10A)  
187472A1

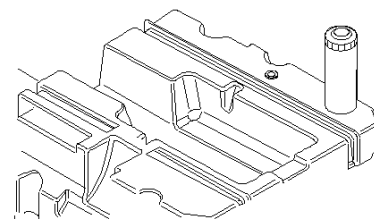


(02-10A)  
381230A1

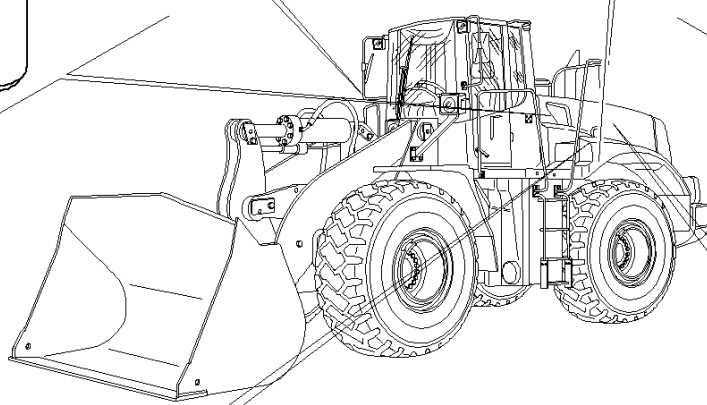
(03-04)  
87400394



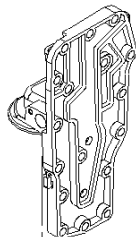
(08-03)  
87403735  
87403734



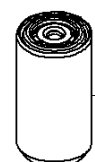
(08-43A)  
87403735



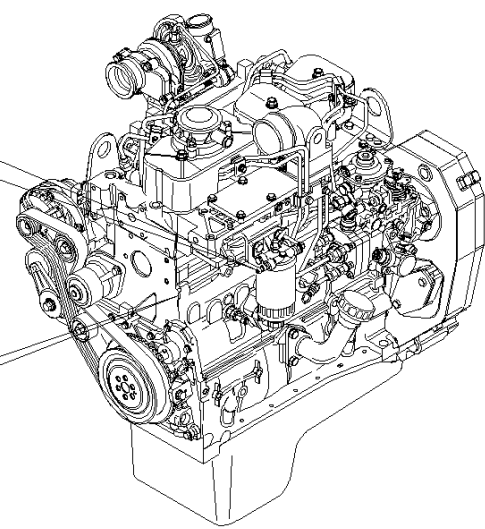
(02-17)  
87803204



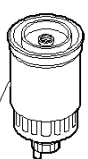
(06-21)  
8603535



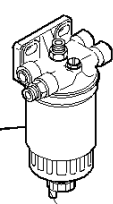
(08-43B)  
87308928



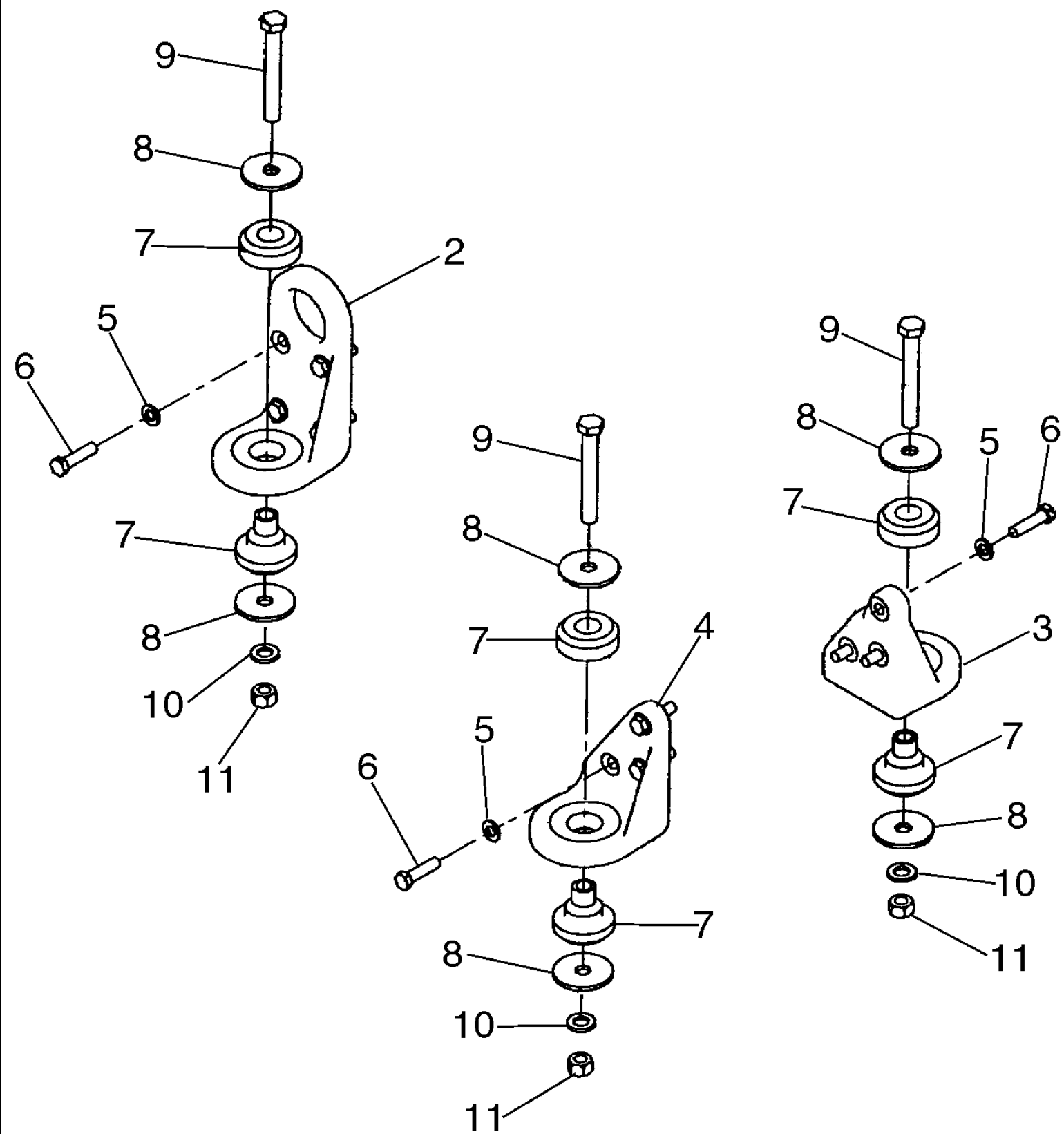
(03-13)  
87803191



(03-13)



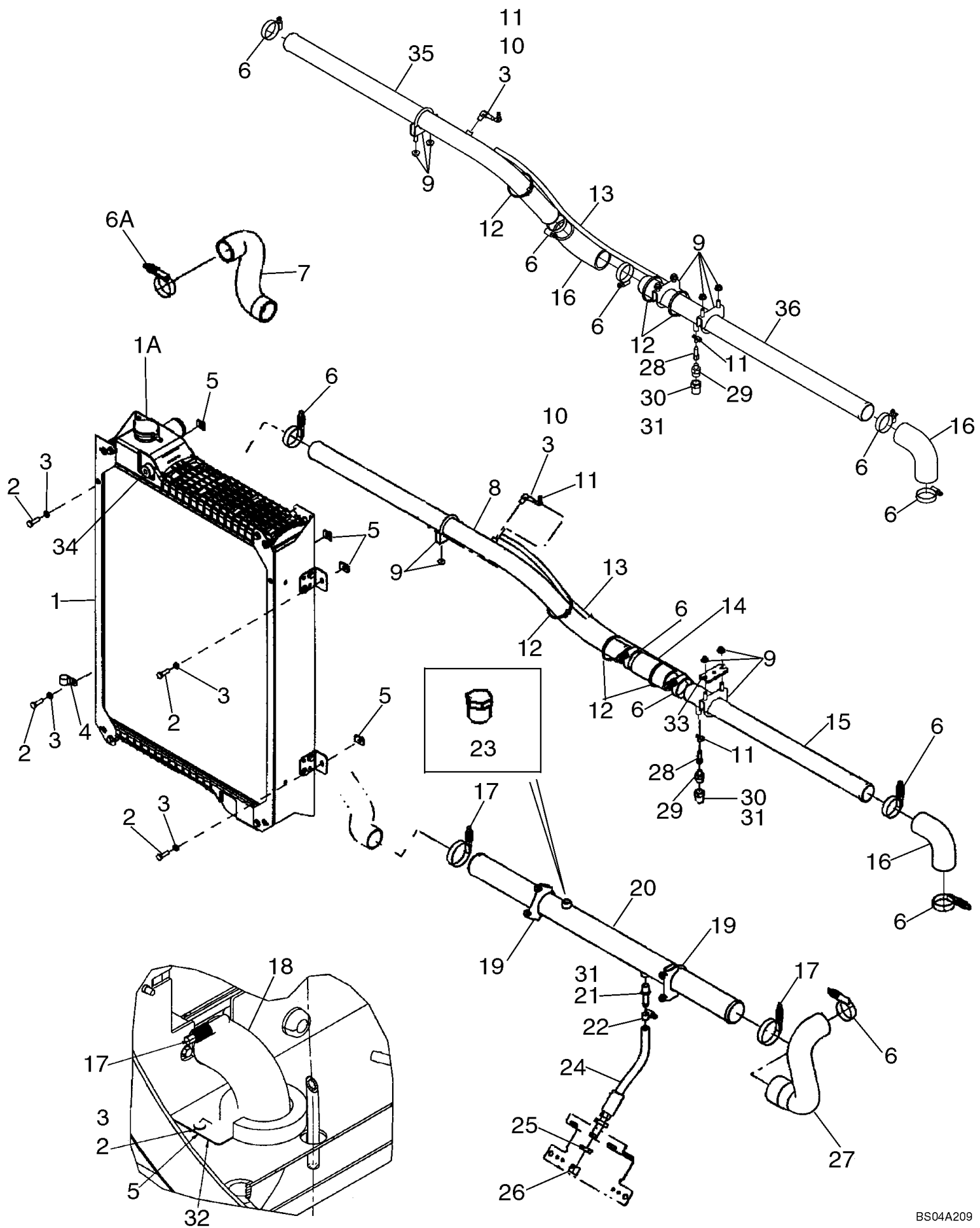
02-01 MOUNTING, ENGINE



## 02-01 MOUNTING, ENGINE

Ref	Part Number	Qty	Description
2	8602302	2	MOUNT, ENGINE, 17,5 x 30 x 4 mm; Front
3	8602303	1	MOUNT, ENGINE, Right Rear
4	8602304	1	MOUNT, ENGINE, M16 x 110; 10.9; Left Rear
5	896-11012	14	WASHER, M13.5 x 24.5 x 3, HT, 13,5 x 24 x 3 mm
6	627-12045	14	BOLT, Hex, M12 x 45, 10.9, Full Thd, M12 x 45; 10.9
7	361811A1	4	ISOLATOR, Rear
8	496-81025	8	WASHER, 21/32" x 2 1/2" x .188", HDN, ,656 x 2,5 x ,188
9	827-16120	4	BOLT, Hex, M16 x 120, 10.9, M16 x 120; 10.9
10	896-11016	4	WASHER, M17.5 x 30 x 4, HT, 17,5 x 16,7 x 4,8 mm
11	829-1416	4	NUT, M16, CI 10, M16; No Longer Used For This Application
11	832-10416	4	NUT, LOCK, M16 x 2, CI 8, M16

02-02 RADIATOR - MOUNTING



Thank you so much for reading.  
Please click the “Buy Now!”  
button below to download the  
complete manual.



After you pay.

You can download the most  
perfect and complete manual in  
the world immediately.

Our support email:

[ebooklibonline@outlook.com](mailto:ebooklibonline@outlook.com)