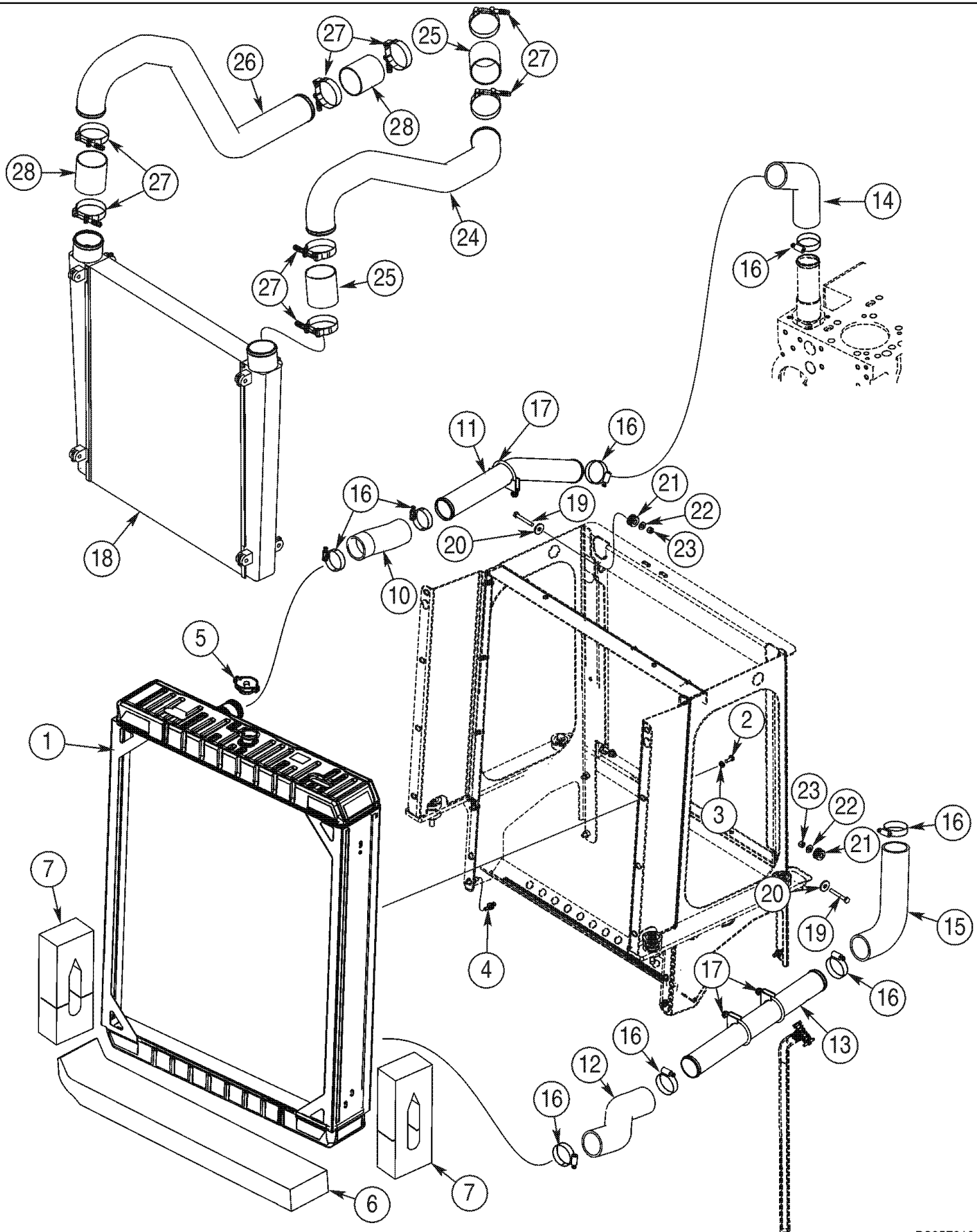




PARTS CATALOGUE

WHEEL LOADER
821C

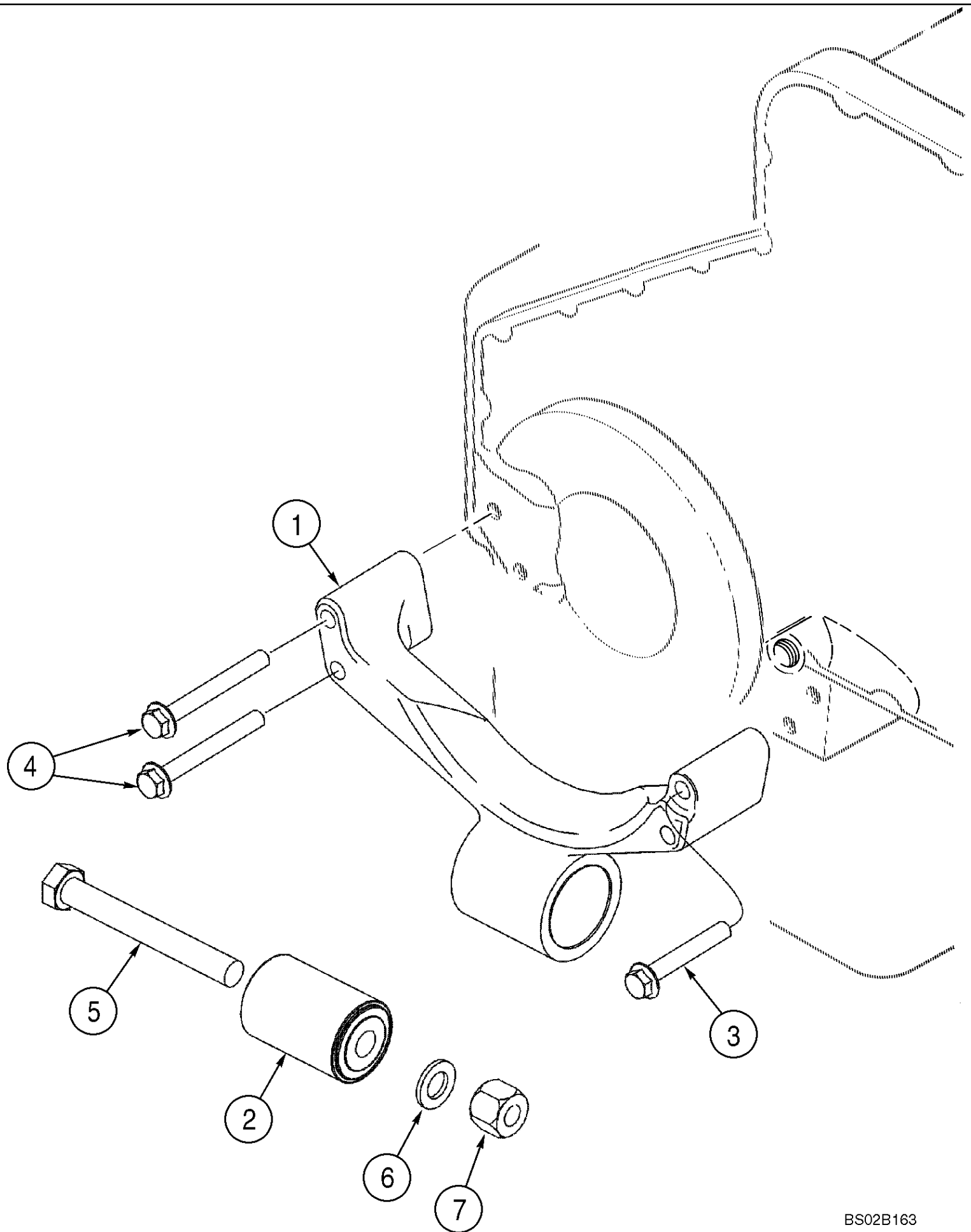
02-01 RADIATOR MOUNTING - COOLER, CHARGE AIR



821C CASE WHEEL LOADER (S/N JEE0155001 & AFTER)

02-01 RADIATOR MOUNTING - COOLER, CHARGE AIR

Ref	Part Number	Qty	Description
1	395780A1	1	RADIATOR,
2	627-8020	9	BOLT, Hex, M8 x 20, 10.9, M8 x 20; 10.9
3	896-15008	10	WASHER, M8 x 21.5 x 2.5, HT, 9 x 17 x 1,6 mm
4	292523A1	1	BOLT, SPECIAL, Ground
5	A170241	1	CAP, RADIATOR, 15 psi; Radiator
6	444763A1	1	INSULATOR, Radiator, Bottom
7	444764A1	2	INSULATOR, Radiator, Sides
10	413058A1	1	HOSE (METRES), Radiator, Upper
11	413062A1	1	TUBE, Coolant
12	413059A1	1	HOSE (METRES), Lower
13	419358A1	1	TUBE ASSY., Coolant, Bottom
14	413060A1	1	HOSE, LARGE, Engine, Upper
15	413061A1	1	HOSE, LARGE, Engine, Bottom
16	214-3148	8	CLAMP, HOSE, 2.25/3.125 HD Worm, 2-1/4 - 3-1/8
17	393632A1	3	CLAMP, Incl. Hardware
18	437249A1	1	COOLER, Air To Charge Air
19	827-8060	4	BOLT, Hex, M8 x 60, 10.9, M8 x 60; 10.9
20	496-41041	4	WASHER, 13/32" x 1 1/8" x .134", 13/32 x 1-1/8 x 9/64
21	434177A1	4	MOUNTING, RUBBER,
22	895-15008	4	WASHER, M8 x 20 x 1.6, 9 x 20 x 1,6 mm
23	832-10408	4	NUT, M8 x 1.25, Cl 8, M8
24	413186A3	1	TUBE, Charge Air, Intake
25	87572378	2	HOSE Air Intake; 89 mm (3-1/2 in), Replaces 87340629, 329736A1
26	413185A2	1	TUBE, Charge Air, Cooler To Turbocharger
27	L115549	8	CLAMP,
28	87572375	2	HOSE Air Intake; 89 mm (3-1/2 in), Replaces 87340628, 329736A1



821C CASE WHEEL LOADER (S/N JEE0155001 & AFTER)

02-02 MOUNTING, ENGINE

Ref	Part Number	Qty	Description
	418674A1	1	SUPPORT, Incl. 1,2
1	J943374	1	SUPPORT,
2	L124020	1	SHOCK ABSORBER,
3	854-12090	1	BOLT, Hex Flg, M12 x 90, 10.9, M12 x 90; 10.9
4	854-12100	3	BOLT, Hex Flg, M12 x 100, 10.9, M12 x 100; 10.9
5	426-1296	1	BOLT, Hex, 3/4"-10 x 6", G8, 3/4 x 6
6	496-81000	1	WASHER, 25/32" x 1 3/8" x .134", HDN, 25/32 x 1-3/8 x 1/8
7	131-1400	1	NUT, LOCK, Jam, 3/4"-16, 3/4

Thank you so much for reading.
Please click the “Buy Now!”
button below to download the
complete manual.



After you pay.

You can download the most
perfect and complete manual in
the world immediately.

Our support email:

ebooklibonline@outlook.com