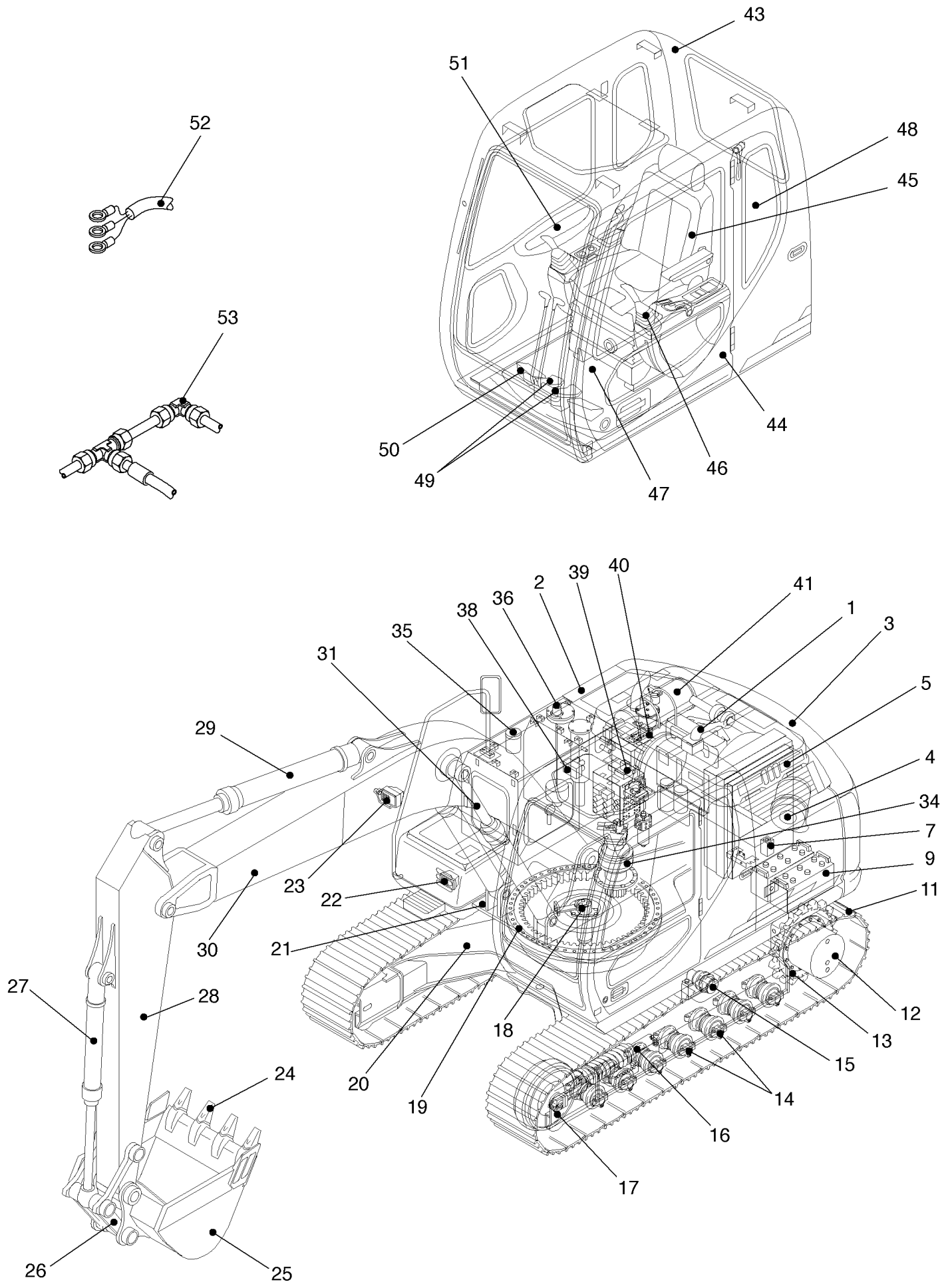




PARTS CATALOGUE

CX130
CASE CRAWLER EXCAVATOR



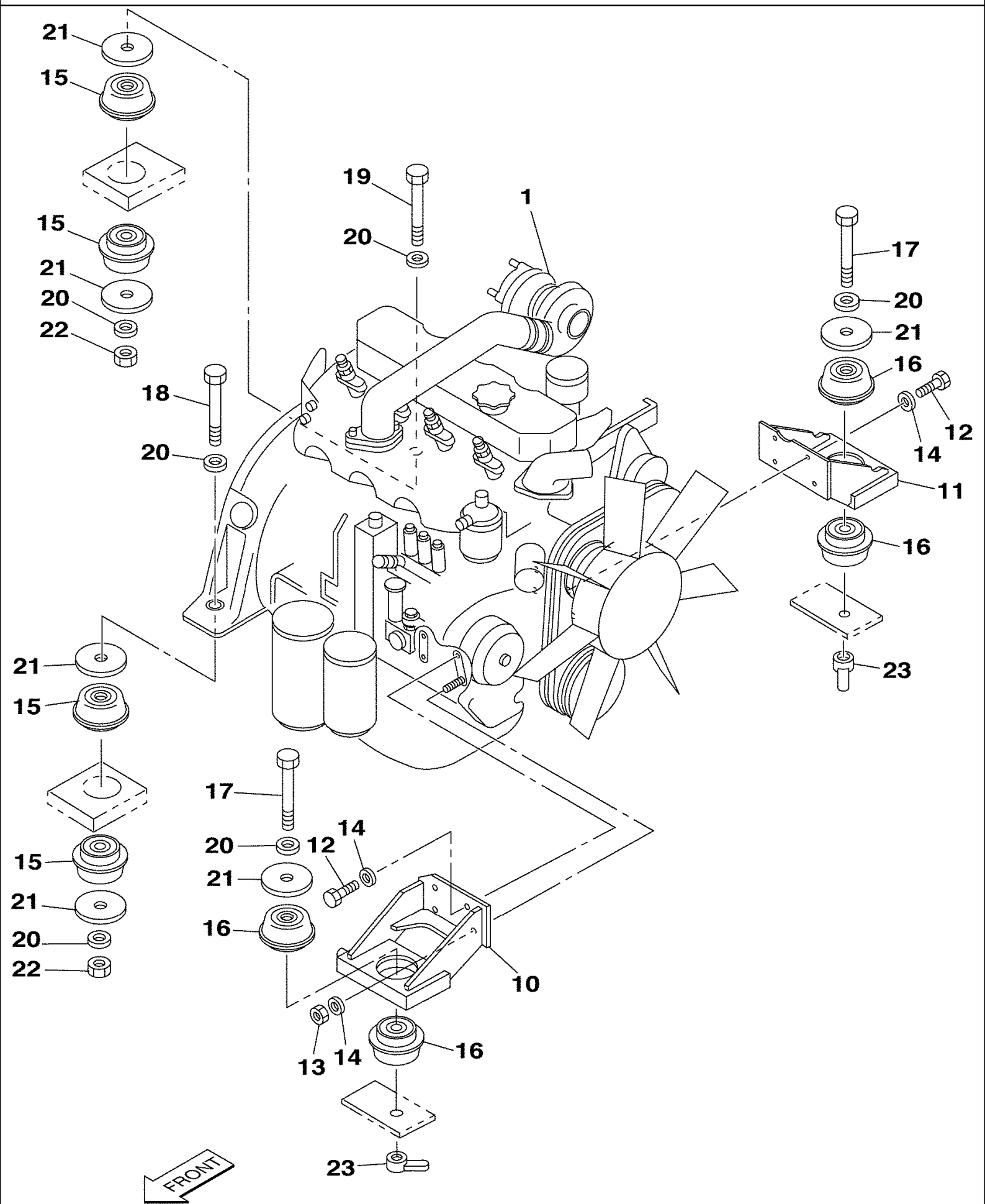
CX130 CASE CRAWLER EXCAVATOR (EUROPE) (1/03-)

01-003-00(01) COMPONENT INDEX

Ref	Part Number	Qty	Description
1		1	ENGINE MOUNTING ENGINE - See Page : 02-003-00
2		1	COWLING - See Page : 09-011-00 to 09-019-00
3		1	COUNTERWEIGHT - See Page : 09-009-00
4		1	AIR FILTRATION - See Page : 02-005-00
5		1	RADIATOR - See Page : 02-011-00, Water, Oil
7		1	TANK, EXPANSION - See Page : 02-009-00
9		1	BATTERIES - See Page : 04-023-00
11		1	TRACK - See Page : 05-007-00 to 05-009B-00
12		1	TRAVEL MOTOR AND REDUCTION GEAR - See Page : 06-003-00
13		1	SPROCKET - See Page : 06-003-00
14		1	ROLLER LOWER - See Page : 05-017-00
15		1	ROLLER UPPER - See Page : 05-015-00
16		1	TENSION DAMPER - See Page : 05-013-00
17		1	GUIDE PULLEY - See Page : 05-011-00
18		1	SWING JOINT - See Page : 07-011-00
19		1	SWING COMPONENTS - See Page : 09-003-00
20		1	UNDERCARRIAGE - See Page : 05-003-00
21		1	UPPERSTRUCTURE CHASSIS - See Page : 09-005-00
22		1	LAMP, HEAD - See Page : 04-019-00, Upperstructure chassis
23		1	LAMP, WORK - See Page : 04-019-00
24		1	TOOTH - See Page : 09-107-00
25		1	BUCKET - See Page : 09-093-00 TO 09-105-00
26		1	BUCKET CONTROL - See Page : 09-091-00, Bucket
27		1	BUCKET CYLINDER - See Page : 09-089-00, Bucket
28		1	DIPPER - See Page : 09-081-00 to 09-085-00
29		1	DIPPER CYLINDER - See Page : 09-087-00
30		1	BOOM - See Page : 09-077-00
31		1	BOOM CYLINDER - See Page : 09-079-00
34		1	SWING MOTOR-DRIVE REDUCTION GEAR - See Page : 06-007-00
35		1	FUEL TANK - See Page : 03-003-00
36		1	HYDRAULIC RESERVOIR - See Page : 08-003-00
38		1	VALVE SOLENOIDE - See Page : 08-105-00
39		1	CONTROL VALVE - See Page : 08-089-00 to 08-103-00
40		1	PUMP COUPLING - See Page : 08-005-00
41		1	EXHAUST - See Page : 02-007-00
43		1	CAB - See Page : 09-061-00 to 09-069-00
44		1	CAB DOOR - See Page : 09-071-00
45		1	SEAT - See Page : 09-043-00
46		1	HAND CONTROL VALVE - OPERATORS COMPARTMENT09-023-00
47		1	MAT, FLOOR - OPERATORS COMPARTMENT - See Page : 09-021-00
48		1	AIR CONDITIONING - See Page : 09-047-00 to 09-059-00
49		1	TRAVEL CONTROL - See Page : 09-025-00
50		1	OPTION CONTROL - See Page : 09-027-00
51		1	SIDE INSTRUMENT PANEL - See Page : 04-027-00
52		1	ELECTRICAL CIRCUIT - See Page : 04-003-00 to 04-015-00

01-003-00(01) COMPONENT INDEX

Ref	Part Number	Qty	Description
53		1	HYDRAULIC CIRCUIT - See Page : 07-003-00, Undercarriage
53		1	HYDRAULIC CIRCUIT - See Page : 08-007-00 to 08-059R-00, Upperstructure chassis



Thank you so much for reading.
Please click the “Buy Now!”
button below to download the
complete manual.



After you pay.

You can download the most
perfect and complete manual in
the world immediately.

Our support email:

ebooklibonline@outlook.com