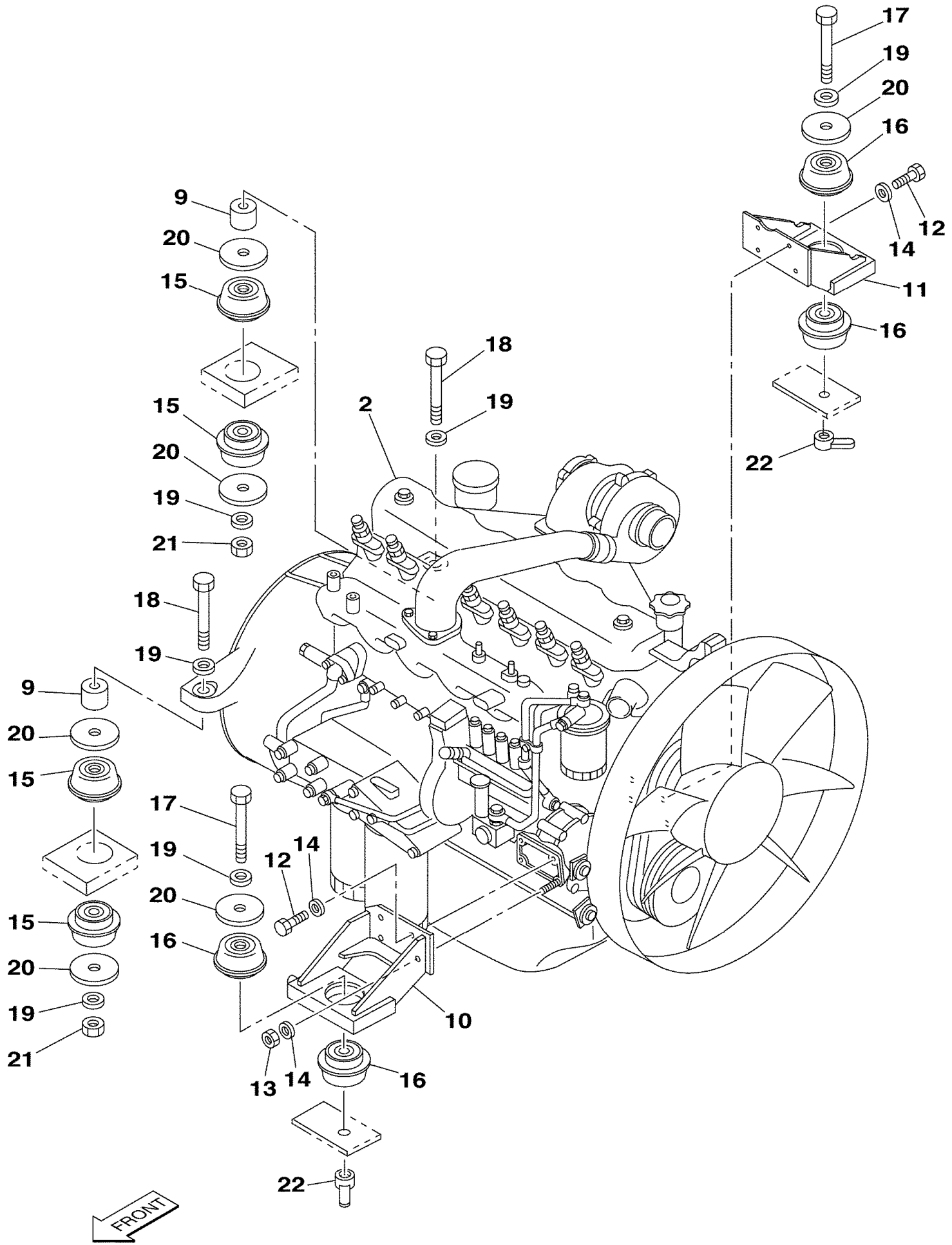




PARTS CATALOGUE

CX240
CASE CRAWLER EXCAVATOR

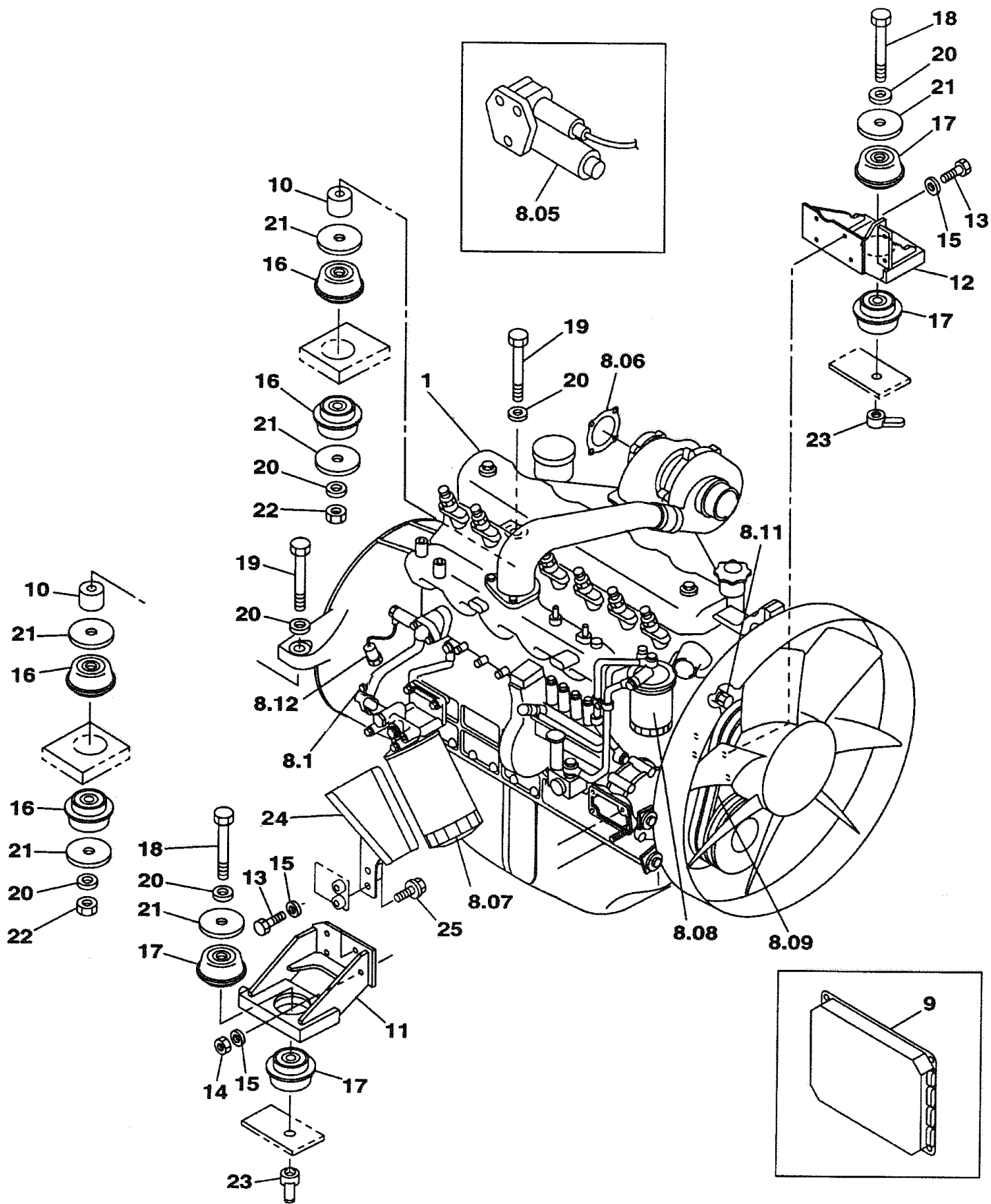


CX240 CASE CRAWLER EXCAVATOR (EUROPE)

02-003-00(01) ENGINE MOUNTING - ENGINE

Ref	Part Number	Qty	Description
2	KBH0878	1	MOTOR, , See Page(s) 02-015-00-01 To 02-045-00-01, 03-009-00-01 To 03-025-00-01, 04-027-00-01To 04-043-00-01
9	167984A1	2	SPACER,
10	KRH1341	1	SUPPORT,
11	KHH0485	1	SUPPORT,
12	159657A1	7	BOLT, , M10 x 20; 10.9
13	153604A1	1	NUT,
14	150409A1	8	WASHER, , 10,5 x 21 x 3,2 mm
15	KRH1225	4	RUBBER BLOCK,
16	KRH1226	4	RUBBER BLOCK,
17	827-16140	2	BOLT, Hex, M16 x 140, 10.9, , M16 x 140; 10.9
18	828-16210	2	BOLT, Hex, M16 x 210, 10.9, , M16 x 210; 10.9
19	150814A1	6	WASHER,
20	KRH1256	6	PLATE,
21	829-1416	2	NUT, M16, CI 10, , M16; 10
22	KRH1251	2	NUT, , M16

CX240 LC/LR/NLC DCH24B0101 To DCH24B0400



CX240 CASE CRAWLER EXCAVATOR (EUROPE)

02-003-00(02) ENGINE MOUNTING - ENGINE

Ref	Part Number	Qty	Description
1	KBH1009	1	ENGINE, , Consists Of Ref. Numbers 8.14 To 9, Also Pages 02-015-00-01 To 02-045-00-01, 03-009-00-01 To 03-027-00-01, 04-027-00-01 To 04-043-01-01
8.05	REF	1	INSTRUCTION, Motor, See Page(s) 04-029-00-01 Ref. 1
8.06	REF	1	INSTRUCTION, Gasket, See Page(s) 02-005-00-01 Ref. 12
8.07	REF	1	INSTRUCTION, Oil Filter, See Page(s) 02-029-01-01 Ref.2
8.08	REF	1	INSTRUCTION, Fuel Filter, See Page(s) 03-011-00-01 Ref. 1
8.09	REF	1	INSTRUCTION, Belt, See Page(s) 02-015-00-01 Ref. 7
8.1	REF	1	INSTRUCTION, Sensor, Temperature, See Page(s) 04-027-00-01 Ref. 7
8.11	REF	1	INSTRUCTION, Sensor, Water Temperature, See Page(s) 04-027-00-01 Ref. 16
8.12	REF	1	INSTRUCTION, Switch, Oil Pressure, See Page(s) 04-027-00-01 Ref. 6
9	REF	1	INSTRUCTION, Controler, See Page(s) 04-027-00-01 Ref. 14
10	167984A1	2	SPACER,
11	KRH1341	1	SUPPORT,
12	KHH0485	1	SUPPORT,
13	159657A1	7	BOLT, M10 x 1.25 x 25
14	153604A1	1	NUT, M10 x 1.25
15	150409A1	8	WASHER, W M 10
16	KRH1225	4	RUBBER BLOCK,
17	KRH1226	4	RUBBER BLOCK,
18	827-16140	2	BOLT, Hex, M16 x 140, 10.9, M16 x 140
19	828-16210	2	BOLT, Hex, M16 x 210, 10.9, M16 x 210
20	150814A1	6	WASHER,
21	KRH1256	6	PLATE,
22	829-1416	2	NUT, M16, CI 10, N M16
23	KRH1251	2	NUT, M16
24	KHH0548	1	SUPPORT,
25	166052A1	2	BOLT, M10 x 25

CX240 LC/LR/NLC DCH24B0401 And After

Thank you so much for reading.
Please click the “Buy Now!”
button below to download the
complete manual.



After you pay.

You can download the most
perfect and complete manual in
the world immediately.

Our support email:

ebooklibonline@outlook.com