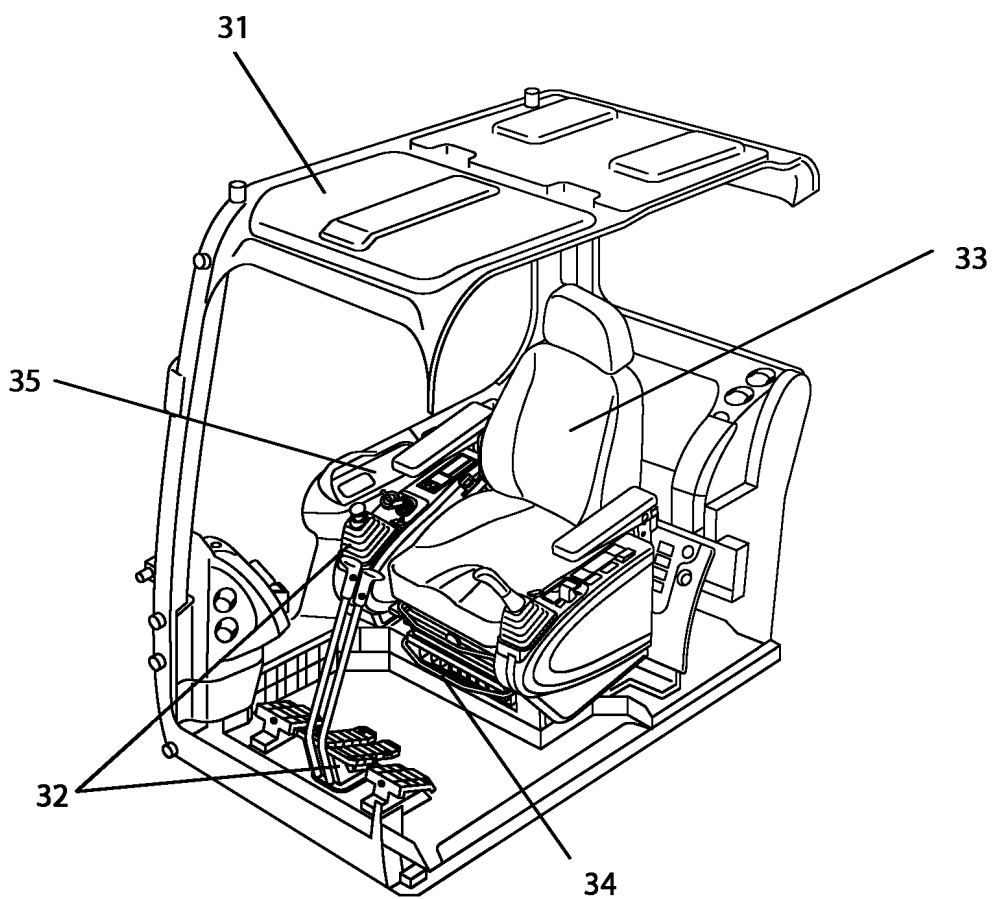
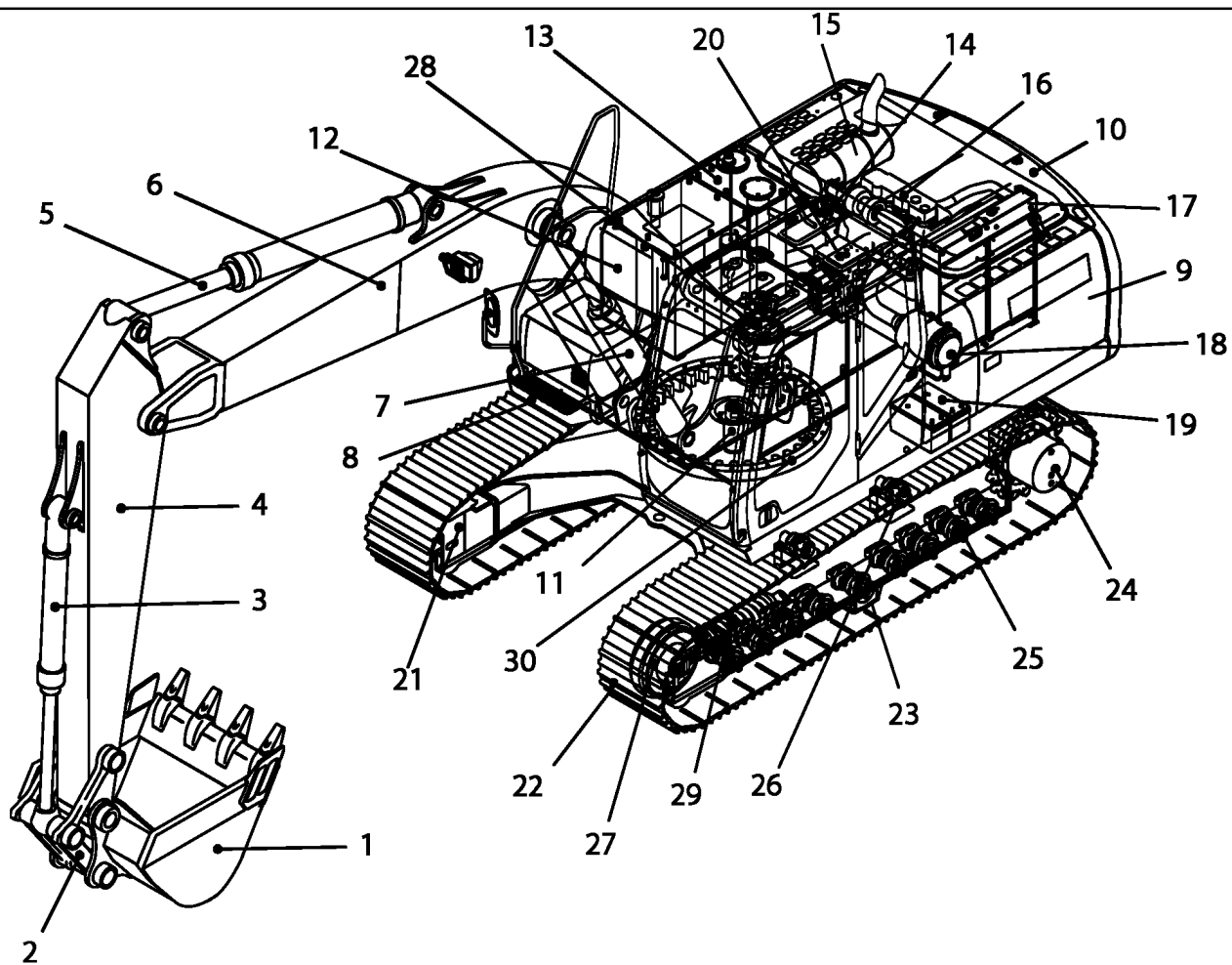




PARTS CATALOGUE

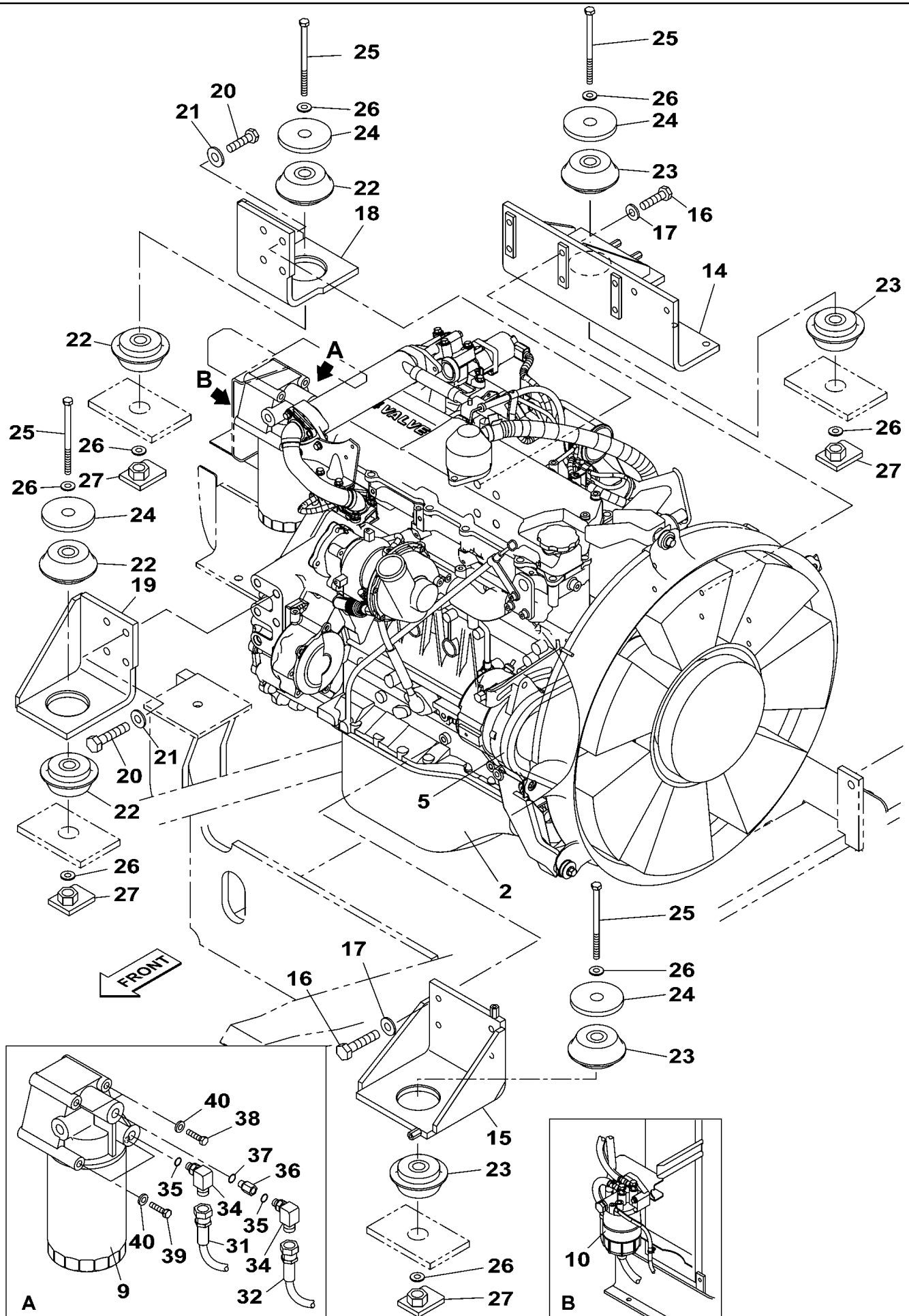
CRAWLER EXCAVATOR
CX290B



CX290B CRAWLER EXCAVATOR - TIER III (EUROPE) (1/07-)

00-001-00(01) COMPONENT INDEX

Ref	Part Number	Qty	Description
1		1	BUCKET - See Figures 09-310-00 01 To 09-315-00 01
2		1	BUCKET CONTROL See Figure 09-300-00 01
3		1	BUCKET CYLINDER - See Figures 08-020-00 01, 08-303-00 01
4		1	DIPPER - See Figures 09-200-00 01
5		1	DIPPER CYLINDER - See Figures 08-018-00 01, 08-019-00 01, 08-302-00 1, 08-302-001 01
6		1	MONOBLOCK BOOM - See Figures 09-100-00 01, 09-100-01 01
7		1	BOOM CYLINDER - See Figures 08-012-00 01 To 08-016-00 01, 08-300-00 01 To 08-301-01 01
8		1	UPPERSTRUCTURE CHASSIS - See Figures 09-002-00 01, 09-003-00 01
9		1	COWLING - See Figures 09-005-00 01 To 09-008-01 01
10		1	COUNTERWEIGHT - See Figure 09-004-00 01
11		1	SWING JOINT - See Figure 07-010-00 01
12		1	FUEL TANK, FUEL SYSTEM - See Figures 03-001-00 01 To 03-042-01 01
13		1	HYDRAULIC RESERVOIR, HYDRAULIC SYSTEM - See Figures 08-001-00 01, 08-004-00 01 To 08-046-00 01
14		1	HYDRAULIC PUMP - See Figures 08-002-00 01, 08-003-00 01
15		1	EXHAUST ENGINE - See Figure 02-003-00 01
16		1	ENGINE - See Figures s 02-001-00 01, 02-005-01 01 To 02-110-01 01
17		1	RADIATOR - See figures 02-004-00 01, 02-004-01 01
18		1	AIR FILTRATION - See figure 02-002-00 01
19		1	BATTERIES, ELECTRICAL SYSTEM - See figures 04-001-00 01 To 04-815-02 01
20		1	CONTROL VALVE - See figure 08-200-00 01
21		1	UNDERCARRIAGE, HYDRAULIC CIRCUIT For CX290B LC- See Figures 05-001-00 01, 07-001-00 01
21		1	UNDERCARRIAGE, HYDRAULIC CIRCUITFor CX290B NLC - See Figures 05-001-01 01, 07-001-01 01
22		1	TRACK FOOT STEP - See Figures 05-006-00 01 To 05-010-00 01
23		1	GUIDE, CHAIN - See Figures 05-011-00 01, 05-011-01 01
24		1	TRAVEL MOTOR AND REDUCTION GEAR - See Figures 06-001-00 01, 06-010-00 01, 07-011-00 01, 07-012-00 01
25		1	ROLLER LOWER - See Figure 05-003-00 01
26		1	ROLLER UPPER - See Figure 05-002-00 01
27		1	GUIDE PULLEY - See Figure 05-004-00 01
28		1	SWING MOTOR-DRIVE REDUCTION GEAR - See Figures 06-002-00 01, 08-220-00 01
29		1	TENSION DAMPER - See Figure 05-005-00 01
30		1	SWING COMPONENTS, LUBRICATION CIRCUIT - See Figure 09-001-00 01
31		1	OPERATORS COMPARTMENT, CAB - See Figures 04-011-00 01, 09-029-00 01 To 09-032-00 01
32		1	OPERATORS COMPARTMENT, LEVER, CONTROL - See Figure 09-009-00 01
33		1	OPERATORS COMPARTMENT - SEAT AND CONTROL ARM MOUNTING - See Figures 09-017-00 01 To 09-023-00 01
34		1	CAB AIR CONDITIONING - Sees Figures 09-025-00 01 To 09-028-00 01
35		1	SIDE INSTRUMENT PANEL - See Figure 09-029-00 01



Thank you so much for reading.
Please click the “Buy Now!”
button below to download the
complete manual.



After you pay.

You can download the most
perfect and complete manual in
the world immediately.

Our support email:

ebooklibonline@outlook.com