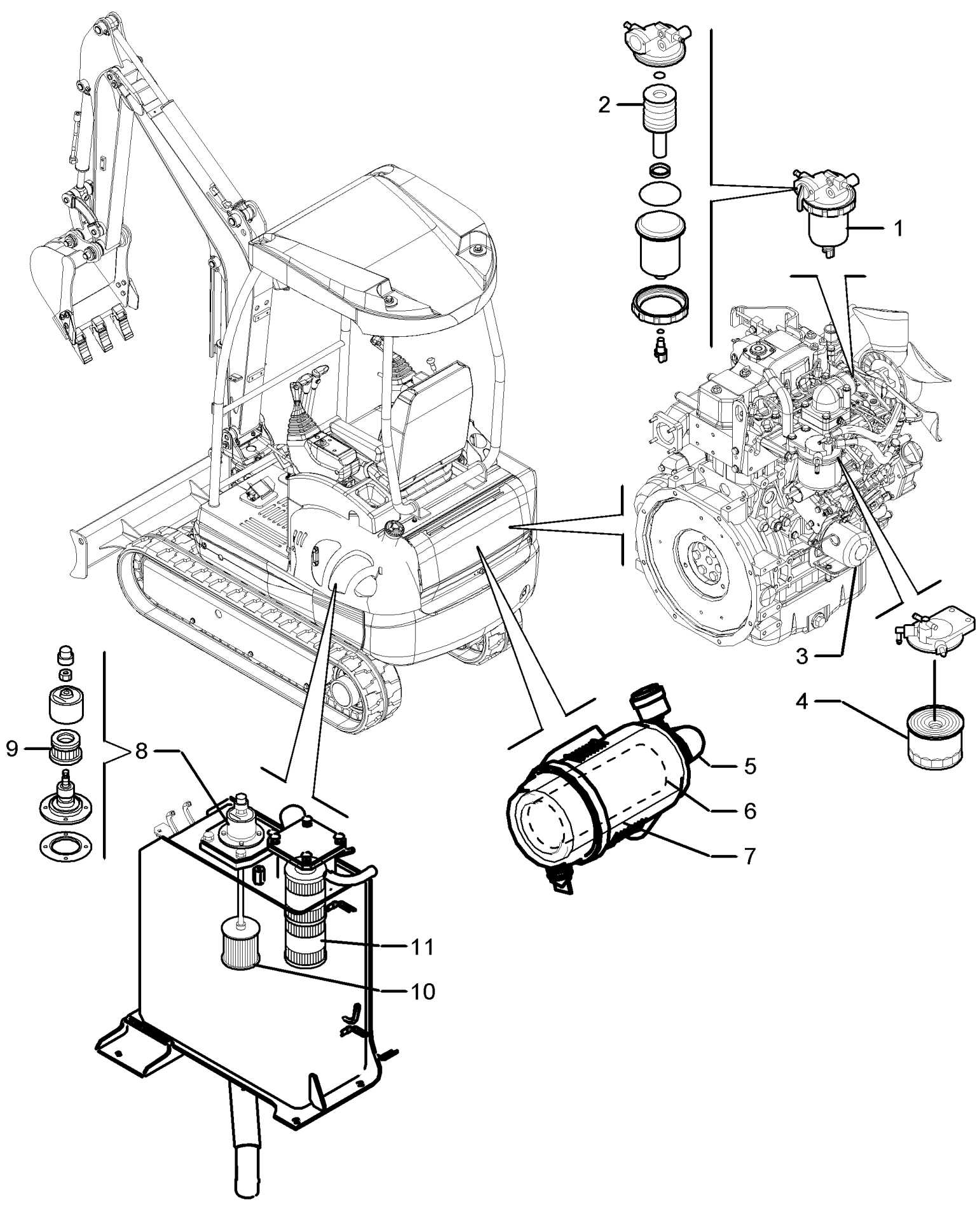




# PARTS CATALOGUE

CX50B  
CASE MINI CRAWLER EXCAVATOR  
(N5GN01157 AND AFTER)

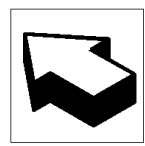
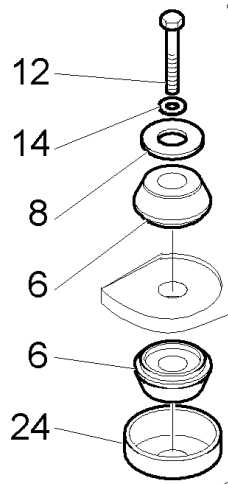
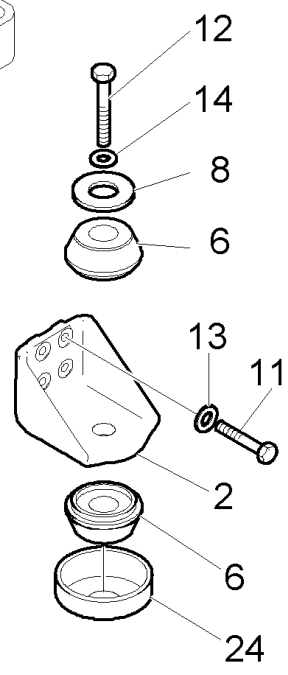
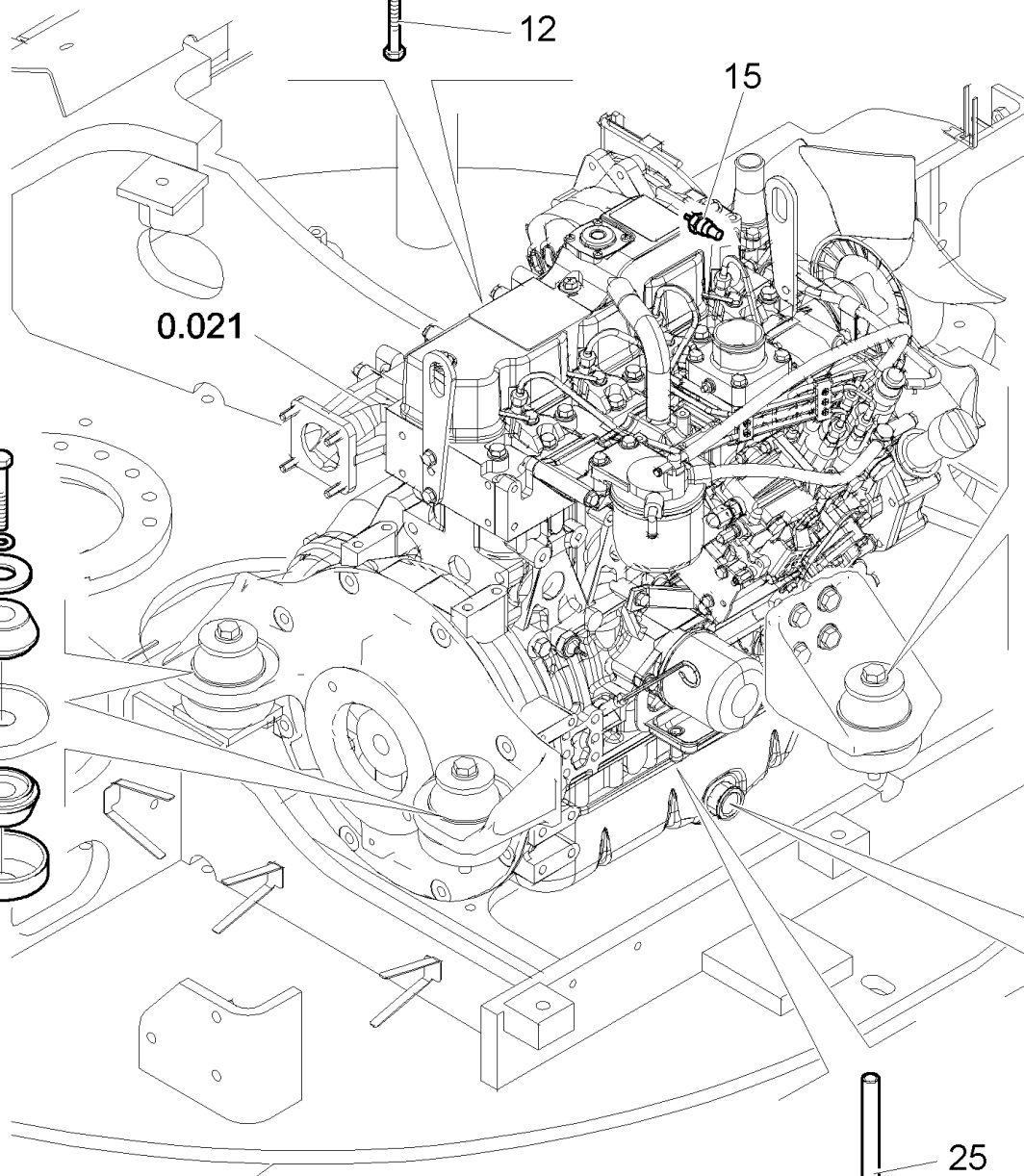
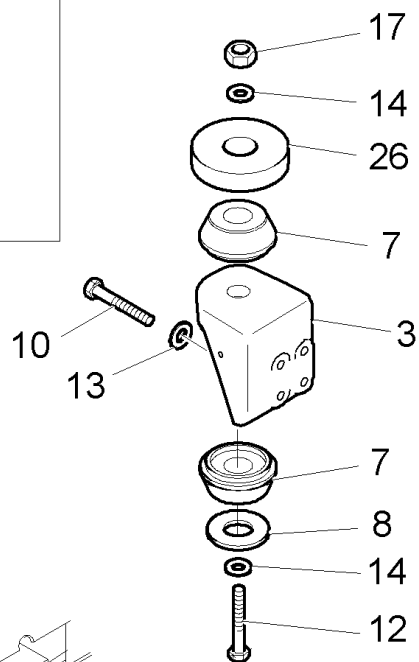
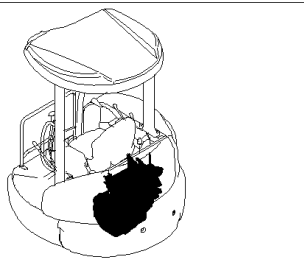


## CX50B MINI CRAWLER EXCAVATOR (N5GN01157 &amp; AFTER) (6/05- )

## 0.000(00) MAINTENANCE PARTS

Ref	Part Number	Qty	Description
1	72280600	1	SEPARATOR, , See Page 0.021 - 0.203
2	72280430	1	FILTER, COOLANT, , See Page 0.021 - 0.203
3	72285425	1	FILTER, ENGINE OIL, , See Page 0.305
4	72280422	1	FILTER, FUEL, , See Page 0.021 - 0.203
5	72283516	1	AIR CLEANER, , See Page 0.001A
6	72281613	1	FILTER, ELEMENT, , See Page 0.001A
7	72281617	1	FILTER, ELEMENT, , See Page 0.001A
8	72284639	1	PLUG, , See Page 1.020 02
9	72281517	1	BREATHER, , See Page 1.020 02
10	72282237	1	STRAINER, ELEMENT, , See Page 1.020 02
11	72281486	1	FILTER, HYDRAULIC OIL,

0.000(01) ENGINE INSTALLATIONS



## CX50B MINI CRAWLER EXCAVATOR (N5GN01157 &amp; AFTER) (6/05- )

## 0.000(01) ENGINE INSTALLATIONS

Ref	Part Number	Qty	Description
2	72283479	1	BRACKET,
3	72283480	1	BRACKET,
6	72280520	6	MOUNTING, RUBBER,
7	72283481	2	MOUNTING, RUBBER,
8	72951034	4	WASHER,
10	11106234	4	SCREW, Hex, M10 x 25, 10.9, Full Thd,
11	11106434	4	SCREW, Hex, M10 x 30, 10.9, Full Thd,
12	11114634	4	SCREW, TE M12x120
13	12626221	8	WASHER, Ш10
14	13550521	6	WASHER, LOCK, Ш12
15	72273958	1	SENSOR,
17	11702924	2	NUT, M12
23	72280522	1	SET OF PARTS,
23A	72280525	1	O-RING,
24	72280528	3	COVER,
25	72280529	1	HOSE,
26	72285248	1	COVER,

Thank you so much for reading.  
Please click the “Buy Now!”  
button below to download the  
complete manual.



After you pay.

You can download the most  
perfect and complete manual in  
the world immediately.

Our support email:

[ebooklibonline@outlook.com](mailto:ebooklibonline@outlook.com)