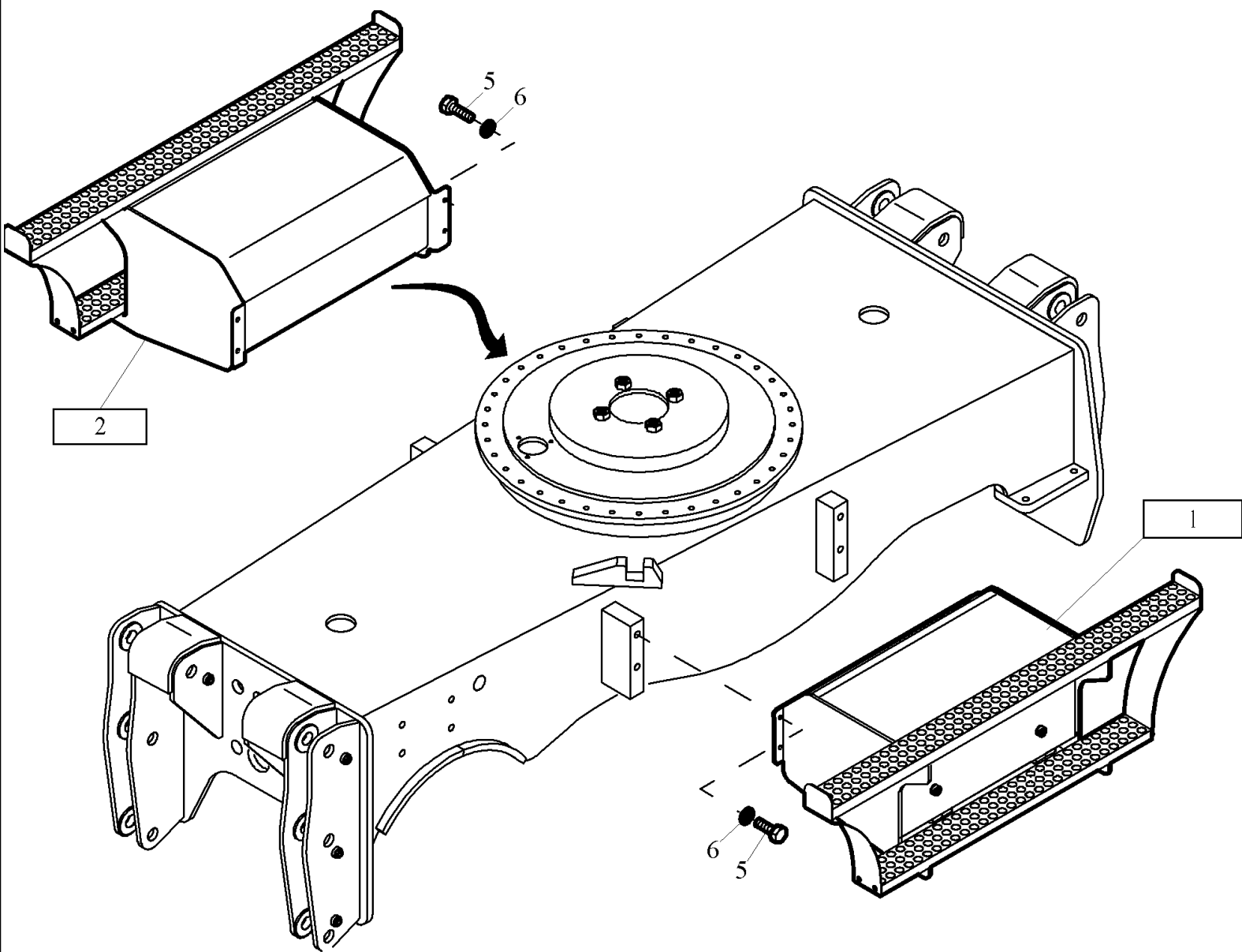




PARTS CATALOGUE

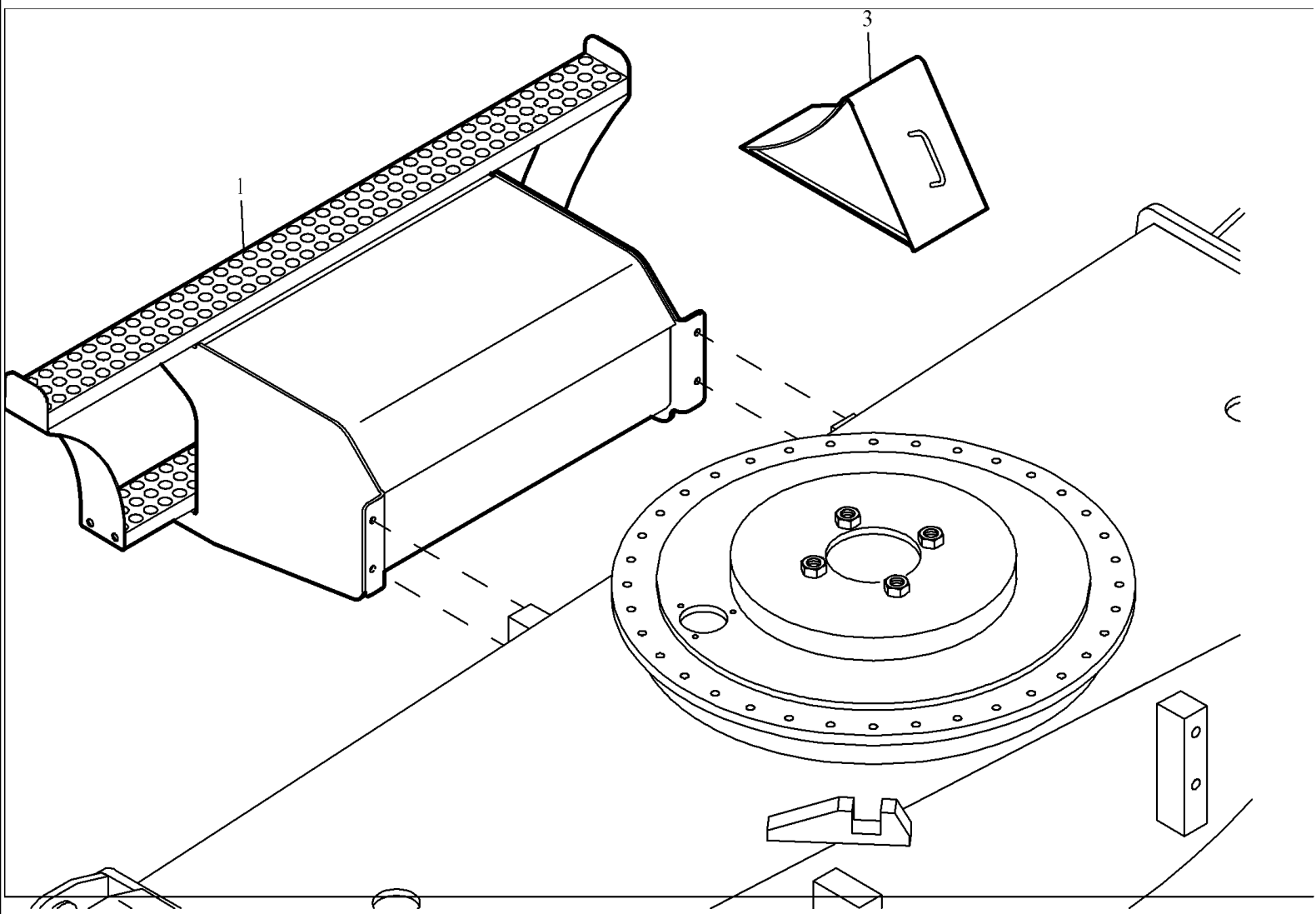
WX165



WX165 WHEELED EXCAVATOR (2/04-)

01.810(004) STEPS INSTALL.MATERIAL (S/N 471043-UP)

Ref	Part Number	Qty	Description
1	NS	1	SEE FIGURE 01.620/003
2	NS	1	SEE FIGURE 01.812/001
5	614-16030	8	
6	2974088	8	



WX165 WHEELED EXCAVATOR (2/04-)

01.812(001) STEPS COMPLETE (S/N 471043-UP)

Ref	Part Number	Qty	Description
1	8919695	1	
3	2186414	1	

Thank you so much for reading.
Please click the “Buy Now!”
button below to download the
complete manual.



After you pay.

You can download the most
perfect and complete manual in
the world immediately.

Our support email:

ebooklibonline@outlook.com