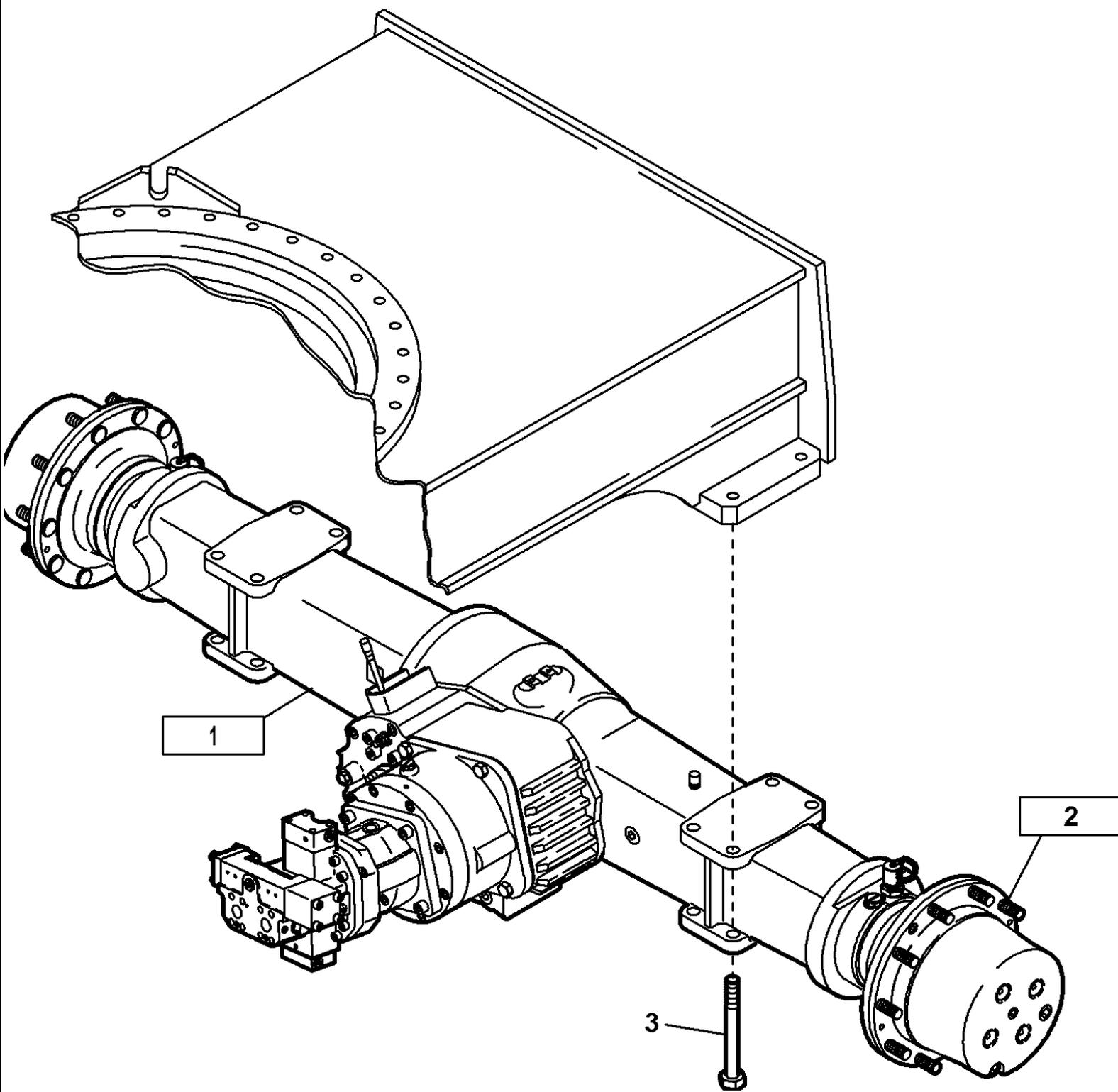




PARTS CATALOGUE

WX210
WHEELED EXCAVATOR



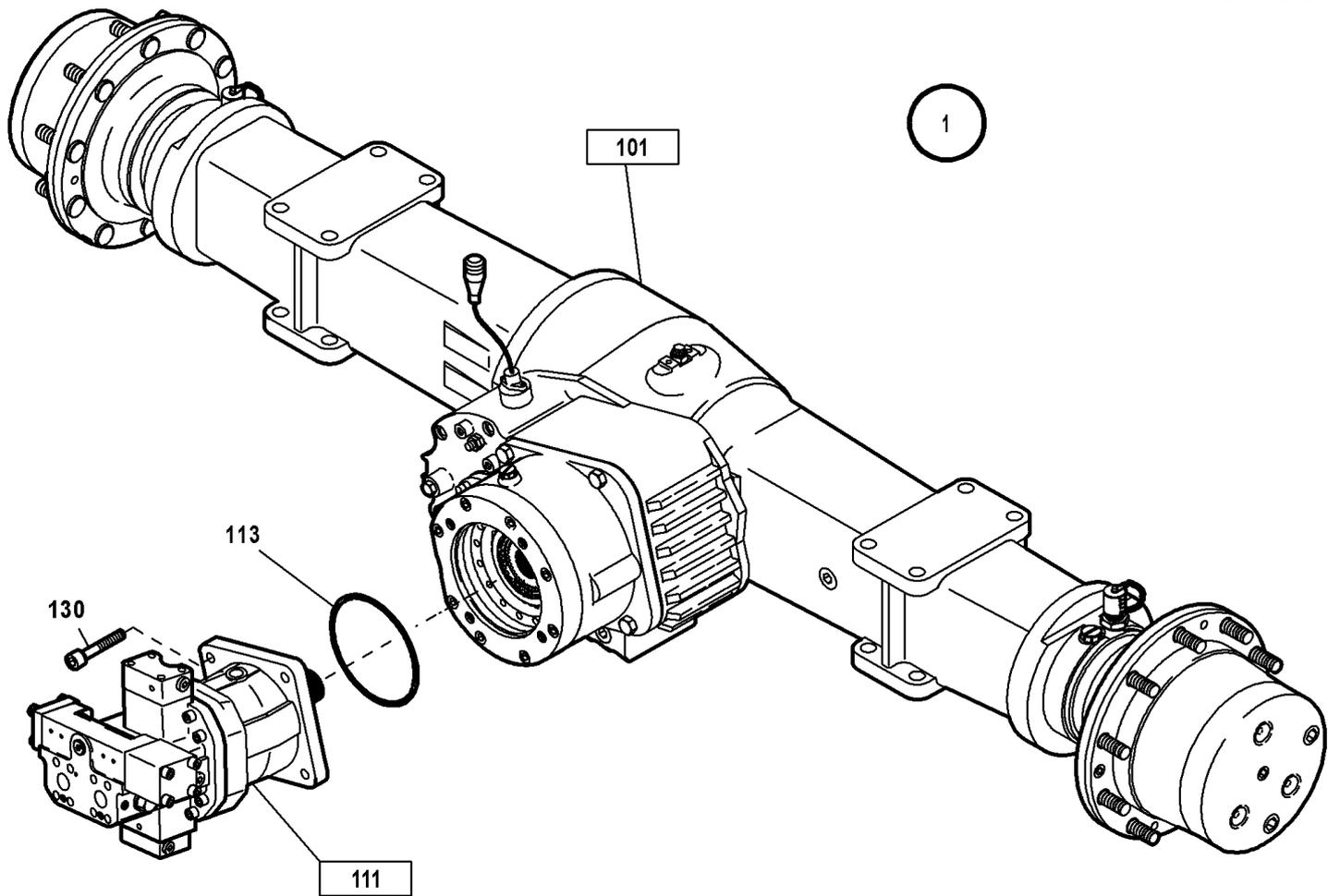
WX210 WHEELED EXCAVATOR (3/04-)

02.060(2991994000) RIGID AXLE INSTALL.MATERIAL 20KM/H

Ref	Part Number	Qty	Description
1	NS	1	RIGID AXLE MOUNTING PARTS 20KM/H SEE FIGURE 02.061/2991800
2	NS	1	WHEEL MOUNTING SEE FIGURE 05.110/2216111
3	422551	8	HEXAGON BOLT
990	8919306	AR	RIGID AXLE

2992642

02.061



2988188.001

WX210 WHEELED EXCAVATOR (3/04-)

02.061(2988188001) RIGID AXLE MOUNTING PARTS 30KM/H

Ref	Part Number	Qty	Description
1	2815511	1	AXLE
101	NS	1	RIGID AXLE SEE FIGURE 02.062/2986351003
111	NS	1	AXIAL PISTON MOTOR INSTALL.MATERIAL 30KM/H SEE FIGURE 22.120/2984533001
113	2900489	1	O-RING
130	864-16045	4	CYL.HEAD SCREW
990	2815511	AR	AXLE

2992642

Thank you so much for reading.
Please click the “Buy Now!”
button below to download the
complete manual.



After you pay.

You can download the most
perfect and complete manual in
the world immediately.

Our support email:

ebooklibonline@outlook.com