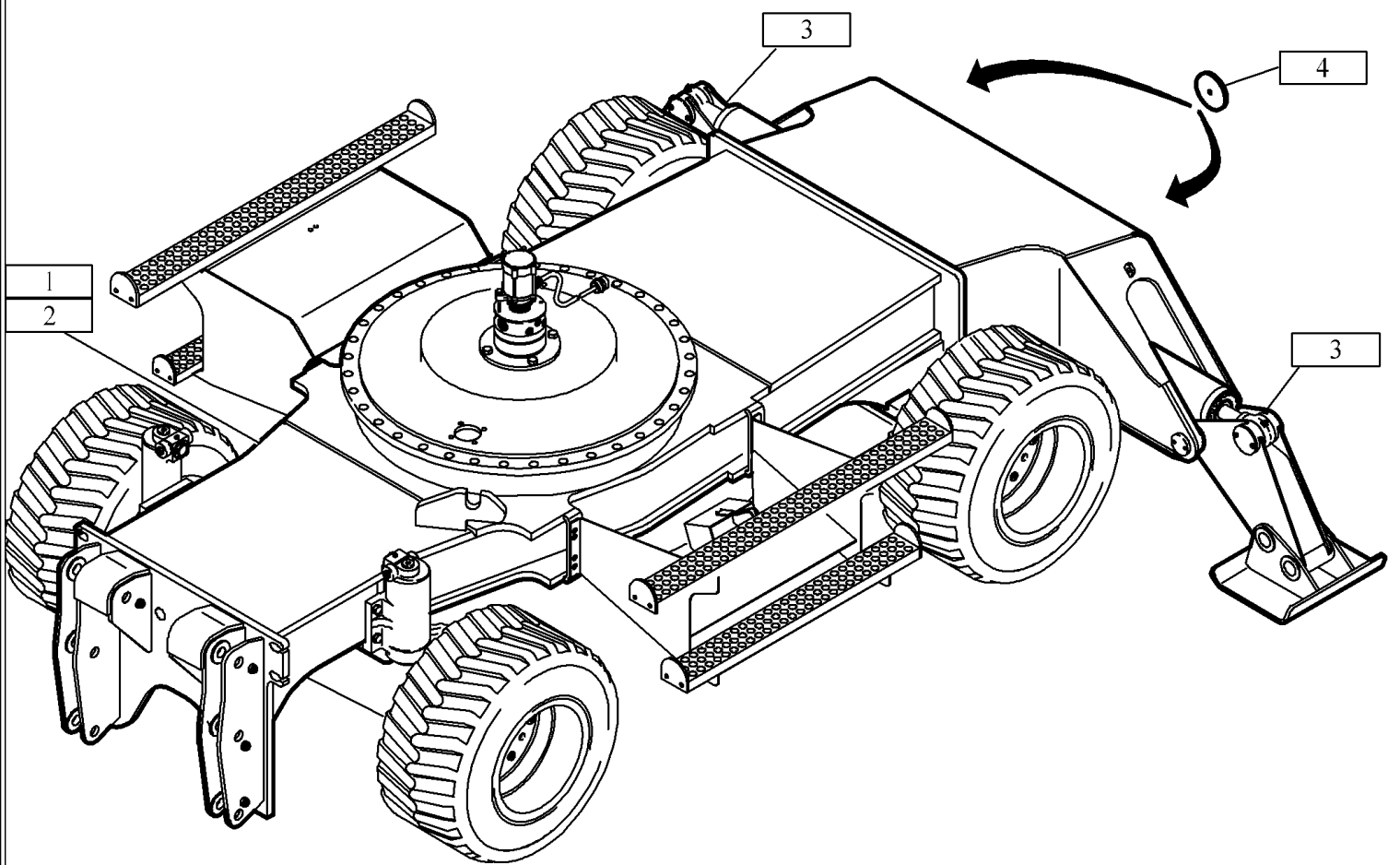




PARTS CATALOGUE

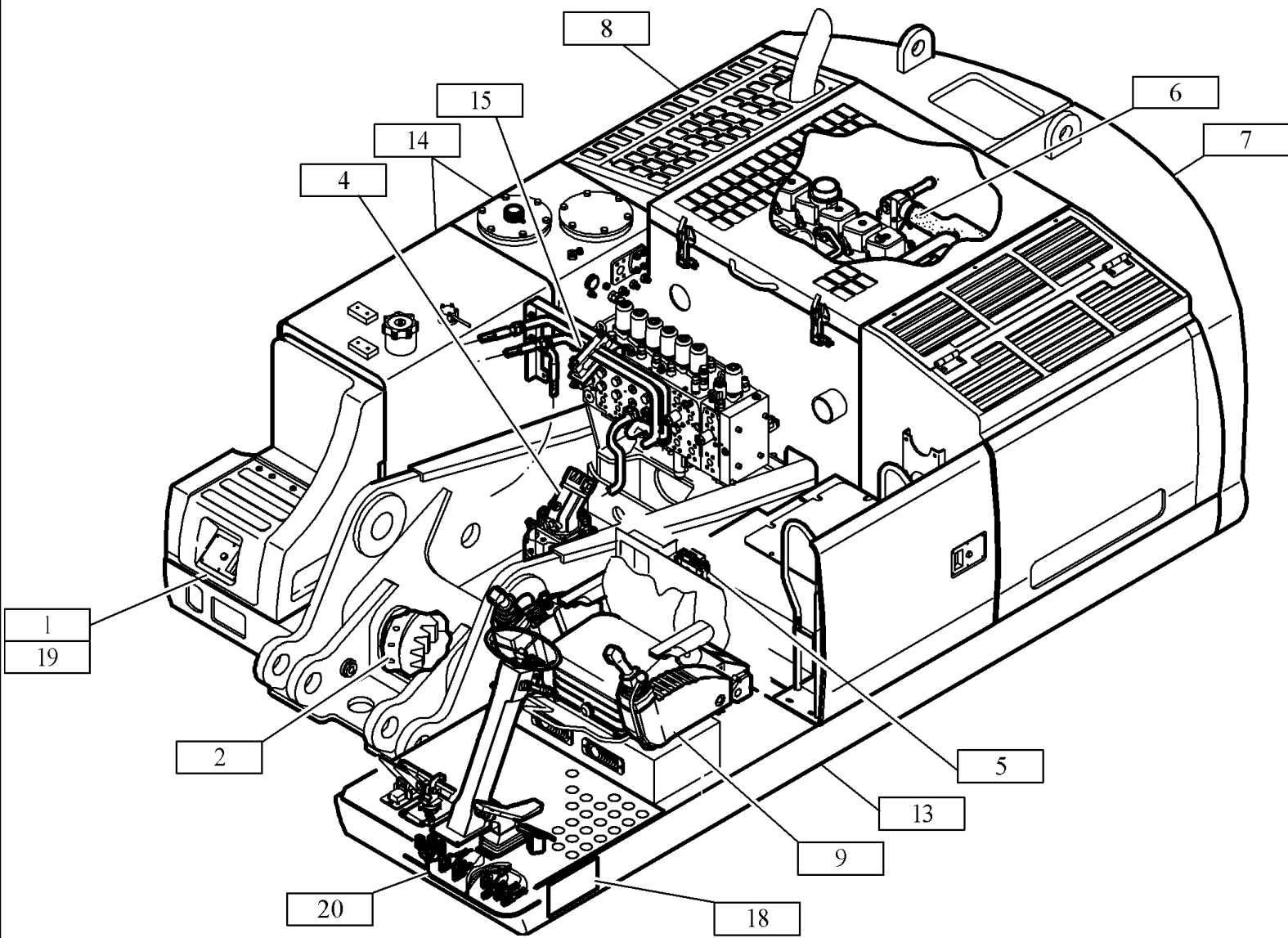
WX240



WX240 WHEELED EXCAVATOR (4/04-)

00.200(001) LOWER CARRIAGE EXCAVATOR (S/N 303501-UP)

Ref	Part Number	Qty	Description
1	NS	1	SEE FIGURE 01.200/001
2	NS	1	SEE FIGURE 01.200/002
3	NS	1	SEE FIGURE 04.010/001
4	NS	2	SEE FIGURE 35.050/001



WX240 WHEELED EXCAVATOR (4/04-)

00.300(001) UPPER CARRIAGE EXCAVATOR (S/N 303501-UP)

Ref	Part Number	Qty	Description
1	NS	1	SEE FIGURE 92.020/001
2	NS	1	SEE FIGURE 11.012/001
4	NS	1	SEE FIGURE 16.030/001
5	NS	1	SEE FIGURE 32.150/001
6	NS	1	SEE FIGURE 13.010/001
7	NS	1	SEE FIGURE 12.010/001
8	NS	1	SEE FIGURE 36.005/001
9	NS	1	SEE FIGURE 34.010/001
13	NS	1	SEE FIGURE 01.300/002
14	NS	1	SEE FIGURE 10.010/001
15	NS	1	SEE FIGURE 20.030/001
18	NS	1	SEE FIGURE 91.010/001
19	NS	1	SEE FIGURE 92.010/001
20	NS	1	SEE FIGURE 32.110/001

Thank you so much for reading.
Please click the “Buy Now!”
button below to download the
complete manual.



After you pay.

You can download the most
perfect and complete manual in
the world immediately.

Our support email:

ebooklibonline@outlook.com