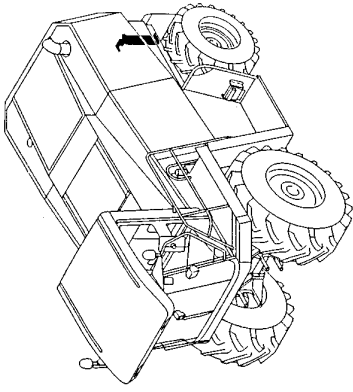
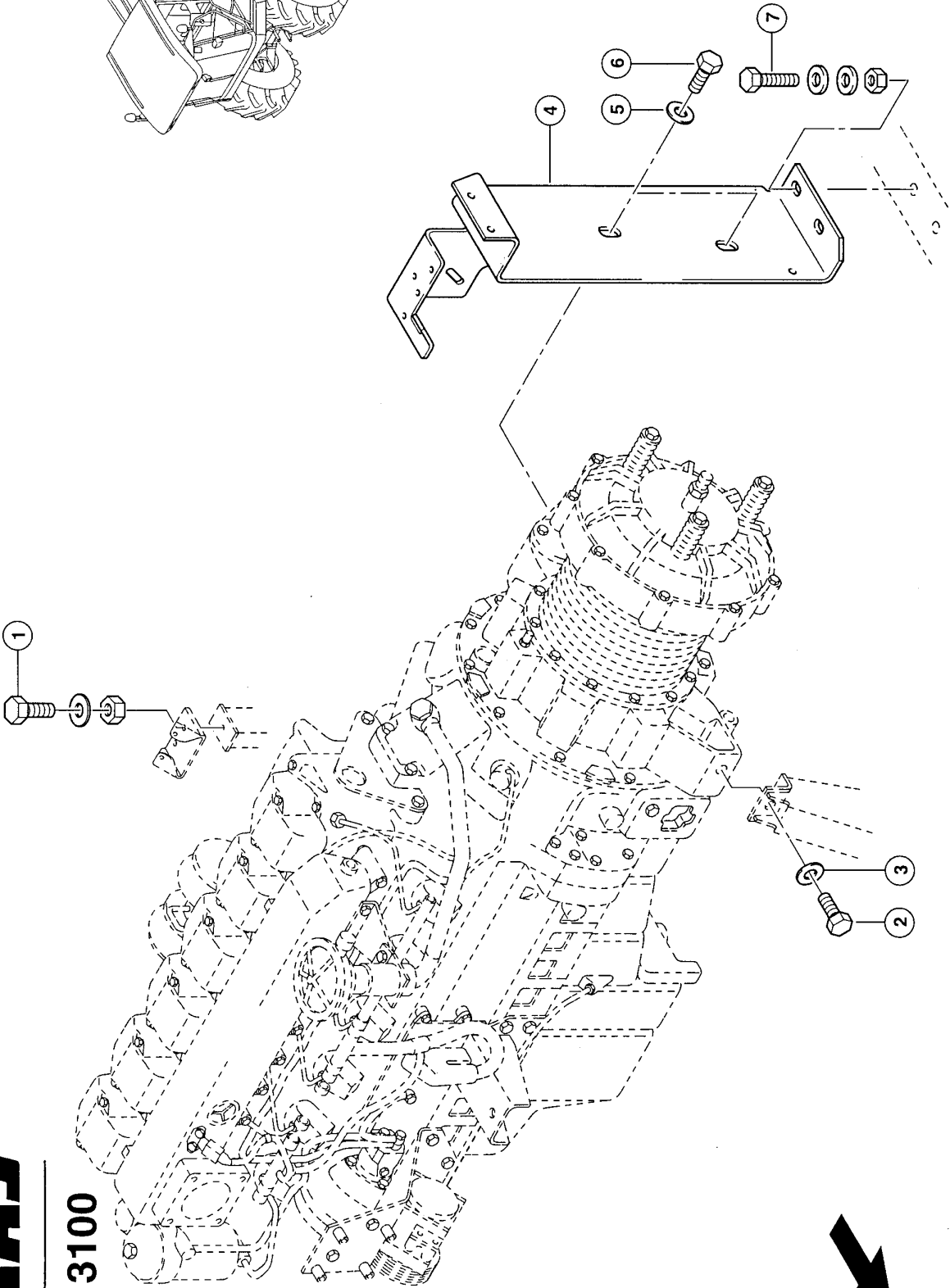


272A



05425Z00  
JAGUAR 8700/8550



CLAAS

BGZ 13100



125305

**MERCEDES OM 457 LA; ATTACHING MOTOR**

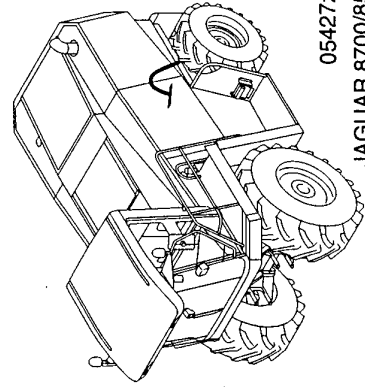
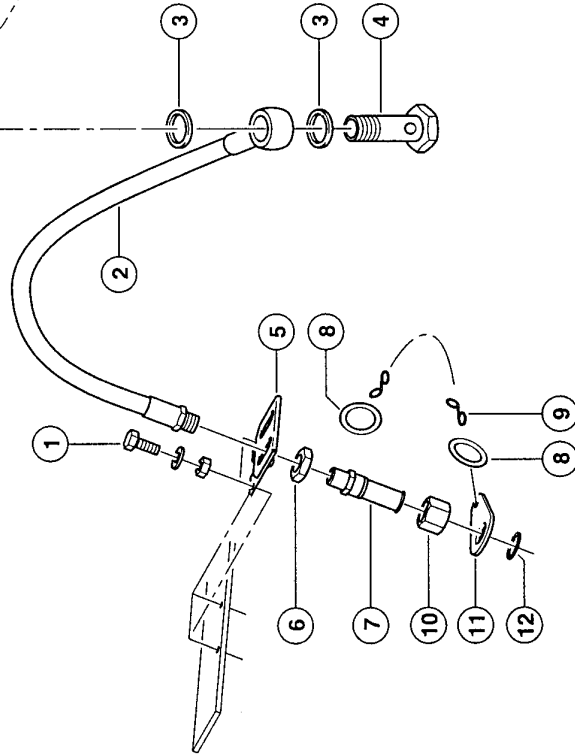
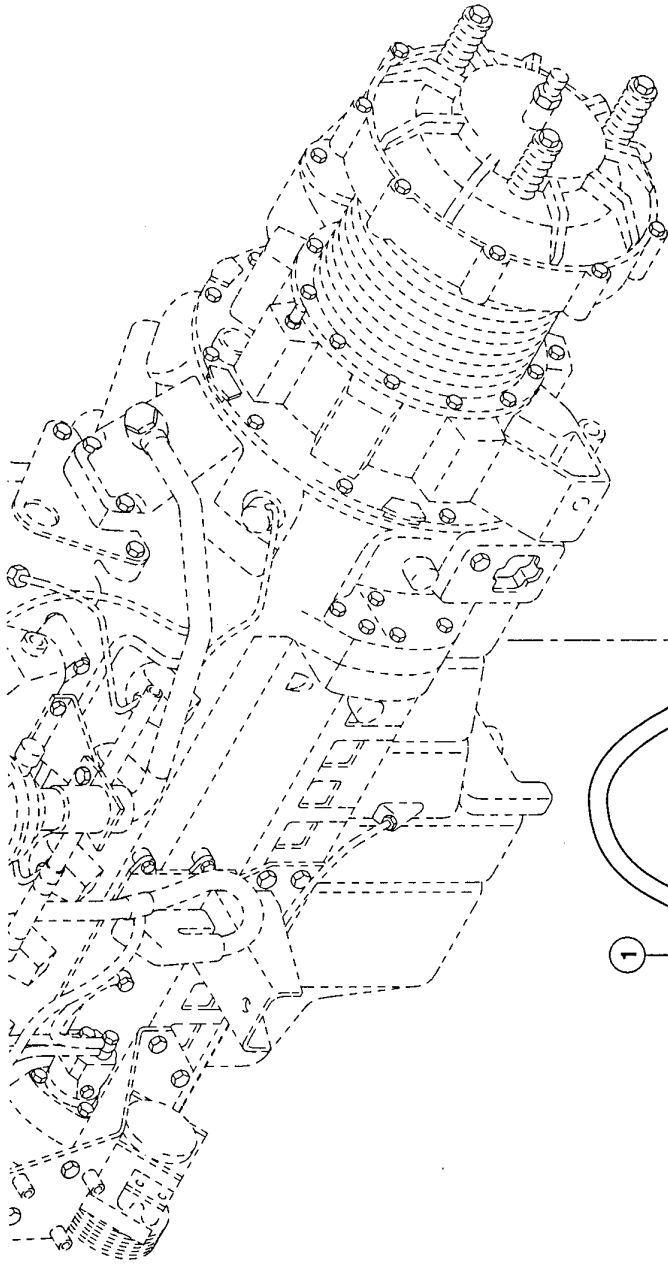
<b>Pos.</b>	<b>Part No.</b>	<b>Description</b>	<b>Dimension</b>	<b>Quantity</b>	<b>Conditions</b>
1	<b>00 0242 406 0</b>	HEXAGON HEAD BOLT	M20X40	2	
1	<b>00 0212 191 0</b>	CONTACT WASHER	A20	2	
1	<b>00 0237 521 0</b>	HEX.NUT	M20	2	
2	<b>00 0236 230 0</b>	HEXAGON HEAD BOLT	M16X35	1	
3	<b>00 0239 391 0</b>	CONTACT WASHER	A16	1	
4	<b>00 0068 899 6</b>	SUPPORT	5X350X640	1	
5	<b>00 0239 391 0</b>	CONTACT WASHER	A16	2	
6	<b>00 0233 441 0</b>	HEXAGON HEAD BOLT	M16X30-MKL	2	
7	<b>00 0237 572 0</b>	HEXAGON HEAD BOLT	M12X35	2	
7	<b>00 0236 172 0</b>	HEXAGONAL NUT	M12	2	
7	<b>00 0239 395 1</b>	CONTACT WASHER	B12	4	

**273A**

**CLAAS**

**BGZ 13100**

**Mercedes OM 457 LA**



05427200  
JAGUAR 8700/8550



125307

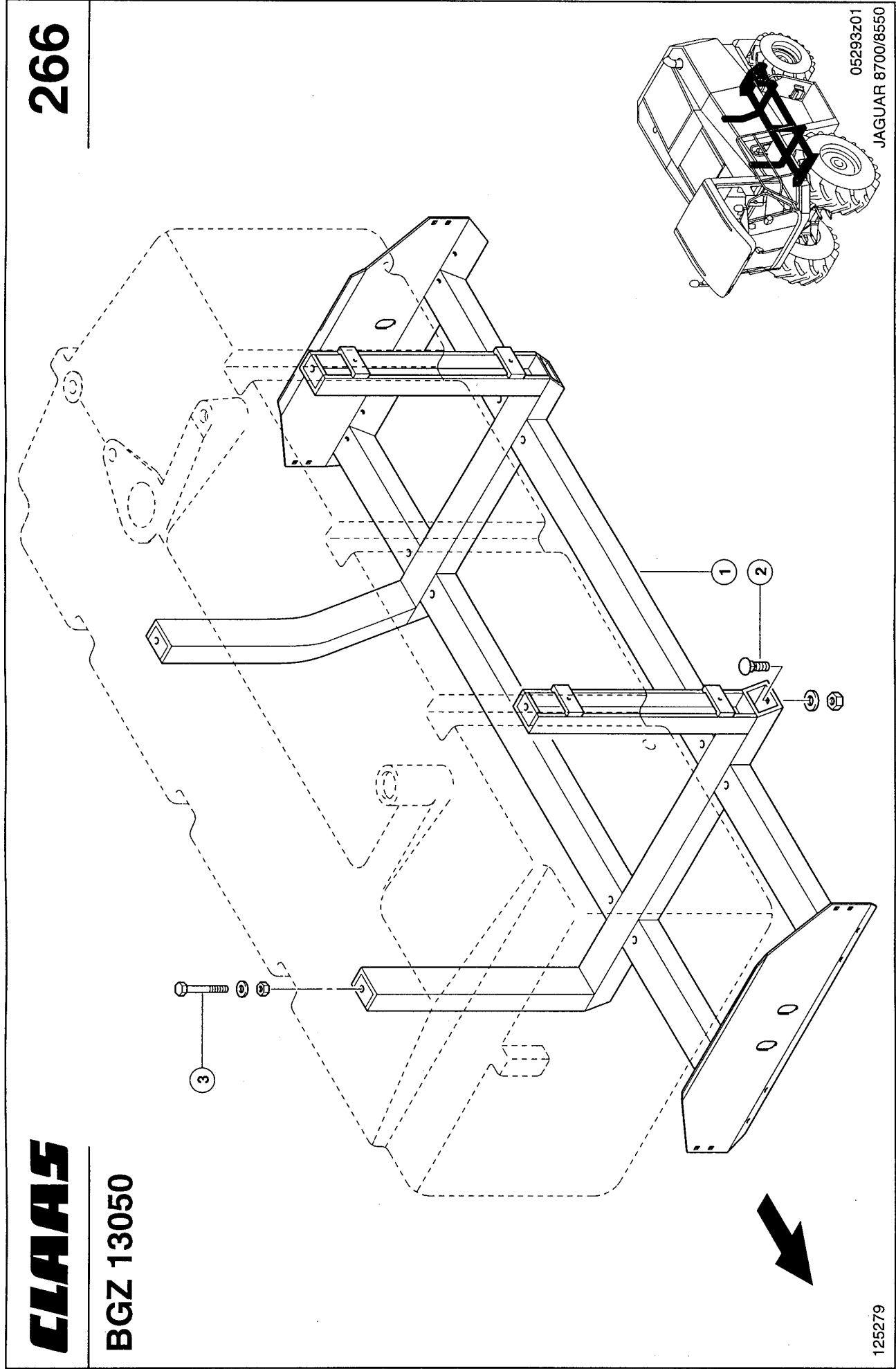
**MERCEDES OM 457 LA; OIL DRAIN HOSE**

<b>Pos.</b>	<b>Part No.</b>	<b>Description</b>	<b>Dimension</b>	<b>Quantity</b>	<b>Conditions</b>
1	<b>00 0236 200 0</b>	HEXAGON HEAD BOLT	M8X20	2	
1	<b>00 0236 170 0</b>	HEXAGONAL NUT	M8	2	
1	<b>00 0239 387 0</b>	CONTACT WASHER	A8-8,2X18X1,4	2	
2	<b>00 0069 040 0</b>	OIL DRAIN HOSE	2TE16 SAR26 830	1	
2	<b>00 0142 207 0</b>	OIL DRAIN HOSE		1	
3	<b>00 0238 268 1</b>	SEALING RING	D26X32X2	2	
3	<b>00 0633 032 1</b>	SEALING RING	D22X27X1,5	2	
4	<b>00 0215 393 0</b>	HOLLOW SCREW	22 - 3 - M26X1,5	1	
4	<b>00 0215 035 0</b>	HOLLOW SCREW	18 - 3 - M22X1,5	2	
5	<b>00 0668 879 0</b>	SUPPORT	3,0X0110X0126	1	
6	<b>00 0236 327 0</b>	HEXAGONAL NUT	M22X1,5	1	
7	<b>00 0077 528 1</b>	DRAIN FITTING	D18,1X51,5	1	
8	<b>00 0002 846 0</b>	RING	SPIRALFÖRMIG OFFEN2 16 X		
9	<b>00 0002 848 0</b>	KNOT CHAIN	1,8X 25X 6GL	1	
10	<b>00 0633 589 1</b>	UNION NUT	A3 L15	1	
11	<b>00 0077 529 0</b>	STRAP	1,0X0026X0041	1	
12	<b>00 0215 080 0</b>	SNAP RING	A 14	1	
12	<b>00 0067 335 0</b>	HOSE	M22/L1000	1	
12	<b>00 0067 336 0</b>	VALVE	M18X 1,5	1	

266

**CLAAS**

**BGZ 13050**



05293z01  
JAGUAR 8700/8550

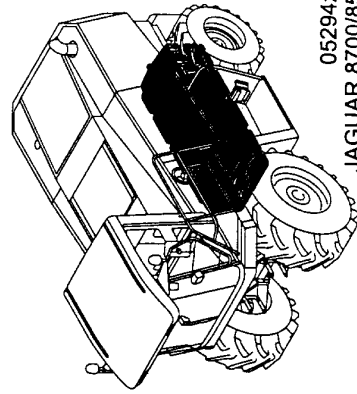
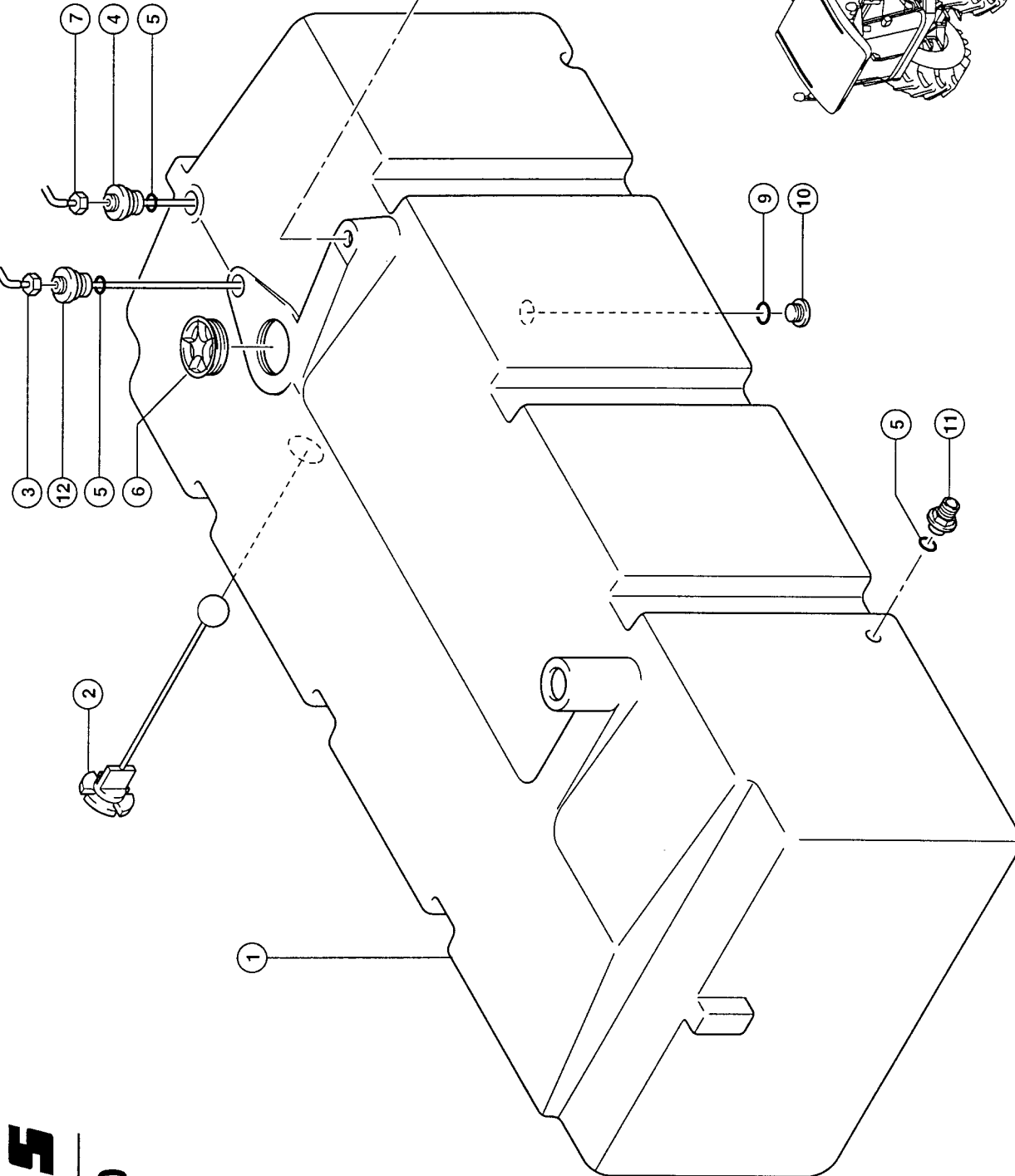


125279

**FUEL TANK, SUPPORT**

<b>Pos.</b>	<b>Part No.</b>	<b>Description</b>	<b>Dimension</b>	<b>Quantity</b>	<b>Conditions</b>
1	<b>00 0067 502 4</b>	TANK BASE		1	
1	<b>00 0068 289 6</b>	TANK BASE	GESCHW.	1	
2	<b>00 0242 389 0</b>	HEXAGON HEAD BOLT	M14X100	4	
2	<b>00 0236 173 0</b>	HEXAGONAL NUT	M16	4	
2	<b>00 0239 391 0</b>	CONTACT WASHER	A16	4	
3	<b>00 0242 398 0</b>	HEXAGON HEAD BOLT	M16X200	4	
3	<b>00 0236 173 0</b>	HEXAGONAL NUT	M16	4	
3	<b>00 0239 391 0</b>	CONTACT WASHER	A16	4	

267



05294z02  
JAGUAR 8700/8550

**CLAAS**

**BGZ 13050**



125280/02

**FUEL TANK**

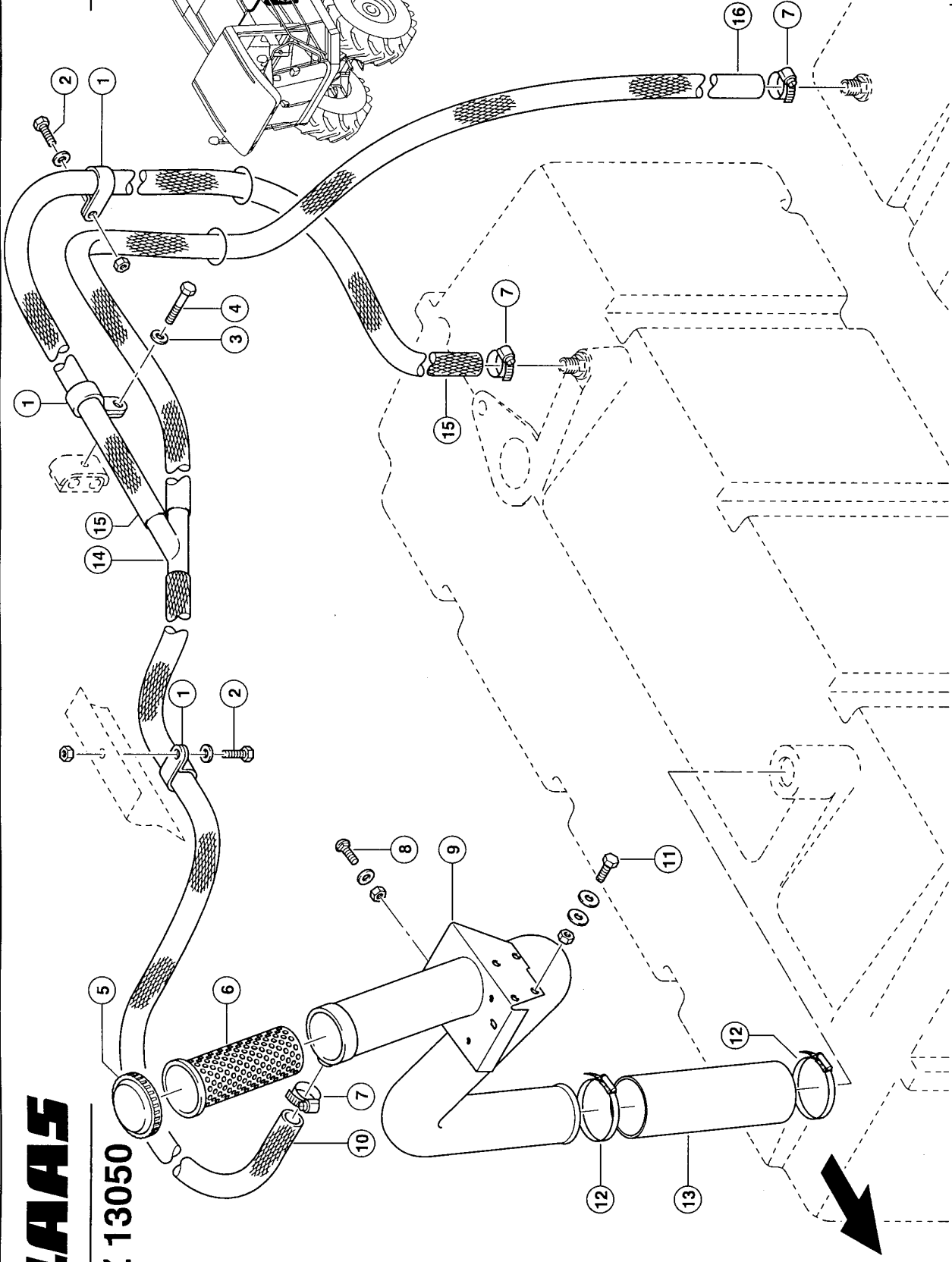
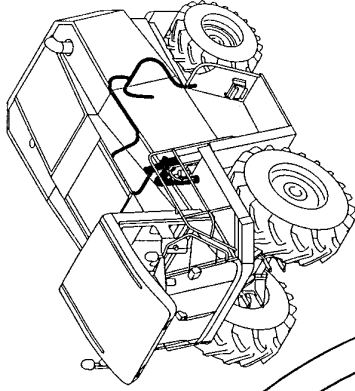
<b>Pos.</b>	<b>Part No.</b>	<b>Description</b>	<b>Dimension</b>	<b>Quantity</b>	<b>Conditions</b>
1	<b>00 0068 339 4</b>	FUEL TANK	920 L	1	
2	<b>00 0076 149 1</b>	LEVEL INDICATOR		1	
2	<b>00 0212 574 0</b>	O-RING	58 X4,0 -N	1	
3	<b>00 0068 697 1</b>	FUEL PIPE	12,5X1,25X1960	1	
4	<b>00 0068 397 1</b>	TUBE	GELOETET	1	
5	<b>00 0216 661 0</b>	O-RING	24X6 -N	4	
6	<b>00 0069 859 0</b>	SCREW COVER		1	
6	<b>00 0216 491 0</b>	O-RING	122X8 -N	1	
7	<b>00 0068 700 0</b>	FUEL PIPE	12,5X1,25X1310	1	
8	<b>00 0076 351 0</b>	CHUTE	D22XG 3/4Z	1	
9	<b>00 0238 209 0</b>	O-RING	17X2-N	1	
10	<b>00 0244 342 0</b>	SCREW PLUG	M18X1,5	1	
11	<b>00 0076 350 0</b>	CHUTE	D22XG 3/4Z	1	
12	<b>00 0069 895 0</b>	TUBE	GELOETET	1	
12	<b>00 0078 319 0</b>	END PIECE	D16,4	1	
12	<b>00 0174 981 1</b>	REPAIR KIT		1	



268

**CLAAS**

**BGZ 13050**



05295z01  
JAGUAR 8700/8550

125281

**FUEL SYSTEM**

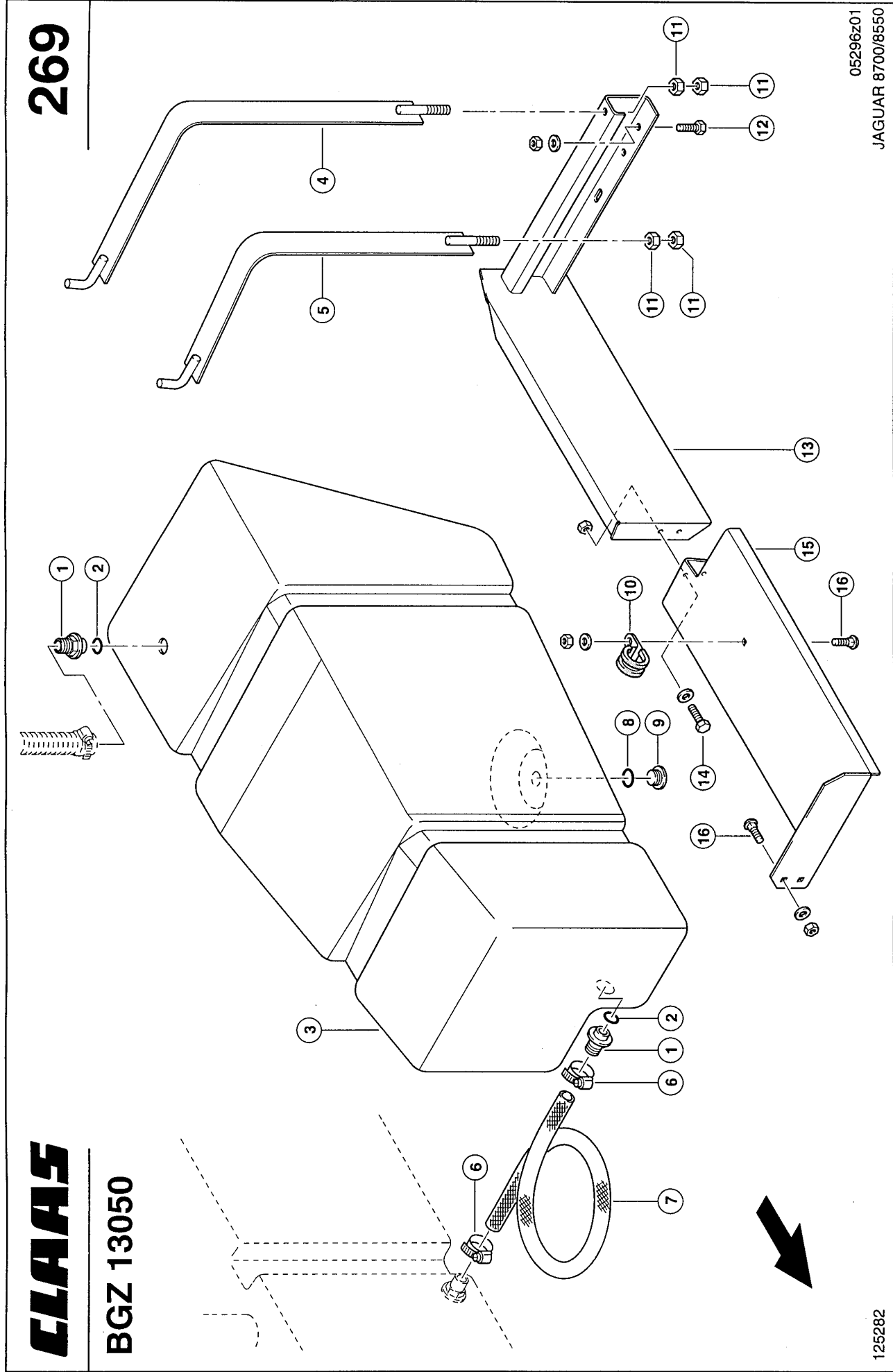
Pos.	Part No.	Description	Dimension	Quantity	Conditions
1	<b>00 0216 015 0</b>	CLAMP	A1-30X20	3	
2	<b>00 0236 200 0</b>	HEXAGON HEAD BOLT	M8X20	2	
2	<b>00 0236 170 0</b>	HEXAGONAL NUT	M8	2	
2	<b>00 0239 387 0</b>	CONTACT WASHER	A8-8,2X18X1,4	2	
3	<b>00 0239 387 0</b>	CONTACT WASHER	A8-8,2X18X1,4	1	
4	<b>00 0237 340 0</b>	HEXAGON HEAD BOLT	M08X40	1	
5	<b>00 0624 003 1</b>	CAP	DV 80 GL	1	
6	<b>00 0736 238 0</b>	TANK FILTER		1	
7	<b>00 0238 267 3</b>	HOSE CLAMP	A - 20-32X12	3	
8	<b>00 0234 953 0</b>	COACH BOLT	M8X20X13	2	
8	<b>00 0236 170 0</b>	HEXAGONAL NUT	M8	2	
8	<b>00 0239 387 0</b>	CONTACT WASHER	A8-8,2X18X1,4	2	
9	<b>00 0067 766 4</b>	TUBE		1	
10	<b>00 0136 561 0</b>	HOSE W.IRONBRAIDE	22X29X2000	1	1)
11	<b>00 0236 200 0</b>	HEXAGON HEAD BOLT	M8X20	4	
11	<b>00 0236 170 0</b>	HEXAGONAL NUT	M8	4	
11	<b>00 0239 393 1</b>	CONTACT WASHER	B 8 -8.2X22X1,9	8	
12	<b>00 0215 476 2</b>	HOSE CLAMP	A - 100-120X12	2	
13	<b>00 0067 804 0</b>	HOSE	D102X6X185	1	
14	<b>00 0067 029 0</b>	DISTRIBUTOR	YS 19	1	
15	<b>00 0136 565 0</b>	CORRUGAT. CONDUIT	NW 22 7000 LG.	1	2)
16	<b>00 0136 561 0</b>	HOSE W.IRONBRAIDE	22X29X2000	1	3)
16	<b>00 0136 565 0</b>	CORRUGAT. CONDUIT	NW 22 7000 LG.	1	4)

<b>1)</b>	<b>Remarks</b>	3050 long
<b>2)</b>	<b>Remarks</b>	1800 long to No. 49200132
<b>3)</b>	<b>Remarks</b>	1800 long from No. 49200133
<b>4)</b>	<b>Remarks</b>	1800 LANG BIS NR. 49200132

269

**CLAAS**

**BGZ 13050**



05296201  
JAGUAR 8700/8550

125282

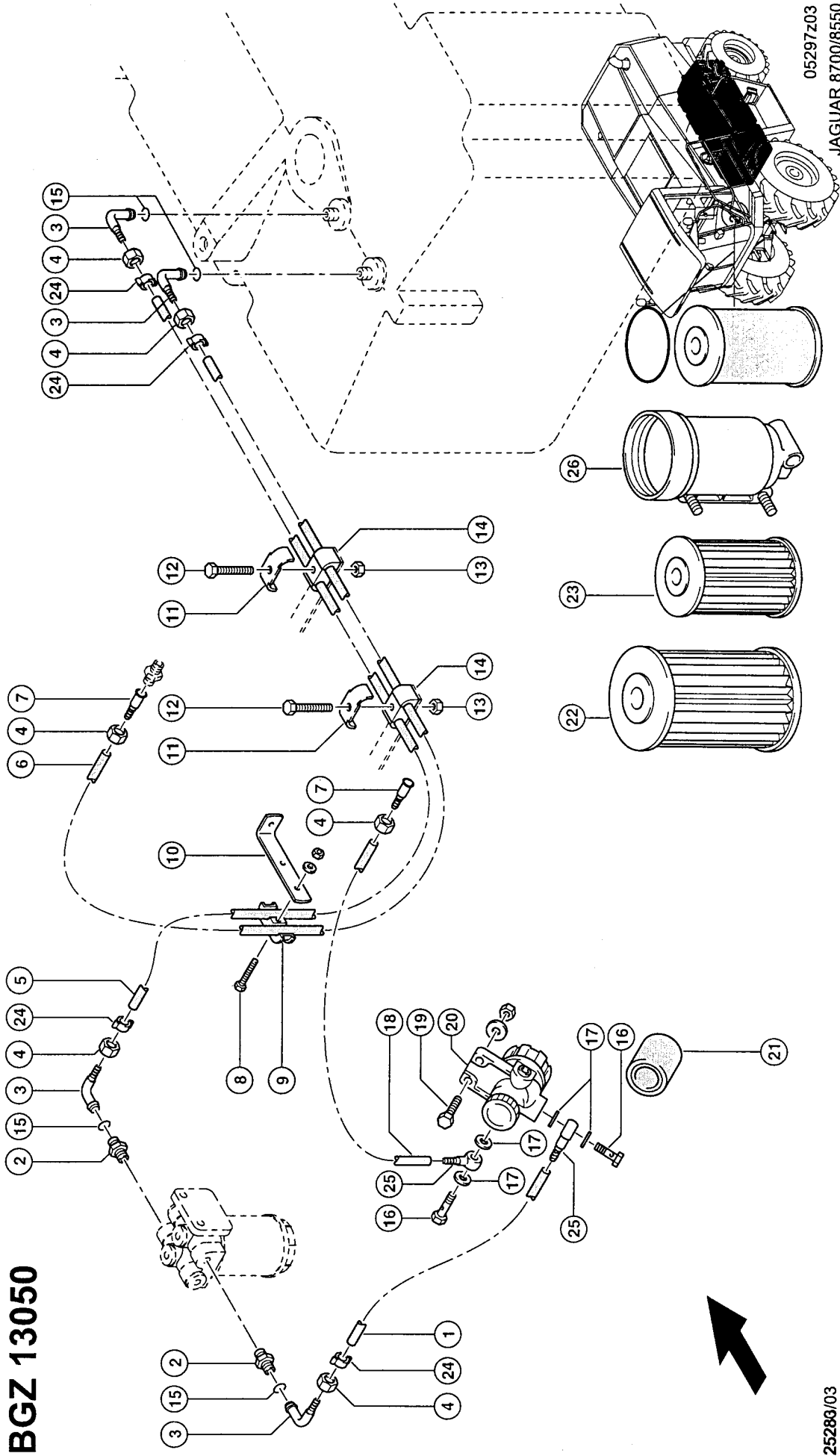
**ADDITIONAL FUEL TANK 1)**

Pos.	Part No.	Description	Dimension	Quantity	Conditions
1	<b>00 0140 260 0</b>	CHUTE		2	
1	<b>00 0076 351 0</b>	CHUTE	D22XG 3/4Z	2	
2	<b>00 0216 987 0</b>	O-RING	32,69X5,33 -N	2	
2	<b>00 0216 661 0</b>	O-RING	24X6 -N	2	
3	<b>00 0140 451 0</b>	FUEL TANK	150L	1	
3	<b>00 0076 141 2</b>	FUEL TANK	150L	1	
4	<b>00 0076 130 2</b>	BANDAGE		1	
5	<b>00 0076 132 1</b>	BANDAGE		1	
6	<b>00 0238 267 3</b>	HOSE CLAMP	A - 20-32X12	2	
7	<b>00 0136 561 0</b>	HOSE W.IRONBRAIDE	22X29X2000	1	2)
8	<b>00 0238 209 0</b>	O-RING	17X2-N	1	
9	<b>00 0244 342 0</b>	SCREW PLUG	M18X1,5	1	
10	<b>00 0215 083 0</b>	HOLDER CLAMP	D1-30X25	1	
11	<b>00 0236 171 0</b>	HEXAGONAL NUT	M10	4	
12	<b>00 0236 200 0</b>	HEXAGON HEAD BOLT	M8X20	2	
12	<b>00 0236 170 0</b>	HEXAGONAL NUT	M8	2	
12	<b>00 0239 387 0</b>	CONTACT WASHER	A8-8,2X18X1,4	2	
13	<b>00 0068 127 2</b>	TANK SUPPORT	GESCHW.	1	
14	<b>00 0237 442 0</b>	HEXAGON HEAD BOLT	M8X25	2	
14	<b>00 0236 170 0</b>	HEXAGONAL NUT	M8	2	
14	<b>00 0239 387 0</b>	CONTACT WASHER	A8-8,2X18X1,4	2	
15	<b>00 0068 130 0</b>	PIPE PROTECTOR	3,0X0270X0797	1	
16	<b>00 0234 953 0</b>	COACH BOLT	M8X20X13	3	
16	<b>00 0236 170 0</b>	HEXAGONAL NUT	M8	3	
16	<b>00 0239 387 0</b>	CONTACT WASHER	A8-8,2X18X1,4	3	
17	<b>00 0234 953 0</b>	COACH BOLT	M8X20X13	2	
17	<b>00 0239 387 0</b>	CONTACT WASHER	A8-8,2X18X1,4	2	
17	<b>00 0236 170 0</b>	HEXAGONAL NUT	M8	2	
18	<b>00 0236 839 0</b>	WASHER	12,5X 25 X1,5	2	
19	<b>00 0067 470 0</b>	GUARD PLATE	1,5X388X858	1	
20	<b>00 0234 953 0</b>	COACH BOLT	M8X20X13	1	
20	<b>00 0239 387 0</b>	CONTACT WASHER	A8-8,2X18X1,4	1	
20	<b>00 0236 170 0</b>	HEXAGONAL NUT	M8	1	
<b>1)</b>	<b>Remarks</b>		P 03/10		
<b>2)</b>	<b>Remarks</b>		750 long		

270

CLAAS

BGZ 13050



05297203  
JAGUAR 8700/8550

125286/03

**FUEL SYSTEM**

Pos.	Part No.	Description	Dimension	Quantity	Conditions
1	<b>00 0205 206 0</b>	TUBE	D12,5X1,25	1	1)
2	<b>00 0216 365 0</b>	SCREW-IN FITTING	SDS-L12XM22X1, 5-TYPE F	2	2)
2	<b>00 0216 097 0</b>	STRAIGHT MALE CONNECTOR	SDS-L12XM16X1, 5-TYPE E	2	3)
3	<b>00 0068 692 0</b>	TUBE NIPPLE	DN10 - N90 L12 (M18X1,5)	4	
4	<b>00 0216 364 0</b>	UNION NUT	BLL12	5	
5	<b>00 0205 206 0</b>	TUBE	D12,5X1,25	1	4)
6	<b>00 0205 206 0</b>	TUBE	D12,5X1,25	1	5)
7	<b>00 0068 688 1</b>	CONNECTION	M18X1,5-10	2	
8	<b>00 0242 442 0</b>	HEXAGON HEAD BOLT	M 6X30	1	
9	<b>00 0723 501 0</b>	DOUBLE CLAMP	B 12	1	
10	<b>00 0077 376 0</b>	SUPPORT	3X30X153	1	
11	<b>00 0683 254 0</b>	CLAMP BRACKET	2X18X25X3	2	
12	<b>00 0237 340 0</b>	HEXAGON HEAD BOLT	M08X40	2	
13	<b>00 0238 132 0</b>	LOCK NUT	M8	2	
14	<b>00 0697 807 0</b>	RUBBER BEARING	12/12	2	
15	<b>00 0216 366 0</b>	O-RING	10,50X1,5 NBR80	4	
16	<b>00 0096 030 0</b>	HOLLOW SCREW	12 - M16X1,5 (12-3 ZULÄS	2	
17	<b>00 0235 786 0</b>	SEALING RING	A16 X22	4	
18	<b>00 0205 206 0</b>	TUBE	D12,5X1,25	1	6)
19	<b>00 0237 442 0</b>	HEXAGON HEAD BOLT	M8X25	2	
19	<b>00 0236 170 0</b>	HEXAGONAL NUT	M8	2	
19	<b>00 0239 393 1</b>	CONTACT WASHER	B 8 -8.2X22X1,9	2	
20	<b>00 0068 665 0</b>	HAND PUMP	H11K06 M16X1,5	1	
20	<b>00 0077 446 0</b>	SEALING RING	F. H11 K02	1	
20	<b>00 0077 447 0</b>	INSPECTION GLASS		1	
21	<b>00 0077 445 0</b>	FILTER ELEMENT		1	
22	<b>00 0133 629 0</b>	ENGINE OIL FILTER		1	7)
23	<b>00 0068 709 0</b>	FILTER ELEMENT		1	8)
24	<b>00 0237 814 0</b>	2-EAR CLAMP	13-15	4	
25	<b>00 0215 562 0</b>	CONNECTION	R16-10	1	
26	<b>00 0174 943 0</b>	FUEL FILTER	OM 457 LA	1	9)
27	<b>00 0796 519 0</b>	FILTER ELEMENT		1	10)

<b>1)</b>	<b>Remarks</b>	600 mm long
<b>2)</b>	<b>Remarks</b>	at P 04/20
<b>3)</b>	<b>Remarks</b>	BEI P 04/10
<b>4)</b>	<b>Remarks</b>	1940 mm long
<b>5)</b>	<b>Remarks</b>	at Om 457 La,1500 mm
<b>6)</b>	<b>Remarks</b>	at Om 457 La,2640 mm
<b>7)</b>	<b>Remarks</b>	at Om 457 La
<b>8)</b>	<b>Remarks</b>	fuel-filter with O-Ring
<b>9)</b>	<b>Remarks</b>	ventilation crank case
<b>10)</b>	<b>Remarks</b>	Crankcase breather

Thank you so much for reading.  
Please click the “Buy Now!”  
button below to download the  
complete manual.



After you pay.

You can download the most  
perfect and complete manual in  
the world immediately.

Our support email:

[ebooklibonline@outlook.com](mailto:ebooklibonline@outlook.com)