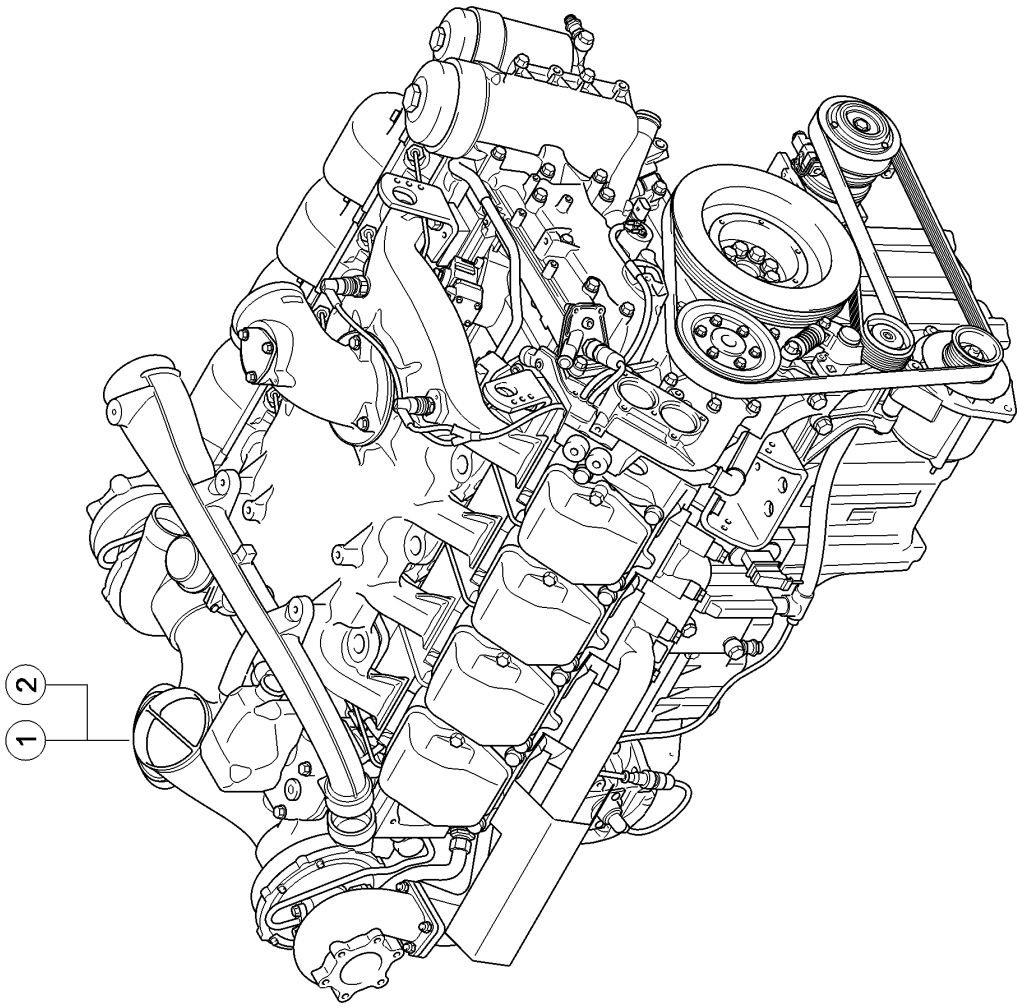


998

CLAAS



04674Z00
JAGUAR 900-830

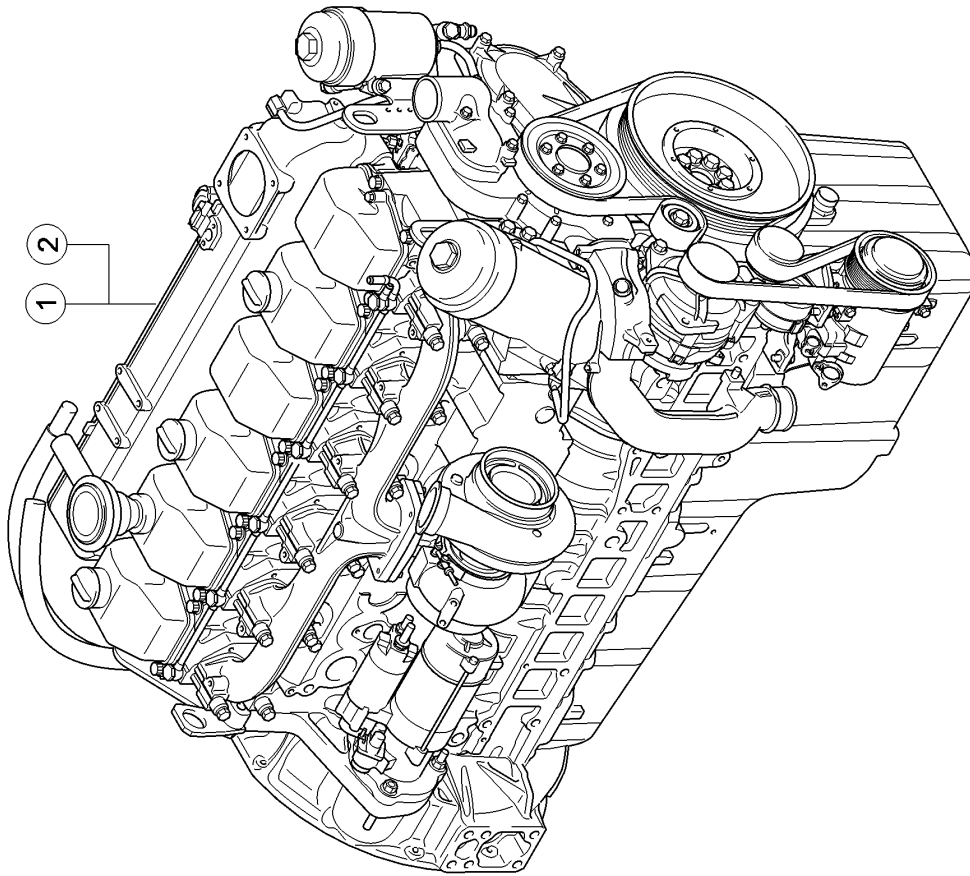
149056

010 COMPLETE ENGINE

Pos.	Part No.	Description	Dimension	Quantity	Conditions
1	00 0142 014 1	ENGINE	OM 502 LA 480KW	1	1)
1	00 0142 012 1	ENGINE	OM 502 LA 350KW	1	2)
1	00 0142 013 1	ENGINE	OM 502 LA 390KW	1	3)
1	00 0144 242 0	ENGINE	OM 502 LA 350KW SE	1	4)
1	00 0144 243 0	ENGINE	OM 502 LA 390KW SE	1	5)
1	00 0144 244 0	ENGINE	OM 502 LA 480KW SE	1	6)
2	00 1992 157 0	ENGINE	REMAN OM 502 LA 480KW	1	7)
2	00 1992 160 0	ENGINE	REMAN OM 502 LA 350KW	1	8)
2	00 1992 162 0	ENGINE	REMAN OM 502LA 390KW ONL	1	9)
2	00 1992 160 0	ENGINE	REMAN OM 502 LA 350KW	1	10)
2	00 1992 162 0	ENGINE	REMAN OM 502LA 390KW ONL	1	11)
2	00 1992 157 0	ENGINE	REMAN OM 502 LA 480KW	1	12)
1)	Equipment	SH_P02_1180	1180_OM502 EWG470kW/ECE443kW		
2)	Equipment	SH_P02_1170	1170_OM502 EWG340kW/ECE318kW		
3)	Equipment	SH_P02_1175	1175_OM502 EWG380kW/ECE358kW		
4)	Equipment	SH_P02_0170	OM502 EWG340kW/ECE318kW		
5)	Equipment	SH_P02_0175	OM502 EWG380kW/ECE358kW		
6)	Equipment	SH_P02_0180	OM502 EWG470kW/ECE443kW		
7)	Equipment	SH_P02_1180	1180_OM502 EWG470kW/ECE443kW		
	Remarks		Exchange / Reman		
8)	Equipment	SH_P02_1170	1170_OM502 EWG340kW/ECE318kW		
	Remarks		Exchange / Reman		
9)	Equipment	SH_P02_1175	1175_OM502 EWG380kW/ECE358kW		
	Remarks		Exchange / Reman		
10)	Equipment	SH_P02_0170	OM502 EWG340kW/ECE318kW		
	Remarks		Exchange / Reman		
11)	Equipment	SH_P02_0175	OM502 EWG380kW/ECE358kW		
	Remarks		Exchange / Reman		
12)	Equipment	SH_P02_0180	OM502 EWG470kW/ECE443kW		
	Remarks		Exchange / Reman		

999

CLAAS



04675Z00
JAGUAR 900-830

149058

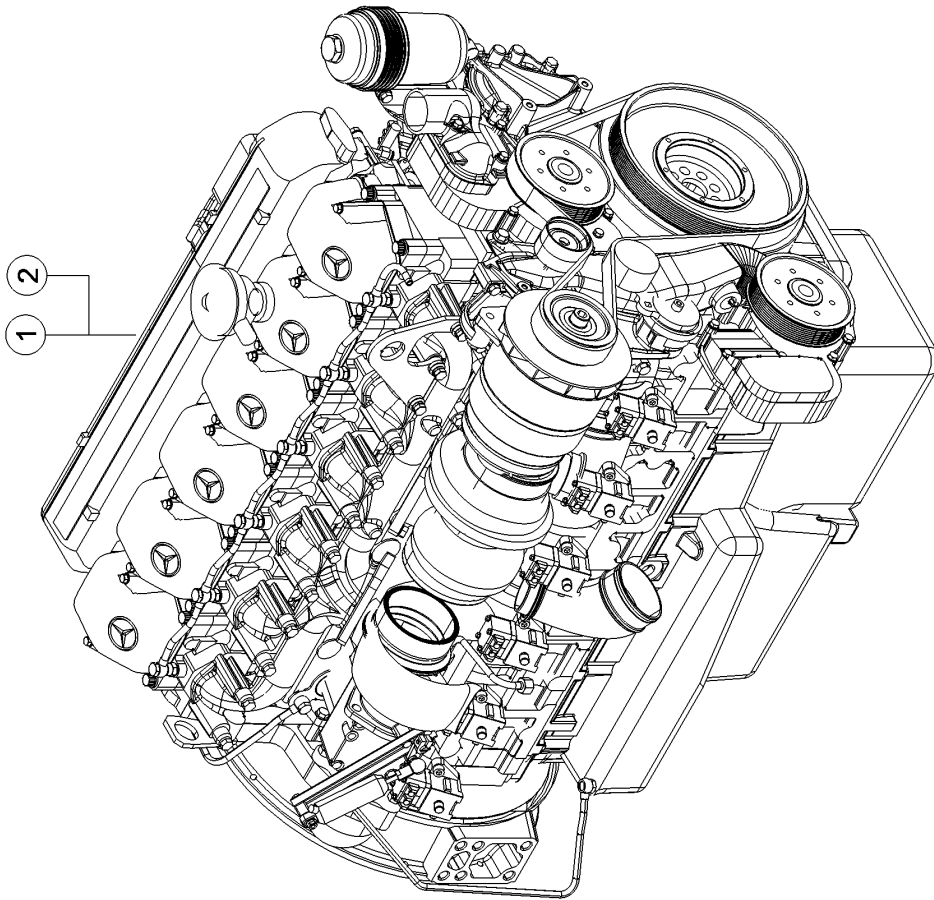
010 COMPLETE ENGINE

Pos.	Part No.	Description	Dimension	Quantity	Conditions
1	00 0142 010 1	ENGINE	OM 460 LA 260KW	1	1)
1	00 0142 011 1	ENGINE	OM 460 LA 315KW	1	2)
1	00 0144 240 0	ENGINE	OM 460 LA 260KW SE	1	3)
1	00 0144 241 0	ENGINE	OM 460 LA 315KW SE	1	4)
2	00 1993 372 0	ENGINE	REMAN OM 460 LA 260KW	1	5)
2	00 1992 167 0	ENGINE	REMAN OM 460 LA 315KW	1	6)
2	00 1992 154 0	ENGINE	REMAN OM 460 LA 260KW T3	1	7)
2	00 1992 167 0	ENGINE	REMAN OM 460 LA 315KW	1	8)

1)	Equipment	SH_P02_1160	1160_OM460 EWG250kW/ECE241kW
2)	Equipment	SH_P02_1165	MERCEDES BENZ, R6-Cylinder OM 460 LA (303 kW / 412 PS)
3)	Equipment	SH_P02_0160	OM460 EWG250kW/ECE241kW
4)	Equipment	SH_P02_0165	OM460 EWG305kW/ECE289kW
5)	Equipment	SH_P02_1160	1160_OM460 EWG250kW/ECE241kW
	Remarks		Exchange / Reman
6)	Equipment	SH_P02_1165	MERCEDES BENZ, R6-Cylinder OM 460 LA (303 kW / 412 PS)
	Remarks		Exchange / Reman
7)	Equipment	SH_P02_0160	OM460 EWG250kW/ECE241kW
	Remarks		Exchange / Reman
8)	Equipment	SH_P02_0165	OM460 EWG305kW/ECE289kW
	Remarks		Exchange / Reman

997

CLAAS



04680Z00
JAGUAR 900-830

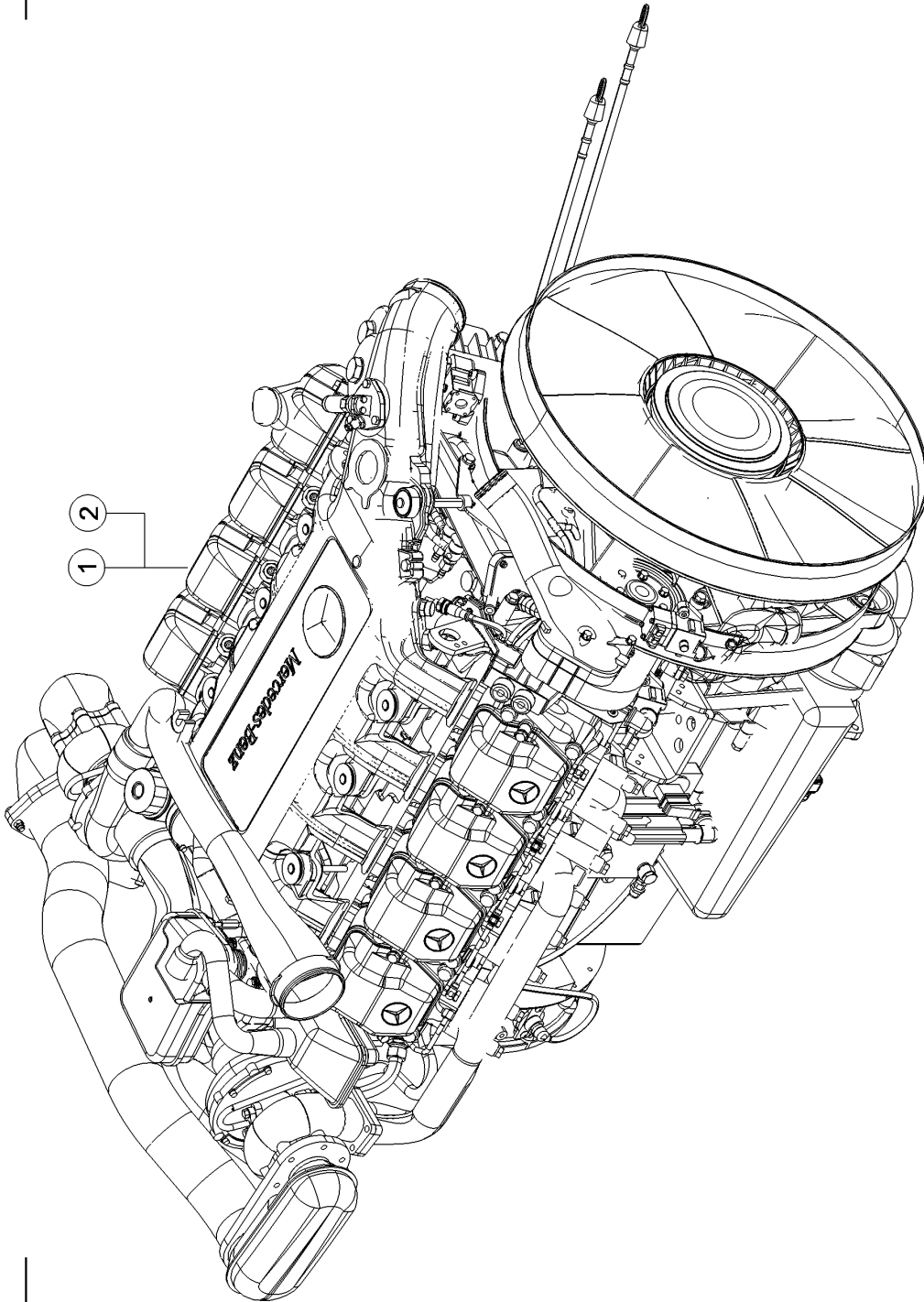
149075

010 COMPLETE ENGINE

Pos.	Part No.	Description	Dimension	Quantity	Conditions
1	00 0067 673 0	ENGINE	OM457 LA 286KW	1	1)
1	00 0067 674 0	ENGINE	OM 457 LA 236KW	1	2)
1	00 0068 504 1	ENGINE	OM 457 LA 236KW	1	3)
1	00 0068 503 1	ENGINE	OM 457 LA 286KW	1	4)
1	00 0068 502 1	ENGINE	OM 457 LA 325KW	1	5)
1	00 0069 775 1	ENGINE	OM457 LA 236KW	1	6)
1	00 0069 776 1	ENGINE	OM457 LA 286KW	1	7)
1	00 0069 777 1	ENGINE	OM457 LA 325KW	1	8)
2	00 1993 430 0	ENGINE	REMAN OM 457 LA 295KW	1	9)
2	00 1993 432 0	ENGINE	REMAN OM 457 LA 242KW	1	10)
2	00 1993 422 0	ENGINE	REMAN OM 457 LA 236KW	1	11)
2	00 1993 420 0	ENGINE	REMAN OM 457 LA 286KW	1	12)
2	00 1993 428 0	ENGINE	REMAN OM 457 LA 335KW	1	13)
1)	Equipment	SH_P02_0210	OM457 K EWG286kW/ECE275kW		
2)	Equipment	SH_P02_0200	OM457 K EWG236kW/ECE229kW		
3)	Equipment	SH_P02_0110	OM457 EWG236kW/ECE229kW		
4)	Equipment	SH_P02_0120	OM457 EWG286kW/ECE275kW		
5)	Equipment	SH_P02_0130	OM457 EWG325kW/ECE315kW		
6)	Equipment	SH_P02_0205	OM457 C EWG236kW/ECE229kW		
7)	Equipment	SH_P02_0215	OM457 C EWG286kW/ECE275kW		
8)	Equipment	SH_P02_0225	OM457 C EWG325kW/ECE315kW		
9)	Equipment	SH_P02_0210	OM457 K EWG286kW/ECE275kW		
	Remarks		Exchange / Reman		
10)	Equipment	SH_P02_0200	OM457 K EWG236kW/ECE229kW		
	Remarks		Exchange / Reman		
11)	Equipment	SH_P02_0110	OM457 EWG236kW/ECE229kW		
	Remarks		Exchange / Reman		
12)	Equipment	SH_P02_0120	OM457 EWG286kW/ECE275kW		
	Remarks		Exchange / Reman		
13)	Equipment	SH_P02_0225	OM457 C EWG325kW/ECE315kW		
	Remarks		Exchange / Reman		

996

CLAAS



04681Z00
JAGUAR 900-830

149076

010 COMPLETE ENGINE

Pos.	Part No.	Description	Dimension	Quantity	Conditions
1	00 0067 671 0	ENGINE	OM502 LA 370KW	1	1)
1	00 0067 670 1	ENGINE	OM502 LA 440KW	1	2)
1	00 0032 974 0	ENGINE	OM 502 LA 480KW	1	3)
1	00 0069 778 1	ENGINE	OM502 LA 370KW	1	4)
1	00 0069 779 1	ENGINE	OM502 LA 440KW	1	5)
1	00 0068 501 1	ENGINE	OM 502 LA 370KW	1	6)
1	00 0068 500 1	ENGINE	OM 502 LA 440KW	1	7)
2	00 1993 424 0	ENGINE	REMAN OM 502 LA 380KW	1	8)
2	00 1993 426 0	ENGINE	REMAN OM 502 LA 448KW	1	9)
2	00 1992 157 0	ENGINE	REMAN OM 502 LA 480KW	1	10)
2	00 1993 424 0	ENGINE	REMAN OM 502 LA 380KW	1	11)
2	00 1993 426 0	ENGINE	REMAN OM 502 LA 448KW	1	12)
2	00 1993 418 0	ENGINE	REMAN OM 502 LA 380KW ON	1	13)
2	00 1993 416 0	ENGINE	REMAN OM 502 LA 448KW	1	14)

1) Equipment

SH_P02_0230	OM502 K EWG370kW/ECE357kW
SH_P02_0250	OM502FS EWG370kW/ECE357kW

2) Equipment

SH_P02_0240	OM502 K EWG440kW/ECE416kW
SH_P02_0260	OM502FS EWG440kW/ECE416kW

3) Equipment

SH_P02_0280	OM502FS EWG470kW/ECE443kW
-------------	---------------------------

4) Equipment

SH_P02_0235	OM502 C EWG370kW/ECE357kW
SH_P02_0250	OM502FS EWG370kW/ECE357kW

5) Equipment

SH_P02_0245	OM502 C EWG440kW/ECE416kW
SH_P02_0260	OM502FS EWG440kW/ECE416kW

6) Equipment

SH_P02_0140	OM502 EWG370kW/ECE357kW
-------------	-------------------------

7) Equipment

SH_P02_0150	OM502 EWG440kW/ECE416kW
-------------	-------------------------

8) Equipment

SH_P02_0230	OM502 K EWG370kW/ECE357kW
SH_P02_0250	OM502FS EWG370kW/ECE357kW
Remarks	Exchange / Reman

9) Equipment

SH_P02_0240	OM502 K EWG440kW/ECE416kW
SH_P02_0260	OM502FS EWG440kW/ECE416kW
Remarks	Exchange / Reman

10) Equipment

SH_P02_0280	OM502FS EWG470kW/ECE443kW
Remarks	Exchange / Reman

11) Equipment

SH_P02_0235	OM502 C EWG370kW/ECE357kW
SH_P02_0250	OM502FS EWG370kW/ECE357kW
Remarks	Exchange / Reman

12) Equipment

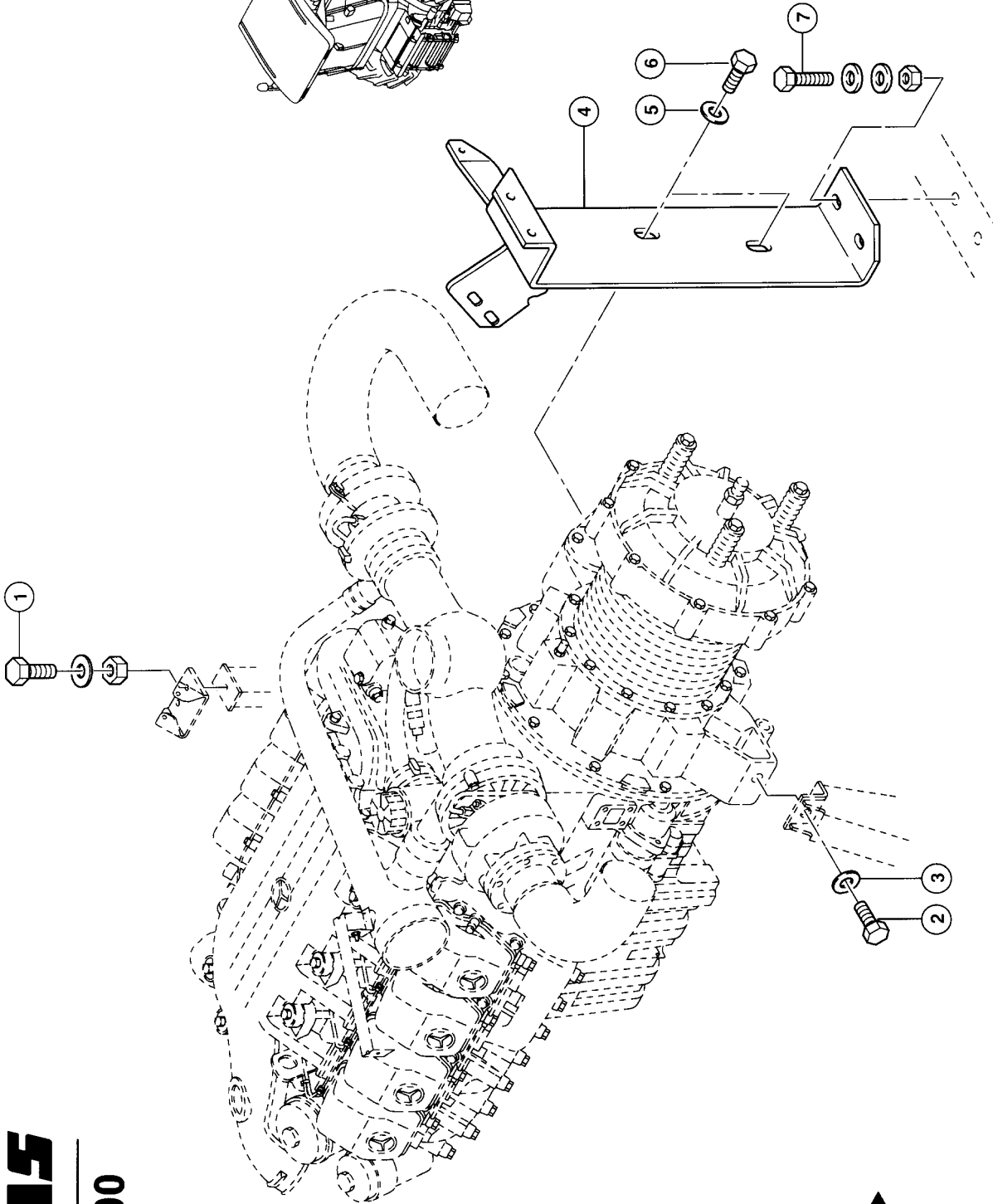
SH_P02_0245	OM502 C EWG440kW/ECE416kW
-------------	---------------------------

010 COMPLETE ENGINE

12) Remarks	SH_P02_0260	OM502FS EWG440kW/ECE416kW Exchange / Reman
13) Equipment Remarks	SH_P02_0140	OM502 EWG370kW/ECE357kW Exchange / Reman
14) Equipment Remarks	SH_P02_0150	OM502 EWG440kW/ECE416kW Exchange / Reman

272

05299z01
JAGUAR 900-830



CLAAS

BGZ 13100

124887/01

MERC.OM 502 LA /OM 457 LA;ATTACHING MOT. 1)

Pos.	Part No.	Description	Dimension	Quantity	Conditions
1	00 0242 406 0	HEXAGON HEAD BOLT	M20X40	2	
1	00 0212 191 0	CONTACT WASHER	A20	2	
1	00 0237 521 0	HEX.NUT	M20	2	
2	00 0236 230 0	HEXAGON HEAD BOLT	M16X35	1	
3	00 0239 391 0	CONTACT WASHER	A16	1	
4	00 0068 899 6	SUPPORT	5X350X640	1	
5	00 0239 391 0	CONTACT WASHER	A16	2	
6	00 0233 441 0	HEXAGON HEAD BOLT	M16X30-MKL	2	
7	00 0237 572 0	HEXAGON HEAD BOLT	M12X35	2	
7	00 0236 172 0	HEXAGONAL NUT	M12	2	
7	00 0239 395 1	CONTACT WASHER	B12	4	

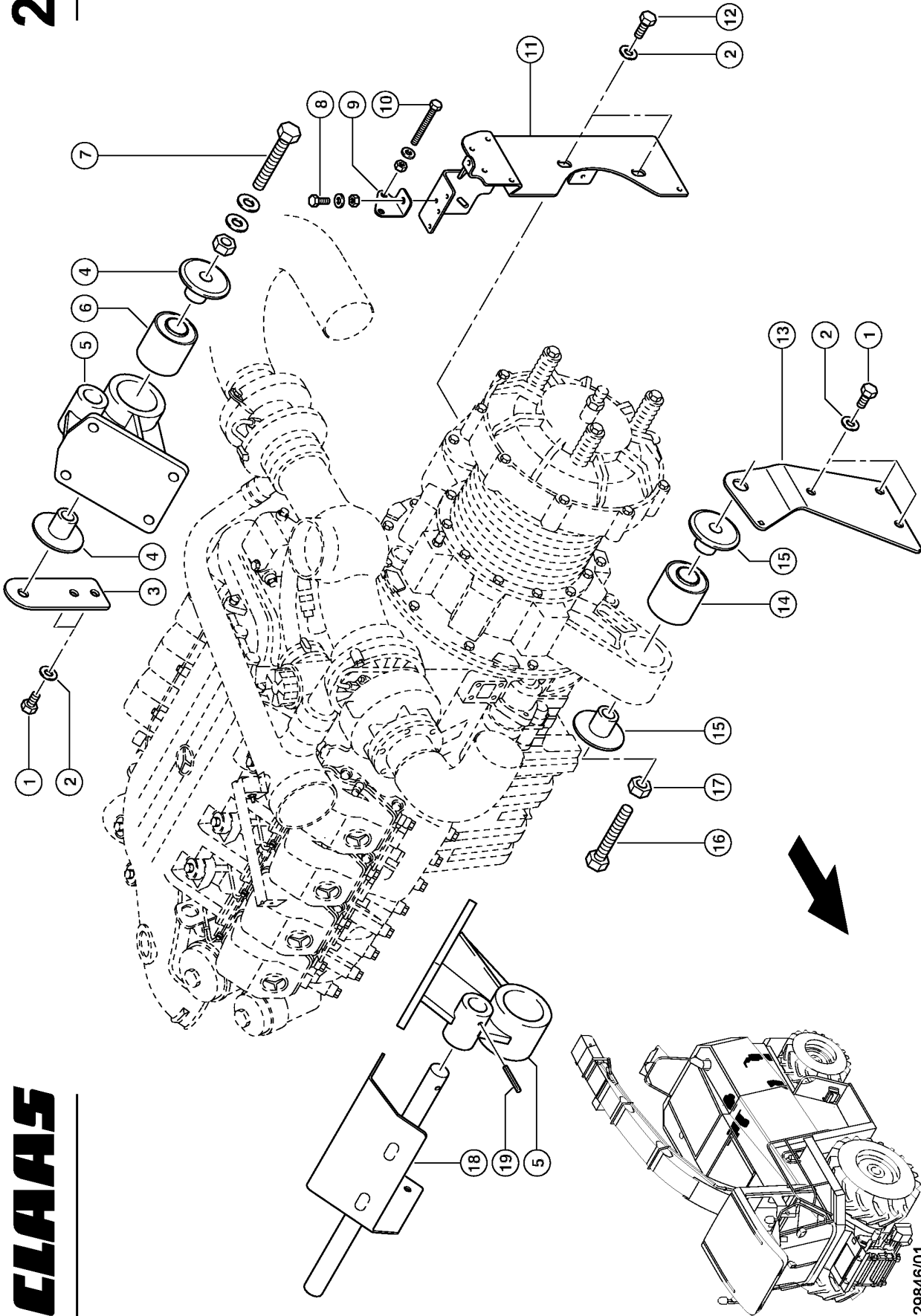
1) Equipment

	SH_P02_0110	OM457	EWG236kW/ECE229kW
	SH_P02_0120	OM457	EWG286kW/ECE275kW
	SH_P02_0130	OM457	EWG325kW/ECE315kW
	SH_P02_0140	OM502	EWG370kW/ECE357kW
machine no.	SH_P02_0150	OM502	EWG440kW/ECE416kW + up to 49202630

272A

CLAAS

05492z01
JAGUAR 900-830



129846/01

MERC.OM 502/460/457 LA;ATTACHING MOTOR 1)

Pos.	Part No.	Description	Dimension	Quantity	Conditions
1	00 0216 177 0	HEXAGON HEAD BOLT	M16X35	4	
2	00 0239 391 0	CONTACT WASHER	A16	9	
3	00 0067 496 0	STRAP	6X80X230	2	
4	00 0067 352 1	BUSHING	D60X45	4	2)
5	00 0067 344 2	ENGINE SUPPORT	GESCHW.	2	3)
5	00 0067 752 1	ENGINE SUPPORT	GESCHW.	1	4)
5	00 0067 757 1	ENGINE SUPPORT	GESCHW.	1	5)
6	00 0090 330 0	MEGU BUSHING	22X65X89,5	2	6)
6	00 0067 739 0	MEGU BUSHING	30X65X70	2	2)
7	00 0211 186 0	HEXAGON HEAD BOLT	M20X130	2	
7	00 0237 521 0	HEX.NUT	M20	2	
7	00 0212 191 0	CONTACT WASHER	A20	4	
8	00 0237 465 0	HEXAGON HEAD BOLT	M6X16	1	
8	00 0236 169 0	HEXAGONAL NUT	M6	1	
8	00 0239 386 0	CONTACT WASHER	A 6	1	
9	00 0068 909 0	SUPPORT		1	
10	00 0235 509 0	HEXAGON HEAD BOLT	M06X50	2	
10	00 0236 169 0	HEXAGONAL NUT	M6	2	
10	00 0239 386 0	CONTACT WASHER	A 6	2	
11	00 0090 193 3	SUPPORT		1	
12	00 0237 376 0	HEXAGON HEAD BOLT	M16X30	2	
13	00 0067 499 1	BEARING PLATE		1	7)
13	00 0140 074 0	BEARING PLATE	6X247X371	1	8)
14	00 0090 328 0	MEGU BUSHING	31X100X110	1	7)
14	00 0067 740 0	MEGU BUSHING	50X100X110	1	8)
15	00 0067 738 0	BUSHING		2	
16	00 0211 241 0	HEXAGON HEAD BOLT	M30X170	1	
17	00 0211 242 0	HEXAGONAL NUT	M30	1	
18	00 0067 349 4	SUPPORTING PLATE		1	9)
19	00 0235 668 0	SPRING PIN	6 X 50	1	

1) Equipment

SH_P02_0160	OM460 EWG250kW/ECE241kW
SH_P02_0165	OM460 EWG305kW/ECE289kW
SH_P02_0170	OM502 EWG340kW/ECE318kW
SH_P02_0175	OM502 EWG380kW/ECE358kW
SH_P02_0180	OM502 EWG470kW/ECE443kW
SH_P02_0200	OM457 K EWG236kW/ECE229kW
SH_P02_0205	OM457 C EWG236kW/ECE229kW
SH_P02_0210	OM457 K EWG286kW/ECE275kW
SH_P02_0215	OM457 C EWG286kW/ECE275kW

2) machine no.

+ up to 49204105

3) Equipment

SH_P02_0170	OM502 EWG340kW/ECE318kW
SH_P02_0175	OM502 EWG380kW/ECE358kW
SH_P02_0180	OM502 EWG470kW/ECE443kW
SH_P02_0230	OM502 K EWG370kW/ECE357kW
SH_P02_0235	OM502 C EWG370kW/ECE357kW
SH_P02_0240	OM502 K EWG440kW/ECE416kW
SH_P02_0245	OM502 C EWG440kW/ECE416kW
SH_P02_1170	1170_OM502 EWG340kW/ECE318kW
SH_P02_1175	1175_OM502 EWG380kW/ECE358kW

4) Equipment

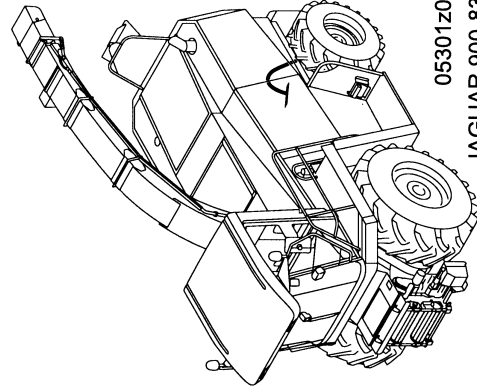
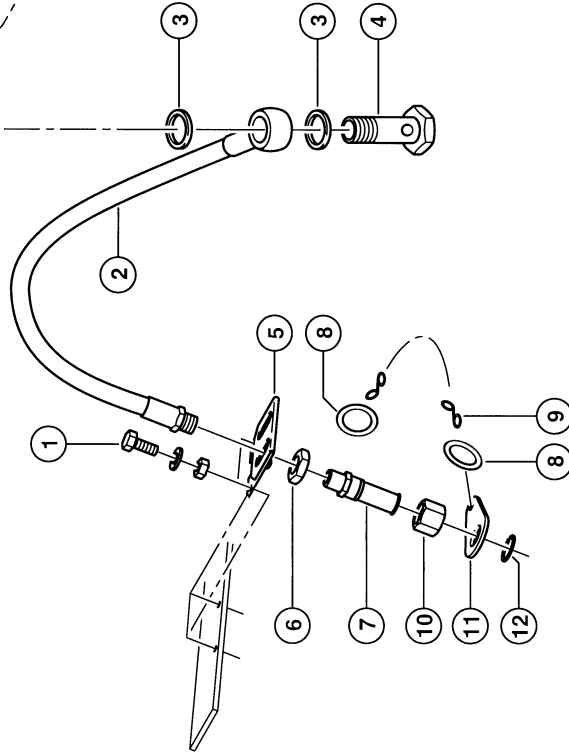
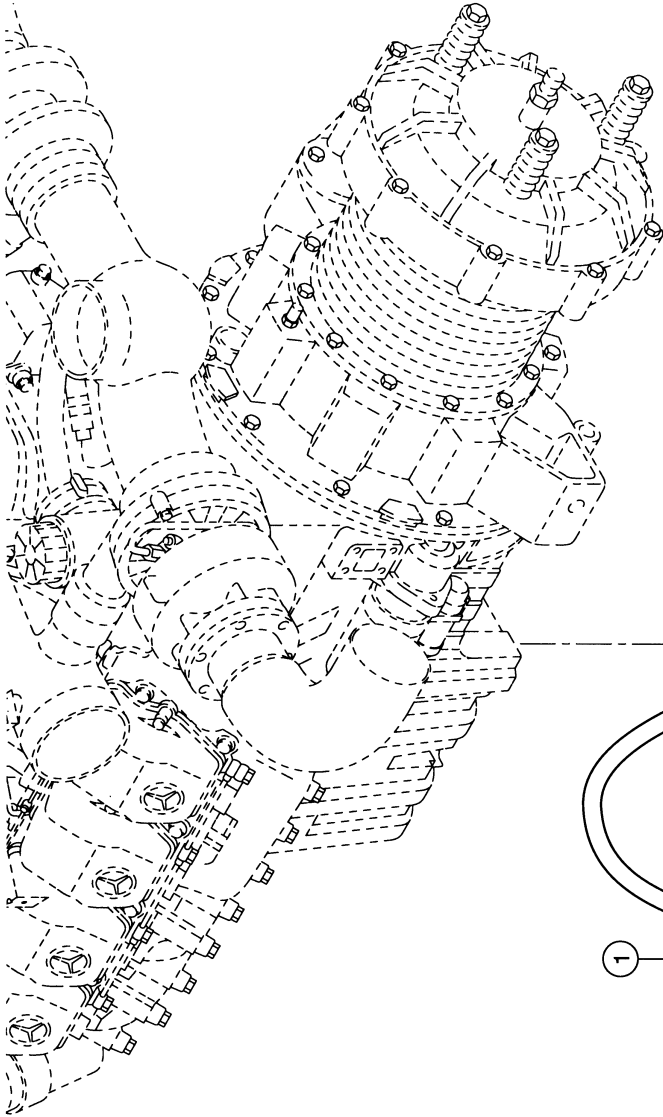
SH_P02_0160	OM460 EWG250kW/ECE241kW
SH_P02_0165	OM460 EWG305kW/ECE289kW
SH_P02_0200	OM457 K EWG236kW/ECE229kW
SH_P02_0205	OM457 C EWG236kW/ECE229kW

MERC.OM 502/460/457 LA;ATTACHING MOTOR 1)

4)	SH_P02_0210 SH_P02_0215 SH_P02_0220 SH_P02_0225 SH_P02_1160 Remarks SH_P02_1165	OM457 K EWG286kW/ECE275kW OM457 C EWG286kW/ECE275kW OM457 K EWG325kW/ECE315kW OM457 C EWG325kW/ECE315kW 1160_OM460 EWG250kW/ECE241kW MERCEDES BENZ, R6-Cylinder OM 460 LA (303 kW / 412 PS) right
5) Equipment	SH_P02_0160 SH_P02_0165 SH_P02_0200 SH_P02_0205 SH_P02_0210 SH_P02_0215 SH_P02_0220 SH_P02_0225 SH_P02_1160	OM460 EWG250kW/ECE241kW OM460 EWG305kW/ECE289kW OM457 K EWG236kW/ECE229kW OM457 C EWG236kW/ECE229kW OM457 K EWG286kW/ECE275kW OM457 C EWG286kW/ECE275kW OM457 K EWG325kW/ECE315kW OM457 C EWG325kW/ECE315kW 1160 OM460 EWG250kW/ECE241kW
6) machine no.		+ from 49204106
7) machine no.		+ from 49204579
8) machine no.		+ up to 49204578
9) Equipment	SH_P02_0170 SH_P02_0175 SH_P02_0180 SH_P02_0230 SH_P02_0235 SH_P02_0240 SH_P02_0245 SH_P02_0250 SH_P02_0260	OM502 EWG340kW/ECE318kW OM502 EWG380kW/ECE358kW OM502 EWG470kW/ECE443kW OM502 K EWG370kW/ECE357kW OM502 C EWG370kW/ECE357kW OM502 K EWG440kW/ECE416kW OM502 C EWG440kW/ECE416kW OM502FS EWG370kW/ECE357kW OM502FS EWG440kW/ECE416kW

273

CLAAS



05301201
JAGUAR 900-830



124888/01

Thank you so much for reading.
Please click the “Buy Now!”
button below to download the
complete manual.



After you pay.

You can download the most
perfect and complete manual in
the world immediately.

Our support email:

ebooklibonline@outlook.com