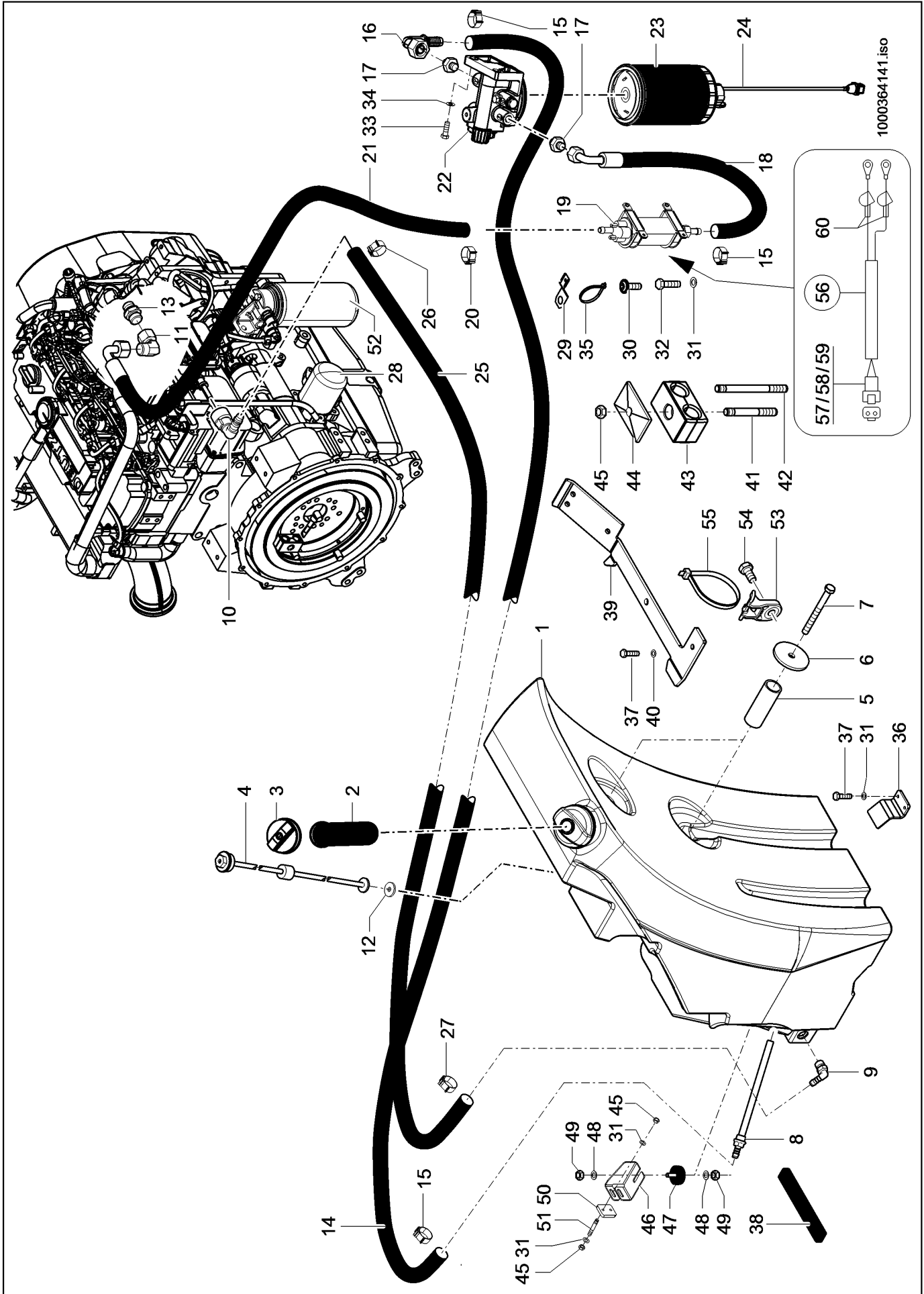


**100 ENGINE SUSPENSION**

<b>Pos.</b>	<b>Part No.</b>	<b>Description</b>	<b>Dimension</b>	<b>Quantity</b>	<b>Conditions</b>
1	<b>00 1307 196 0</b>	DIESEL ENGINE	TCD 3.6 S4 100 KW 2300 M	1	
2	<b>00 1307 197 0</b>	DIESEL ENGINE	TCD 3.6 S4 100 KW 2300 M	1	1)
3	<b>00 1305 336 0</b>	FLANGE	F. KUPPLUNG	1	
4	<b>00 0235 495 1</b>	SOCKET HEAD SCREW	M10X 25	12	
5	<b>00 1305 364 0</b>	CLUTCH		1	
6	<b>60 0502 645 4</b>	SCREW	M08X20	6	
7	<b>00 1304 373 0</b>	BEARING	30/31	2	
8	<b>00 1304 374 0</b>	BEARING	30/31	2	
9	<b>00 0237 383 0</b>	HEXAGON HEAD BOLT	M10X25	16	
10	<b>00 0479 671 0</b>	ADJUSTING DISC	14X60X1,0	1	
11	<b>00 0479 670 0</b>	ADJUSTING DISC	14X60X0,5	1	
12	<b>00 0479 672 0</b>	ADJUSTING DISC	14X60X1,5	1	
13	<b>00 1304 702 0</b>	BEARING	KPLT.	2	
14	<b>00 1304 683 0</b>	BEARING	KPLT.	1	
15	<b>00 1304 682 0</b>	BEARING	KPLT.	1	
16	<b>00 0237 761 1</b>	SOCKET HEAD SCREW	M12X 30	12	
17	<b>00 0237 572 0</b>	HEXAGON HEAD BOLT	M12X35	4	
18	<b>00 0236 230 0</b>	HEXAGON HEAD BOLT	M16X35	2	
19	<b>00 1301 406 0</b>	WASHER	13 ST A2C	4	
<b>1)</b>	<b>Remarks</b>		LRC		



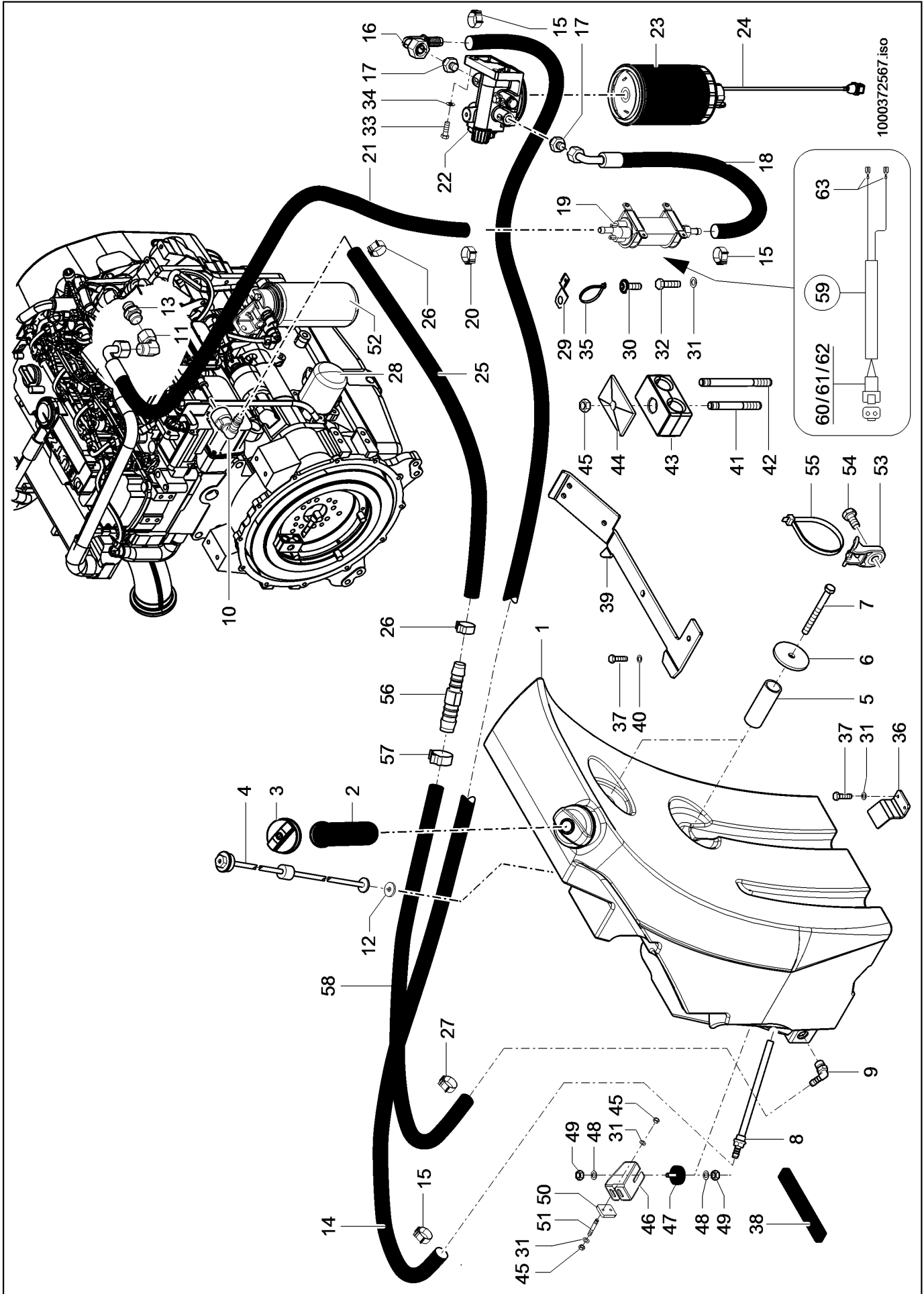
**100 FUEL TANK 1)**

Pos.	Part No.	Description	Dimension	Quantity	Conditions
1	<b>00 1307 039 0</b>	FUEL TANK		1	
2	<b>00 1302 051 0</b>	FILL IN STRAINER		1	
3	<b>00 1305 708 0</b>	LOCKING COVER	KRAFTSTOFFTANK	1	
4	<b>00 1306 222 0</b>	LEVEL TRANSMITTER	835 MM LG.	1	
5	<b>00 1300 436 0</b>	SPACER TUBE		2	
6	<b>00 1301 418 0</b>	WASHER		2	
7	<b>00 0215 898 0</b>	HEXAGON HEAD BOLT	M16X160	2	
8	<b>00 1307 625 0</b>	SOCKET	"KRAFTSTOFF GES 12-R1/2"	1	
10	<b>00 1307 494 0</b>	CONNECTOR	90° NW8-10 ADBLUE	1	
11	<b>00 0249 835 0</b>	ELBOW UNION	SWOE-L12	1	
13	<b>00 0216 097 0</b>	STRAIGHT MALE CONNECTOR	SDS-L12XM16X1, 5-TYPE E	1	
14	<b>00 1306 776 0</b>	FUEL HOSE	12X3,5X5000	2	
15	<b>00 0223 019 0</b>	CLAMP	COBRA 19/8	3	
16	<b>00 0796 220 0</b>	CONNECTION	DN12-N90L15(M22X1, 1 5)ERS.	1	
17	<b>00 1301 591 0</b>	SCREW-IN FITTING	SDS-L15XM16X1, 5-TYPE E	3	
18	<b>00 1305 431 0</b>	HOSE PIPE		1	
19	<b>00 1994 852 0</b>	DELIVERY PUMP	12 V	1	
20	<b>00 0223 018 0</b>	CLAMP	COBRA 15/8	1	
21	<b>00 1307 594 0</b>	HOSE PIPE		1	
22	<b>00 1995 104 0</b>	FUEL PRE-FILTER		1	
23	<b>00 1995 121 0</b>	FILTER CARTRIDGE		1	
24	<b>00 1993 118 0</b>	SENSOR CABLE		1	
25	<b>00 1305 496 0</b>	FUEL HOSE	10X3X2,50 M	3	
26	<b>00 0223 018 0</b>	CLAMP	COBRA 15/8	1	
27	<b>00 0223 377 0</b>	CLAMP	COBRA 14/8	2	
28	<b>00 1302 948 0</b>	OIL FILTER		1	
29	<b>00 1302 326 0</b>	CLIP	F. DEUTSHSTECKER DT2 - SE	1	
30	<b>00 1301 477 0</b>	PANHEAD SCREW W. IN HEX.	M5X16	8	
31	<b>00 0237 816 0</b>	WASHER	8-8,4X24X2	6	
32	<b>00 0237 439 0</b>	HEXAGON HEAD BOLT	M8X16	2	
33	<b>00 0237 383 0</b>	HEXAGON HEAD BOLT	M10X25	2	
34	<b>00 0215 683 0</b>	WASHER	10,5	2	
35	<b>00 1301 792 0</b>	CABLE TIE	4,6 X 300 LAMELLENFUSS +	1	
36	<b>00 1305 925 0</b>	SUPPORT		1	
37	<b>00 0236 200 0</b>	HEXAGON HEAD BOLT	M8X20	3	
38	<b>00 1306 352 0</b>	SEAL BAND		3	
39	<b>00 1306 367 0</b>	SUPPORT	MOTORKABEL	1	
40	<b>00 0215 682 0</b>	WASHER	8,4	1	
41	<b>00 1301 537 0</b>	STUD BOLT	M08X45	2	
42	<b>00 0147 145 0</b>	STUD BOLT	M 8X 65	3	
43	<b>00 1302 907 0</b>	CLAMP	Z KP-2-R-18-15-PP	4	
44	<b>00 0216 994 0</b>	COVER PLATE	Z DP-2-W1	4	
45	<b>00 0238 132 0</b>	LOCK NUT	M8	6	
46	<b>00 1304 610 0</b>	SUPPORT		1	
47	<b>00 1304 375 0</b>	BUFFER BUMPER	D 50X18-M10X38	1	
48	<b>00 0237 592 0</b>	WASHER	D10,5X30X2,5	2	
49	<b>00 0236 171 0</b>	HEXAGONAL NUT	M10	2	
50	<b>00 1304 795 0</b>	THREADED PLATE		1	
51	<b>00 0215 437 0</b>	STUD BOLT	M 8X 25	2	
52	<b>00 1995 273 0</b>	FUEL FILTER		1	

**100 FUEL TANK 1)**

<b>Pos.</b>	<b>Part No.</b>	<b>Description</b>	<b>Dimension</b>	<b>Quantity</b>	<b>Conditions</b>
53	<b>00 0475 006 0</b>	SUPPORT	HDM320	2	
54	<b>00 0237 439 0</b>	HEXAGON HEAD BOLT	M8X16	2	
56	<b>00 1306 081 0</b>	CABLE CPL.	ANSCHLUSS VORFOERDERPUMP	1	
57	<b>00 0326 892 0</b>	PIN HOUSING	2-POLIG	1	
58	<b>00 1301 785 0</b>	PLUG	1,0 - 2,0	2	
59	<b>00 1301 763 0</b>	V-SHAPED ELEMENT	2-POLIG	1	
60	<b>00 0132 358 0</b>	GUARD CAP	D12- D6- LG32	2	

**1) machine no.** + up to 415130007



**100 FUEL TANK 1)**

Pos.	Part No.	Description	Dimension	Quantity	Conditions
1	<b>00 1305 608 0</b>	FUEL TANK		1	
2	<b>00 1302 051 0</b>	FILL IN STRAINER		1	
3	<b>00 1305 708 0</b>	LOCKING COVER	KRAFTSTOFFTANK	1	
4	<b>00 1306 222 0</b>	LEVEL TRANSMITTER	835 MM LG.	1	
5	<b>00 1300 436 0</b>	SPACER TUBE		2	
6	<b>00 1301 418 0</b>	WASHER		2	
7	<b>00 0215 898 0</b>	HEXAGON HEAD BOLT	M16X160	2	
8	<b>00 1307 625 0</b>	SOCKET	"KRAFTSTOFF GES 12-R1/2"	1	
10	<b>00 1307 494 0</b>	CONNECTOR	90° NW8-10 ADBLUE	1	
11	<b>00 0249 835 0</b>	ELBOW UNION	SWOE-L12	1	
13	<b>00 0216 097 0</b>	STRAIGHT MALE CONNECTOR	SDS-L12XM16X1, 5-TYPE E	1	
14	<b>00 1306 776 0</b>	FUEL HOSE	12X3,5X5000	2	
15	<b>00 0223 019 0</b>	CLAMP	COBRA 19/8	3	
16	<b>00 0796 220 0</b>	CONNECTION	DN12-N90L15(M22X1, 1 5)ERS.	1	
17	<b>00 1301 591 0</b>	SCREW-IN FITTING	SDS-L15XM16X1, 5-TYPE E	3	
18	<b>00 1305 431 0</b>	HOSE PIPE		1	
19	<b>00 1994 852 1</b>	DELIVERY PUMP	12 V	1	
20	<b>00 0223 018 0</b>	CLAMP	COBRA 15/8	1	
21	<b>00 1307 594 0</b>	HOSE PIPE		1	
22	<b>00 1995 104 0</b>	FUEL PRE-FILTER		1	
23	<b>00 1995 121 0</b>	FILTER CARTRIDGE		1	
24	<b>00 1993 118 0</b>	SENSOR CABLE		1	
25	<b>00 1305 496 0</b>	FUEL HOSE	10X3X2,50 M	2	
26	<b>00 0223 018 0</b>	CLAMP	COBRA 15/8	2	
27	<b>00 1301 433 0</b>	CLAMP	A 12-22X9 W1	1	
28	<b>00 1302 948 0</b>	OIL FILTER		1	
29	<b>00 1302 326 0</b>	CLIP	F. DEUTSHSTECKER DT2 - SE	1	
30	<b>00 1301 477 0</b>	PANHEAD SCREW W. IN HEX.	M5X16	8	
31	<b>00 0237 816 0</b>	WASHER	8-8,4X24X2	6	
32	<b>00 0237 439 0</b>	HEXAGON HEAD BOLT	M8X16	2	
33	<b>00 0237 383 0</b>	HEXAGON HEAD BOLT	M10X25	2	
34	<b>00 0215 683 0</b>	WASHER	10,5	2	
35	<b>00 1301 792 0</b>	CABLE TIE	4,6 X 300 LAMELLENFUSS +	1	
36	<b>00 1305 925 0</b>	SUPPORT		1	
37	<b>00 0236 200 0</b>	HEXAGON HEAD BOLT	M8X20	3	
38	<b>00 1306 352 0</b>	SEAL BAND		3	
39	<b>00 1306 367 0</b>	SUPPORT	MOTORKABEL	1	
40	<b>00 0215 682 0</b>	WASHER	8,4	1	
41	<b>00 1301 537 0</b>	STUD BOLT	M08X45	2	
42	<b>00 0147 145 0</b>	STUD BOLT	M 8X 65	3	
43	<b>00 1302 907 0</b>	CLAMP	Z KP-2-R-18-15-PP	3	
44	<b>00 0216 994 0</b>	COVER PLATE	Z DP-2-W1	3	
45	<b>00 0238 132 0</b>	LOCK NUT	M8	5	
46	<b>00 1304 610 0</b>	SUPPORT		1	
47	<b>00 1304 375 0</b>	BUFFER BUMPER	D 50X18-M10X38	1	
48	<b>00 0237 592 0</b>	WASHER	D10,5X30X2,5	2	
49	<b>00 0236 171 0</b>	HEXAGONAL NUT	M10	2	
50	<b>00 1304 795 0</b>	THREADED PLATE		1	
51	<b>00 0215 437 0</b>	STUD BOLT	M 8X 25	2	
52	<b>00 1995 273 0</b>	FUEL FILTER		1	

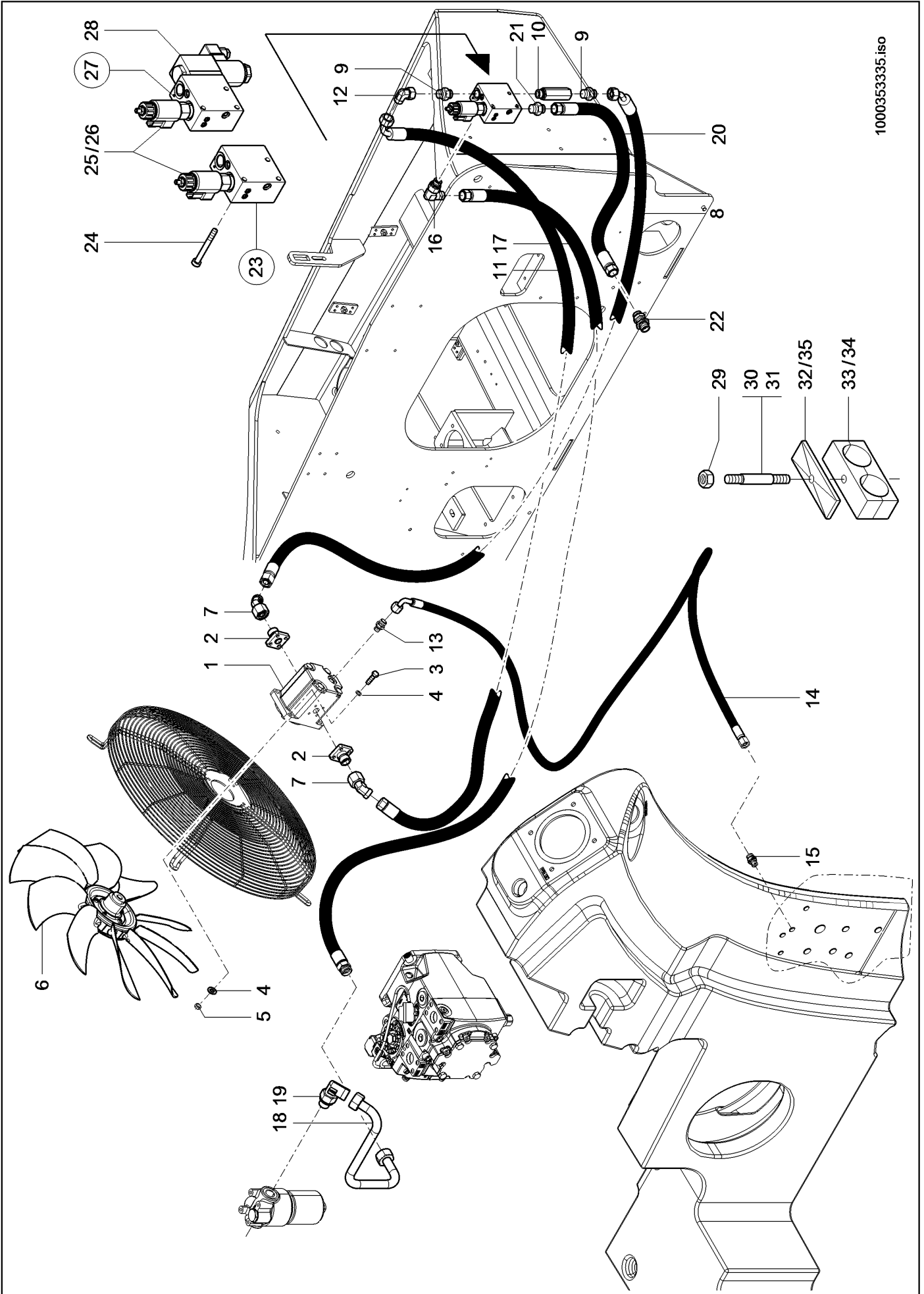
**100 FUEL TANK 1)**

<b>Pos.</b>	<b>Part No.</b>	<b>Description</b>	<b>Dimension</b>	<b>Quantity</b>	<b>Conditions</b>
53	<b>00 0475 006 0</b>	SUPPORT	HDM320	2	
54	<b>00 0237 439 0</b>	HEXAGON HEAD BOLT	M8X16	2	
57	<b>00 1301 801 0</b>	CLAMP	18,5-20, 0X8-COBRA18/8-WE	1	
58	<b>00 1306 776 0</b>	FUEL HOSE	12X3,5X5000	1	
59	<b>00 1307 689 0</b>	CABLE HARNESS	ANSCHLUSS VORFOERDERPUMP	1	
60	<b>00 0326 892 0</b>	PIN HOUSING	2-POLIG	1	
61	<b>00 1301 785 0</b>	PLUG	1,0 - 2,0	2	
62	<b>00 1301 763 0</b>	V-SHAPED ELEMENT	2-POLIG	1	

**1) machine no.**

+ from 415130008

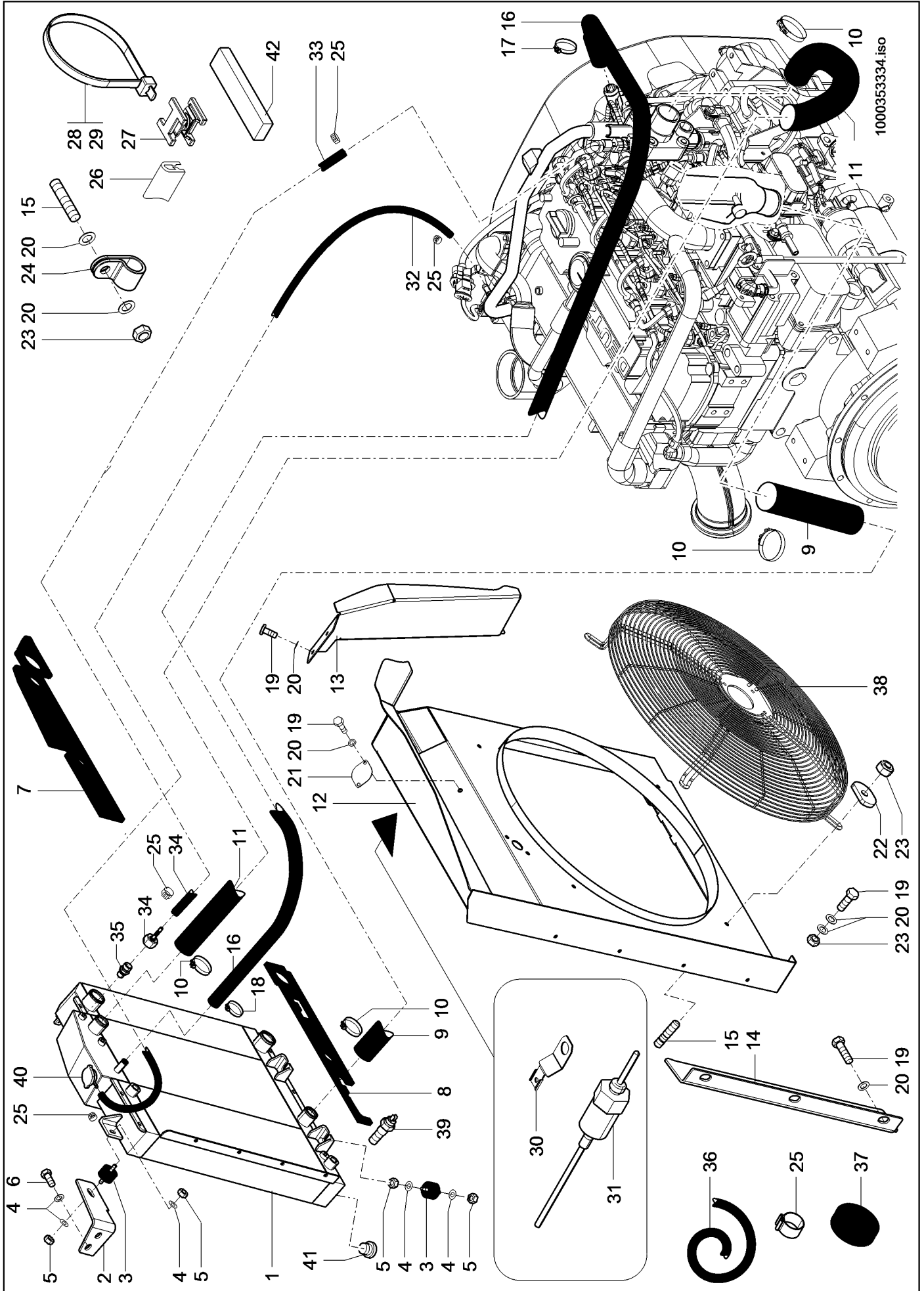




1000353335.iso

**140 ENGINE COOLER**

Pos.	Part No.	Description	Dimension	Quantity	Conditions
1	<b>00 1300 598 1</b>	HYDRAULIC MOTOR	14 CCM BIDIRECTIONAL	1	
2	<b>00 0808 783 0</b>	ANGLE FLANGE	WFS-L15-LK35	2	
3	<b>00 0237 370 0</b>	HEXAGON HEAD BOLT	M8X30	4	
4	<b>00 0215 682 0</b>	WASHER	8,4	8	
5	<b>00 0238 132 0</b>	LOCK NUT	M8	4	
6	<b>00 1307 392 0</b>	FAN WHEEL	630 MM	2	
7	<b>00 0217 166 0</b>	ELBOW UNION		2	
8	<b>00 1305 461 0</b>	HOSE PIPE		1	
9	<b>00 0249 780 0</b>	SCREW-IN FITTING	SDS-L18XG1/2A-TYPE E	2	
10	<b>00 1305 541 0</b>	REDUCING ADAPTER	G1/2 - G1/2 80 MM LG.	1	
11	<b>00 1305 462 0</b>	HOSE PIPE		1	
12	<b>00 0249 837 0</b>	ANGLE UNION	SWOE-L18	1	
13	<b>00 0249 774 0</b>	SCREW-IN FITTING	SDS-L10XG1/4A-TYPE E	1	
14	<b>00 1305 862 0</b>	HOSE PIPE		1	
15	<b>00 0250 004 0</b>	SCREW-IN FITTING	SDS-L10XM14X1, 5-TYPE E	1	
16	<b>00 1301 577 0</b>	SCREW-IN FITTING	SDE-L18XG1/2A-TYPE H	1	
17	<b>00 1305 463 0</b>	HOSE PIPE		1	
18	<b>00 1304 820 0</b>	PIPE	KPLT.	1	
19	<b>00 1301 603 0</b>	SCREW-IN FITTING	SDE-L18XM22X1, 5-TYPE H	1	
20	<b>00 1305 446 0</b>	HOSE PIPE		1	
21	<b>00 0215 485 0</b>	STRAIGHT CONNECTOR	L18	1	
22	<b>00 0249 780 0</b>	SCREW-IN FITTING	SDS-L18XG1/2A-TYPE E	1	
23	<b>00 1304 390 0</b>	VALVE		1	
24	<b>00 1992 832 0</b>	SOCKET HEAD SCREW	M8X60	3	
25	<b>00 1304 428 0</b>	SOLENOID VALVE		2	
26	<b>00 1307 412 0</b>	SOLENOID	M19P-12D-1.1A-DE	2	
27	<b>00 1304 389 0</b>	REVERSING VALVE		1	
28	<b>00 1304 429 0</b>	SOLENOID		1	
29	<b>00 0211 113 0</b>	LOCK NUT	M6	1	
30	<b>00 1301 536 0</b>	STUD BOLT	M6X55	1	
31	<b>00 0219 932 0</b>	STUD BOLT	M 6X 50	1	
32	<b>00 1300 066 0</b>	COVER PLATE	L DP-3-W1	1	
33	<b>00 0471 222 0</b>	CLAMP	L KP-3-G-23-PP	1	
34	<b>00 1301 432 0</b>	CLAMP	L KP - 4- R - 28 - PP	1	
35	<b>00 1300 067 0</b>	COVER PLATE	L DP-4-W1	1	



Thank you so much for reading.  
Please click the “Buy Now!”  
button below to download the  
complete manual.



After you pay.

You can download the most  
perfect and complete manual in  
the world immediately.

Our support email:

[ebooklibonline@outlook.com](mailto:ebooklibonline@outlook.com)