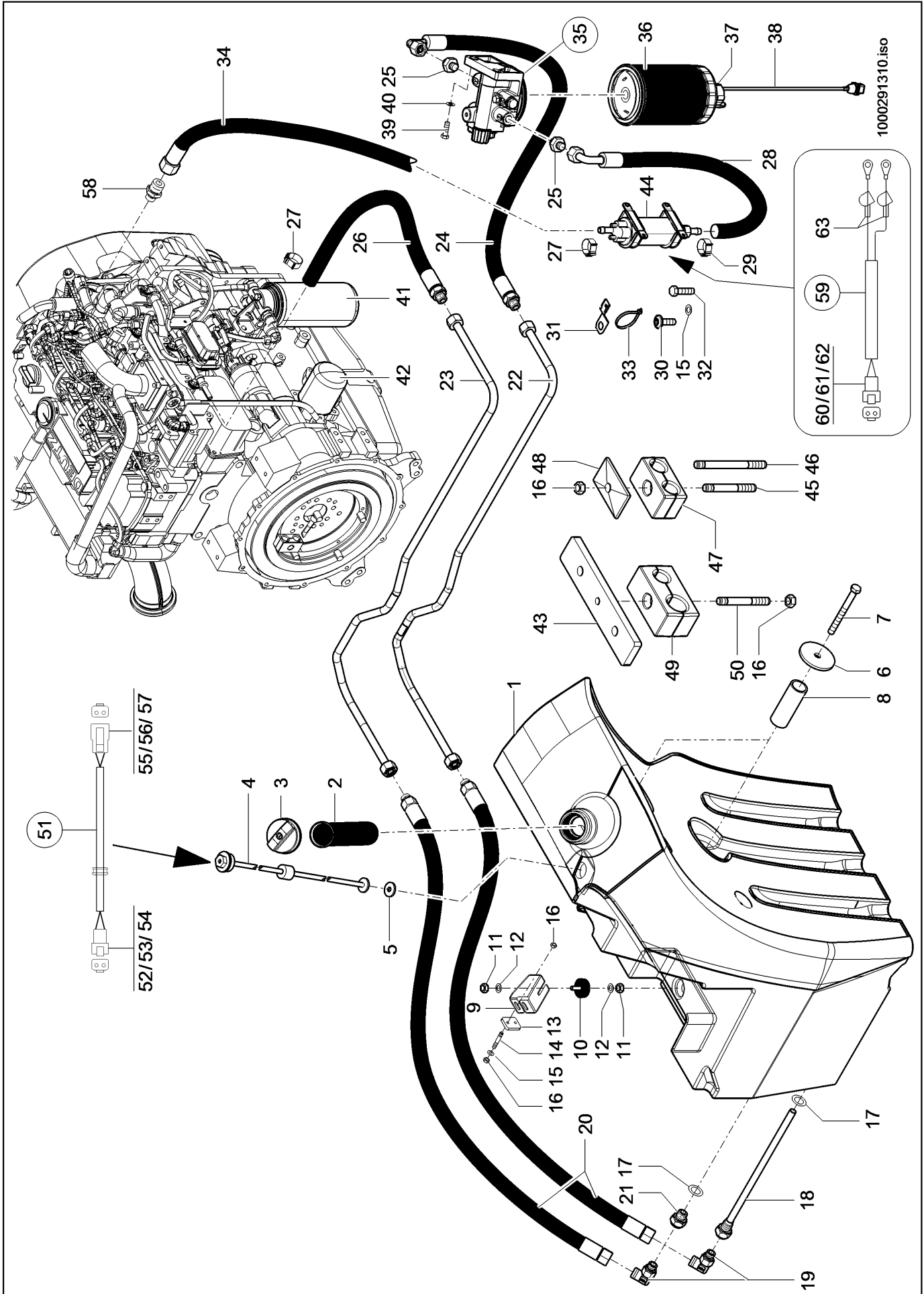


**100 ENGINE SUSPENSION**

<b>Pos.</b>	<b>Part No.</b>	<b>Description</b>	<b>Dimension</b>	<b>Quantity</b>	<b>Conditions</b>
1	<b>00 1304 572 0</b>	ENGINE	TCD 3.6 L4 90 KW 2300 MI	1	
2	<b>00 1304 575 0</b>	ENGINE	TCD 3.6 L4 90 KW 2300 MI	1	1)
3	<b>00 1305 336 0</b>	FLANGE	F. KUPPLUNG	1	
4	<b>00 0235 495 1</b>	SOCKET HEAD SCREW	M10X 25	12	
5	<b>00 1305 364 0</b>	CLUTCH		1	
6	<b>60 0502 645 4</b>	SCREW	M08X20	6	
7	<b>00 1304 373 0</b>	BEARING	30/31	2	
8	<b>00 1304 374 0</b>	BEARING	30/31	2	
9	<b>00 0237 383 0</b>	HEXAGON HEAD BOLT	M10X25	16	
10	<b>00 0479 671 0</b>	ADJUSTING DISC	14X60X1,0	1	
11	<b>00 0479 670 0</b>	ADJUSTING DISC	14X60X0,5	1	
12	<b>00 0479 672 0</b>	ADJUSTING DISC	14X60X1,5	1	
13	<b>00 1304 702 0</b>	BEARING	KPLT.	2	
14	<b>00 1304 683 0</b>	BEARING	KPLT.	1	
15	<b>00 1304 682 0</b>	BEARING	KPLT.	1	
16	<b>00 0237 761 1</b>	SOCKET HEAD SCREW	M12X 30	12	
17	<b>00 0237 572 0</b>	HEXAGON HEAD BOLT	M12X35	4	
<b>1)</b>	<b>Remarks</b>		DPF		

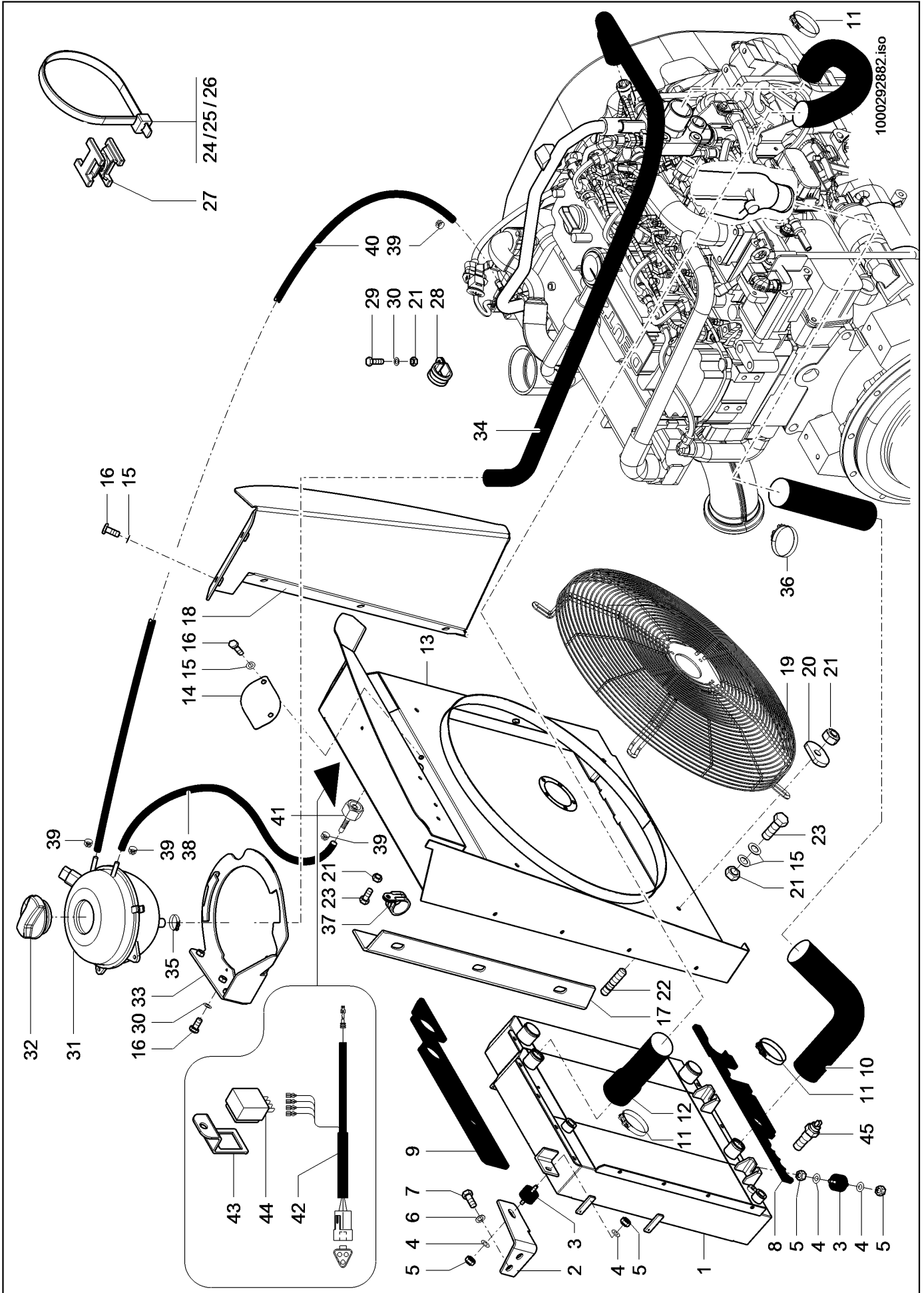


**100 FUEL TANK**

Pos.	Part No.	Description	Dimension	Quantity	Conditions
1	<b>00 1304 640 0</b>	FUEL TANK		1	
2	<b>00 1302 051 0</b>	FILL IN STRAINER		1	
3	<b>00 1305 708 0</b>	LOCKING COVER	KRAFTSTOFFTANK	1	
4	<b>00 1304 386 0</b>	SENDER UNIT	985 MM LG.	1	
6	<b>00 1301 418 0</b>	WASHER		1	
7	<b>00 0215 898 0</b>	HEXAGON HEAD BOLT	M16X160	1	
8	<b>00 1300 436 0</b>	SPACER TUBE		1	
9	<b>00 1304 610 0</b>	SUPPORT		1	
10	<b>00 1304 375 0</b>	BUFFER BUMPER	D 50X18-M10X38	1	
11	<b>00 0236 171 0</b>	HEXAGONAL NUT	M10	2	
12	<b>00 0237 592 0</b>	WASHER	D10,5X30X2,5	2	
13	<b>00 1304 795 0</b>	THREADED PLATE		1	
14	<b>00 0215 437 0</b>	STUD BOLT	M 8X 25	2	
15	<b>00 0237 816 0</b>	WASHER	8-8,4X24X2	4	
16	<b>00 0238 132 0</b>	LOCK NUT	M8	4	
17	<b>00 0217 982 0</b>	SEALING RING	A 22X29X1,5	2	
18	<b>00 1305 293 0</b>	CONNECTOR	I-B-M18X1,5	1	
19	<b>00 1301 585 0</b>	SCREW-IN FITTING	SDE-L15XM18X1, 5-TYPE H	1	
20	<b>00 0069 041 0</b>	HOSE PIPE		2	
21	<b>00 1306 214 0</b>	REDUCING ADAPTER	A-E-M22X1,5 - I-B-M18X1,	1	
22	<b>00 1304 757 0</b>	PIPE	KPLT.	1	
23	<b>00 1304 756 0</b>	PIPE	KPLT.	1	
24	<b>00 1305 405 0</b>	HOSE PIPE		1	
25	<b>00 1301 591 0</b>	SCREW-IN FITTING	SDS-L15XM16X1, 5-TYPE E	3	
26	<b>00 1305 432 0</b>	HOSE PIPE		1	
27	<b>00 1302 315 0</b>	CLAMP	COBRA 16/8	4	
28	<b>00 1305 431 0</b>	HOSE PIPE		1	
29	<b>00 0223 019 0</b>	CLAMP	COBRA 19/8	1	
30	<b>00 0237 439 0</b>	HEXAGON HEAD BOLT	M8X16	2	
31	<b>00 1302 326 0</b>	CLIP	F. DEUTSHSTECKER DT2 - SE		
32	<b>00 1301 477 0</b>	PANHEAD SCREW W. IN HEX.	M5X16	8	
33	<b>00 1301 792 0</b>	CABLE TIE	4,6 X 300 LAMELLENFUSS +	1	
34	<b>00 1306 075 0</b>	HOSE PIPE		1	
35	<b>00 1995 104 0</b>	FUEL PRE-FILTER		1	
36	<b>00 1995 121 0</b>	FILTER CARTRIDGE		1	
37	<b>00 1993 119 0</b>	SEALING RING		1	
38	<b>00 1993 118 0</b>	SENSOR CABLE		1	
39	<b>00 0237 383 0</b>	HEXAGON HEAD BOLT	M10X25	2	
40	<b>00 0215 683 0</b>	WASHER	10,5	2	
41	<b>00 1995 273 0</b>	FUEL FILTER		1	
42	<b>00 1302 948 0</b>	OIL FILTER		1	
43	<b>00 1304 737 0</b>	LEDGE		1	
44	<b>00 1994 852 0</b>	DELIVERY PUMP	12 V	1	
45	<b>00 1301 537 0</b>	STUD BOLT	M08X45	1	
46	<b>00 1301 539 0</b>	STUD BOLT	M8X75-8.8 A2C	1	
47	<b>00 1301 443 0</b>	CLAMP	Z KP-2-R-15-15-PP	2	
48	<b>00 0216 994 0</b>	COVER PLATE	Z DP-2-W1	2	
49	<b>00 1301 454 0</b>	CLAMP	Z KP-3-R-20-15-PP	2	
50	<b>00 0147 145 0</b>	STUD BOLT	M 8X 65	1	
51	<b>00 1306 653 0</b>	WIRE	KRAFTSTOFFVERSOR GUNG	1	

**100 FUEL TANK**

<b>Pos.</b>	<b>Part No.</b>	<b>Description</b>	<b>Dimension</b>	<b>Quantity</b>	<b>Conditions</b>
52	<b>00 0326 892 0</b>	PIN HOUSING	2-POLIG	1	
53	<b>00 1301 785 0</b>	PLUG	1,0 - 2,0	1	
54	<b>00 1301 763 0</b>	V-SHAPED ELEMENT	2-POLIG	1	
55	<b>00 0311 341 0</b>	PLUG	2-POLIG	1	
56	<b>00 1300 122 0</b>	BUSHING CONTACT	1,0 - 2,0	1	
57	<b>00 0311 306 0</b>	RETENTION	2-POLIG	1	
58	<b>00 0216 097 0</b>	STRAIGHT MALE CONNECTOR	SDS-L12XM16X1, 5-TYPE E	1	
59	<b>00 1306 081 0</b>	CABLE CPL.	ANSCHLUSS VORFOERDERPUMP	1	
60	<b>00 0326 892 0</b>	PIN HOUSING	2-POLIG	1	
61	<b>00 1301 785 0</b>	PLUG	1,0 - 2,0	2	
62	<b>00 1301 763 0</b>	V-SHAPED ELEMENT	2-POLIG	1	
63	<b>00 0132 358 0</b>	GUARD CAP	D12- D6- LG32	2	

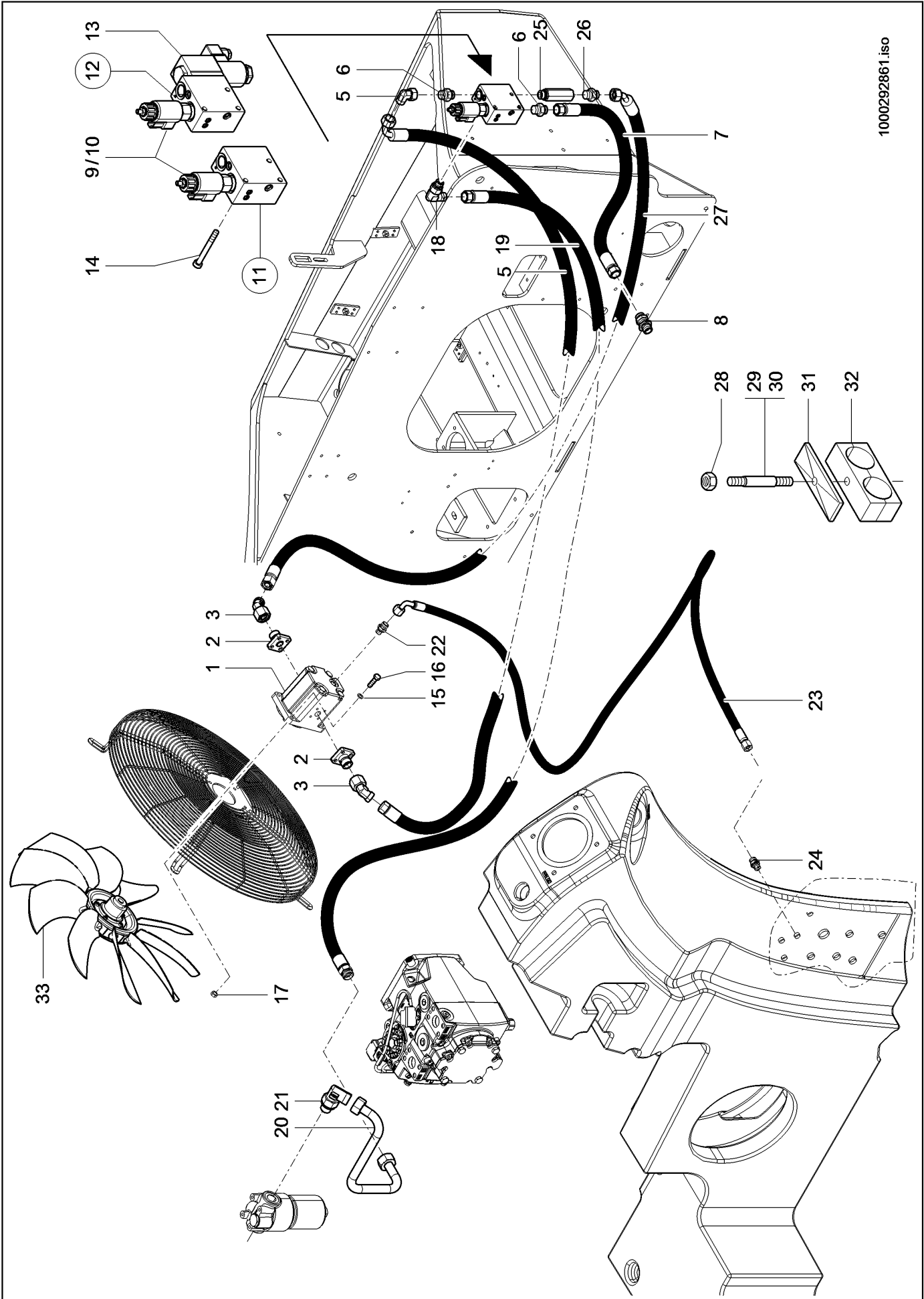


**140 ENGINE COOLER 1)**

Pos.	Part No.	Description	Dimension	Quantity	Conditions
1	<b>00 1304 703 1</b>	RADIATOR		1	
2	<b>00 1303 169 0</b>	SUPPORT		1	
3	<b>00 1304 412 0</b>	BEARING	D 50X30 M 10X25	3	
4	<b>00 0237 592 0</b>	WASHER	D10,5X30X2,5	6	
5	<b>00 0238 316 0</b>	LOCK NUT	M10	6	
6	<b>00 0237 592 0</b>	WASHER	D10,5X30X2,5	2	
7	<b>00 0237 570 0</b>	HEXAGON HEAD BOLT	M10X16	2	
8	<b>00 1304 825 0</b>	GASKET		1	
9	<b>00 1304 826 0</b>	GASKET		1	
10	<b>00 1304 711 0</b>	PRESHAPED TUBE		1	
11	<b>00 0217 447 0</b>	HOSE CLAMP	B1-58X15	4	
12	<b>00 1304 710 0</b>	PRESHAPED TUBE		1	
13	<b>00 1304 780 0</b>	DIVIDER PLATE		1	
14	<b>00 1304 699 0</b>	PLATE		1	
15	<b>00 0215 682 0</b>	WASHER	8,4	10	
16	<b>00 0237 439 0</b>	HEXAGON HEAD BOLT	M8X16	10	
17	<b>00 1304 858 0</b>	ANGLE		1	
18	<b>00 1306 424 0</b>	GUIDE PLATE	KÜHLER	1	
19	<b>00 1304 713 0</b>	GUARD SCREEN		1	
20	<b>00 1302 871 0</b>	WASHER	N.Z.	4	
21	<b>00 0238 132 0</b>	LOCK NUT	M8	8	
22	<b>00 0215 437 0</b>	STUD BOLT	M 8X 25	4	
23	<b>00 0237 442 0</b>	HEXAGON HEAD BOLT	M8X25	1	
24	<b>00 0689 560 0</b>	CABLE TIE	MIN.510 X 12,7 X 1,9	1	
25	<b>00 1301 791 0</b>	CABLE TIE	3,6X142	1	
26	<b>00 1301 790 0</b>	CABLE TIE	4,6X200	2	
27	<b>00 1305 220 0</b>	CONNECTION	DSWS4 26,3X20,3X18,01		
28	<b>00 0211 709 0</b>	HOLDER CLAMP	D1-50X25	1	
29	<b>00 0236 200 0</b>	HEXAGON HEAD BOLT	M8X20	1	
30	<b>00 0237 816 0</b>	WASHER	8-8,4X24X2	4	
31	<b>00 1300 321 0</b>	COMPENSATION RESERVOIR		1	
32	<b>00 1300 075 0</b>	VALVE COVER	AUSGLEICHSBEHAELT ER	1	
33	<b>00 1304 606 0</b>	SUPPORT	KPLT.	1	
34	<b>00 1305 111 0</b>	PRESHAPED TUBE		1	
35	<b>00 1302 911 0</b>	HOSE CLAMP	B1-30X15	1	
36	<b>00 0215 408 2</b>	HOSE CLAMP	A-16-27X9	1	
37	<b>00 0364 814 0</b>	CLAMP	D-25X20-10,5 ERS.D.03648	1	
38	<b>00 1301 462 0</b>	HOSE	8X3 - 2A NBR/CR	1	
39	<b>00 1301 444 0</b>	CLAMP	COBRA 12/8 SCHWARZ	4	
40	<b>00 1301 462 0</b>	HOSE	8X3 - 2A NBR/CR	0	
41	<b>00 0738 772 0</b>	CONNECTION	DN08 - N L10 (M16X1, 1 5)	1	
42	<b>00 1305 114 0</b>	CABLE HARNESS	KPLT.	1	
43	<b>00 1305 115 0</b>	SUPPORTING PLATE		1	
44	<b>00 1305 215 0</b>	AMPLIFIER		1	
45	<b>00 1300 175 0</b>	TEMPERAT.FEELER	40 - 120°C - M14X1,5	1	

**1) machine no.**

+ up to 416010119



1000292861.iso



**140 ENGINE COOLER**

Pos.	Part No.	Description	Dimension	Quantity	Conditions
1	<b>00 1300 598 1</b>	HYDRAULIC MOTOR	14 CCM BIDIRECTIONAL	1	
2	<b>00 0573 442 0</b>	FLANGE SUPPORT	GFS-L15-LK35-L23- OMD	2	
3	<b>00 0217 166 0</b>	ELBOW UNION		2	
4	<b>00 1305 462 0</b>	HOSE PIPE		1	
5	<b>00 0249 837 0</b>	ANGLE UNION	SWOE-L18	1	
6	<b>00 0249 780 0</b>	SCREW-IN FITTING	SDS-L18XG1/2A-TYPE E	2	
7	<b>00 1305 446 0</b>	HOSE PIPE		1	
8	<b>00 0215 485 0</b>	STRAIGHT CONNECTOR	L18	1	
9	<b>00 1304 428 0</b>	SOLENOID VALVE		2	
10	<b>00 1307 412 0</b>	SOLENOID	M19P-12D-1.1A-DE	2	
11	<b>00 1304 390 0</b>	VALVE		1	
12	<b>00 1304 389 0</b>	REVERSING VALVE		1	
13	<b>00 1304 429 0</b>	SOLENOID		3	
14	<b>00 1992 832 0</b>	SOCKET HEAD SCREW	M8X60	4	
15	<b>00 0215 682 0</b>	WASHER	8,4	4	
16	<b>00 0237 442 0</b>	HEXAGON HEAD BOLT	M8X25	4	
17	<b>00 0238 132 0</b>	LOCK NUT	M8	1	
18	<b>00 1301 577 0</b>	SCREW-IN FITTING	SDE-L18XG1/2A-TYPE H	1	
19	<b>00 1305 463 0</b>	HOSE PIPE		1	
20	<b>00 1304 820 0</b>	PIPE	KPLT.	1	
21	<b>00 1301 603 0</b>	SCREW-IN FITTING	SDE-L18XM22X1, 5-TYPE H	1	
22	<b>00 0249 774 0</b>	SCREW-IN FITTING	SDS-L10XG1/4A-TYPE E	1	
23	<b>00 1305 345 0</b>	HOSE PIPE		1	
24	<b>00 0250 004 0</b>	SCREW-IN FITTING	SDS-L10XM14X1, 5-TYPE E	1	
25	<b>00 1305 541 0</b>	REDUCING ADAPTER	G1/2 - G1/2 80 MM LG.	1	
26	<b>00 0249 780 0</b>	SCREW-IN FITTING	SDS-L18XG1/2A-TYPE E	1	
27	<b>00 1305 461 0</b>	HOSE PIPE		1	
28	<b>00 0238 132 0</b>	LOCK NUT	M8	3	
29	<b>00 1301 538 0</b>	STUD BOLT	M8X55-8.8 A2C	1	
30	<b>00 1301 540 0</b>	STUD BOLT	M8X90	2	
31	<b>00 1300 064 0</b>	COVER PLATE	Z DP-3-W1 ERS.D.313226.	3	
32	<b>00 1301 453 0</b>	CLAMP	Z KP-3-R-24-24-PP	5	
33	<b>00 1304 607 0</b>	FAN WHEEL	600 MM	1	

Thank you so much for reading.  
Please click the “Buy Now!”  
button below to download the  
complete manual.



After you pay.

You can download the most  
perfect and complete manual in  
the world immediately.

Our support email:

[ebooklibonline@outlook.com](mailto:ebooklibonline@outlook.com)