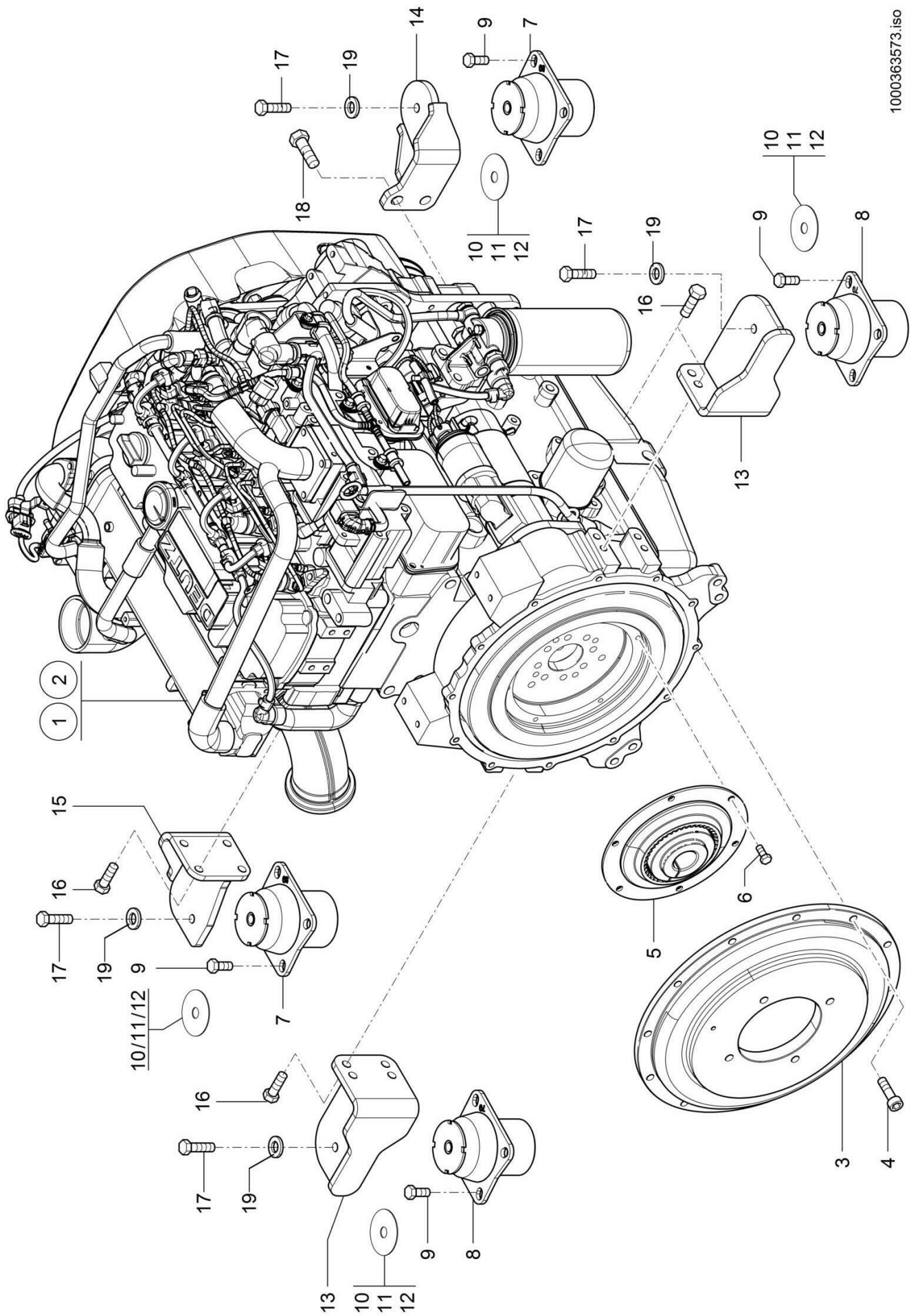


100 ENGINE SUSPENSION

Pos.	Part No.	Description	Dimension	Quantity	Conditions
1	00 1307 196 0	DIESEL ENGINE	TCD 3.6 S4 100 KW 2300 M	1	
2	00 1307 197 0	DIESEL ENGINE	TCD 3.6 S4 100 KW 2300 M	1	1)
3	00 1305 336 0	FLANGE	F. KUPPLUNG	1	
4	00 0235 495 1	SOCKET HEAD SCREW	M10X 25	12	
5	00 1305 364 0	CLUTCH		1	
6	60 0502 645 4	SCREW	M08X20	6	
7	00 1304 373 0	BEARING	30/31	2	
8	00 1304 374 0	BEARING	30/31	2	
9	00 0237 383 0	HEXAGON HEAD BOLT	M10X25	16	
10	00 0479 671 0	ADJUSTING DISC	14X60X1,0	1	
11	00 0479 670 0	ADJUSTING DISC	14X60X0,5	1	
12	00 0479 672 0	ADJUSTING DISC	14X60X1,5	1	
13	00 1304 702 0	BEARING	KPLT.	2	
14	00 1304 683 0	BEARING	KPLT.	1	
15	00 1304 682 0	BEARING	KPLT.	1	
16	00 0237 761 1	SOCKET HEAD SCREW	M12X 30	12	
17	00 0237 572 0	HEXAGON HEAD BOLT	M12X35	4	
18	00 0236 230 0	HEXAGON HEAD BOLT	M16X35	2	
19	00 1301 406 0	WASHER	13 ST A2C	4	
1)	Remarks		LRC		



100 ENGINE SUSPENSION

Pos.	Part No.	Description	Dimension	Quantity	Conditions
1	00 1307 336 0	ENGINE	TCD 3.6 S4 100 KW 2300 M	1	
2	00 1307 197 0	DIESEL ENGINE	TCD 3.6 S4 100 KW 2300 M	1	
3	00 1305 336 0	FLANGE	F. KUPPLUNG	1	
4	00 0235 495 1	SOCKET HEAD SCREW	M10X 25	12	
5	00 1305 364 0	CLUTCH		1	
6	60 0502 645 4	SCREW	M08X20	6	
7	00 1304 373 0	BEARING	30/31	2	
8	00 1304 374 0	BEARING	30/31	2	
9	00 0237 383 0	HEXAGON HEAD BOLT	M10X25	16	
10	00 0479 671 0	ADJUSTING DISC	14X60X1,0	1	
11	00 0479 670 0	ADJUSTING DISC	14X60X0,5	1	
12	00 0479 672 0	ADJUSTING DISC	14X60X1,5	1	
13	00 1304 702 0	BEARING	KPLT.	2	
14	00 1304 683 0	BEARING	KPLT.	1	
15	00 1304 682 0	BEARING	KPLT.	1	
16	00 0237 761 1	SOCKET HEAD SCREW	M12X 30	12	
17	00 0237 572 0	HEXAGON HEAD BOLT	M12X35	4	
18	00 0236 230 0	HEXAGON HEAD BOLT	M16X35	2	
19	00 1301 406 0	WASHER	13 ST A2C	4	

100 FUEL TANK 1)

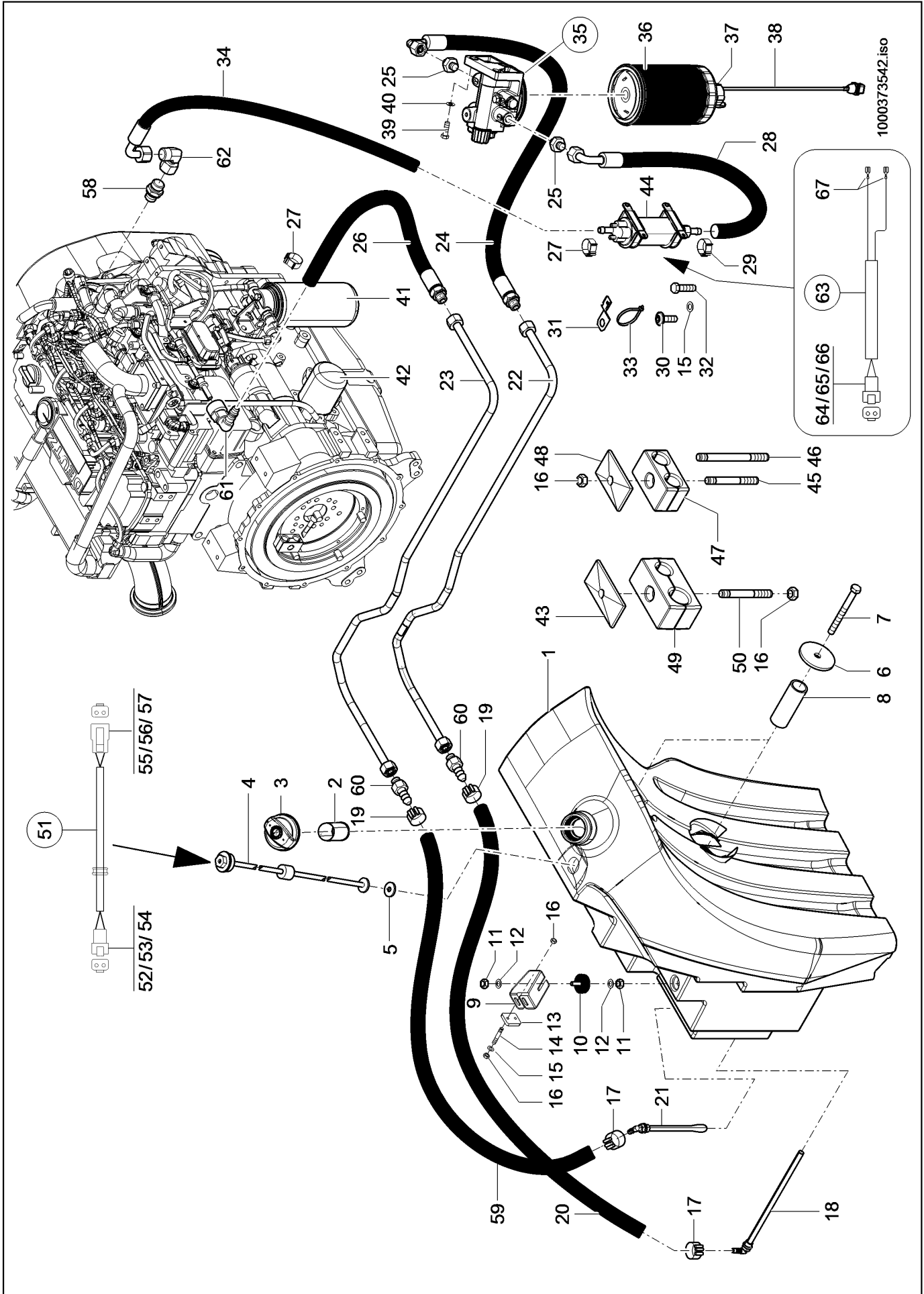
Pos.	Part No.	Description	Dimension	Quantity	Conditions
1	00 1307 430 0	FUEL TANK		1	
2	00 1302 051 0	FILL IN STRAINER		1	
3	00 1305 708 0	LOCKING COVER	KRAFTSTOFFTANK	1	
4	00 1304 386 0	SENDER UNIT	985 MM LG.	1	
5	#NV			1	
6	00 1301 418 0	WASHER		1	
7	00 0215 898 0	HEXAGON HEAD BOLT	M16X160	1	
8	00 1300 436 0	SPACER TUBE		1	
9	00 1304 610 0	SUPPORT		1	
10	00 1304 375 0	BUFFER BUMPER	D 50X18-M10X38	1	
11	00 0236 171 0	HEXAGONAL NUT	M10	2	
12	00 0237 592 0	WASHER	D10,5X30X2,5	2	
13	00 1304 795 0	THREADED PLATE		1	
14	00 0215 437 0	STUD BOLT	M 8X 25	2	
15	00 0237 816 0	WASHER	8-8,4X24X2	4	
16	00 0238 132 0	LOCK NUT	M8	4	
17	00 0223 019 0	CLAMP	COBRA 19/8	1	
18	00 1307 616 0	SOCKET	"WES-12-R 1/2"" 381 MM	1	
19	00 1301 801 0	CLAMP	18,5-20, 0X8-COBRA18/8-WE	1	
20	00 1306 776 0	FUEL HOSE	12X3,5X5000	2	
21	00 1307 615 0	SOCKET	"WES-12-R 1/2"" 223 MM L	1	
22	00 1304 757 0	PIPE	KPLT.	1	
23	00 1304 756 0	PIPE	KPLT.	1	
24	00 1305 405 0	HOSE PIPE		1	
25	00 1301 591 0	SCREW-IN FITTING	SDS-L15XM16X1, 5-TYPE E	3	
26	00 1305 432 0	HOSE PIPE		1	
27	00 1302 315 0	CLAMP	COBRA 16/8	4	
28	00 1305 431 0	HOSE PIPE		1	
29	00 0223 019 0	CLAMP	COBRA 19/8	1	
30	00 0237 439 0	HEXAGON HEAD BOLT	M8X16	2	
31	00 1302 326 0	CLIP	F. DEUTSHSTECKER DT2 - SE		
32	00 0216 541 0	SCREW	M5X16	8	
33	00 1301 792 0	CABLE TIE	4,6 X 300 LAMELLENFUSS +	1	
34	00 1307 594 0	HOSE PIPE		1	
35	00 1995 104 0	FUEL PRE-FILTER		1	
36	00 1995 121 0	FILTER CARTRIDGE		1	
37	00 1993 119 0	SEALING RING		1	
38	00 1993 118 0	SENSOR CABLE		1	
39	00 0237 383 0	HEXAGON HEAD BOLT	M10X25	2	
40	00 0215 683 0	WASHER	10,5	2	
41	00 1995 273 0	FUEL FILTER		1	
42	00 1302 948 0	OIL FILTER		1	
43	00 0313 226 0	COVER PLATE	Z DP-3-W3	1	
44	00 1994 852 0	DELIVERY PUMP	12 V	1	
45	00 1301 537 0	STUD BOLT	M08X45	1	
46	00 1301 539 0	STUD BOLT	M8X75-8.8 A2C	1	
47	00 1301 443 0	CLAMP	Z KP-2-R-15-15-PP	2	
48	00 0216 994 0	COVER PLATE	Z DP-2-W1	2	
49	00 1301 454 0	CLAMP	Z KP-3-R-20-15-PP	2	
50	00 0147 145 0	STUD BOLT	M 8X 65	1	

100 FUEL TANK 1)

Pos.	Part No.	Description	Dimension	Quantity	Conditions
51	00 1306 653 0	WIRE	KRAFTSTOFFVERSOR GUNG	1	
52	00 0326 892 0	PIN HOUSING	2-POLIG	1	
53	00 1301 785 0	PLUG	1,0 - 2,0	1	
54	00 1301 763 0	V-SHAPED ELEMENT	2-POLIG	1	
55	00 0311 341 0	PLUG	2-POLIG	1	
56	00 1300 122 0	BUSHING CONTACT	1,0 - 2,0	1	
57	00 0311 306 0	RETENTION	2-POLIG	1	
58	00 0216 097 0	STRAIGHT MALE CONNECTOR	SDS-L12XM16X1, 5-TYPE E	1	
59	00 1306 776 0	FUEL HOSE	12X3,5X5000	0	
60	00 1307 618 0	HOSE FITTING	S L15 X 12 DN 12 C	2	
61	00 1307 494 0	CONNECTOR	90° NW8-10 ADBLUE	1	
62	00 0249 835 0	ELBOW UNION	SWOE-L12	1	

1) machine no.

+ up to 416110012

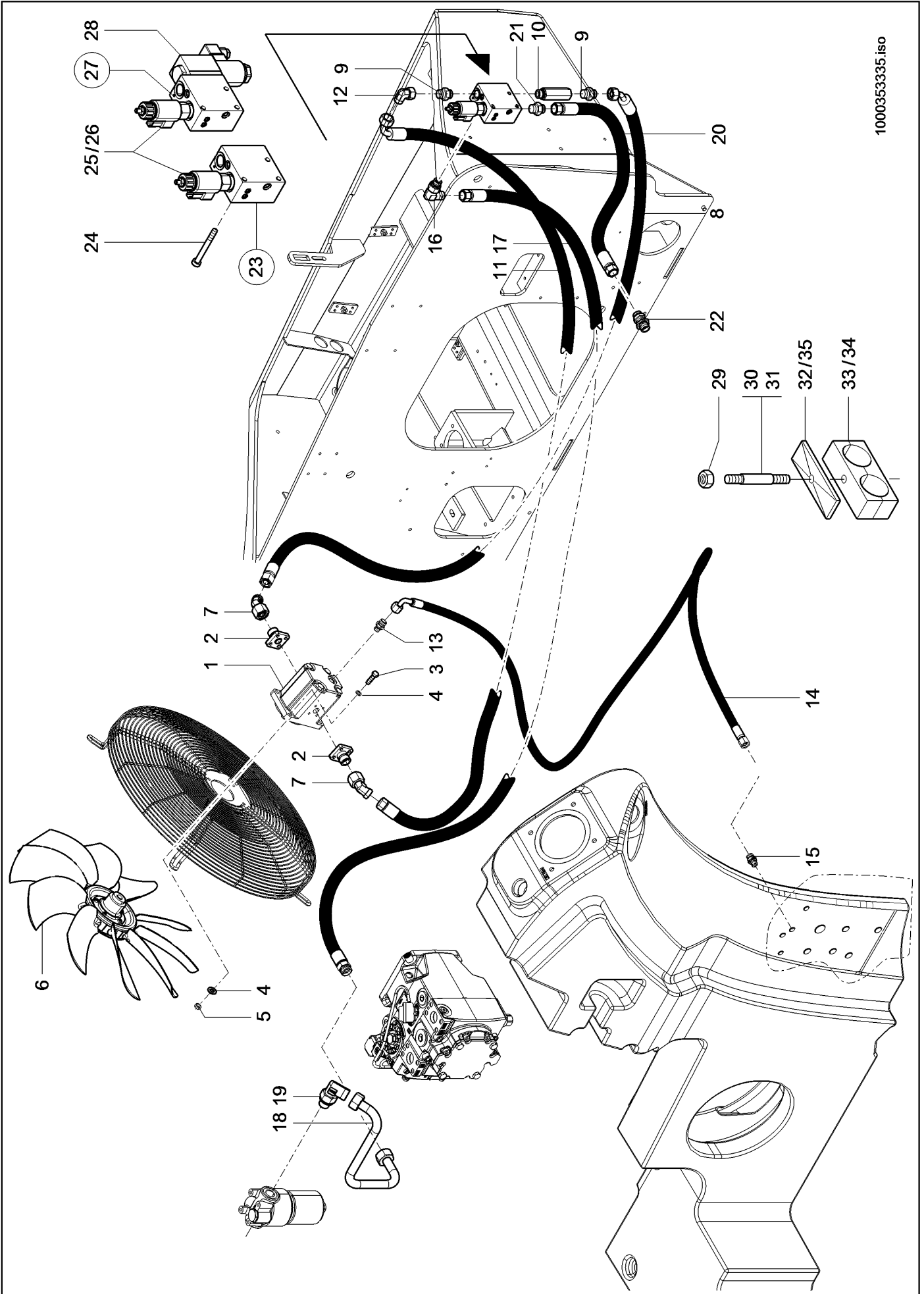


100 FUEL TANK 1)

Pos.	Part No.	Description	Dimension	Quantity	Conditions
1	00 1307 430 0	FUEL TANK		1	
2	00 1302 051 0	FILL IN STRAINER		1	
3	00 1305 708 0	LOCKING COVER	KRAFTSTOFFTANK	1	
4	00 1304 386 0	SENDER UNIT	985 MM LG.	1	
5	#NV			1	
6	00 1301 418 0	WASHER		1	
7	00 0215 898 0	HEXAGON HEAD BOLT	M16X160	1	
8	00 1300 436 0	SPACER TUBE		1	
9	00 1304 610 0	SUPPORT		1	
10	00 1304 375 0	BUFFER BUMPER	D 50X18-M10X38	1	
11	00 0236 171 0	HEXAGONAL NUT	M10	2	
12	00 0237 592 0	WASHER	D10,5X30X2,5	2	
13	00 1304 795 0	THREADED PLATE		1	
14	00 0215 437 0	STUD BOLT	M 8X 25	2	
15	00 0237 816 0	WASHER	8-8,4X24X2	4	
16	00 0238 132 0	LOCK NUT	M8	4	
17	00 0223 019 0	CLAMP	COBRA 19/8	1	
18	00 1307 616 0	SOCKET	"WES-12-R 1/2"" 381	1	
19	00 1301 801 0	CLAMP	MM 18,5-20,	1	
20	00 1306 776 0	FUEL HOSE	0X8-COBRA18/8-WE 12X3,5X5000	2	
21	00 1307 615 0	SOCKET	"WES-12-R 1/2"" 223	1	
22	00 1304 757 0	PIPE	MM L KPLT.	1	
23	00 1304 756 0	PIPE	KPLT.	1	
24	00 1305 405 0	HOSE PIPE		1	
25	00 1301 591 0	SCREW-IN FITTING	SDS-L15XM16X1, 5-TYPE E	3	
26	00 1305 432 0	HOSE PIPE		1	
27	00 1302 315 0	CLAMP	COBRA 16/8	4	
28	00 1305 431 0	HOSE PIPE		1	
29	00 0223 019 0	CLAMP	COBRA 19/8	1	
30	00 0237 439 0	HEXAGON HEAD BOLT	M8X16	2	
31	00 1302 326 0	CLIP	F. DEUTSHSTECKER DT2 - SE		
32	00 1301 477 0	PANHEAD SCREW W. IN HEX.	M5X16	8	
33	00 1301 792 0	CABLE TIE	4,6 X 300 LAMELLENFUSS +	1	
34	00 1307 594 0	HOSE PIPE		1	
35	00 1995 104 0	FUEL PRE-FILTER		1	
36	00 1995 121 0	FILTER CARTRIDGE		1	
37	00 1993 119 0	SEALING RING		1	
38	00 1993 118 0	SENSOR CABLE		1	
39	00 0237 383 0	HEXAGON HEAD BOLT	M10X25	2	
40	00 0215 683 0	WASHER	10,5	2	
41	00 1995 273 0	FUEL FILTER		1	
42	00 1302 948 0	OIL FILTER		1	
43	00 1300 064 0	COVER PLATE	Z DP-3-W1 ERS.D.313226.	1	
44	00 1994 852 1	DELIVERY PUMP	12 V	1	
45	00 1301 537 0	STUD BOLT	M08X45	1	
46	00 1301 539 0	STUD BOLT	M8X75-8.8 A2C	1	
47	00 1301 443 0	CLAMP	Z KP-2-R-15-15-PP	2	
48	00 0216 994 0	COVER PLATE	Z DP-2-W1	2	
49	00 1301 454 0	CLAMP	Z KP-3-R-20-15-PP	2	

100 FUEL TANK 1)

Pos.	Part No.	Description	Dimension	Quantity	Conditions
50	00 0147 145 0	STUD BOLT	M 8X 65	1	
51	00 1306 653 0	WIRE	KRAFTSTOFFVERSOR GUNG	1	
52	00 0326 892 0	PIN HOUSING	2-POLIG	1	
53	00 1301 785 0	PLUG	1,0 - 2,0	1	
54	00 1301 763 0	V-SHAPED ELEMENT	2-POLIG	1	
55	00 0311 341 0	PLUG	2-POLIG	1	
56	00 1300 122 0	BUSHING CONTACT	1,0 - 2,0	1	
57	00 0311 306 0	RETENTION	2-POLIG	1	
58	00 0216 097 0	STRAIGHT MALE CONNECTOR	SDS-L12XM16X1, 5-TYPE E	1	
59	00 1306 776 0	FUEL HOSE	12X3,5X5000	0	
60	00 1307 618 0	HOSE FITTING	S L15 X 12 DN 12 C	2	
61	00 1307 494 0	CONNECTOR	90° NW8-10 ADBLUE	1	
62	00 0249 835 0	ELBOW UNION	SWOE-L12	1	
63	00 1307 689 0	CABLE HARNESS	ANSCHLUSS VORFOERDERPUMP	1	
64	00 0326 892 0	PIN HOUSING	2-POLIG	1	
65	00 1301 785 0	PLUG	1,0 - 2,0	2	
66	00 1301 763 0	V-SHAPED ELEMENT	2-POLIG	1	
1)	machine no.				+ from 416110013



1000353335.iso

140 ENGINE COOLER

Pos.	Part No.	Description	Dimension	Quantity	Conditions
1	00 1300 598 1	HYDRAULIC MOTOR	14 CCM BIDIRECTIONAL	1	
2	00 0808 783 0	ANGLE FLANGE	WFS-L15-LK35	2	
3	00 0237 370 0	HEXAGON HEAD BOLT	M8X30	4	
4	00 0215 682 0	WASHER	8,4	8	
5	00 0238 132 0	LOCK NUT	M8	4	
6	00 1307 392 0	FAN WHEEL	630 MM	2	
7	00 0217 166 0	ELBOW UNION		2	
8	00 1305 461 0	HOSE PIPE		1	
9	00 0249 780 0	SCREW-IN FITTING	SDS-L18XG1/2A-TYPE E	2	
10	00 1305 541 0	REDUCING ADAPTER	G1/2 - G1/2 80 MM LG.	1	
11	00 1305 462 0	HOSE PIPE		1	
12	00 0249 837 0	ANGLE UNION	SWOE-L18	1	
13	00 0249 774 0	SCREW-IN FITTING	SDS-L10XG1/4A-TYPE E	1	
14	00 1305 862 0	HOSE PIPE		1	
15	00 0250 004 0	SCREW-IN FITTING	SDS-L10XM14X1, 5-TYPE E	1	
16	00 1301 577 0	SCREW-IN FITTING	SDE-L18XG1/2A-TYPE H	1	
17	00 1305 463 0	HOSE PIPE		1	
18	00 1304 820 0	PIPE	KPLT.	1	
19	00 1301 603 0	SCREW-IN FITTING	SDE-L18XM22X1, 5-TYPE H	1	
20	00 1305 446 0	HOSE PIPE		1	
21	00 0215 485 0	STRAIGHT CONNECTOR	L18	1	
22	00 0249 780 0	SCREW-IN FITTING	SDS-L18XG1/2A-TYPE E	1	
23	00 1304 390 0	VALVE		1	
24	00 1992 832 0	SOCKET HEAD SCREW	M8X60	3	
25	00 1304 428 0	SOLENOID VALVE		2	
26	00 1307 412 0	SOLENOID	M19P-12D-1.1A-DE	2	
27	00 1304 389 0	REVERSING VALVE		1	
28	00 1304 429 0	SOLENOID		1	
29	00 0211 113 0	LOCK NUT	M6	1	
30	00 1301 536 0	STUD BOLT	M6X55	1	
31	00 0219 932 0	STUD BOLT	M 6X 50	1	
32	00 1300 066 0	COVER PLATE	L DP-3-W1	1	
33	00 0471 222 0	CLAMP	L KP-3-G-23-PP	1	
34	00 1301 432 0	CLAMP	L KP - 4- R - 28 - PP	1	
35	00 1300 067 0	COVER PLATE	L DP-4-W1	1	

Thank you so much for reading.
Please click the “Buy Now!”
button below to download the
complete manual.



After you pay.

You can download the most
perfect and complete manual in
the world immediately.

Our support email:

ebooklibonline@outlook.com