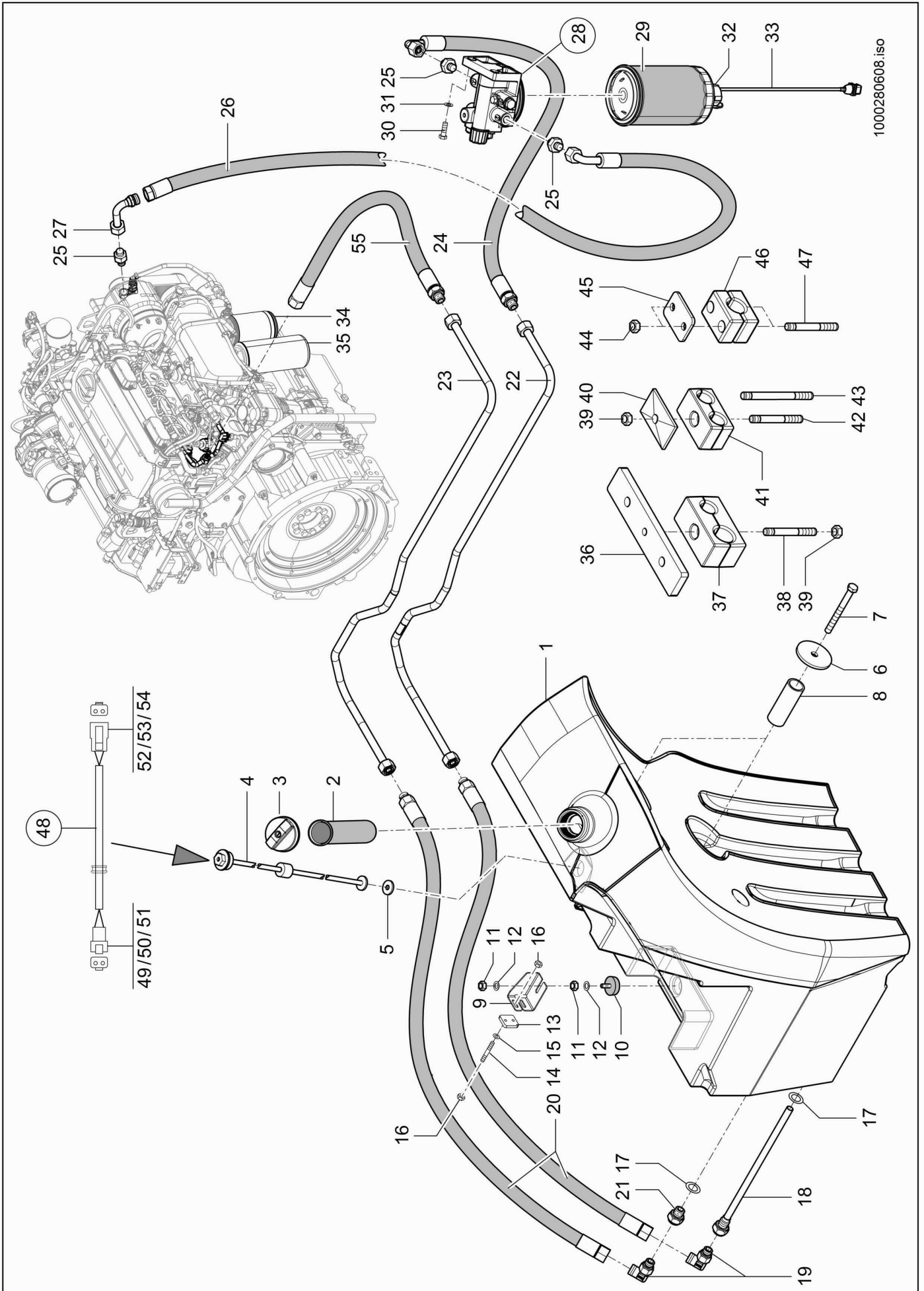


1000287327.iso

100 ENGINE SUSPENSION

| Pos. | Part No. | Description | Dimension | Quantity | Conditions |
|------|----------------------|-------------------------------|-----------------------------|----------|------------|
| 1 | 00 1304 573 0 | DIESEL ENGINE | TCD 4.1 L4 115 KW 2300 M | 1 | 1) |
| 2 | 00 1304 574 0 | DIESEL ENGINE | TCD 4.1 L4 115 KW 2300 M | 1 | 2) |
| 3 | 00 1304 373 0 | BEARING | 30/31 | 2 | |
| 4 | 00 1304 608 0 | BEARING | | 1 | |
| 5 | 00 0237 572 0 | HEXAGON HEAD BOLT | M12X35 | 4 | |
| 6 | 00 0237 383 0 | HEXAGON HEAD BOLT | M10X25 | 16 | |
| 7 | 00 0215 683 0 | WASHER | 10,5 | 16 | |
| 8 | 00 0237 572 0 | HEXAGON HEAD BOLT | M12X35 | 4 | |
| 9 | 00 0218 512 0 | WASHER | A13-13X24X2,5 | 4 | |
| 10 | 00 1304 609 0 | BEARING | KPLT. | 1 | |
| 11 | 00 0237 461 0 | HEXAGON HEAD BOLT | M12X30 | 8 | |
| 12 | 00 1304 775 0 | BEARING | KPLT. | 2 | |
| 13 | 00 1304 374 0 | BEARING | 30/31 | 2 | |
| 14 | 00 1305 311 0 | FLANGE | F. KUPPLUNG | 1 | |
| 15 | 00 1304 397 0 | CLUTCH | | 1 | |
| 16 | 50 0300 903 6 | HEX. SOCKET CHEESE-HEAD SCREW | M10X20 | 8 | |
| 17 | 00 0223 022 0 | STUD BOLT | M10X20 | 2 | |
| 18 | 00 0236 171 0 | HEXAGONAL NUT | M10 | 2 | |
| 19 | 00 0479 671 0 | ADJUSTING DISC | 14X60X1,0 | 1 | |
| 20 | 00 0479 670 0 | ADJUSTING DISC | 14X60X0,5 | 1 | |
| 21 | 00 0479 672 0 | ADJUSTING DISC | 14X60X1,5 | 1 | |
| 22 | 00 0235 495 1 | SOCKET HEAD SCREW | M10X 25 | 10 | |
| 23 | 00 1305 247 0 | DIESEL ENGINE | TCD 4.1 L4 115 KW 2300 M | 1 | 3) |
| 24 | 00 1305 248 0 | DIESEL ENGINE | TCD4.1L4 115KW 2300MIN-1 | 1 | 4) |
| 25 | 00 1305 627 0 | ENGINE | TCD 4.1 L4 115 KW 2300 M | 1 | 5) |
| 26 | 00 1305 628 0 | ENGINE | TCD 4.1 L4 115KW 2300MIN | 1 | 6) |

| | | |
|-----------|----------------|---|
| 1) | Remarks | HRC, Emission Standard 3b |
| 2) | Remarks | HRC, Emission Standard 3b with air compressor |
| 3) | Remarks | LRC, Emission Standard 3a |
| 4) | Remarks | LRC, Emission Standard 3a with air compressor |
| 5) | Remarks | HRC, AC, Emission Standard 3b |
| 6) | Remarks | LRC, AC, Emission Standard 3a |



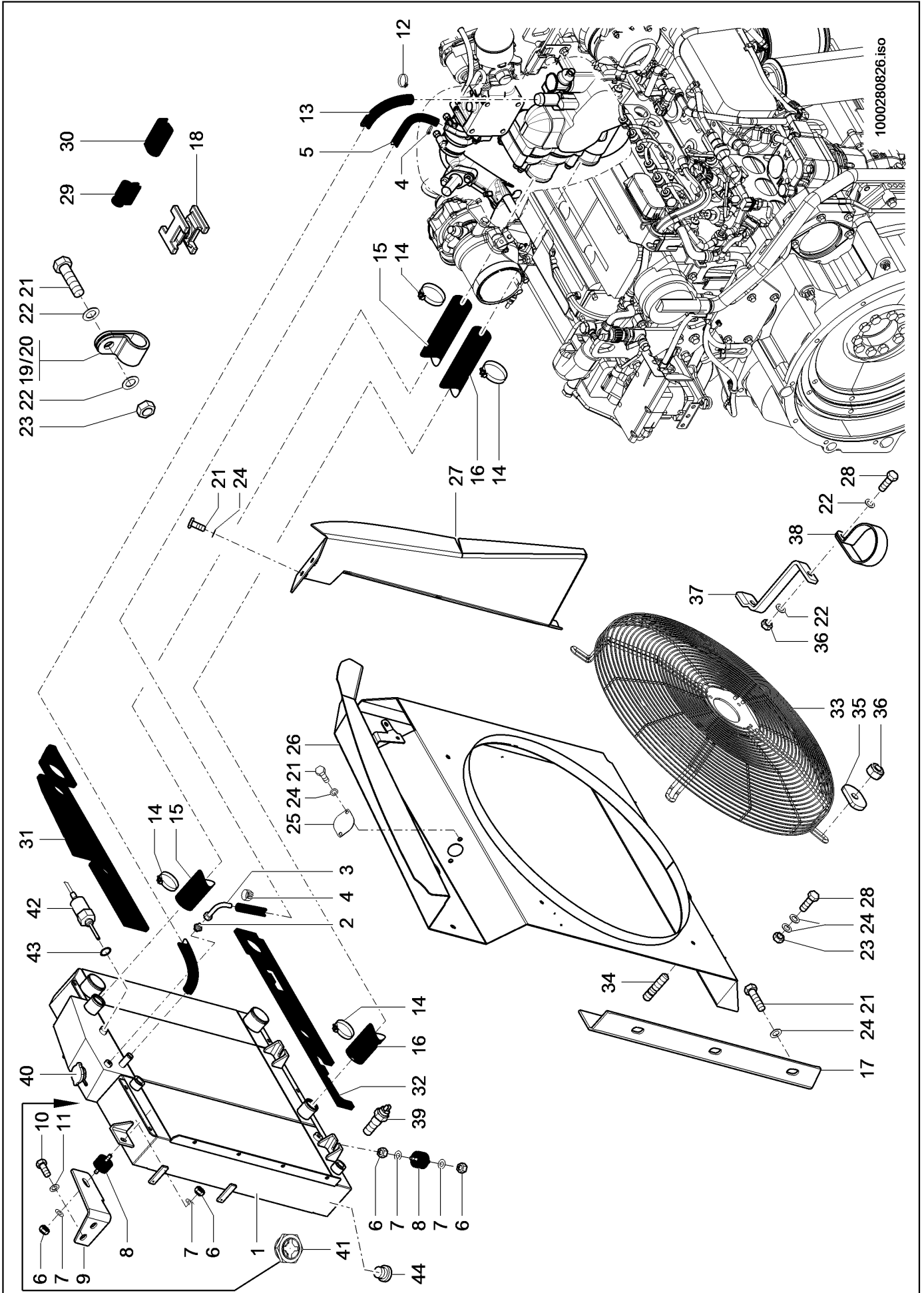
1000280608.iso

100 FUEL TANK

| Pos. | Part No. | Description | Dimension | Quantity | Conditions |
|------|----------------------|-------------------|-----------------------------|----------|------------|
| 1 | 00 1304 640 0 | FUEL TANK | | 1 | |
| 2 | 00 1302 051 0 | FILL IN STRAINER | | 1 | |
| 3 | 00 1305 708 0 | LOCKING COVER | KRAFTSTOFFTANK | 1 | |
| 4 | 00 1304 386 0 | SENDER UNIT | 985 MM LG. | 1 | |
| 6 | 00 1301 418 0 | WASHER | | 2 | |
| 7 | 00 0215 898 0 | HEXAGON HEAD BOLT | M16X160 | 2 | |
| 8 | 00 1300 436 0 | SPACER TUBE | | 2 | |
| 9 | 00 1304 610 0 | SUPPORT | | 1 | |
| 10 | 00 1304 375 0 | BUFFER BUMPER | D 50X18-M10X38 | 1 | |
| 11 | 00 0238 316 0 | LOCK NUT | M10 | 2 | |
| 12 | 00 0237 592 0 | WASHER | D10,5X30X2,5 | 2 | |
| 13 | 00 1304 795 0 | THREADED PLATE | | 1 | |
| 14 | 00 0215 437 0 | STUD BOLT | M 8X 25 | 2 | |
| 15 | 00 0237 816 0 | WASHER | 8-8,4X24X2 | 2 | |
| 16 | 00 0238 132 0 | LOCK NUT | M8 | 2 | |
| 17 | 00 0217 982 0 | SEALING RING | A 22X29X1,5 | 2 | |
| 18 | 00 1305 293 0 | CONNECTOR | I-B-M18X1,5 | 1 | |
| 19 | 00 1301 585 0 | SCREW-IN FITTING | SDE-L15XM18X1, 5-TYPE H | 2 | |
| 20 | 00 0069 041 0 | HOSE PIPE | | 2 | |
| 21 | 00 1306 214 0 | REDUCING ADAPTER | A-E-M22X1,5 - I-B-M18X1, | 1 | |
| 22 | 00 1304 757 0 | PIPE | KPLT. | 1 | |
| 23 | 00 1304 756 0 | PIPE | KPLT. | 1 | |
| 24 | 00 1305 405 0 | HOSE PIPE | | 1 | |
| 25 | 00 1301 591 0 | SCREW-IN FITTING | SDS-L15XM16X1, 5-TYPE E | 3 | |
| 26 | 00 1305 399 0 | HOSE PIPE | | 1 | |
| 27 | 00 1301 079 0 | TUBE ELBOW | L15 (M22X1,5) A3C | 1 | |
| 28 | 00 1302 434 0 | FILTER HEAD | | 1 | |
| 29 | 00 1993 117 0 | FILTER CARTRIDGE | | 1 | |
| 30 | 00 0237 383 0 | HEXAGON HEAD BOLT | M10X25 | 2 | |
| 31 | 00 0215 683 0 | WASHER | 10,5 | 2 | |
| 32 | 00 1993 119 0 | SEALING RING | | 1 | |
| 33 | 00 1993 118 0 | SENSOR CABLE | | 1 | |
| 34 | 00 1302 277 0 | FUEL FILTER | | 1 | |
| 35 | 00 1302 276 1 | ENGINE OIL FILTER | | 1 | |
| 36 | 00 1304 737 0 | LEDGE | | 1 | |
| 37 | 00 1301 454 0 | CLAMP | Z KP-3-R-20-15-PP | 1 | |
| 38 | 00 0147 145 0 | STUD BOLT | M 8X 65 | 1 | |
| 39 | 00 0238 132 0 | LOCK NUT | M8 | 3 | |
| 40 | 00 0216 994 0 | COVER PLATE | Z DP-2-W1 | 2 | |
| 41 | 00 1301 443 0 | CLAMP | Z KP-2-R-15-15-PP | 2 | |
| 42 | 00 1301 537 0 | STUD BOLT | M08X45 | 1 | |
| 43 | 00 1301 539 0 | STUD BOLT | M8X75-8.8 A2C | 1 | |
| 44 | 00 0211 113 0 | LOCK NUT | M6 | 6 | |
| 45 | 00 0313 626 0 | COVER PLATE | L DP-2-W1 ERS.D. 0211 53 | 3 | |
| 46 | 00 1301 447 0 | CLAMP | L KP-3-R-20-PA | 1 | |
| 47 | 00 0219 932 0 | STUD BOLT | M 6X 50 | 1 | |
| 48 | 00 1306 653 0 | WIRE | KRAFTSTOFFVERSOR GUNG | 1 | |
| 49 | 00 0326 892 0 | PIN HOUSING | 2-POLIG | 1 | |
| 50 | 00 1301 785 0 | PLUG | 1,0 - 2,0 | 1 | |
| 51 | 00 1301 763 0 | V-SHAPED ELEMENT | 2-POLIG | 1 | |

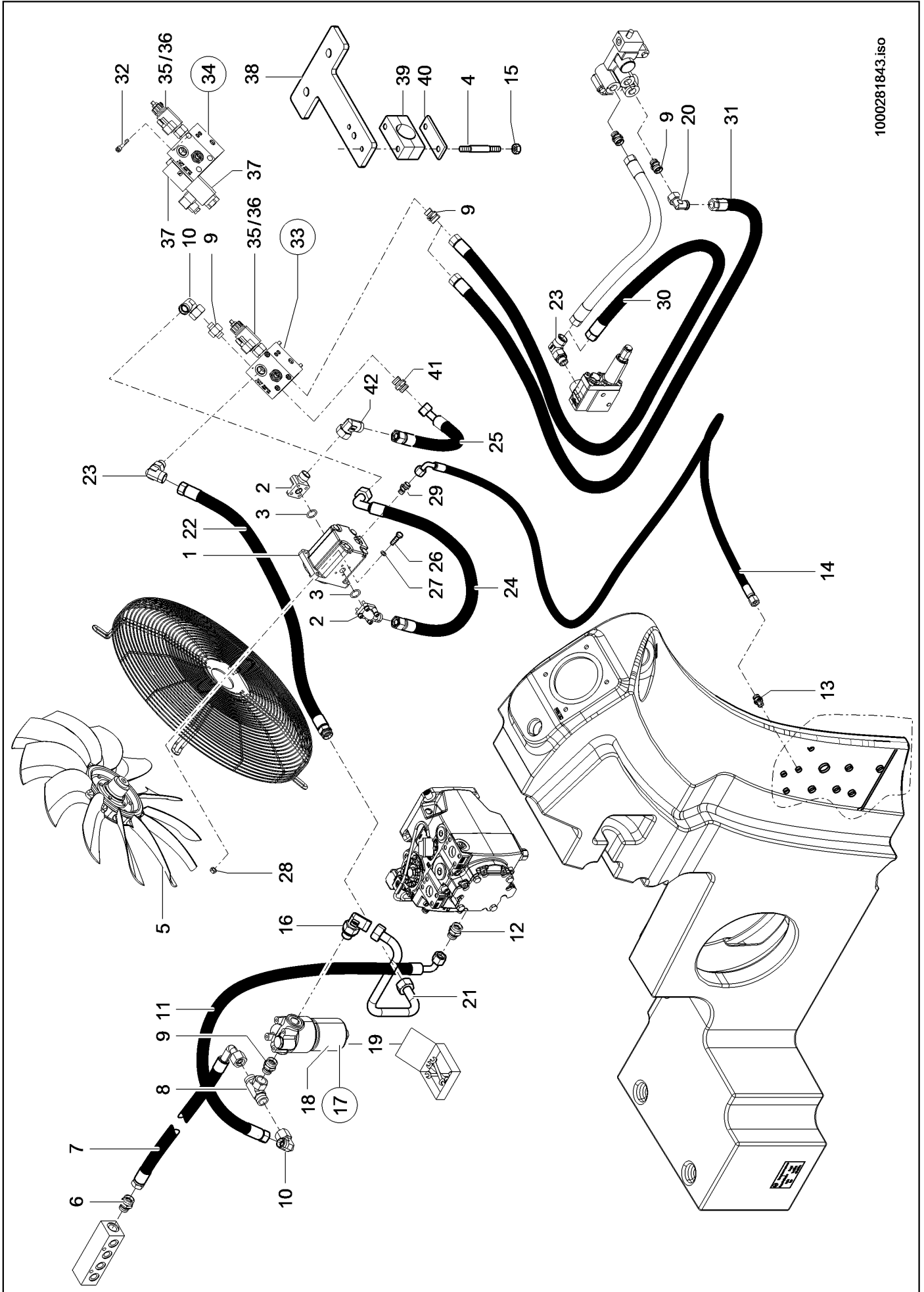
100 FUEL TANK

| Pos. | Part No. | Description | Dimension | Quantity | Conditions |
|-------------|----------------------|--------------------|------------------|-----------------|-------------------|
| 52 | 00 0311 341 0 | PLUG | 2-POLIG | 1 | |
| 53 | 00 1300 122 0 | BUSHING CONTACT | 1,0 - 2,0 | 1 | |
| 54 | 00 0311 306 0 | RETENTION | 2-POLIG | 1 | |
| 55 | 00 1305 400 0 | HOSE PIPE | | 1 | |



140 ENGINE COOLER

| Pos. | Part No. | Description | Dimension | Quantity | Conditions |
|------|----------------------|-------------------|--------------------------------|----------|------------|
| 1 | 00 1304 392 1 | RADIATOR | | 1 | |
| 2 | 00 0212 933 0 | SCREW-IN FITTING | SDS-L12XM12X1, 5-TYPE B | 1 | |
| 3 | 00 0142 279 0 | TUBE NIPPLE | DN10 - N90 L12 (M18X1,5) | 1 | |
| 4 | 00 1302 315 0 | CLAMP | COBRA 16/8 | 2 | |
| 5 | 00 1305 496 0 | FUEL HOSE | 10X3X2,50 M | 1 | |
| 6 | 00 0238 316 0 | LOCK NUT | M10 | 6 | |
| 7 | 00 0237 592 0 | WASHER | D10,5X30X2,5 | 6 | |
| 8 | 00 1304 412 0 | BEARING | D 50X30 M 10X25 | 3 | |
| 9 | 00 1303 169 0 | SUPPORT | | 1 | |
| 10 | 00 0237 570 0 | HEXAGON HEAD BOLT | M10X16 | 2 | |
| 11 | 00 0237 592 0 | WASHER | D10,5X30X2,5 | 2 | |
| 12 | 00 0223 020 0 | HOSE CLAMP | B1 X 28 X 15 | 2 | |
| 13 | 00 1304 417 0 | PRESHAPED TUBE | | 1 | |
| 14 | 00 0217 447 0 | HOSE CLAMP | B1-58X15 | 4 | |
| 15 | 00 1304 393 0 | PRESHAPED TUBE | | 1 | |
| 16 | 00 1304 419 0 | PRESHAPED TUBE | | 1 | |
| 17 | 00 1304 718 0 | ANGLE | | 1 | |
| 18 | 00 1305 220 0 | CONNECTION | DSWS4 26,3X20,3X18,01 | | |
| 19 | 00 0364 814 0 | CLAMP | D-25X20-10,5 ERS.D.03648 | 1 | |
| 20 | 00 0812 991 0 | HOLDER CLAMP | D1-15X20 | 1 | |
| 21 | 00 0237 439 0 | HEXAGON HEAD BOLT | M8X16 | 9 | |
| 22 | 00 0215 682 0 | WASHER | 8,4 | 3 | |
| 23 | 00 0238 132 0 | LOCK NUT | M8 | 12 | |
| 24 | 00 0215 682 0 | WASHER | 8,4 | 28 | |
| 25 | 00 1304 699 0 | PLATE | | 1 | |
| 26 | 00 1304 675 0 | GUIDE PLATE | KPLT. | 1 | |
| 27 | 00 1304 717 0 | GUIDE PLATE | | 1 | |
| 28 | 00 0237 442 0 | HEXAGON HEAD BOLT | M8X25 | 11 | |
| 29 | 00 1300 167 0 | PROFILE | 1STÜCK=2METER KLEMMBEREI | 4 | |
| 30 | 00 1300 171 0 | PROFILE | 1,0-3, 5KLEMMBR.ERS.D.130 | 0 | |
| 31 | 00 1304 827 0 | GASKET | | 1 | |
| 32 | 00 1304 828 0 | GASKET | | 1 | |
| 33 | 00 1304 713 0 | GUARD SCREEN | | 1 | |
| 34 | 00 0215 437 0 | STUD BOLT | M 8X 25 | 4 | |
| 35 | 00 1302 871 0 | WASHER | N.Z. | 4 | |
| 36 | 00 0238 132 0 | LOCK NUT | M8 | 4 | |
| 37 | 00 1305 685 0 | SUPPORT | | 1 | |
| 38 | 00 1301 442 0 | CLAMP | D 60 ERS.D.0217309.0 | 1 | |
| 39 | 00 1300 175 0 | TEMPERAT.FEELER | 40 - 120°C - M14X1,5 | 1 | |
| 40 | 00 1307 054 0 | LOCKING COVER | F. ÖL-WASSER-KÜHLER 1304 | 1 | |
| 41 | 00 0223 259 0 | OIL INDICATEUR | M20X1,5 | 1 | |
| 42 | 00 1306 955 0 | SENSOR | | 1 | |
| 43 | 00 0597 302 0 | SEALING RING | A14X20X1,5 | 1 | |
| 44 | 00 0656 014 1 | SCREW PLUG | M14X1,5 | 1 | |



1000281843.iso

Thank you so much for reading.
Please click the “Buy Now!”
button below to download the
complete manual.



After you pay.

You can download the most
perfect and complete manual in
the world immediately.

Our support email:

ebooklibonline@outlook.com