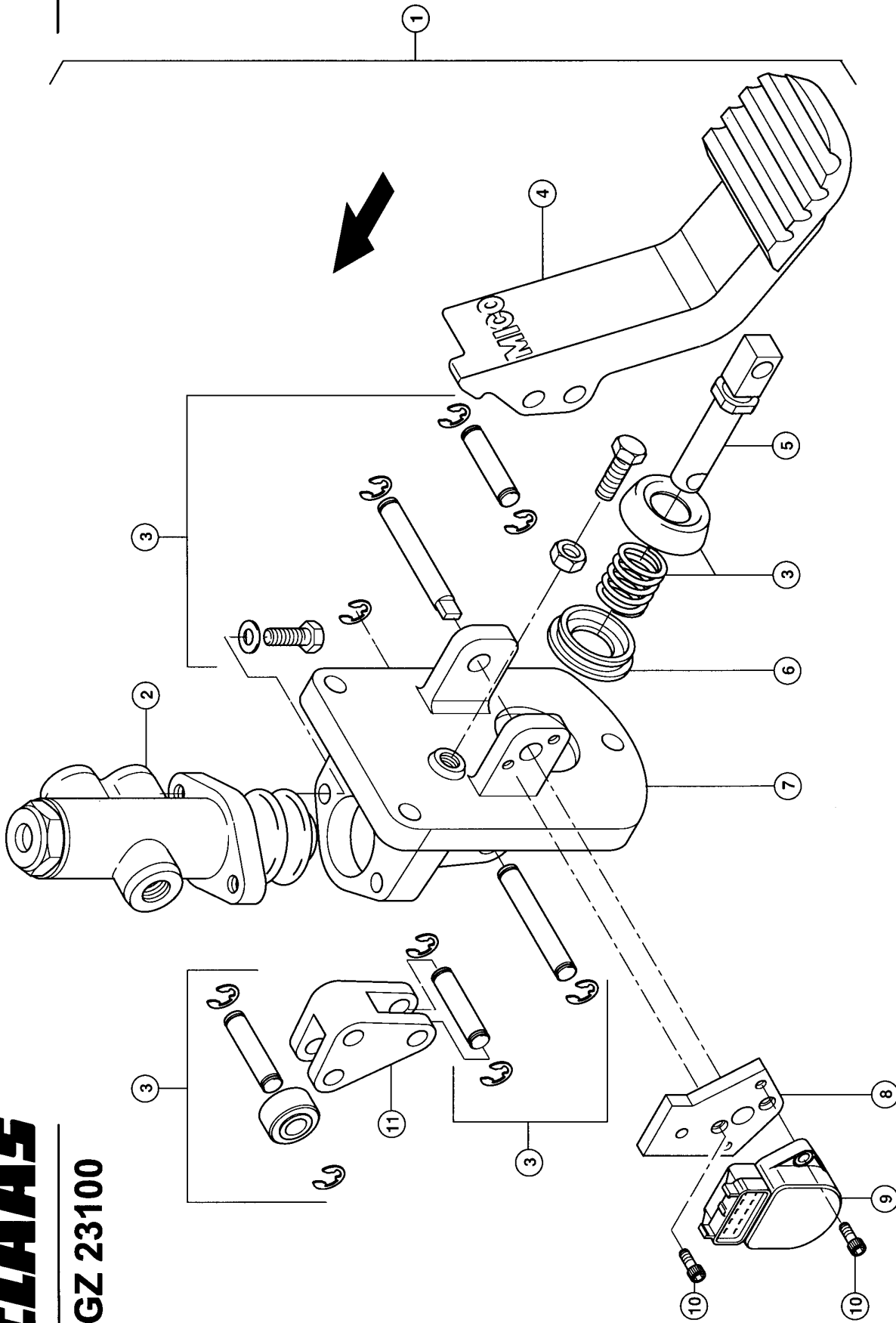


100

01668z00 TARGO C-SERIE EG3010



CLAAS

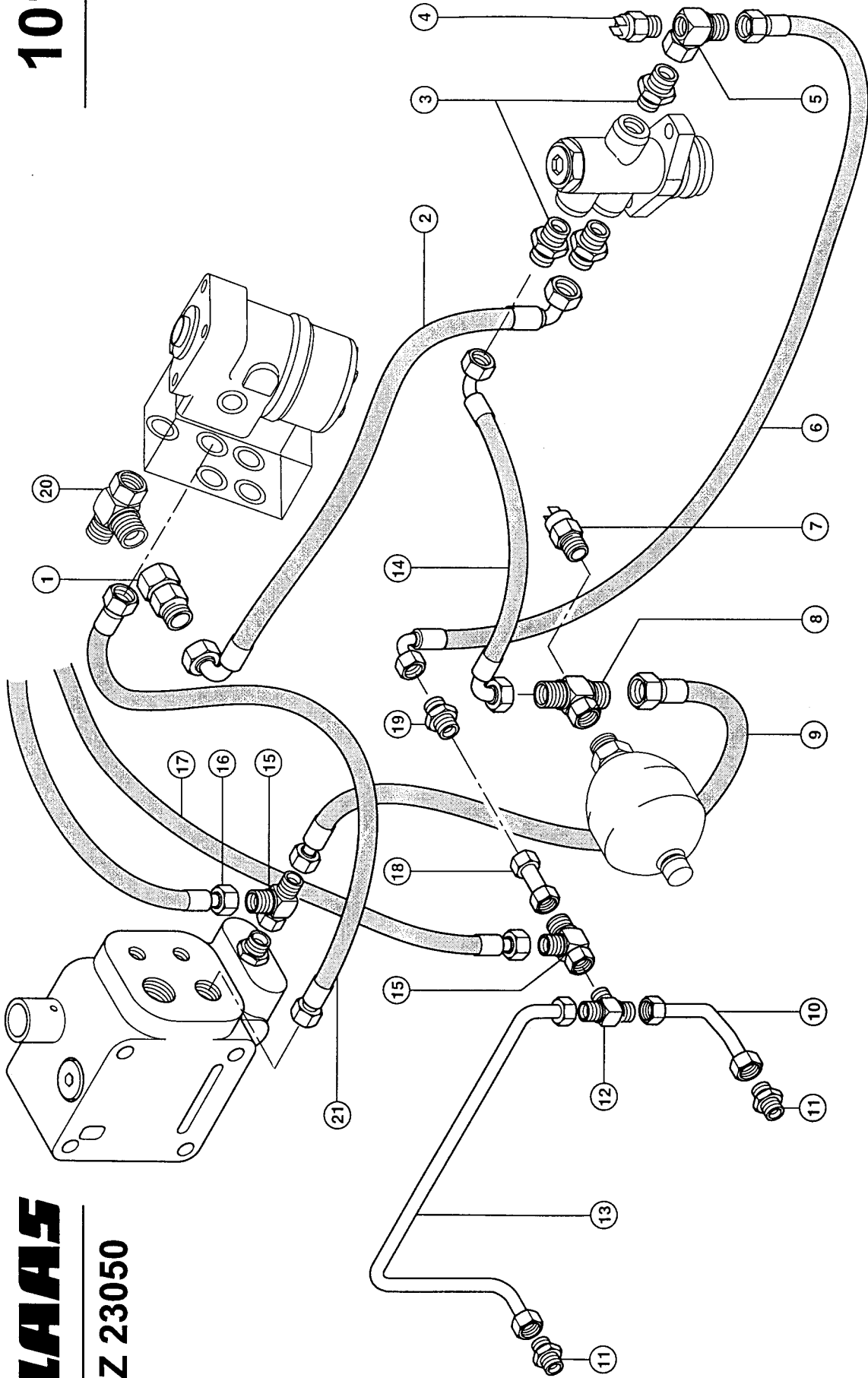
BGZ 23100

126183

BRAKE PEDAL CPL., SINGLE CIRCUIT

Pos.	Part No.	Description	Dimension	Quantity	Conditions
1	00 0318 230 0	BRAKE PEDAL		1	
2	00 0316 892 0	BRAKE VALVE		1	
2	00 0316 893 0	REPAIR KIT		1	
3	00 0325 436 0	REPAIR KIT		1	
4	00 0319 935 0	PEDAL		1	
5	00 0325 444 0	PLUNGER		1	
6	00 0325 441 0	SLEEVE		1	
7	00 0319 932 0	RECEPTION		1	
8	00 0319 934 0	SPACER		1	
9	00 0319 930 0	SENSOR		1	
10	00 0237 876 0	SOCKET HEAD SCREW	M5X12	4	
11	00 0325 437 0	SUPPORT		1	

101



01669z02 TARGO C-SERIE

126184/02

CLAAS

BGZ 23050

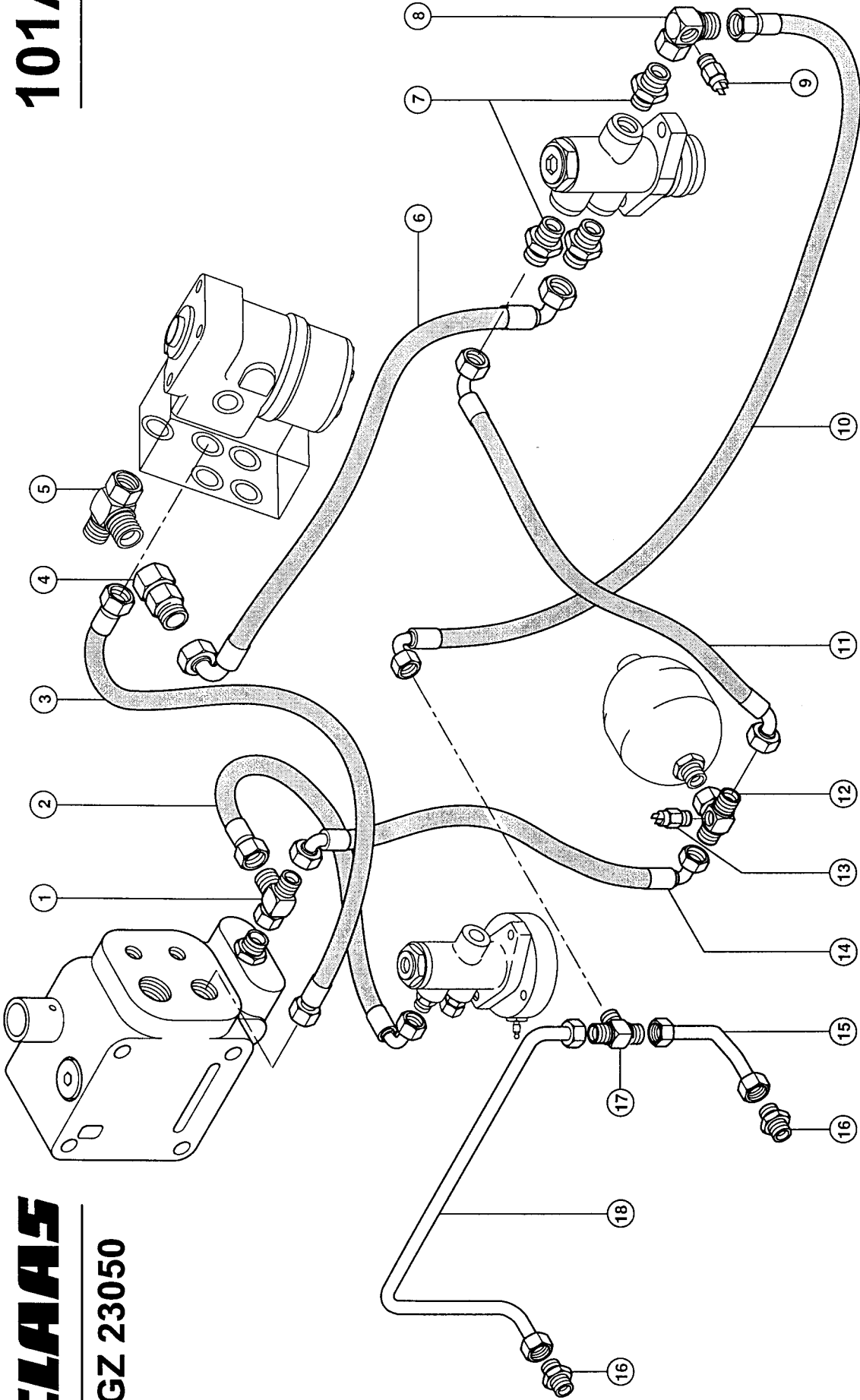
BRAKE PIPES AND HOSES 1)

Pos.	Part No.	Description	Dimension	Quantity	Conditions
1	00 0238 719 0	REDUCING ADAPTER	RES-L15/10-OMS ERS.D.024	1	
2	00 0310 016 1	HYDR. HOSE	1SN6	1	
3	00 0215 639 0	SCREW-IN FITTING	SDS-L10X9/16-18UNF -2A-TY	3	
4	00 0315 492 0	PRESSURE SWITCH	5 BAR	1	
5	00 0318 766 0	ELBOW UNION	SWOE-L10 MOD. 1/8NPTF	1	
6	00 0318 317 1	HYDR. HOSE	2SC 8 N90N 1040	1	
7	00 0315 493 0	LOW PRESS.SWITCH	116 BAR	1	
8	00 0317 679 0	T-PIECE	SWOBT-L10 MOD. 1/8NPTF	1	
9	00 0318 308 1	HYDR. HOSE	1SN6	1	
10	00 0318 326 0	PIPE	10X1X176-2	1	
11	00 0317 721 0	SCREW-IN FITTING	L10F-M10X1	2	
12	00 0238 795 0	TEE	T-L10	1	
13	00 0318 325 0	PIPE	10X1X551-3	1	
14	00 0318 318 1	HYDR. HOSE	1SN6	1	
15	00 0249 866 0	L-UNION	W.ERS.D.2388900	2	2)
16	00 0318 632 1	HYDR. HOSE	2SC 6 N45(L10)N(L10) 295	1	2)
17	00 0318 631 1	HYDR. HOSE	2SC 6 N45(L10)N(L10) 340	1	
18	00 0216 093 0	UNION	SWOS-L10	1	
19	00 0238 707 0	CONNECTOR	S-L10	1	
20	00 0249 868 0	T-UNION, ADJUSTM.	SWORT-L15	1	
21	00 0318 306 1	HYDR. HOSE	2SC 12 NN 660	1	
1)	Remarks	Up To Serial No. 50600162			
2)	Remarks	for trailer brake			

101A

CLAAS

BGZ 23050



01729z01

TARGO C-SERIE

EG3052-2

129685/01

BRAKE PIPES AND HOSES 1)

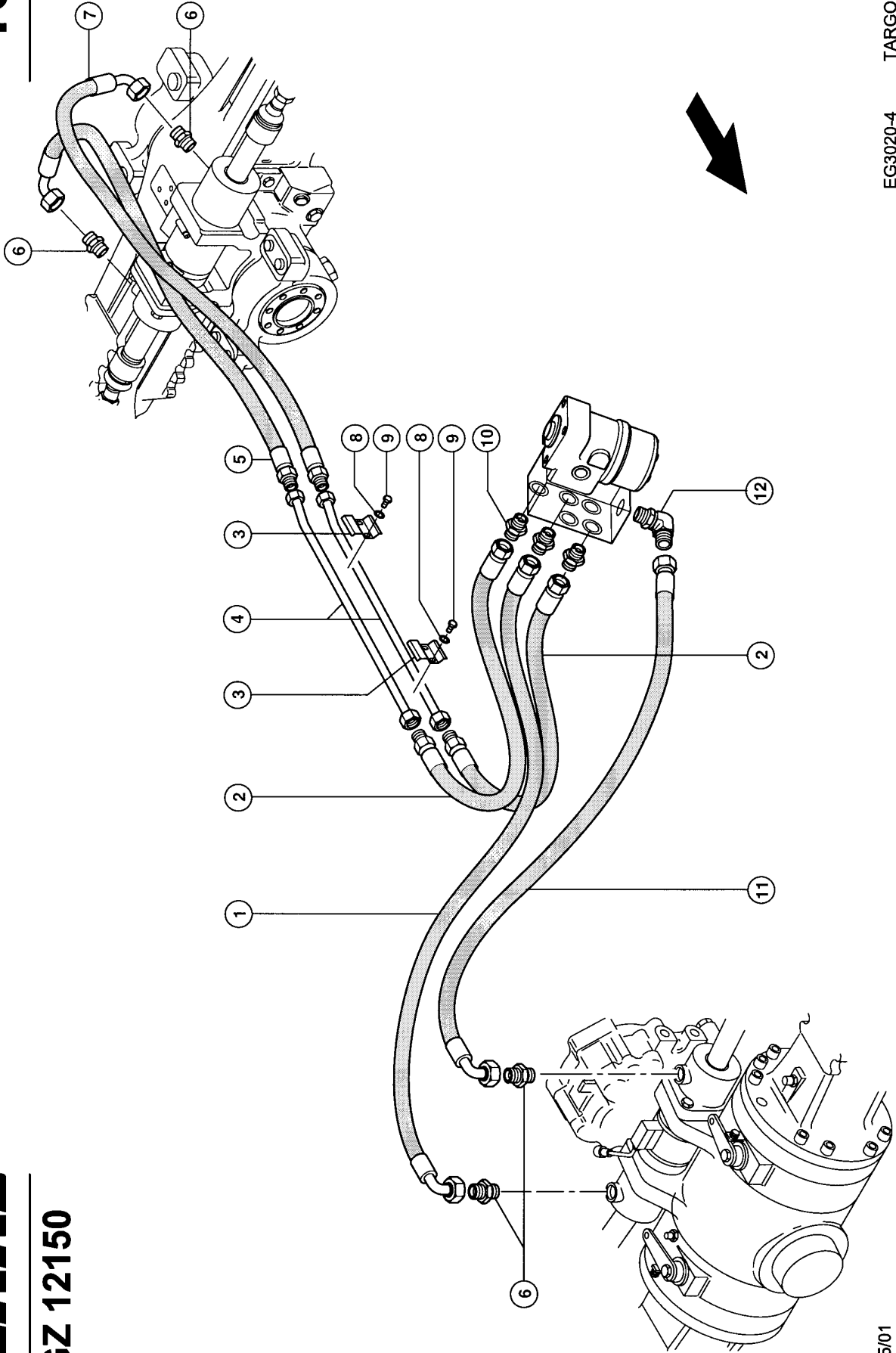
Pos.	Part No.	Description	Dimension	Quantity	Conditions
1	00 0249 866 0	L-UNION	W.ERS.D.2388900	1	2)
2	00 0325 880 1	HYDR. HOSE		1	
3	00 0349 363 1	HOSE PIPE	2SC 12 N45N 635	1	3)
3	00 0349 372 1	HYDR. HOSE	??? 12 N45N 710	1	4)
4	00 0238 719 0	REDUCING ADAPTER	RES-L15/10-OMS ERS.D.024	1	
5	00 0249 868 0	T-UNION, ADJUSTM.	SWORT-L15	1	
6	00 0310 016 1	HYDR. HOSE	1SN6	1	
7	00 0215 639 0	SCREW-IN FITTING	SDS-L10X9/16-18UNF -2A-TY	3	
8	00 0318 766 0	ELBOW UNION	SWOE-L10 MOD. 1/8NPTF	1	
9	00 0315 492 1	PRESSURE SWITCH	L=46/ SW 24	1	
10	00 0318 317 1	HYDR. HOSE	2SC 8 N90N 1040	1	3)
10	00 0349 369 1	HYDR. HOSE		1	4)
11	00 0349 484 0	HYDR. HOSE		1	
12	00 0317 678 0	T-PIECE	SWOBT-L10 MOD. 1/8NPTF	1	
13	00 0315 493 1	LOW PRESS.SWITCH		1	
14	00 0349 294 2	HYDR. HOSE	1SN6	1	
15	00 0318 326 0	PIPE	10X1X176-2	1	
16	00 0317 721 0	SCREW-IN FITTING	L10F-M10X1	2	
17	00 0238 795 0	TEE	T-L10	1	
18	00 0318 325 0	PIPE	10X1X551-3	1	

1)	Remarks	From Serial No. 50600163
2)	Remarks	for trailer brake
3)	Remarks	with Targo C 40
4)	Remarks	with Targo C 50

102

CLAAS

BGZ 12150



01670z01 TARGO C-SERIE
EG3020-4

126185/01

STEERING HYDRAULICS 1)

Pos.	Part No.	Description	Dimension	Quantity	Conditions
1	00 0318 305 1	HYDR. HOSE	1SN12	1	
2	00 0318 307 1	HYDR. HOSE	1SN10	2	
3	00 0310 325 0	PIPE CLAMP		2	
4	00 0318 623 0	PIPE	12X1,5X957-1	2	
5	00 0318 302 1	HYDR. HOSE	1SN10	1	
6	00 0216 170 0	SCREW-IN FITTING	SDS-L12XM18X1, 5-TYPE F	4	
7	00 0318 301 1	HYDR. HOSE	1SN10	1	
8	00 0239 386 0	CONTACT WASHER	A 6	2	
9	00 0237 877 0	HEXAGON HEAD BOLT	M6X10	2	
10	00 0316 193 0	SCREW-IN FITTING	SDS-L12X3/4-16UNF- 2A-TYP	3	
11	00 0325 786 1	HOSE		1	
12	00 0325 788 0	UNION	ERS.D.323 026.0/SDE-12X3	1	

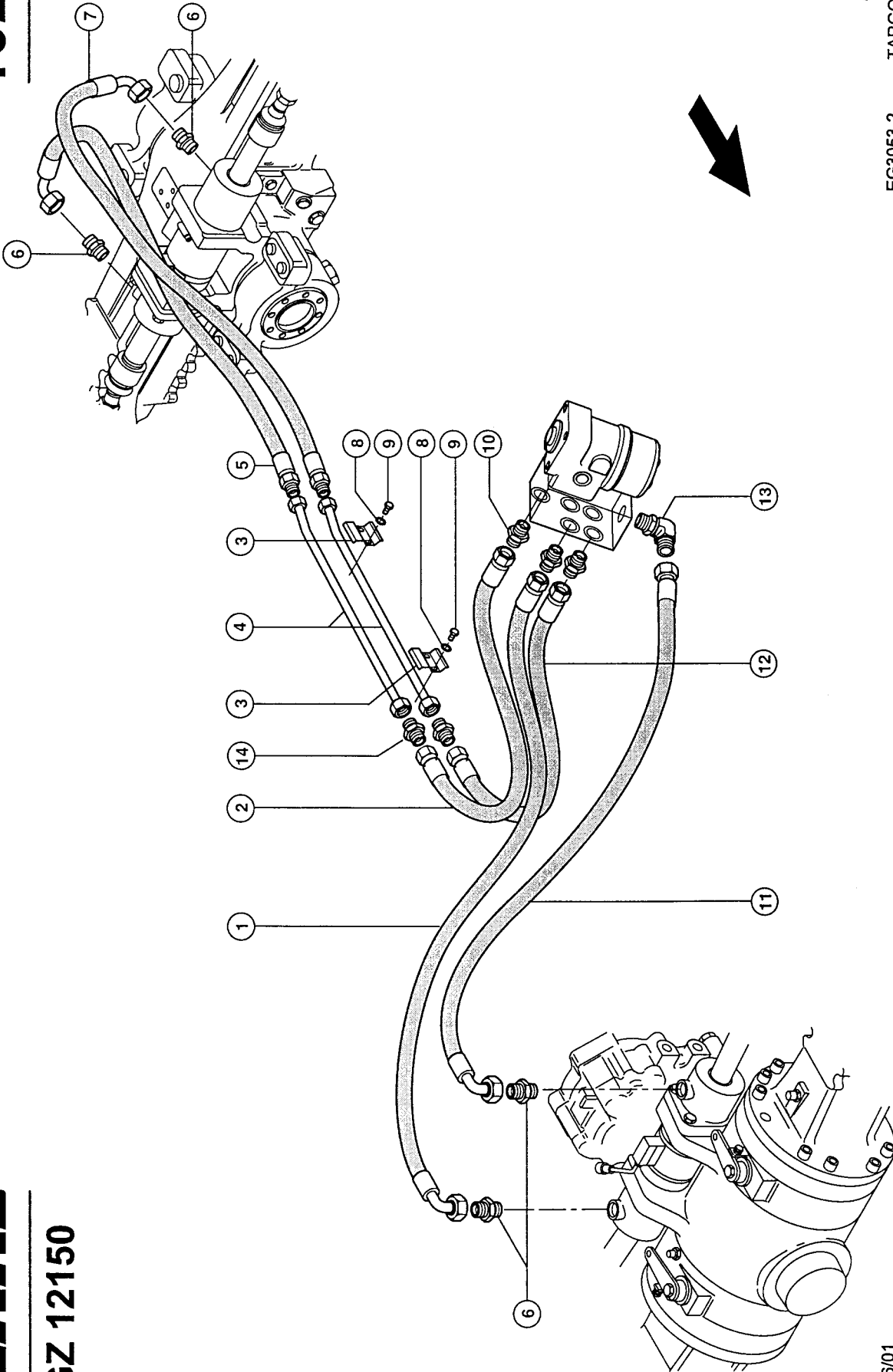
1) Remarks

Up To Serial No. 50600162

102A

CLAAS

BGZ 12150



01730z01

EG3053-2 TARGO C-SERIE

129686/01

STEERING HYDRAULICS 1)

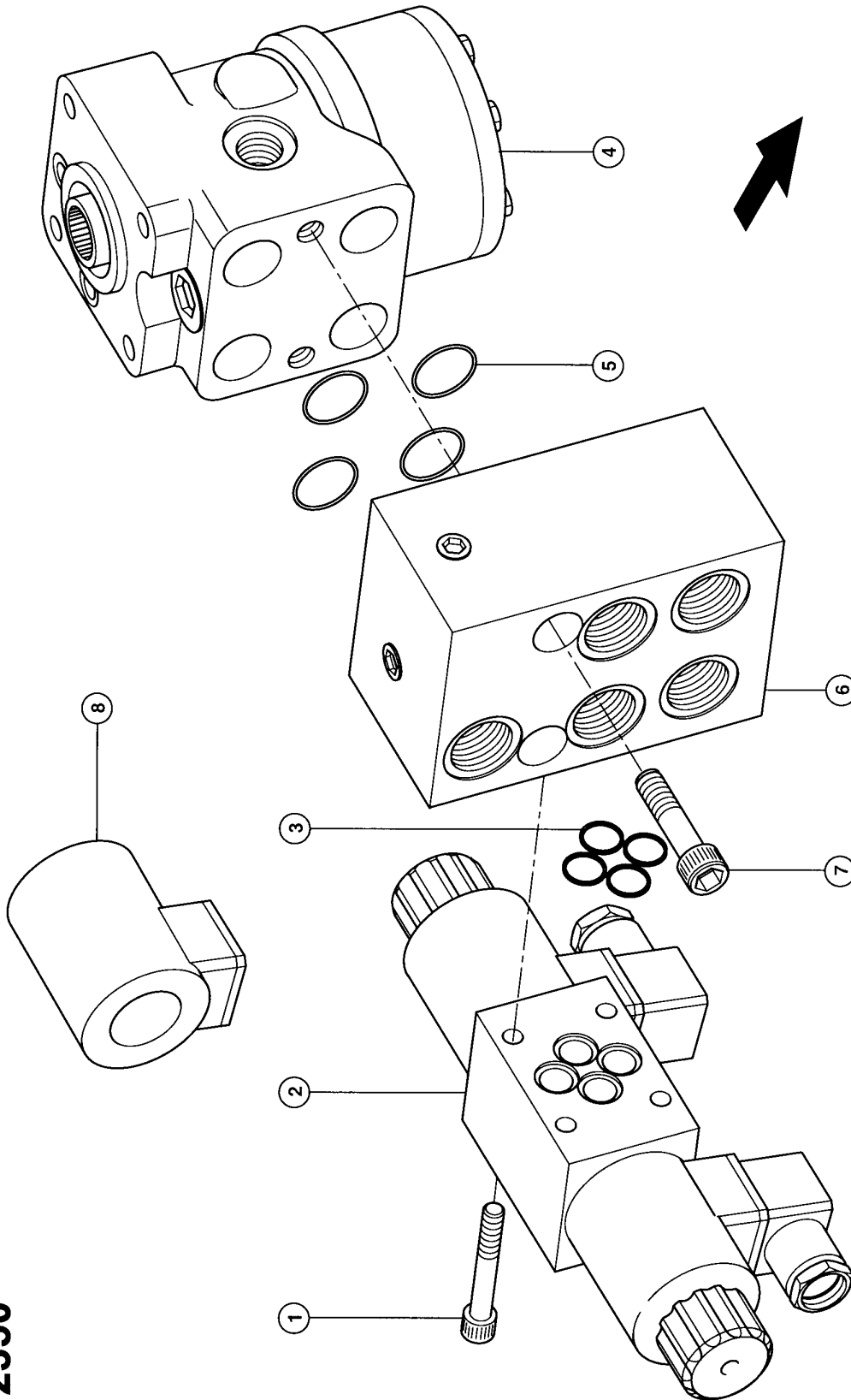
Pos.	Part No.	Description	Dimension	Quantity	Conditions
1	00 0349 366 1	HOSE PIPE		1	2)
1	00 0349 374 1	HYDR. HOSE		1	3)
2	00 0349 364 1	HYDR. HOSE	1SN10	2	4)
2	00 0349 371 1	HYDR. HOSE	2SN 10 N45N45 490 V90	2	2)
3	00 0315 509 0	PIPE CLAMP		2	
4	00 0318 623 0	PIPE	12X1,5X957-1	2	
5	00 0318 302 1	HYDR. HOSE	1SN10	1	
6	00 0216 170 0	SCREW-IN FITTING	SDS-L12XM18X1, 5-TYPE F	4	
7	00 0318 301 1	HYDR. HOSE	1SN10	1	
8	00 0239 386 0	CONTACT WASHER	A 6	2	
9	00 0237 877 0	HEXAGON HEAD BOLT	M6X10	2	
10	00 0316 193 0	SCREW-IN FITTING	SDS-L12X3/4-16UNF- 2A-TYP	3	
11	00 0325 786 1	HOSE		1	
12	00 0349 365 2	HYDR. HOSE		1	4)
12	00 0349 370 1	HYDR. HOSE	2SN 10 N45N45V90° 530	1	2)
13	00 0325 788 0	UNION	ERS.D.323	1	
14	00 0215 763 0	CONNECTOR	026.0/SDE-12X3 S-L12	2	

1) Remarks	From Serial No. 50600163
2) Remarks	with Targo C 50
3) Remarks	BEI TARGO C 50
4) Remarks	with Targo C 40

103

CLAAS

BGZ 12350



01671201
TARGO C-SERIE

EG3000-1

126186/01

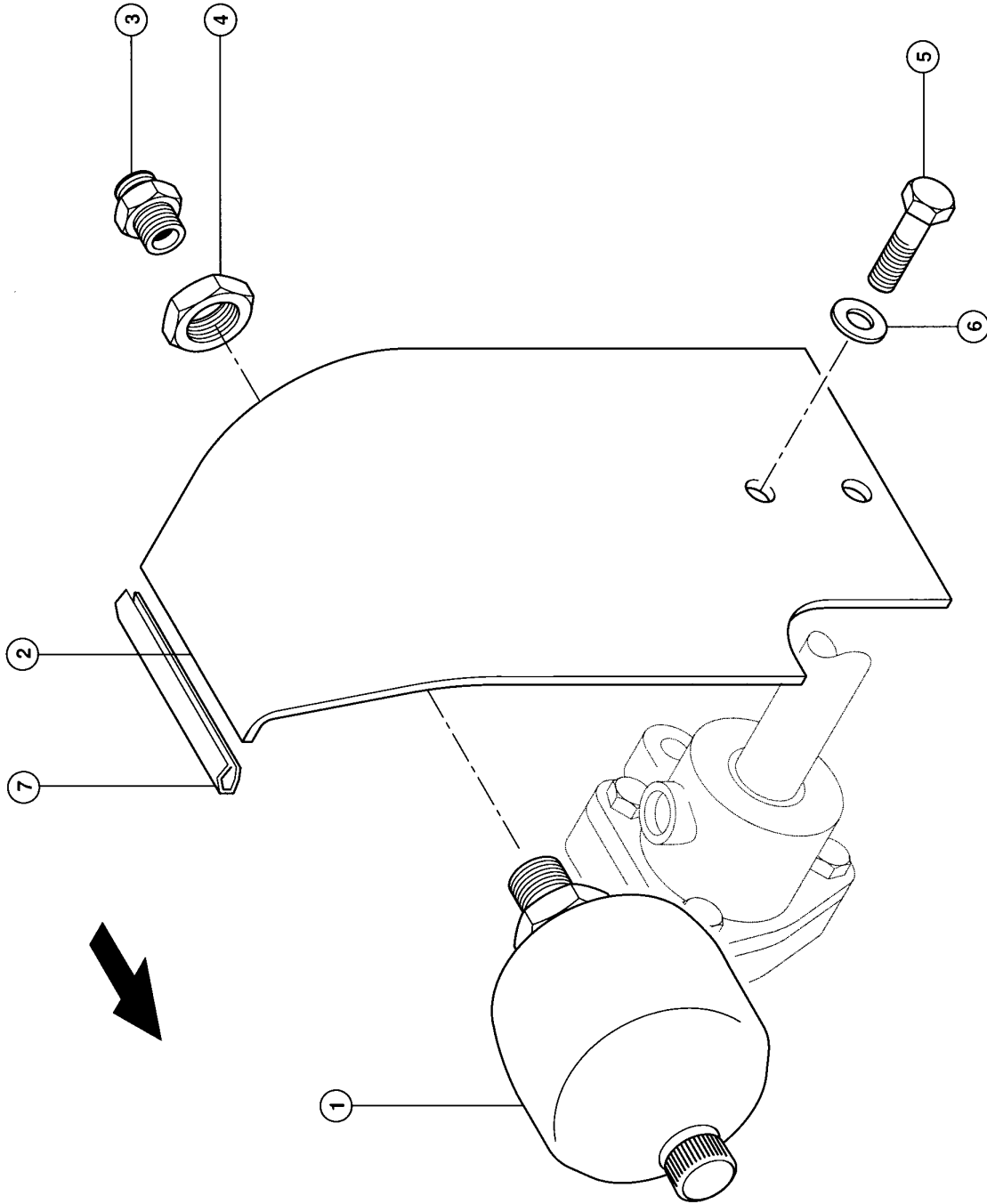
STEERING HYDRAULICS

Pos.	Part No.	Description	Dimension	Quantity	Conditions
1	00 0242 208 0	SOCKET HEAD SCREW	M 5X 45 ERS.D. 242208.1	4	
2	00 0319 945 0	SOLENOID	DCV 03	1	
3	00 0319 949 0	SEAL KIT	4ST 9,25X1,68-N - FUER D	1	
4	00 0319 947 0	STEERING VALVE	OSPF 200 LS	1	
5	00 0079 899 0	O-RING	23,47X2,62-N	4	
6	00 0319 944 0	MANIFOLD		1	
7	00 0319 958 0	SCREW		2	
8	00 0349 665 0	ELECTRONIC MAGNET		2	

104

CLAAS

BGZ 23050



01626z01 TARGO C-SERIE
MZ80072-2

126278/01

BRAKE ACCUMULATOR 1)

Pos.	Part No.	Description	Dimension	Quantity	Conditions
1	00 0323 884 0	ACCUMULATOR	0,75L 210BAR	1	
2	00 0318 688 2	BRACKET		1	
3	00 0216 010 0	SCREW-IN FITTING	SDS-L10XG1/2A-TYPE E	1	
4	00 0217 047 0	HEXAGONAL NUT	M33X1,5/10 HOCH/SW50	1	
5	00 0235 593 0	HEXAGON HEAD BOLT	M16X90	2	
6	00 0239 391 0	CONTACT WASHER	A16	2	
7	00 0324 029 0	SEALING TAPE	1 - 3 MM	1	

1) Remarks

Up To Serial No. 50600162

Thank you so much for reading.
Please click the “Buy Now!”
button below to download the
complete manual.



After you pay.

You can download the most
perfect and complete manual in
the world immediately.

Our support email:

ebooklibonline@outlook.com