

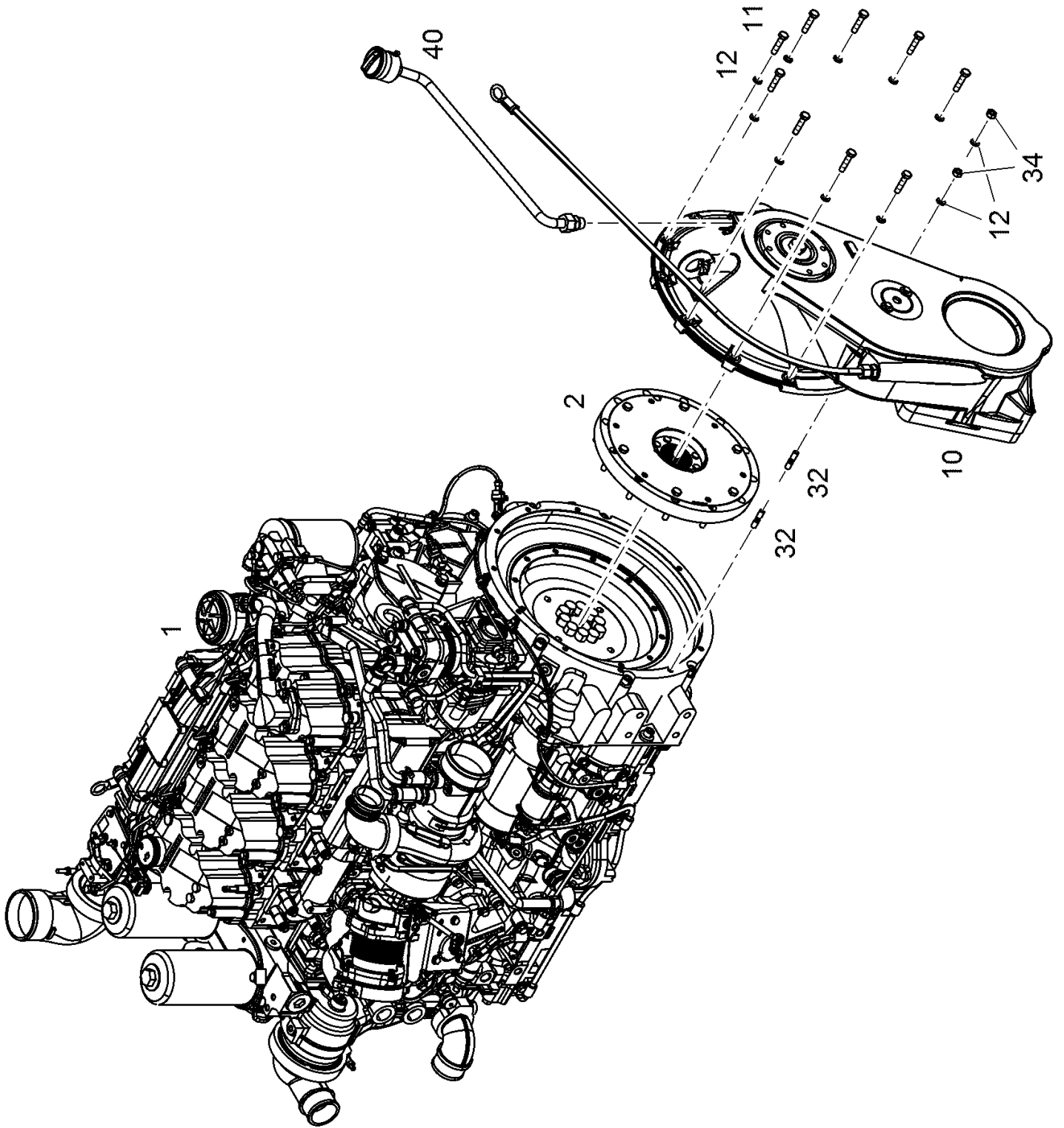
-2017 00 0601

2017 00 0602-

**010 COMPLETE ENGINE 1)**

Pos.	Part No.	Description	Dimension	Quantity	Conditions
1	<b>00 1955 024 0</b>	TORSION DAMPER		1	
1	<b>00 1955 024 0</b>	TORSION DAMPER		1	
2	<b>00 1955 691 0</b>	RING	COUPLING ASSY D.ENG.	1	
3	<b>00 0469 980 0</b>	ZYLINDERSCHR NID M IN-6KT	M10X30	12	
4	<b>00 0224 198 0</b>	HEX.HEAD BOLT	M10X30-B=15	6	
131	<b>ERS05</b>	NO LONGER AVAILABLE		1	
	<b>00 0215 098 0</b>	SOCKET HEAD SCREW	M10X 40	6	

<b>1)</b>	<b>machine no.</b>	+ 0
		+ K5800051
		+ K5800052
		+ K5800053
		+ K5800054
		+ K5800055
		+ K5800056
		+ K5800057
		+ K5800058
		+ K5800059

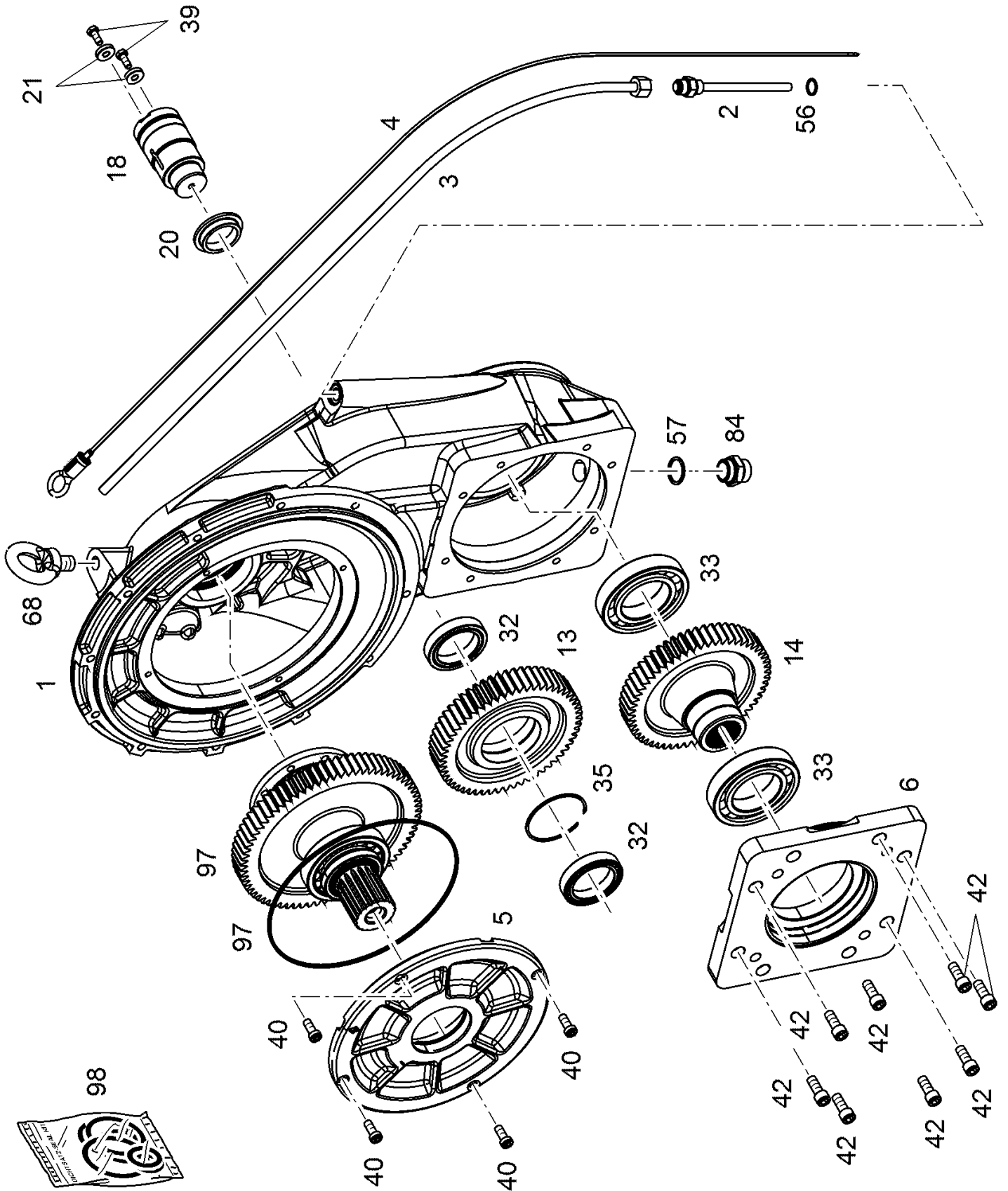


**010 COMPLETE ENGINE 1)**

Pos.	Part No.	Description	Dimension	Quantity	Conditions
1	<b>00 1950 737 0</b>	DIESEL ENGINE	D934 A7-04 TIER 4F 143 K	1	
2		KUPPLUNGSANBAU		1	2)
10	<b>00 1952 152 1</b>	DISTRIBUTING GEAR	I=1,000/0,708 742, 7/451N	1	
11	<b>00 1135 539 0</b>	SCREW	M10X45	9	
12	<b>00 0249 328 0</b>	LOCK WASHER	VS 10 -10,5X16X1,4X2	11	
32	<b>00 1991 831 0</b>	STUD BOLT	M10X25	2	

<b>1)</b>	<b>machine no.</b>	+ 0
		+ K5800051
		+ K5800052
		+ K5800053
		+ K5800054
		+ K5800055
		+ K5800056
		+ K5800057
		+ K5800059
		+ K5800060

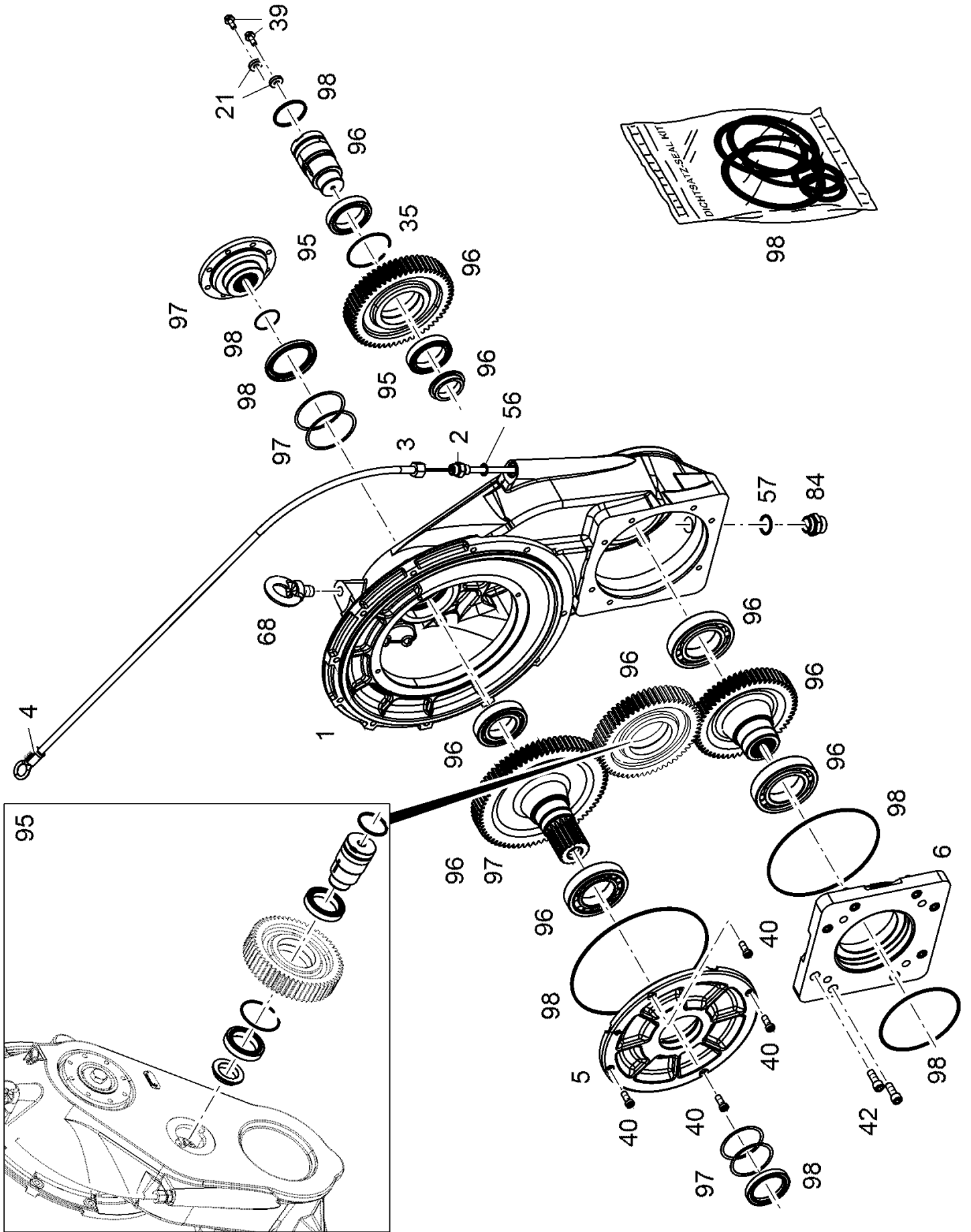
<b>2)</b>	<b>Remarks</b>	-> BGZ 01 02 010 -> Drawing no.: E01331
-----------	----------------	---



**010 COMPLETE ENGINE 1)**

Pos.	Part No.	Description	Dimension	Quantity	Conditions
1	<b>00 1954 993 0</b>	HOUSING		1	
2	<b>00 1953 826 0</b>	GUIDE TUBE		1	
3	<b>00 1955 028 0</b>	OELMESSSTABFUEHRUNG		1	
4	<b>00 1955 029 0</b>	OELMESSSTAB MIT RING		1	
5	<b>00 1955 030 0</b>	BEARING COVER		1	
6	<b>00 1955 031 0</b>	BEARING FLANGE		1	
18	<b>ERS08</b>	ORDER SINGLE PARTS		1	
20	<b>ERS11</b>	PART HAS NOT BEEN INSTALLED		1	
33	<b>00 0588 839 0</b>	GRVD.BALL BEARING	6214-C3 -70X125X24	2	
35	<b>00 0233 592 0</b>	SNAP RING	SB 85	1	
39	<b>00 0223 435 0</b>	6KT-SCHRAUBE M FL	M8X20	2	
40	<b>00 0224 059 0</b>	ZYLINDERSCHR NID M IN-6KT	M10X25	4	
42	<b>00 0218 780 0</b>	SOCKET HEAD SCREW	M12X30	8	
56	<b>00 0238 147 0</b>	SEALING RING	A18X22X1,5	1	
57	<b>01 2291 810 0</b>	SEALING RING	A30X36-CU	1	
68	<b>00 0242 964 0</b>	RING SCREW	M20	1	
97	<b>00 1954 522 0</b>	ANTRIEBSWELLENSATZ	PVG 351 B 368	1	
98	<b>00 1955 692 0</b>	SEAL KIT	PVG 351 B 368 PUMP TR. G	1	

<b>1)</b>	<b>machine no.</b>	+ 0
		+ K5800051
		+ K5800052
		+ K5800053
		+ K5800054
		+ K5800055
		+ K5800056
		+ K5800057
		+ K5800059
		+ K5800060

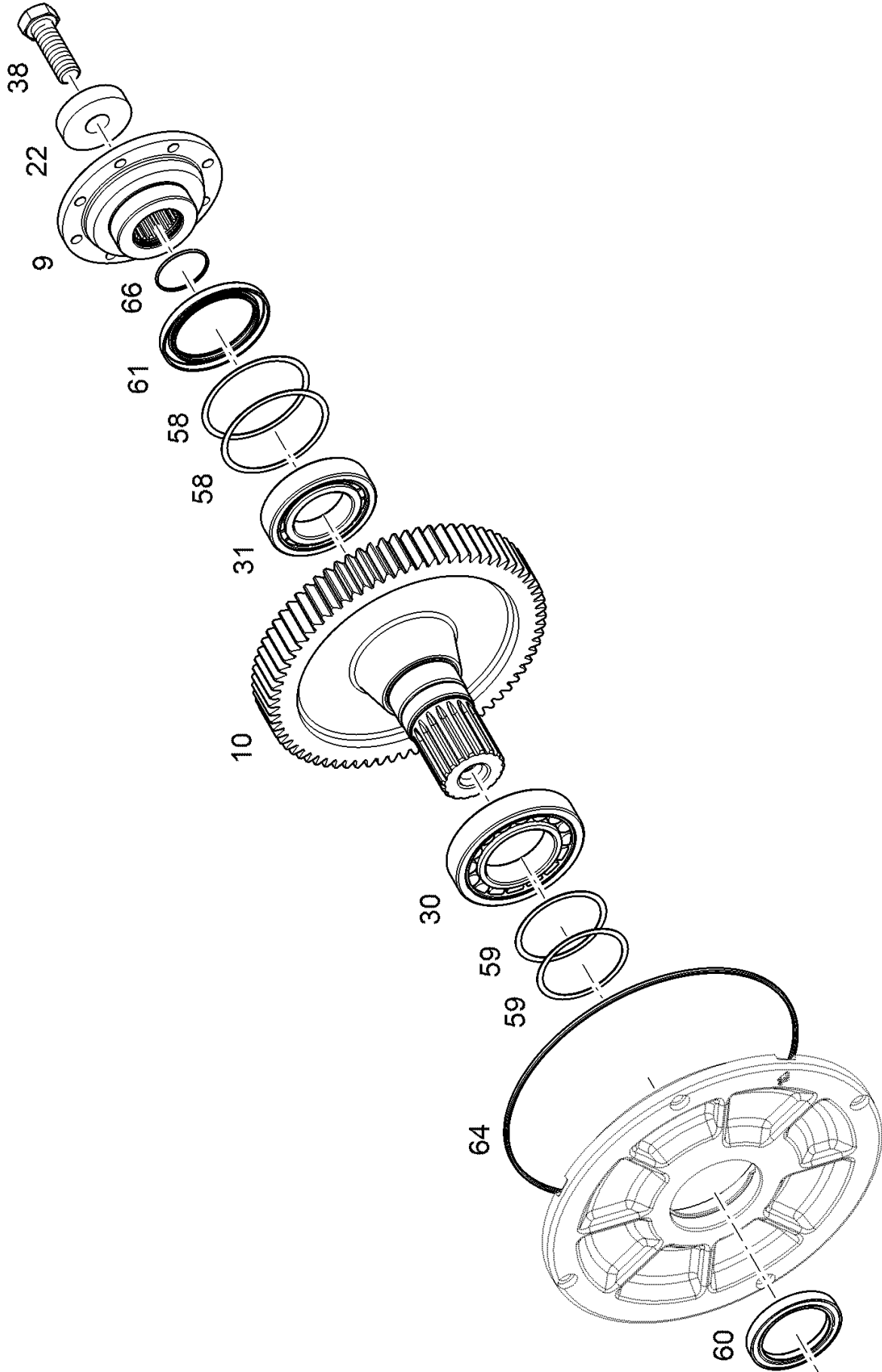


**010 COMPLETE ENGINE 1)**

Pos.	Part No.	Description	Dimension	Quantity	Conditions
1	<b>00 1954 993 0</b>	HOUSING		1	
2	<b>00 1953 826 0</b>	GUIDE TUBE		1	
3	<b>00 1955 028 0</b>	OELMESSSTABFUEHRUNG		1	
4	<b>00 1955 029 0</b>	OELMESSSTAB MIT RING		1	
5	<b>00 1955 030 0</b>	BEARING COVER		1	
6	<b>00 1955 031 0</b>	BEARING FLANGE		1	
35	<b>00 0233 592 0</b>	SNAP RING	SB 85	1	
39	<b>00 0223 435 0</b>	6KT-SCHRAUBE M FL	M8X20	2	
40	<b>00 0224 059 0</b>	ZYLINDERSCHR NID M IN-6KT	M10X25	4	
42	<b>00 0218 780 0</b>	SOCKET HEAD SCREW	M12X30	8	
56	<b>00 0238 147 0</b>	SEALING RING	A18X22X1,5	1	
57	<b>01 2291 810 0</b>	SEALING RING	A30X36-CU	1	
68	<b>00 0242 964 0</b>	RING SCREW	M20	1	
84	<b>00 1921 368 0</b>	DRAIN SCREW	M30X1,5 (BOCHUMER 1 STOPFE	1	
95	<b>ERS08</b>	ORDER SINGLE PARTS		1	
96	<b>ERS08</b>	ORDER SINGLE PARTS		1	
97	<b>00 1954 522 0</b>	ANTRIEBSWELLENSATZ	PVG 351 B 368	1	
98	<b>00 1955 692 0</b>	SEAL KIT	PVG 351 B 368 PUMP TR. G	1	

<b>1)</b>	<b>machine no.</b>	+ 0
		+ K5800051
		+ K5800052
		+ K5800053
		+ K5800054
		+ K5800055
		+ K5800056
		+ K5800057
		+ K5800059
		+ K5800060

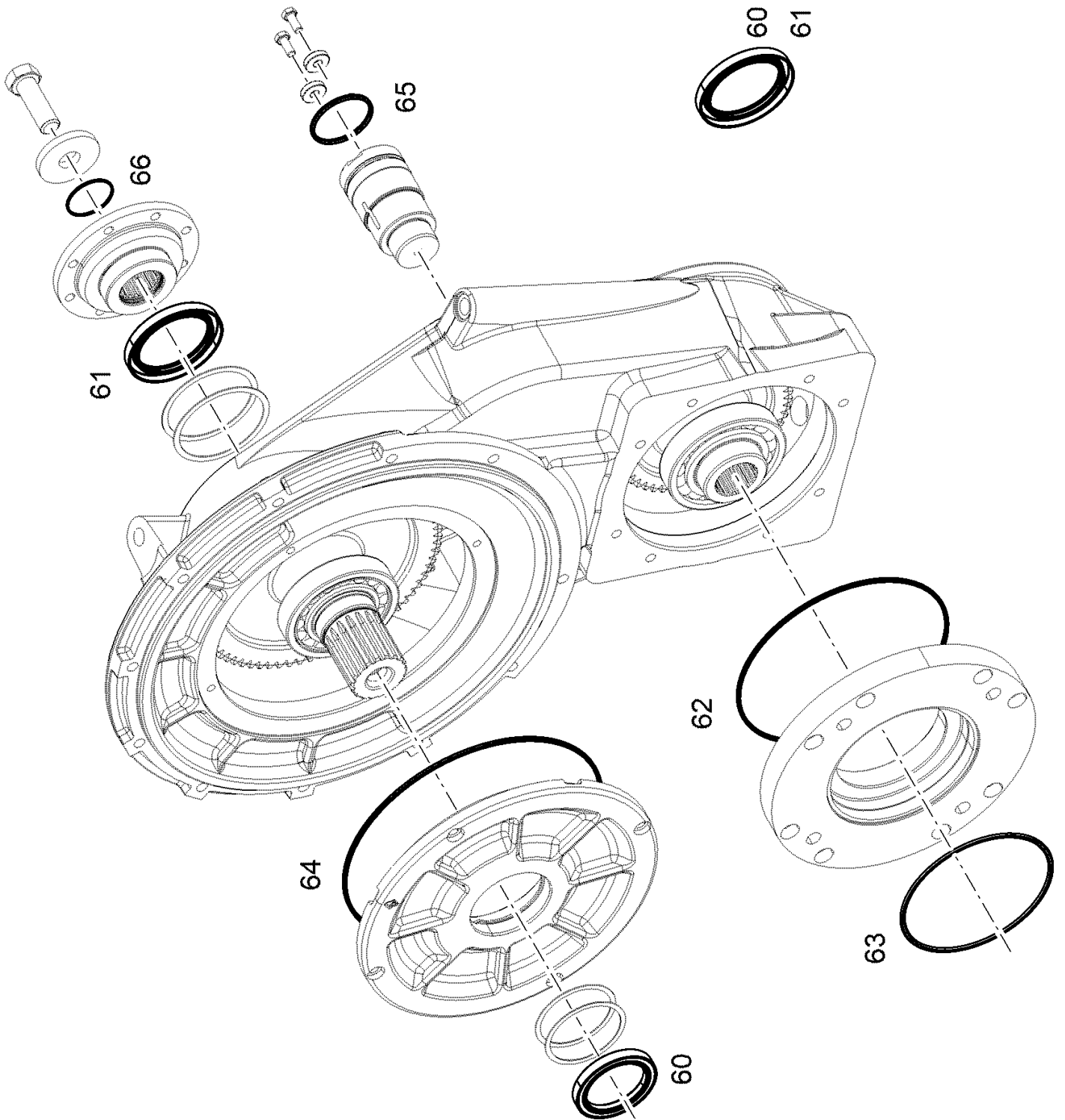




**010 COMPLETE ENGINE 1)**

Pos.	Part No.	Description	Dimension	Quantity	Conditions
9	<b>ERS05</b>	NO LONGER AVAILABLE		1	
10	<b>00 1954 517 0</b>	DRIVE SHAFT	PUMPENVERTEILERG ETRIEBE	1	
30	<b>00 0218 242 0</b>	BEARING	NJ 213E TN-C3	1	
31	<b>00 0218 142 0</b>	CYLINDRICAL ROLLER BEARING	NJ 211 E-C3	1	
38	<b>00 0233 483 0</b>	HEX.HEAD BOLT	-55X100X21 M20X60	1	
58	<b>00 0218 760 0</b>	SHIM	90X100X1	2	
59	<b>00 0233 205 0</b>	SHIM	75X85X1	2	
60	<b>00 1952 083 0</b>	ROTARY SHAFT SEAL	63X85X10	1	
61	<b>00 1952 070 0</b>	ROTARY SHAFT SEAL	75X100X8	1	
64	<b>60 0500 859 2</b>	O-RING	275-266,29X3,53-N	1	
66	<b>60 0502 627 7</b>	O-RING	47,35 X 1,78	1	

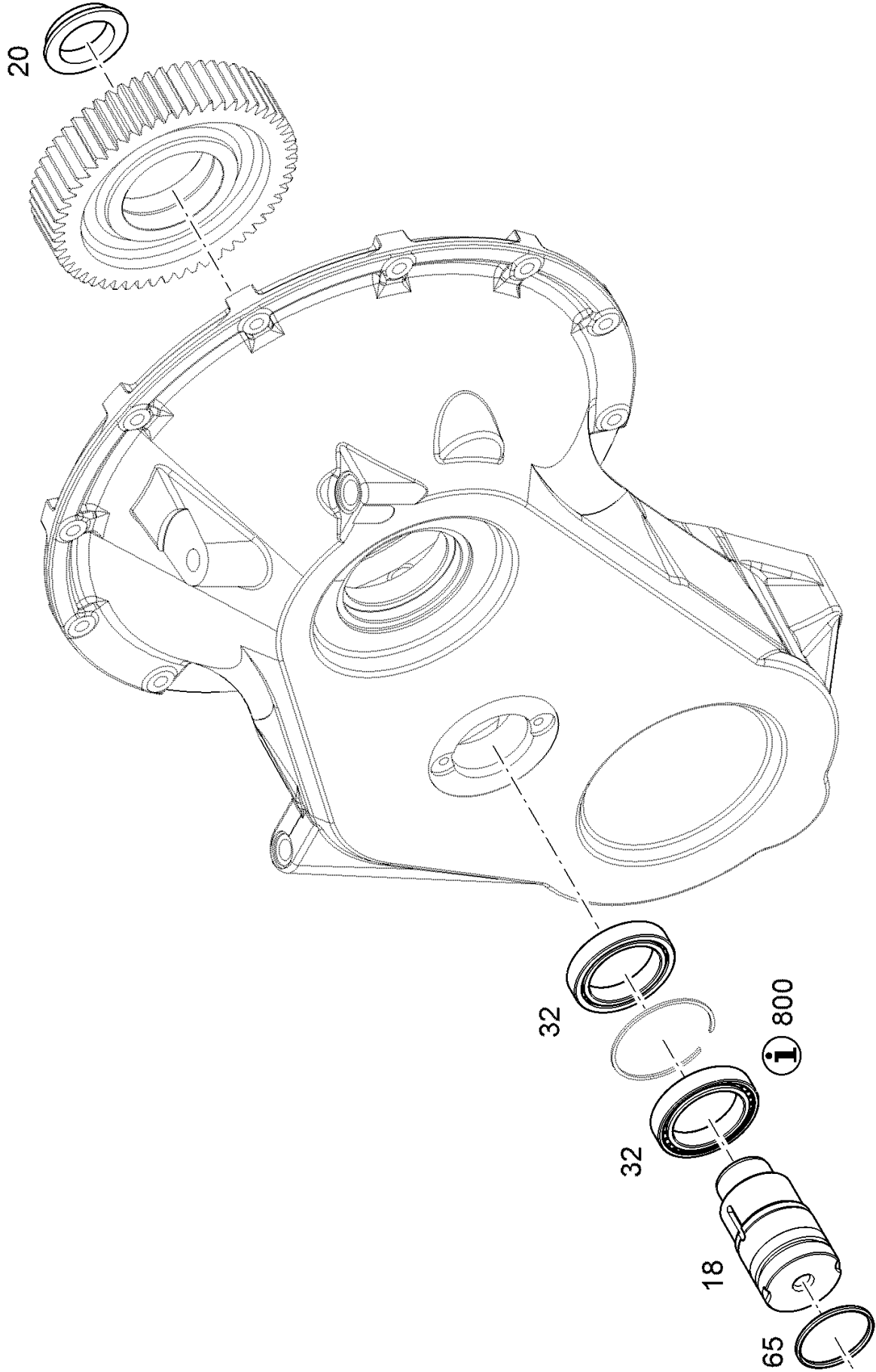
<b>1)</b>	<b>machine no.</b>	+ 0
		+ K5800051
		+ K5800052
		+ K5800053
		+ K5800054
		+ K5800055
		+ K5800056
		+ K5800057
		+ K5800059
		+ K5800060



**010 COMPLETE ENGINE 1)**

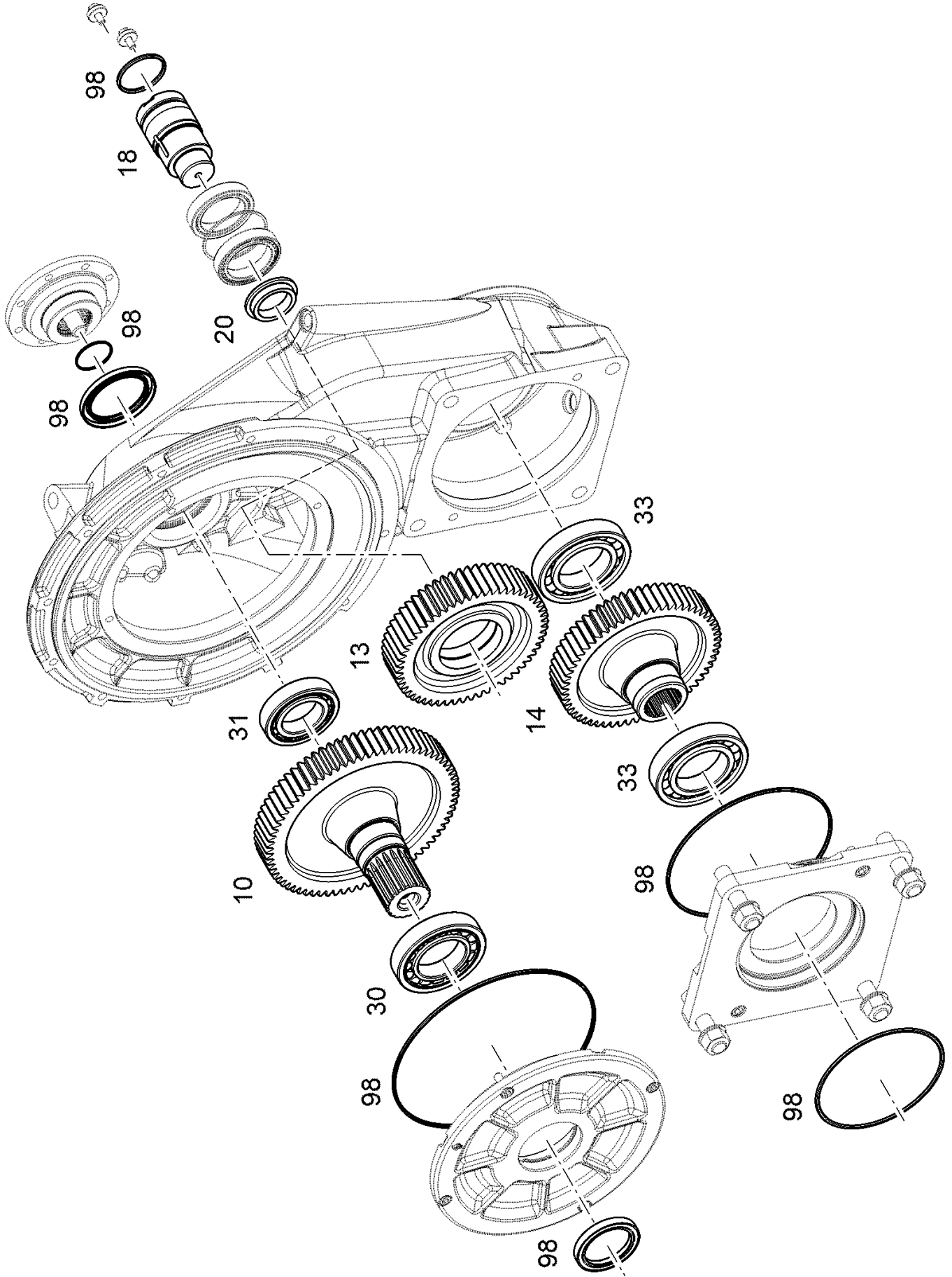
Pos.	Part No.	Description	Dimension	Quantity	Conditions
60	<b>00 1952 083 0</b>	ROTARY SHAFT SEAL	63X85X10	1	
61	<b>00 1952 070 0</b>	ROTARY SHAFT SEAL	75X100X8	1	
62	<b>00 0224 240 0</b>	O-RING	268-215,49X3,53 -N	1	
63	<b>00 0224 231 0</b>	O-RING	258A-151,99X3,53 -N	1	
64	<b>60 0500 859 2</b>	O-RING	275-266,29X3,53-N	1	
65	<b>00 0219 187 0</b>	O-RING	56,74X3,53	1	
66	<b>60 0502 627 7</b>	O-RING	47,35 X 1,78	1	
500		TABELLE		1	

<b>1)</b>	<b>machine no.</b>	+ 0
		+ K5800051
		+ K5800052
		+ K5800053
		+ K5800054
		+ K5800055
		+ K5800056
		+ K5800057
		+ K5800059
		+ K5800060



**010 COMPLETE ENGINE 1)**

Pos.	Part No.	Description	Dimension	Quantity	Conditions
18	<b>00 1954 519 0</b>	ZWISCHENRADACHSE	PUMPENVERTEILERG ETRIEBE	1	
20	<b>ERS11</b>	PART HAS NOT BEEN INSTALLED		1	
65	<b>00 0219 187 0</b>	O-RING	56,74X3,53	1	
800		MONTAGEVORSCHRIFT		1	
<hr/>					
<b>1)</b>	<b>machine no.</b>			+ 0	
				+ K5800051	
				+ K5800052	
				+ K5800053	
				+ K5800054	
				+ K5800055	
				+ K5800056	
				+ K5800057	
				+ K5800059	
				+ K5800060	



Thank you so much for reading.  
Please click the “Buy Now!”  
button below to download the  
complete manual.



After you pay.

You can download the most  
perfect and complete manual in  
the world immediately.

Our support email:

[ebooklibonline@outlook.com](mailto:ebooklibonline@outlook.com)