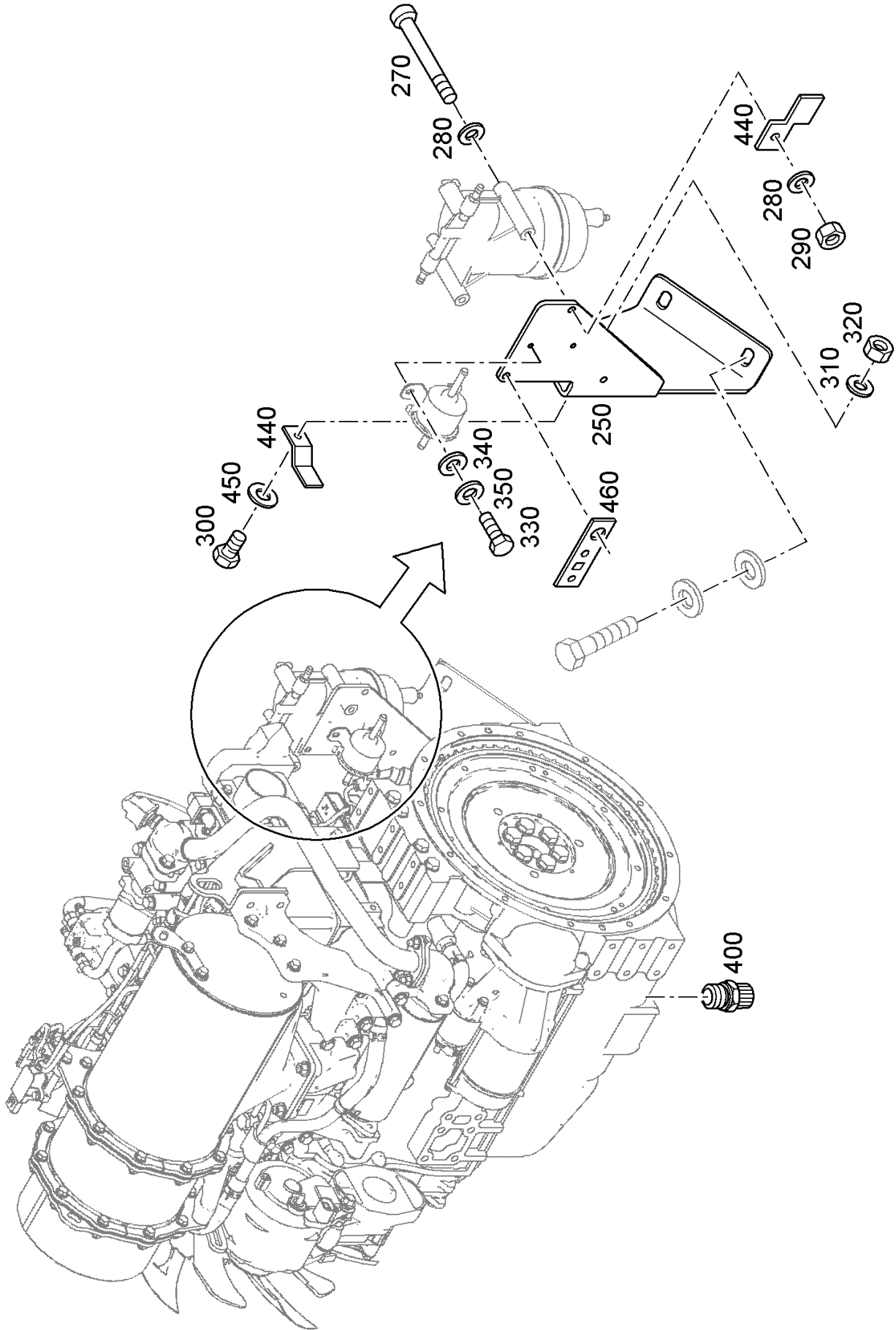


**010 COMPLETE ENGINE 1)**

Pos.	Part No.	Description	Dimension	Quantity	Conditions
20	<b>00 1950 629 0</b>	SUPPORT BRACKET	DIESELMOTOR	2	
30	<b>00 1950 630 0</b>	SUPPORT BRACKET	DIESELMOTOR	2	
40	<b>00 0234 956 2</b>	HEXAGON HEAD BOLT	M10X30-MKL	14	
41	<b>00 0216 172 0</b>	HEXAGON HEAD BOLT	M10X35	2	
45	<b>00 1950 269 0</b>	SUPPORT	MOTOR 535	1	
50	<b>00 0249 310 0</b>	LOCK WASHER	NL10SP - 10,7X21X2,5	16	
60	<b>00 1951 276 0</b>	TAPER BEARING		2	
90	<b>00 1951 187 0</b>	TAPER BEARING		2	
100	<b>00 0211 032 0</b>	HEXAGON HEAD BOLT	M10X25	4	
110	<b>00 1950 303 0</b>	SUPPORT	LUFTFILTER 535	1	
120	<b>00 0470 171 0</b>	FLAT WASHER	10 -10,5X20X2	4	
130	<b>00 0249 310 0</b>	LOCK WASHER	NL10SP - 10,7X21X2,5	16	
140	<b>00 0233 414 0</b>	HEXAGON HEAD BOLT	M10X20	12	
150	<b>00 0249 328 0</b>	LOCK WASHER	VS 10 -10,5X16X1,4X2	12	
160	<b>00 0470 171 0</b>	FLAT WASHER	10 -10,5X20X2	12	

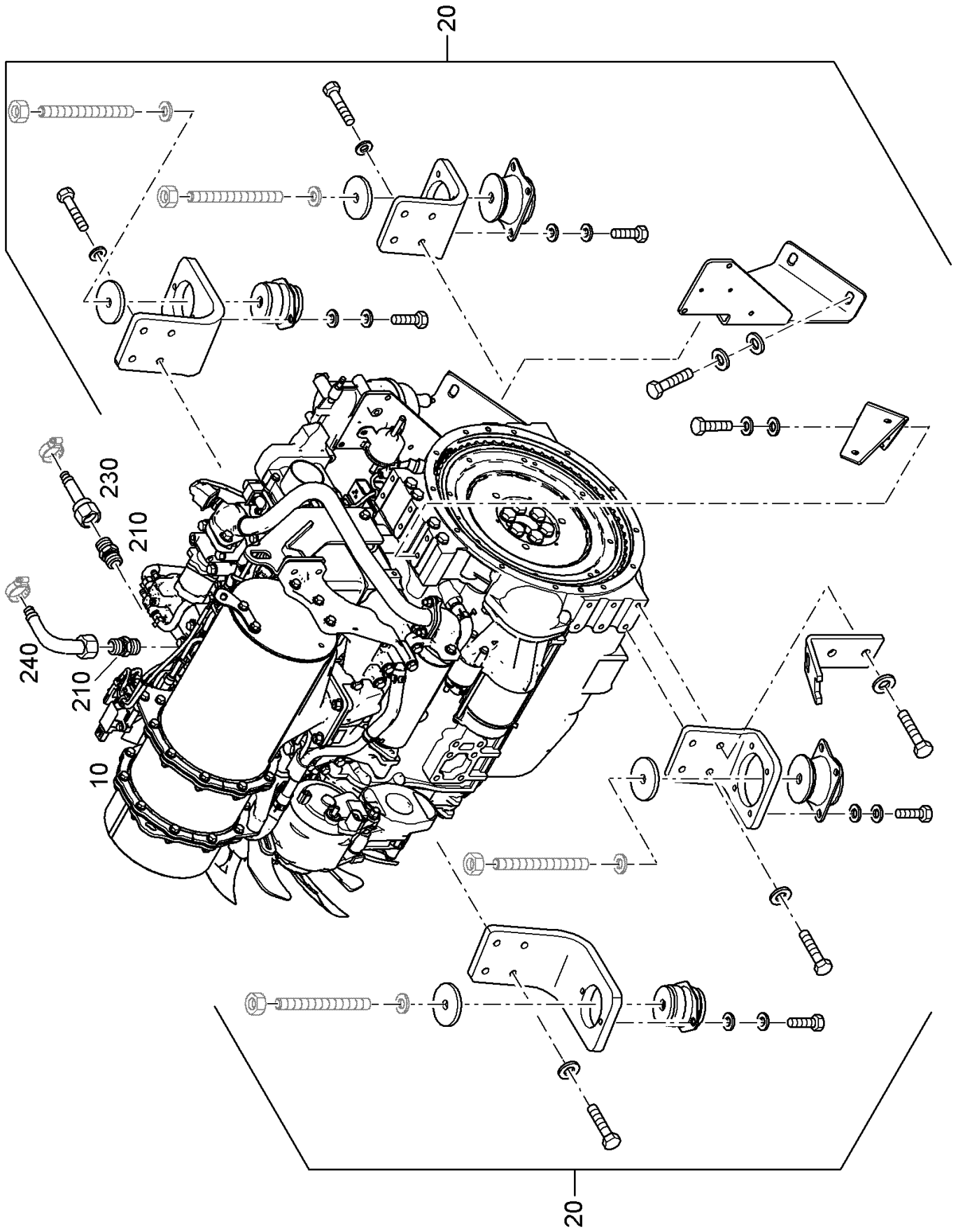
<b>1)</b>	<b>machine no.</b>	+ 0
		+ K5000053
		+ K5000054
		+ K5000055
		+ K5000056
		+ K5000057
		+ K5000058
		+ K5000059
		+ K5000060
		+ K5000061



**010 COMPLETE ENGINE 1)**

Pos.	Part No.	Description	Dimension	Quantity	Conditions
250	<b>00 1950 695 0</b>	SUPPORT BRACKET	ANBAUTEILE MOTOR	1	
270	<b>00 0219 349 0</b>	SOCKET HEAD SCREW	M 8X100	2	
280	<b>00 0224 095 0</b>	FLAT WASHER	8 -8,4X16X1,6	4	
290	<b>77 0303 401 1</b>	NUT	FIH M8X1,25	2	
300	<b>00 0236 200 0</b>	HEXAGON HEAD BOLT	M8X20	1	
310	<b>00 1070 812 1</b>	FLAT WASHER	8-8,4X30X2	1	
320	<b>77 0303 401 1</b>	NUT	FIH M8X1,25	1	
330	<b>00 0237 465 0</b>	HEXAGON HEAD BOLT	M6X16	2	
340	<b>00 0213 646 0</b>	FLAT WASHER	6,4 -6,4X17X3	2	
350	<b>00 0249 326 0</b>	LOCK WASHER	VS 6 -6,4X10X0,9X1,4	2	
400	<b>00 1951 382 0</b>	OELABLASSSCHRAUBE	M22X1,5X38X11	1	
440	<b>00 1950 218 0</b>	SUPPORT		2	
450	<b>00 1070 812 1</b>	FLAT WASHER	8-8,4X30X2	1	
460	<b>00 1950 300 0</b>	BRACKET	MOTOR 535	1	

<b>1)</b>	<b>machine no.</b>	+ 0
		+ K5000053
		+ K5000054
		+ K5000055
		+ K5000056
		+ K5000057
		+ K5000058
		+ K5000059
		+ K5000060
		+ K5000061



**010 COMPLETE ENGINE 1)**

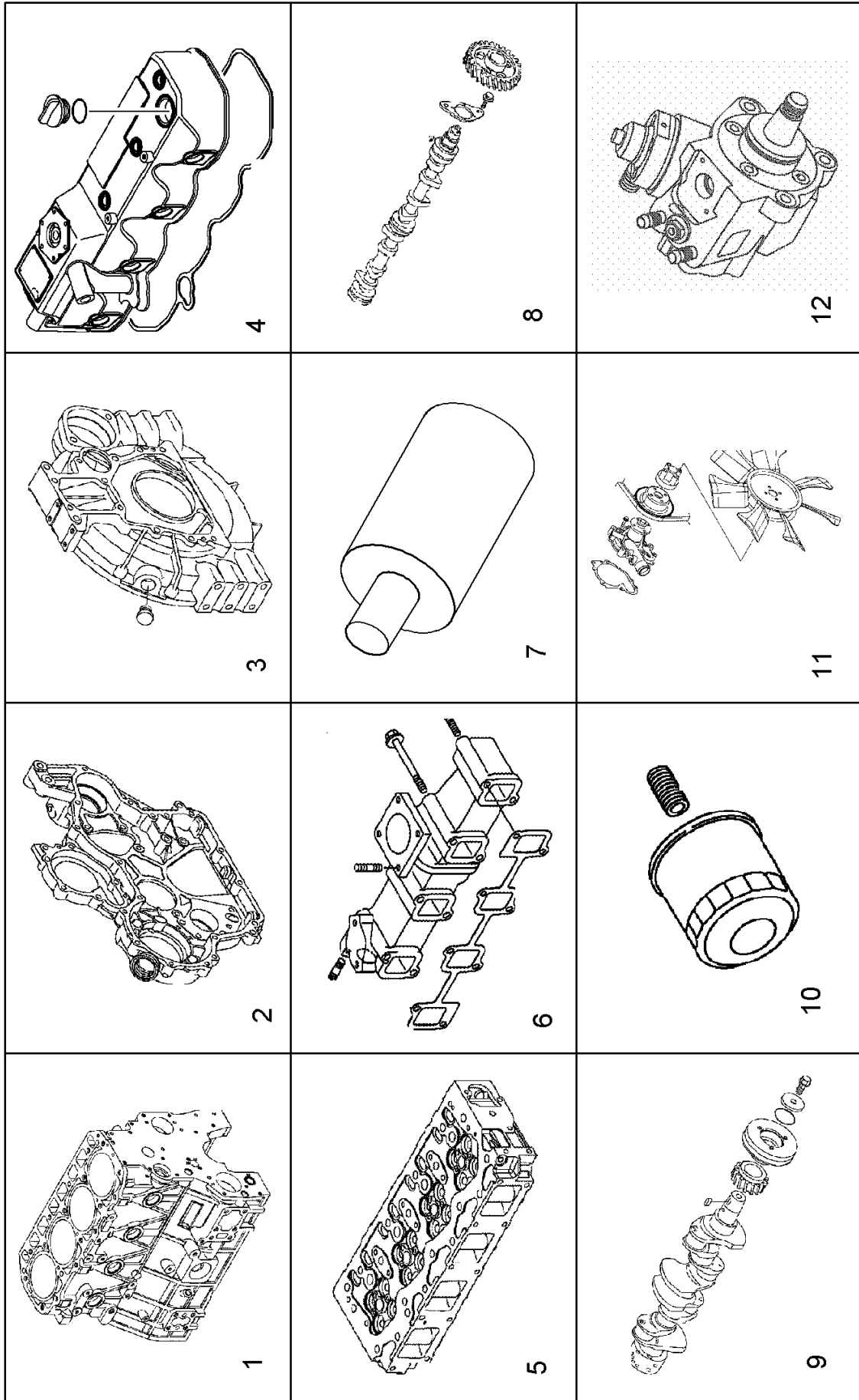
Pos.	Part No.	Description	Dimension	Quantity	Conditions
10	<b>00 1950 809 0</b>	DIESEL ENGINE	4TNV98 TIER 3B 46 KW	1	
20		ANBAUTEILE MOTOR		1	2)
210	<b>00 1951 383 0</b>	UNION	SDS L15 X G3//8 TYP C2		
230	<b>00 1951 177 0</b>	GREASE NIPPLE		1	
240	<b>00 1951 979 0</b>	HOSE FITTING	SWE90-L15-08 (N90-M22X1,	1	

**1) machine no.**

+ 0  
+ K5000053  
+ K5000054  
+ K5000055  
+ K5000056  
+ K5000057  
+ K5000058  
+ K5000059  
+ K5000060  
+ K5000061

**2) Remarks**

-> BGZ 01 02 010 -> Drawing no.: 314742

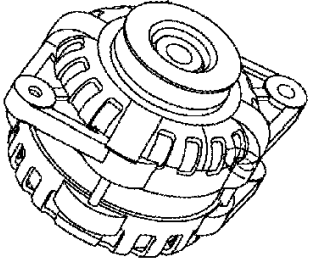
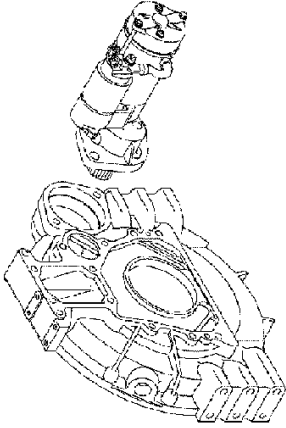
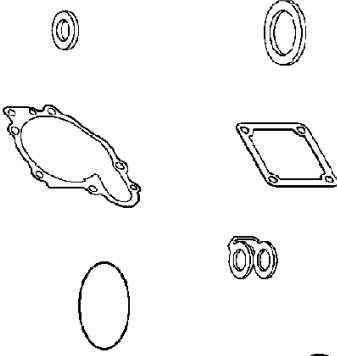
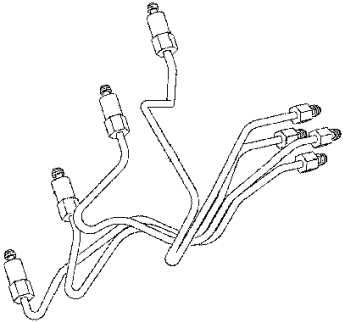
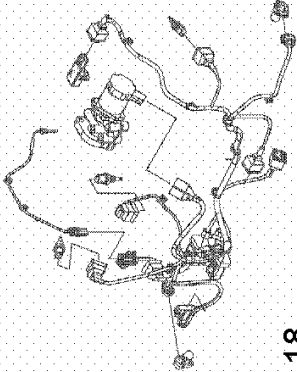
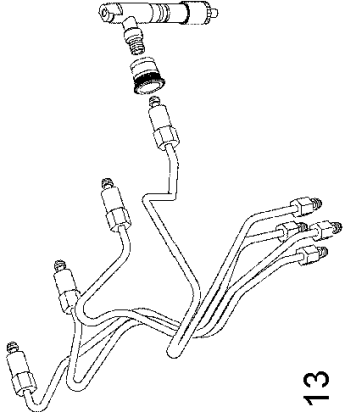
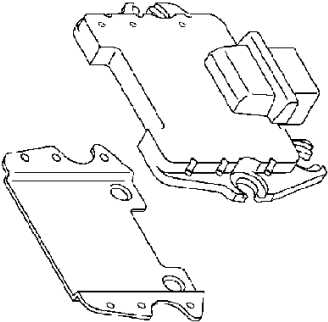


**010 COMPLETE ENGINE 1)**

Pos.	Part No.	Description	Dimension	Quantity	Conditions
1		CYLINDER BLOCK		1	2)
2		GEARBOX HOUSING		1	3)
3		SCHWUNGRADGEHAEUSE		1	4)
4		CYLINDER HEAD		1	5)
5		INLET MANIFOLD		1	6)
6		EXHAUST ELBOW		1	7)
7		FUEL PARTICLE FILTER		1	8)
8		CAM SHAFT		1	9)
9		CRANKSHAFT		1	10)
10		SCHMIEROELSYSTEM		1	11)
11		KUEHLSYSTEM		1	12)
12	<b>ERS08</b>	ORDER SINGLE PARTS		1	

<b>1)</b>	<b>machine no.</b>	+ 0 + K5000052 + K5000053 + K5000054 + K5000055 + K5000056 + K5000057 + K5000058 + K5000059 + K5000060
<b>2)</b>	<b>Remarks</b>	-> BGZ 01 10 100 -> Drawing no.: 309849
<b>3)</b>	<b>Remarks</b>	-> BGZ 01 10 120 -> Drawing no.: 311963
<b>4)</b>	<b>Remarks</b>	-> BGZ 01 10 140 -> Drawing no.: 311964
<b>5)</b>	<b>Remarks</b>	-> BGZ 01 20 100 -> Drawing no.: 311965
<b>6)</b>	<b>Remarks</b>	-> BGZ 01 45 200 -> Drawing no.: 311973
<b>7)</b>	<b>Remarks</b>	-> BGZ 01 40 120 -> Drawing no.: 311974
<b>8)</b>	<b>Remarks</b>	-> BGZ 01 65 400 -> Drawing no.: 311975
<b>9)</b>	<b>Remarks</b>	-> BGZ 01 20 180 -> Drawing no.: 311979
<b>10)</b>	<b>Remarks</b>	-> BGZ 01 15 140 -> Drawing no.: 311980
<b>11)</b>	<b>Remarks</b>	-> BGZ 01 30 140 -> Drawing no.: 311981
<b>12)</b>	<b>Remarks</b>	-> BGZ 01 35 120 -> Drawing no.: 311982



 <p>16</p>		
 <p>15</p>	 <p>19</p>	
 <p>14</p>	 <p>18</p>	
 <p>13</p>	 <p>17</p>	

**010 COMPLETE ENGINE 1)**

Pos.	Part No.	Description	Dimension	Quantity	Conditions
13		EINSPRITZANLAGE		1	2)
14		KRAFTSTOFFLEITUNGEN		1	3)
15	<b>ERS08</b>	ORDER SINGLE PARTS		1	
16		GENERATOR EINBAU		1	4)
17		MOTORSTEUEREINHEIT		1	5)
18		ELEKTRISCHE ANLAGE		1	6)
19	<b>00 1950 790 0</b>	SEAL KIT	ENGINE 46,2KW	1	

**1) machine no.**

+ 0  
+ K5000052  
+ K5000053  
+ K5000054  
+ K5000055  
+ K5000056  
+ K5000057  
+ K5000058  
+ K5000059  
+ K5000060

**2) Remarks**

-> BGZ 01 25 240 -> Drawing no.: 311985

**3) Remarks**

-> BGZ 01 25 140 -> Drawing no.: 311986

**4) Remarks**

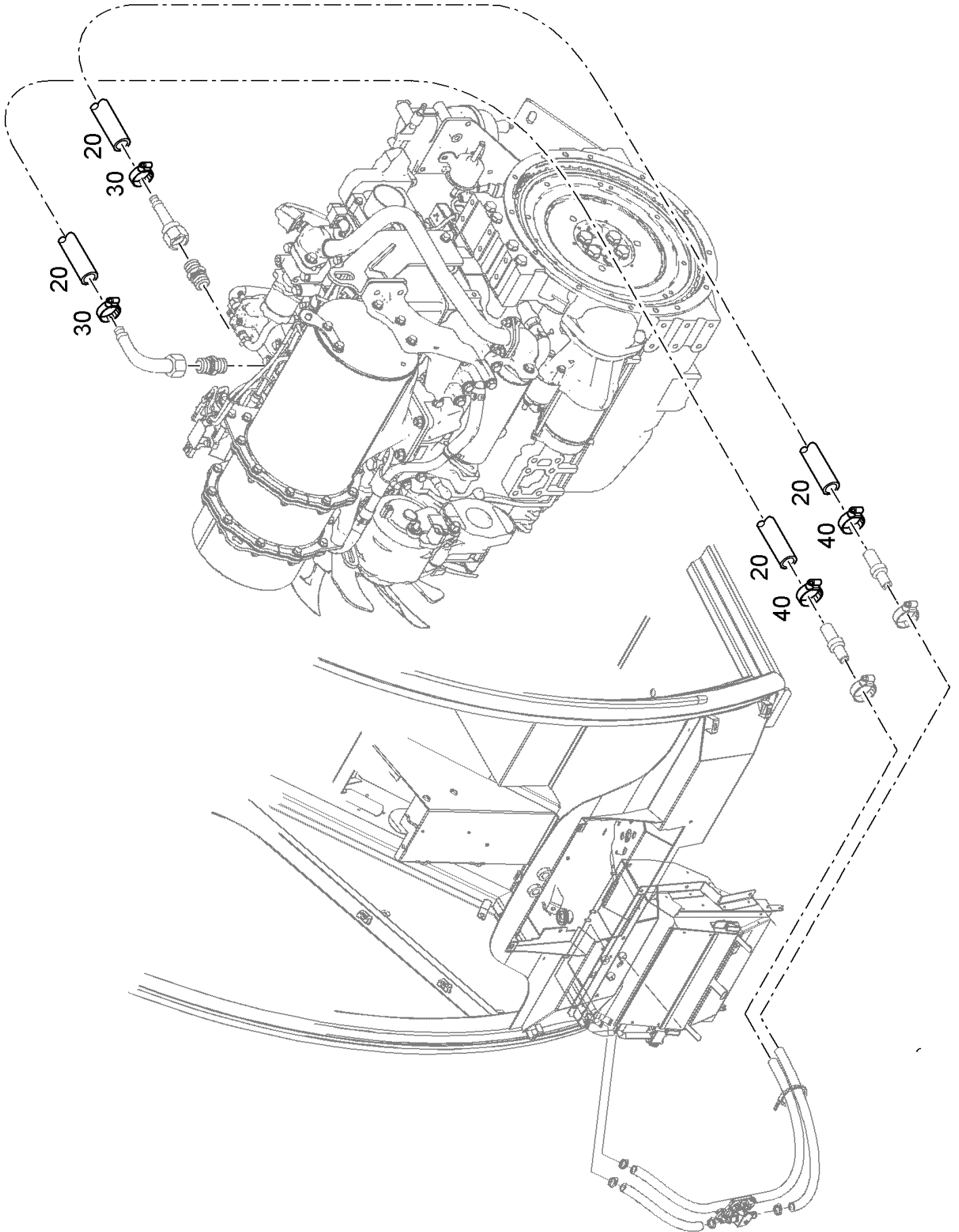
-> BGZ 01 50 120 -> Drawing no.: 310466

**5) Remarks**

-> BGZ 01 55 050 -> Drawing no.: 311988

**6) Remarks**

-> BGZ 01 55 200 -> Drawing no.: 311989

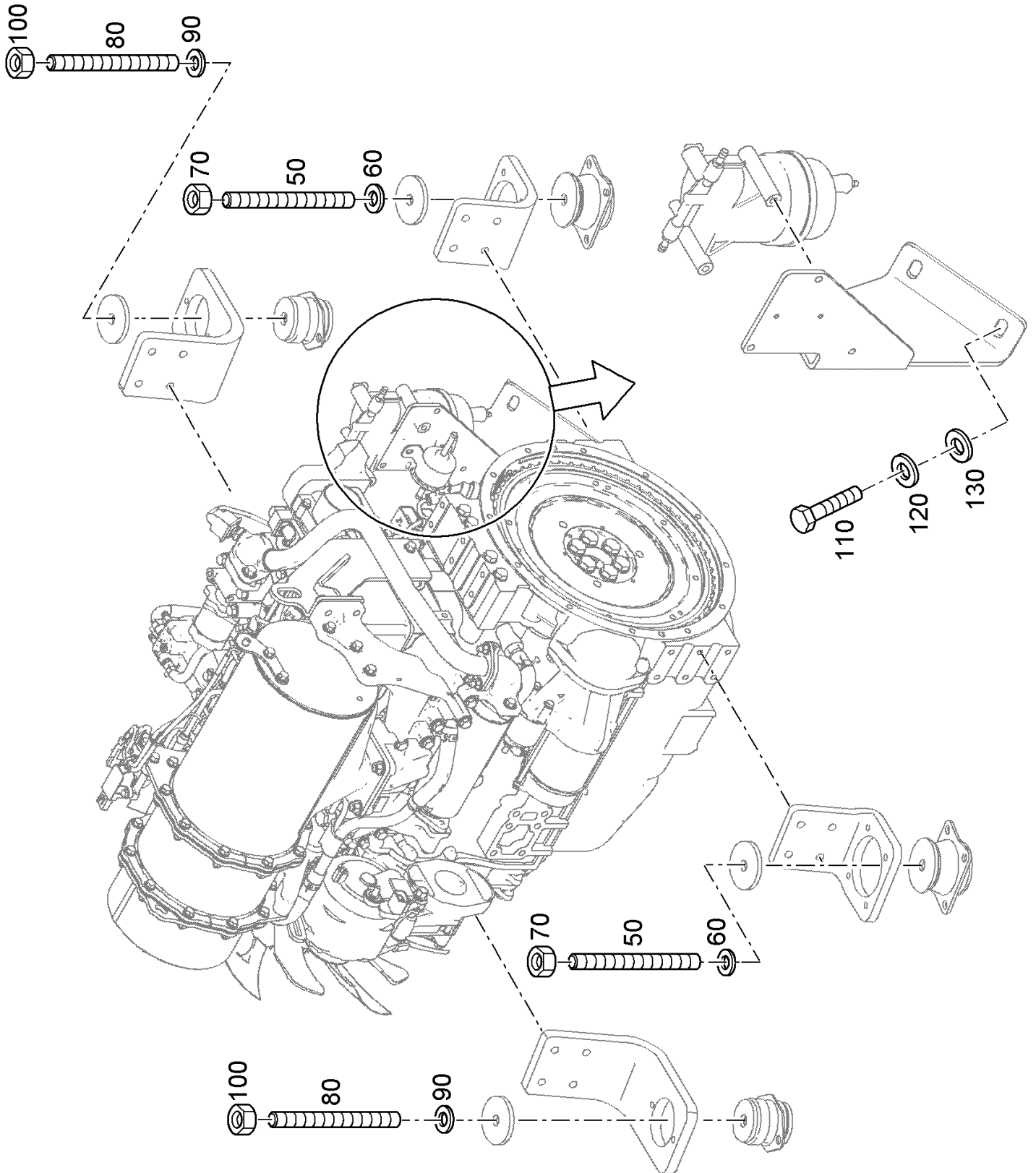


**010 COMPLETE ENGINE 1)**

<b>Pos.</b>	<b>Part No.</b>	<b>Description</b>	<b>Dimension</b>	<b>Quantity</b>	<b>Conditions</b>
20	<b>00 0136 532 0</b>	HOSE	A 15X3,5X15000	5	
30	<b>00 1951 934 0</b>	HOSE CLAMP	21 16-27X9	2	
40	<b>00 1951 934 0</b>	HOSE CLAMP	21 16-27X9	2	

**1) machine no.**

+ 0  
+ K5000053  
+ K5000054  
+ K5000055  
+ K5000056  
+ K5000057  
+ K5000058  
+ K5000059  
+ K5000060  
+ K5000061



**010 COMPLETE ENGINE 1)**

Pos.	Part No.	Description	Dimension	Quantity	Conditions
50	<b>60 0500 929 4</b>	STUD BOLT	M16-M16X1,5X80	2	
60	<b>00 0342 473 0</b>	LOCK WASHER	NL16SP - 17X30,7X3,4	2	
70	<b>00 0217 090 0</b>	HEXAGONAL NUT	M16	2	
80	<b>00 0224 309 0</b>	STUD BOLT	M12X80	2	
90	<b>00 0219 038 0</b>	WASHER	NL12SP - 13X25,4X3,4	2	
100	<b>00 0244 144 0</b>	HEXAGONAL NUT	M12	2	
110	<b>00 0233 456 0</b>	HEXAGON HEAD BOLT	M12X30	2	
120	<b>00 0249 329 1</b>	LOCK WASHER	VS 12 -13X18X1,4X2,1	2	
130	<b>00 0213 801 0</b>	FLAT WASHER	12-13X24X2,5	2	

<b>1)</b>	<b>machine no.</b>	+ 0
		+ K5000053
		+ K5000054
		+ K5000055
		+ K5000056
		+ K5000057
		+ K5000058
		+ K5000059
		+ K5000060
		+ K5000061

Thank you so much for reading.  
Please click the “Buy Now!”  
button below to download the  
complete manual.



After you pay.

You can download the most  
perfect and complete manual in  
the world immediately.

Our support email:

[ebooklibonline@outlook.com](mailto:ebooklibonline@outlook.com)