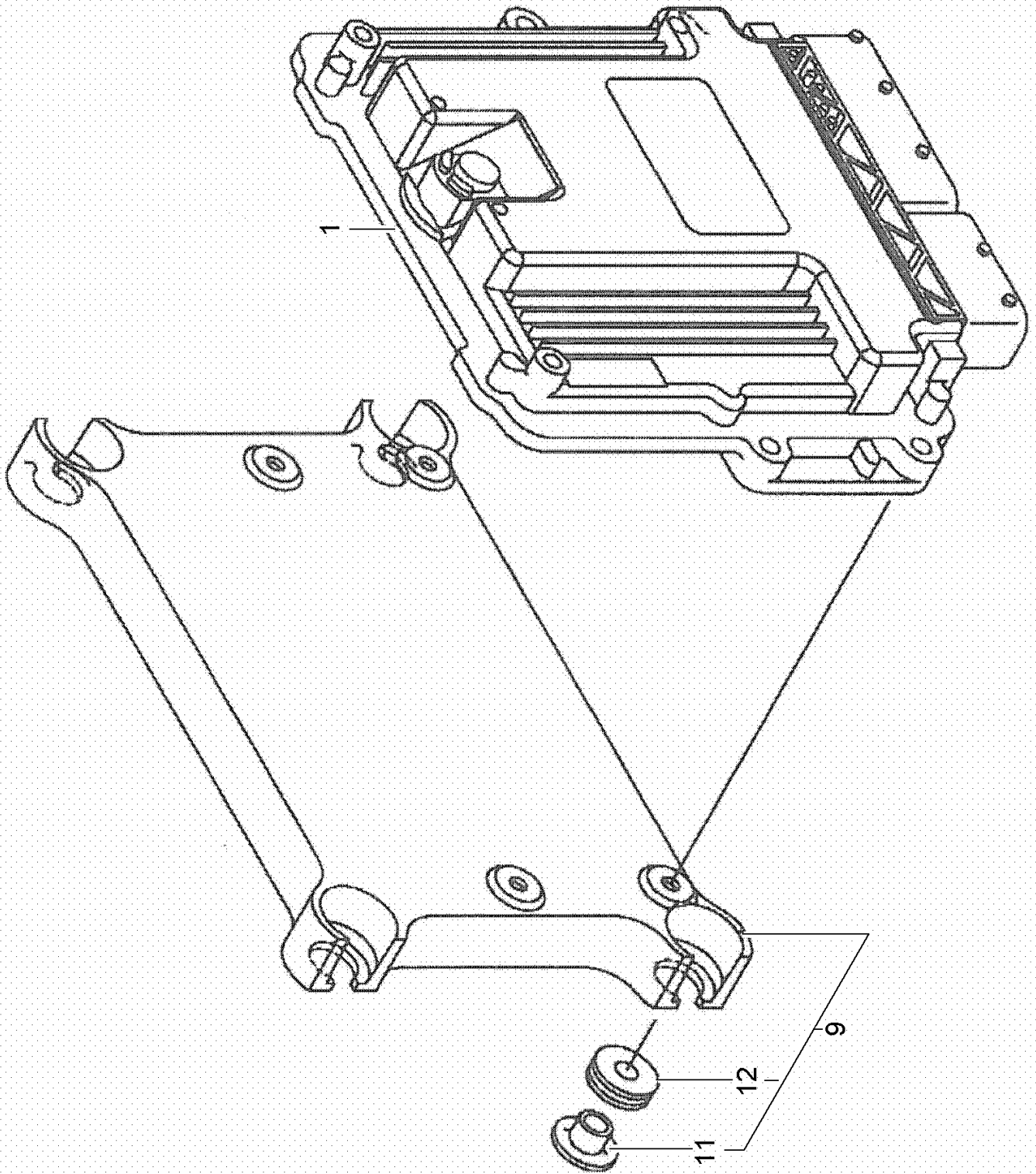


120 ALTERNATOR 1)

Pos.	Part No.	Description	Dimension	Quantity	Conditions
1	00 1952 565 0	GENERATOR		1	
2	00 1951 266 0	HEXAGON HEAD BOLT		1	
3	00 1951 267 0	SPACER PIECE		1	
4	00 1951 205 0	NUT		1	
5	00 1950 180 0	BRACKET	LICHTMASCHINE 535	1	
6	00 1951 268 0	HEXAGON HEAD BOLT		1	
7	00 1951 269 0	HEXAGON HEAD BOLT		1	
8	00 1951 094 0	RELAY		1	
11	00 1951 270 0	WASHER		3	
12	00 1951 095 0	RELAY		1	

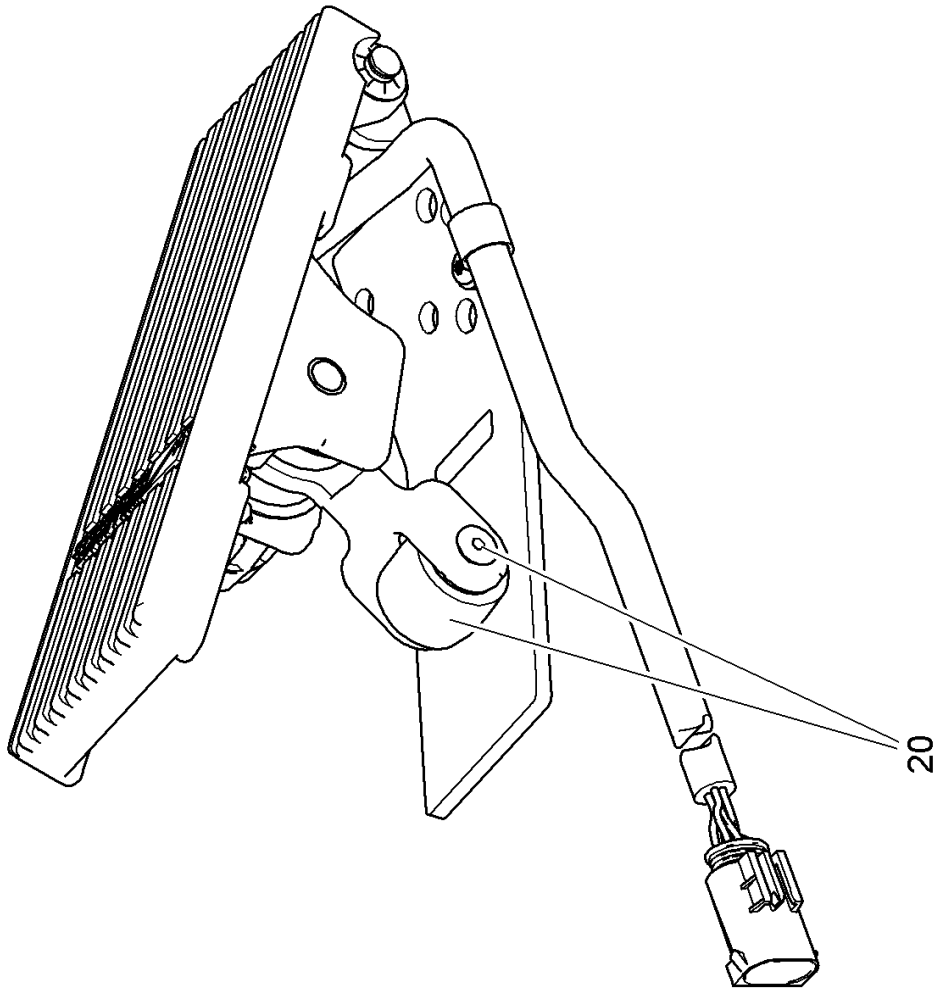
1)	machine no.	+ 0
		+ K5200051
		+ K5200052
		+ K5200053
		+ K5200054
		+ K5200055
		+ K5200056
		+ K5200057
		+ K5200058
		+ K5200059



050 GOVERNOR, ELECTRICAL 1)

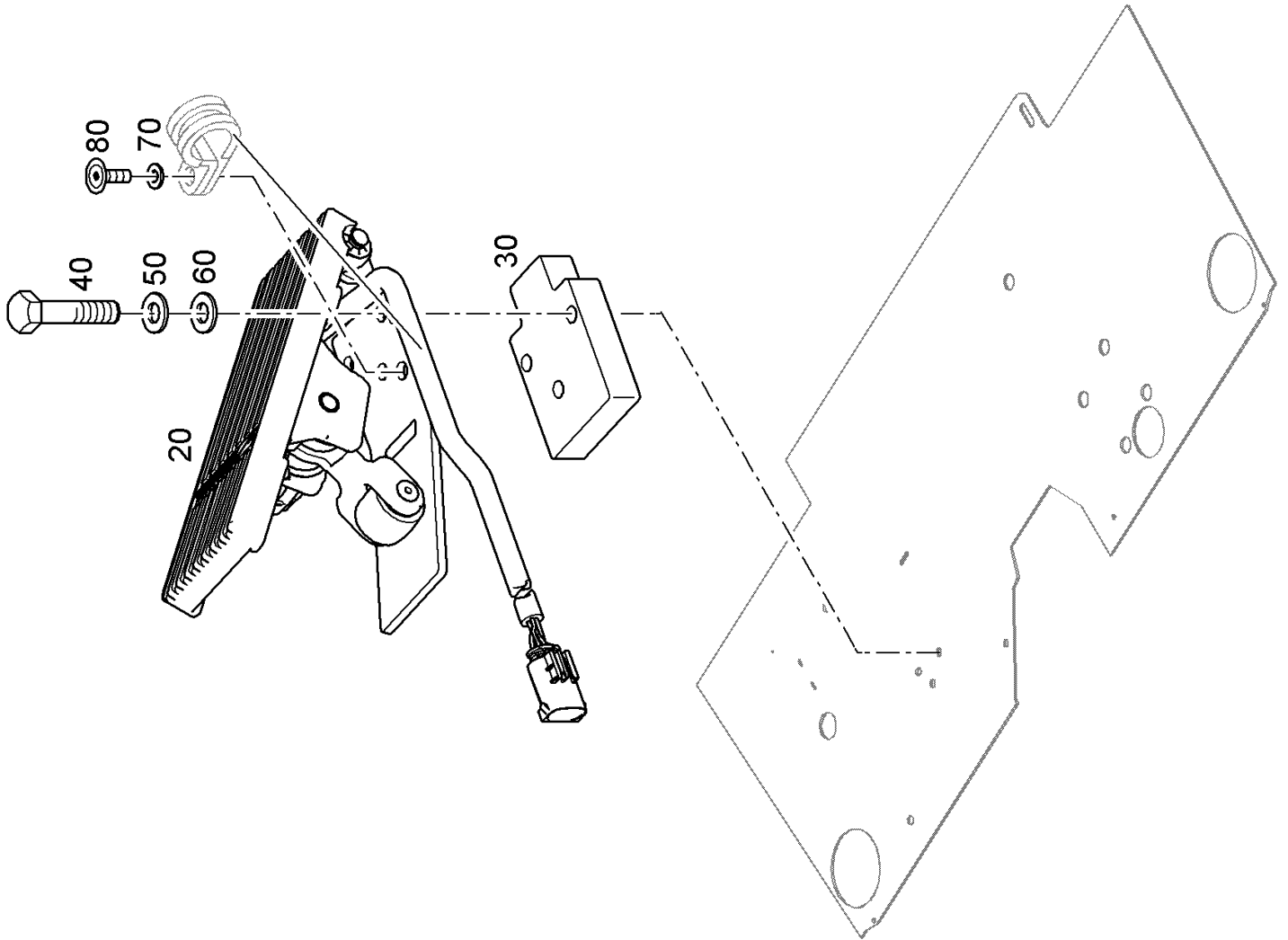
Pos.	Part No.	Description	Dimension	Quantity	Conditions
1	00 1951 111 0	ENGINE CONTROL UNIT		1	
9	00 1951 110 0	BRACKET		1	
11	00 1951 096 0	FLANGED BUSH		4	
12	00 1951 271 0	DAMPER		4	

1)	machine no.	+ 0
		+ K5200051
		+ K5200052
		+ K5200053
		+ K5200054
		+ K5200055
		+ K5200056
		+ K5200057
		+ K5200058
		+ K5200059



140 ACCELARATOR PEDAL 1)

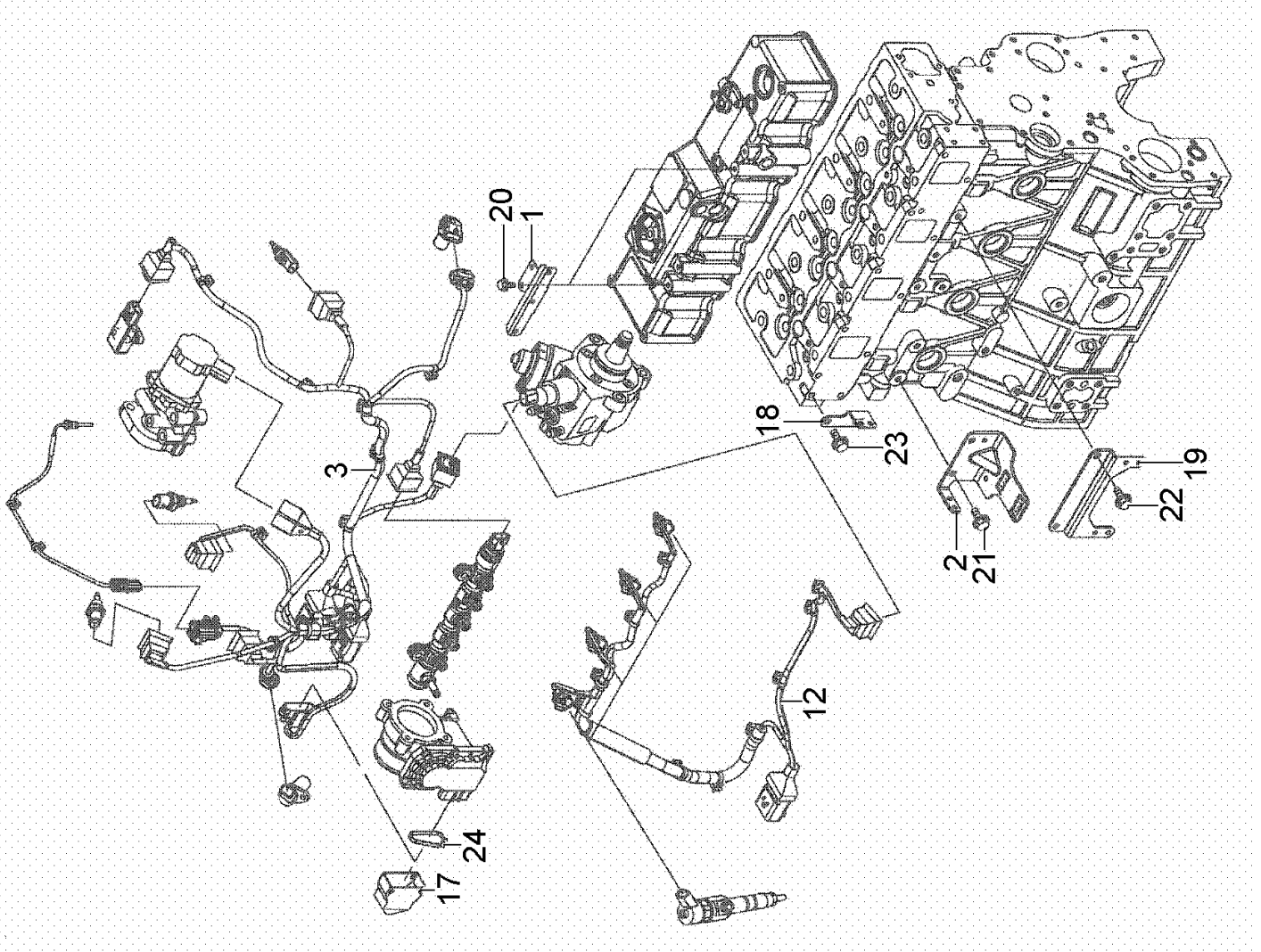
Pos.	Part No.	Description	Dimension	Quantity	Conditions
20	00 1951 075 0	ROLLRAD	KIT GASPEDAL	1	
1)	machine no.				
					+ 0
					+ K5200051
					+ K5200052
					+ K5200053
					+ K5200054
					+ K5200055
					+ K5200056
					+ K5200057
					+ K5200058
					+ K5200059



140 ACCELARATOR PEDAL 1)

Pos.	Part No.	Description	Dimension	Quantity	Conditions
20	00 1950 368 0	FOOT PEDAL	ACCELERATOR	1	
40	00 0244 223 0	HEXAGON HEAD BOLT	M 8X50	3	
50	00 0249 327 0	LOCK WASHER	VS 8 -8,4X13X1,1,1X1,73		
60	00 0213 717 0	WASHER	8 -8,4X16X1,6	3	
70	00 1992 698 0	FLAT WASHER	4 -4,3X9X0,8	1	
80	77 0300 700 3	SCREW	M3X16	1	

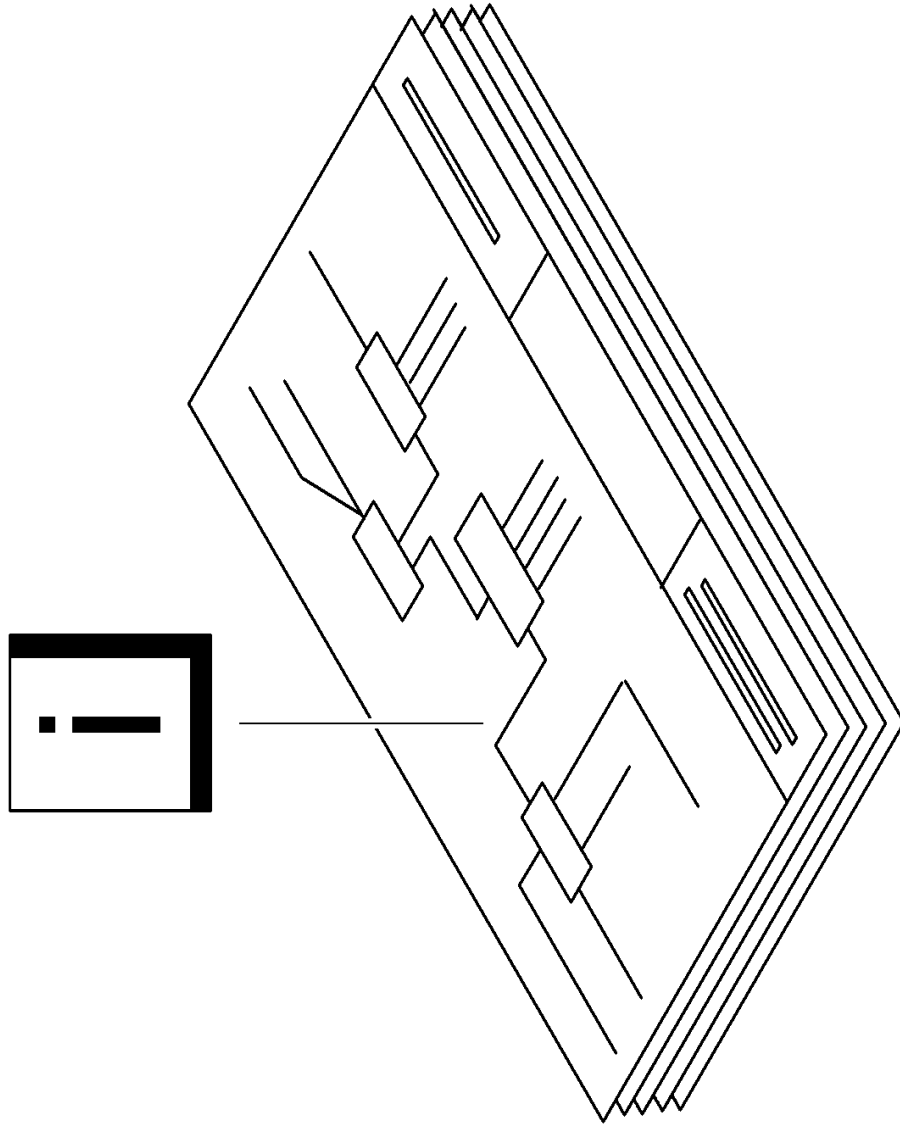
1)	machine no.	+ 0
		+ K5200051
		+ K5200052
		+ K5200053
		+ K5200054
		+ K5200055
		+ K5200056
		+ K5200057
		+ K5200058
		+ K5200059



200 ENGINE ELECTRICS 1)

Pos.	Part No.	Description	Dimension	Quantity	Conditions
1	00 1950 185 0	BRACKET		2	
2	00 1950 186 0	BRACKET		1	
3	00 1950 365 0	WIRING LOOM	DIESELMOTOR	1	
12	00 1950 367 0	WIRING LOOM	DIESELMOTOR	1	
17	00 1951 294 0	COVER CAP	ELEKTR. ANLAGE MOTOR	1	
18	00 1950 187 0	BRACKET		1	
19	00 1950 188 0	BRACKET		1	
20	00 1951 231 0	HEXAGON HEAD BOLT		4	
21	00 1951 218 0	HEXAGON HEAD BOLT	M08X12	2	
22	00 1951 218 0	HEXAGON HEAD BOLT	M08X12	2	
23	00 1951 218 0	HEXAGON HEAD BOLT	M08X12	2	
24	00 1951 295 0	GASKET		1	

1)	machine no.	+ 0
		+ K5200051
		+ K5200052
		+ K5200053
		+ K5200054
		+ K5200055
		+ K5200056
		+ K5200057
		+ K5200058
		+ K5200059



200 ENGINE ELECTRICS 1)

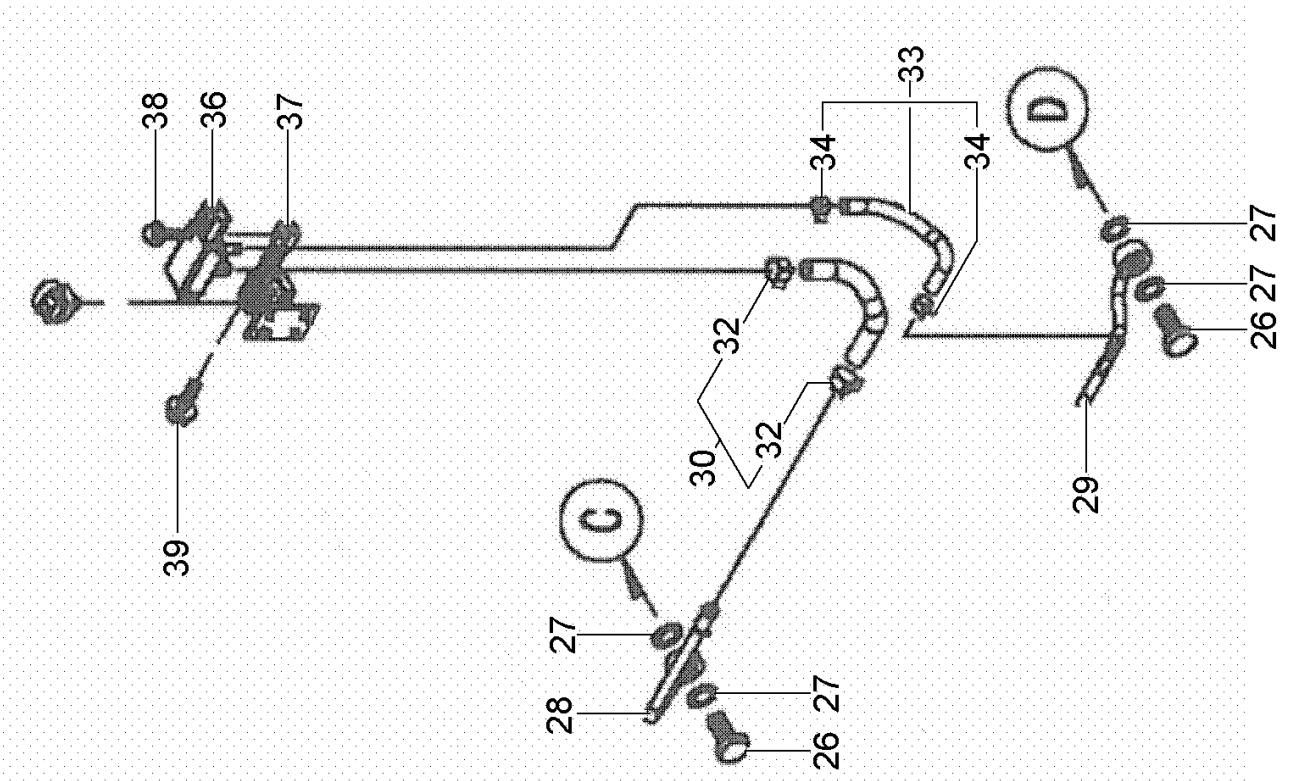
Pos.	Part No.	Description	Dimension	Quantity	Conditions
151	ERS06	NOT DELIVERABLE AS A SINGLE PART		2	
152	ERS06	NOT DELIVERABLE AS A SINGLE PART		1	
153	ERS06	NOT DELIVERABLE AS A SINGLE PART		1	
154	77 0002 967 3	CONNECTION		1	
155	ERS06	NOT DELIVERABLE AS A SINGLE PART		2	
156	ERS06	NOT DELIVERABLE AS A SINGLE PART		1	
157	ERS06	NOT DELIVERABLE AS A SINGLE PART		1	
158	ERS06	NOT DELIVERABLE AS A SINGLE PART		1	
159	ERS06	NOT DELIVERABLE AS A SINGLE PART		1	
160	ERS06	NOT DELIVERABLE AS A SINGLE PART		1	
161	ERS06	NOT DELIVERABLE AS A SINGLE PART		1	
162	ERS06	NOT DELIVERABLE AS A SINGLE PART		1	
163	ERS06	NOT DELIVERABLE AS A SINGLE PART		1	
164	ERS06	NOT DELIVERABLE AS A SINGLE PART		1	
165	ERS06	NOT DELIVERABLE AS A SINGLE PART		1	
166	00 1304 597 0	HOUSING	6-POLIG DTM	1	
167	ERS06	NOT DELIVERABLE AS A SINGLE PART		1	
168	ERS06	NOT DELIVERABLE AS A SINGLE PART		1	
169	ERS06	NOT DELIVERABLE AS A SINGLE PART		1	
307	ERS06	NOT DELIVERABLE AS A SINGLE PART		6	
340	ERS06	NOT DELIVERABLE AS A SINGLE PART		13	
341	ERS06	NOT DELIVERABLE AS A SINGLE PART		15	
342	ERS06	NOT DELIVERABLE AS A SINGLE PART		61	
390	00 1116 361 0	SPINDLE	1,6 DT16-18 E	16	
391	ERS06	NOT DELIVERABLE AS A SINGLE PART		5	
392	ERS06	NOT DELIVERABLE AS A SINGLE PART		1	
403	ERS06	NOT DELIVERABLE AS A SINGLE PART		1	
437	ERS06	NOT DELIVERABLE AS A SINGLE PART		4	
500	ERS06	NOT DELIVERABLE AS A SINGLE PART		33	
504	ERS06	NOT DELIVERABLE AS A SINGLE PART		1	
600	ERS06	NOT DELIVERABLE AS A SINGLE PART		2	
643	ERS06	NOT DELIVERABLE AS A SINGLE PART		3	
666	ERS06	NOT DELIVERABLE AS A SINGLE PART		4	
694	00 0212 789 0	PLUG-IN SLEEVE	A 6,3-1	1	
695	00 0178 761 0	PLUG-IN SLEEVE	A 6,3-2,5 (1,5-2,5 MM2)	3	
721	ERS06	NOT DELIVERABLE AS A SINGLE PART		2	
722	ERS06	NOT DELIVERABLE AS A SINGLE PART		3	
737	ERS06	NOT DELIVERABLE AS A SINGLE PART		6	
743	ERS06	NOT DELIVERABLE AS A SINGLE PART		11	
771	ERS06	NOT DELIVERABLE AS A SINGLE PART		4	
779	ERS06	NOT DELIVERABLE AS A SINGLE PART		1	
806	00 1124 762 0	CLIP		41	
813	ERS06	NOT DELIVERABLE AS A SINGLE PART		2	
823	ERS06	NOT DELIVERABLE AS A SINGLE PART		2	
825	ERS06	NOT DELIVERABLE AS A SINGLE PART		9	
832	ERS06	NOT DELIVERABLE AS A SINGLE PART		4	
835	ERS06	NOT DELIVERABLE AS A SINGLE PART		4	
850	ERS06	NOT DELIVERABLE AS A SINGLE PART		2	
873	ERS06	NOT DELIVERABLE AS A SINGLE PART		4	
887	ERS06	NOT DELIVERABLE AS A SINGLE PART		4	
952	ERS06	NOT DELIVERABLE AS A SINGLE PART		1	

1) machine no.

+ 0

200 ENGINE ELECTRICS 1)

- 1) + K5200051
 - + K5200052
 - + K5200053
 - + K5200054
 - + K5200055
 - + K5200056
 - + K5200057
 - + K5200058
 - + K5200067
 - + K5200086
-



020 SENSORS 1)

Pos.	Part No.	Description	Dimension	Quantity	Conditions
26	00 1951 343 0	HEXAGON HEAD BOLT		2	
27	ERS06	NOT DELIVERABLE AS A SINGLE PART		4	
28	00 1950 791 0	PIPE	SENSOR	1	
29	00 1950 792 0	PIPE	SENSOR	1	
30	00 1950 793 0	HOSE PIPE	SENSOR	1	
32	00 1951 344 0	HOSE CLIP	SENSOR	2	
33	00 1950 794 0	HOSE PIPE	SENSOR	1	
34	00 1951 345 0	HOSE CLIP		2	
36	00 1950 795 0	PRESSURE SENSOR	DIESEL PARTICULATE FILTE	1	2)
-		<i>Please order additionally!</i> <i>00 1955 939 0 MODIFICATION KIT</i>		1,000	
37	00 1950 796 0	SENSOR BRACKET	DIESEL PARTICULATE FILTE	1	
38	00 1951 209 0	HEXAGON HEAD BOLT	M6 X 16	2	
39	00 1951 203 0	HEXAGON HEAD BOLT		2	

1) machine no.

- + 0
- + K5200051
- + K5200052
- + K5200053
- + K5200054
- + K5200055
- + K5200056
- + K5200057
- + K5200058
- + K5200059

2) machine no.

- + from K5200051 up to K5200091

Thank you so much for reading.
Please click the “Buy Now!”
button below to download the
complete manual.



After you pay.

You can download the most
perfect and complete manual in
the world immediately.

Our support email:

ebooklibonline@outlook.com