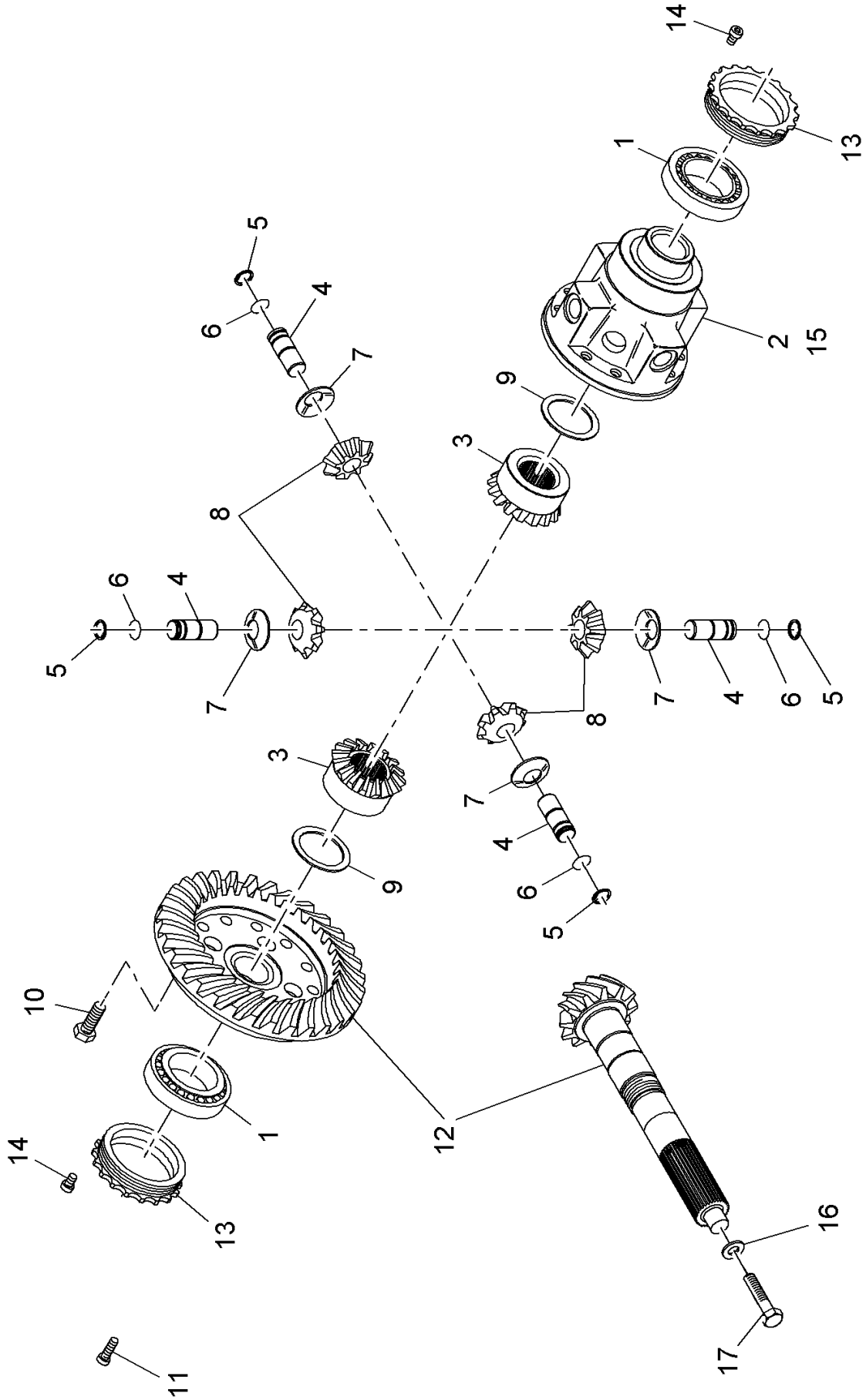


010 COMPLETE REAR DRIVE AXLE 1)

Pos.	Part No.	Description	Dimension	Quantity	Conditions
1	00 0211 930 0	O-RING	215,57X2,62-NBR 70	3	
2	00 1955 164 0	COVER		1	
4	00 1301 557 0	PLUG		1	
5	00 1952 612 0	BREATHER		1	
7	00 1301 549 0	PLUG		1	
8	00 1301 559 0	PLUG		1	
9	00 0235 190 0	CIRCLIP	90X3	1	

1)	machine no.	+ 0
		+ K5300051
		+ K5300052
		+ K5300053
		+ K5300054
		+ K5300055
		+ K5300056
		+ K5300057
		+ K5300058
		+ K5300059

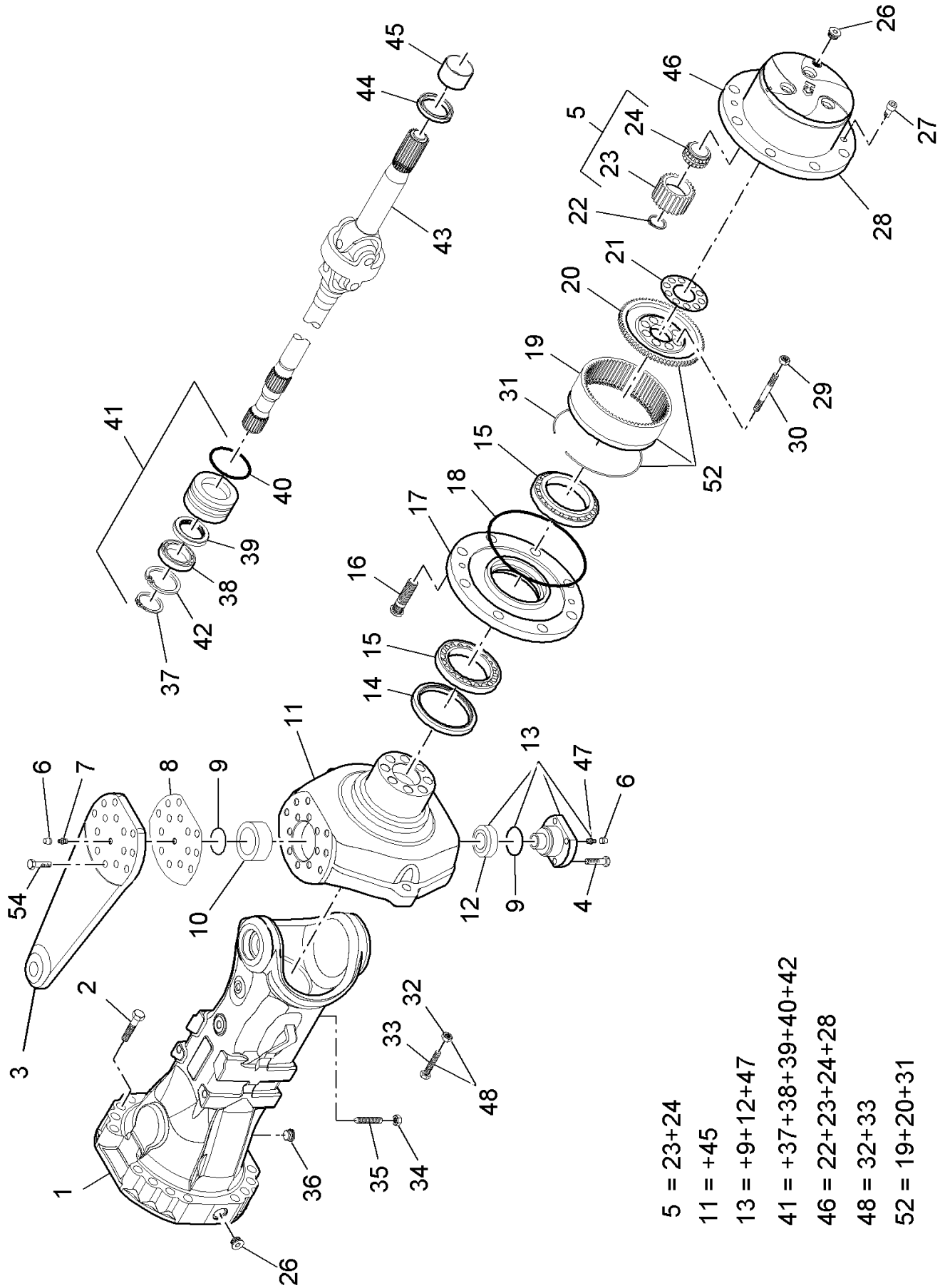


15 = 2+3+4+5+6+7+8+9

010 COMPLETE REAR DRIVE AXLE 1)

Pos.	Part No.	Description	Dimension	Quantity	Conditions
2	ERS06	NOT DELIVERABLE AS A SINGLE PART		1	
3	ERS06	NOT DELIVERABLE AS A SINGLE PART		2	
4	ERS06	NOT DELIVERABLE AS A SINGLE PART		4	
5	ERS06	NOT DELIVERABLE AS A SINGLE PART		4	
6	ERS06	NOT DELIVERABLE AS A SINGLE PART		4	
7	ERS06	NOT DELIVERABLE AS A SINGLE PART		4	
8	ERS06	NOT DELIVERABLE AS A SINGLE PART		4	
9	ERS11	PART HAS NOT BEEN INSTALLED		2	
10	00 0244 493 0	HEX.HEAD BOLT	M12X1,5X35	12	
11	00 0235 488 1	SOCKET HEAD SCREW	M8X25	4	
13	00 1301 322 0	NUT		2	
14	00 0239 102 0	ZYLINDERSCHR IN-6KT	M 8X12	2	
15	00 1300 721 0	DIFFERENTIAL		1	

1)	machine no.	+ 0
		+ K5300051
		+ K5300052
		+ K5300053
		+ K5300054
		+ K5300055
		+ K5300056
		+ K5300057
		+ K5300058
		+ K5300059

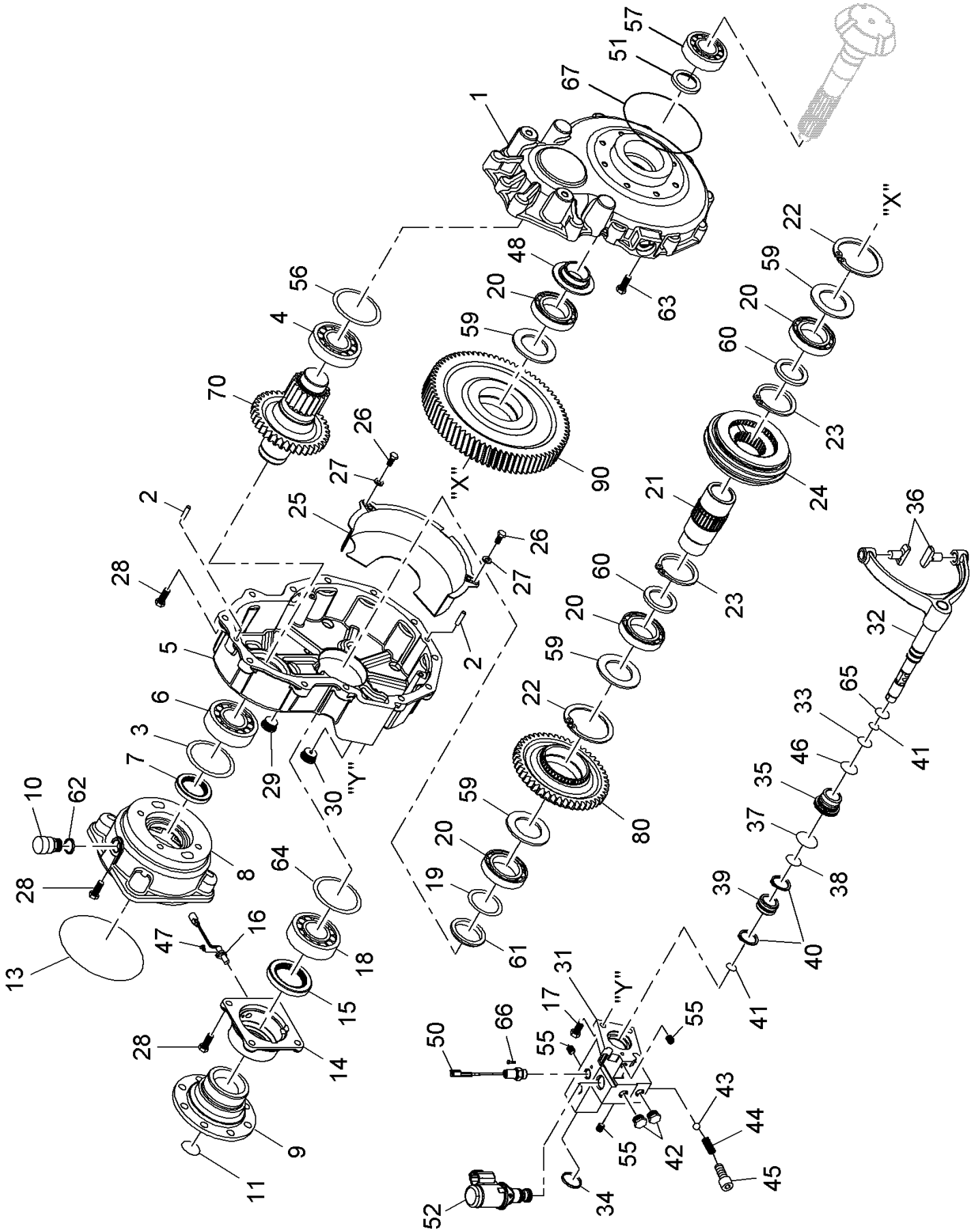


- 5 = 23+24
- 11 = +45
- 13 = +9+12+47
- 41 = +37+38+39+40+42
- 46 = 22+23+24+28
- 48 = 32+33
- 52 = 19+20+31

010 COMPLETE REAR DRIVE AXLE 1)

Pos.	Part No.	Description	Dimension	Quantity	Conditions
2	00 1301 500 0	SCREW		28	
4	00 0244 493 0	HEX.HEAD BOLT	M12X1,5X35	12	
5	ERS11	PART HAS NOT BEEN INSTALLED		6	
6	00 1163 422 0	COVER		4	
7	00 1302 506 0	GREASE NIPPLE	A M10X1X34	2	
8	ERS11	PART HAS NOT BEEN INSTALLED		1	
9	00 1301 122 0	SEALING RING		4	
10	00 1955 945 0	BUSHING		2	
11	00 1955 987 0	ARTICULATION CASE		2	
13	00 1955 169 0	KINGPIN		2	
14	00 1300 286 0	SEALING RING		2	
15	60 0502 615 5	TA.ROLLER BEARING		4	
16	00 1955 260 0	WHEEL BOLT		16	
17	00 1955 159 0	WHEEL HUB		2	
18	00 0211 930 0	O-RING	215,57X2,62-NBR 70	2	
19	00 1955 160 0	TOOTHED RIM		2	
20	00 1955 161 0	HOLLOW WHEEL SUPPORT		2	
21	00 1301 518 0	CIRCLIP		2	
22	00 0214 470 0	CIRCLIP	38X2,5	3	
23	00 1955 162 0	PLANETARY GEAR		6	
26	00 1301 549 0	PLUG		4	
27	00 1301 507 0	COUNTERSUNK BOLT		4	
28	ERS11	PART HAS NOT BEEN INSTALLED		1	
29	00 1163 703 0	NUT		16	
30	00 1166 486 0	STUD		16	
31	00 1163 626 0	INT RETAINING RING		2	
32	00 1301 321 0	NUT		4	
33	60 0503 041 1	SCREW		4	
34	00 0244 144 0	HEXAGONAL NUT	M12	2	
35	00 1301 493 0	SCREW		2	
36	00 1301 559 0	PLUG		2	
37	00 0237 862 0	CIRCLIP	50X2	2	
39	00 1301 119 0	SEALING RING		2	
40	00 1301 350 0	O-RING		2	
41	00 1922 779 0	INTERMEDIATE BUSHING	F. AXLE	2	
42	00 0235 190 0	CIRCLIP	90X3	2	
44	00 1300 694 0	SEALING RING		2	
45	00 1300 151 0	THRUST WASHER		2	
46	ERS11	PART HAS NOT BEEN INSTALLED		2	
47	00 0244 949 0	GREASE NIPPLE	A M10X1	2	
52	00 1300 701 0	HOLLOW WHEEL SUPPORT		2	

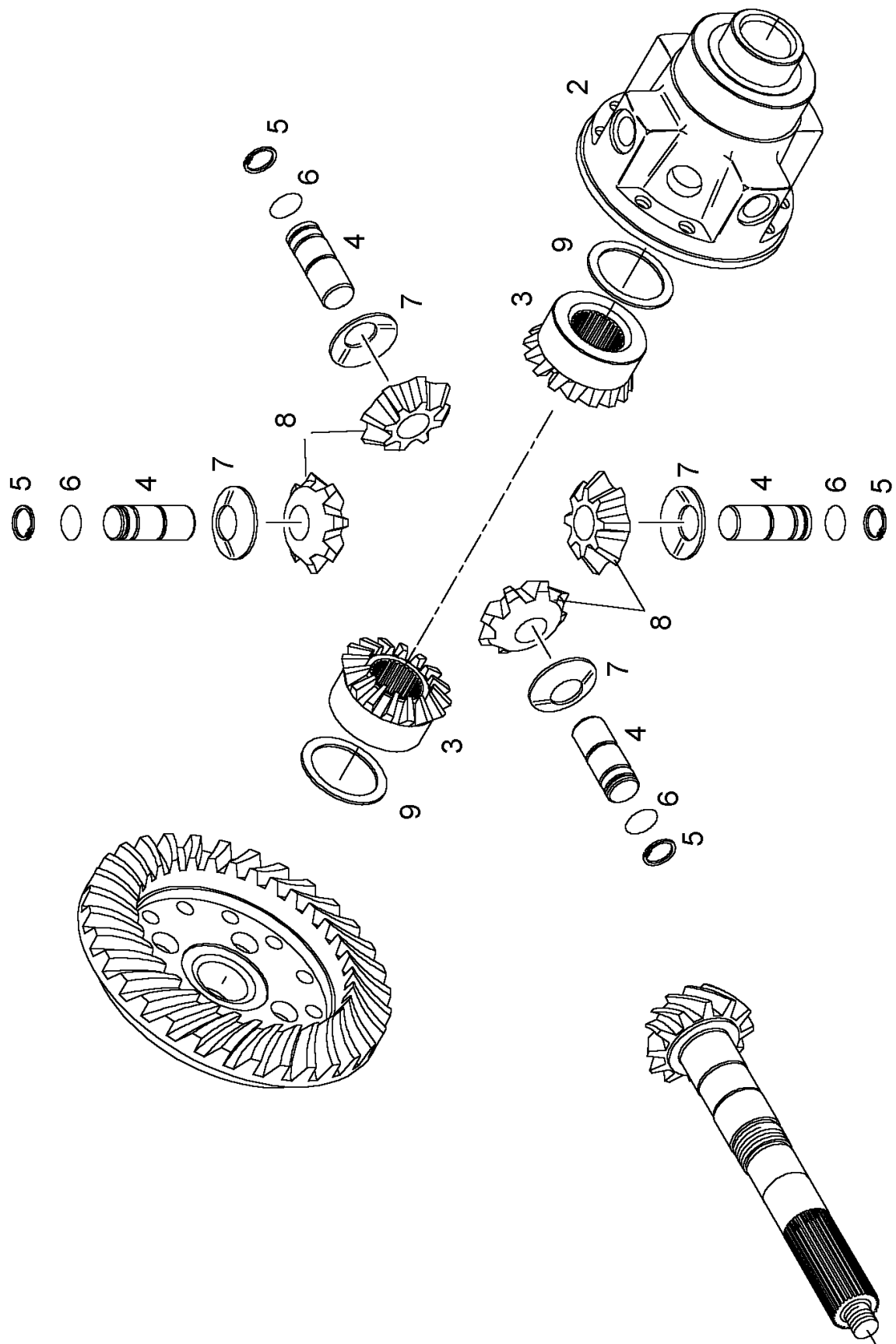
1)	machine no.	+ 0
		+ K5300051
		+ K5300052
		+ K5300053
		+ K5300054
		+ K5300055
		+ K5300056
		+ K5300057
		+ K5300058
		+ K5300059



010 COMPLETE REAR DRIVE AXLE 1)

Pos.	Part No.	Description	Dimension	Quantity	Conditions
5	ERS11	PART HAS NOT BEEN INSTALLED		1	
8	00 1955 250 0	COVER	VERTEILERGETRIEBE	1	
10	00 1953 769 0	BREATHER	A-M22X1,5	1	
11	00 0213 386 0	O-RING	34,2 X 3 -N	1	
14	00 1955 251 0	COVER		1	
15	00 0218 998 0	SHAFT SEAL	AS 60X80X8	1	
16	00 1952 345 0	SPEED SENSOR		1	
18	ERS11	PART HAS NOT BEEN INSTALLED		1	
19	ERS11	PART HAS NOT BEEN INSTALLED		1	
20	ERS11	PART HAS NOT BEEN INSTALLED		4	
22	00 1163 449 0	EXT RETAINING RING		2	
23	00 1953 267 0	PLANETARY HOUSING		2	
24	00 1955 252 0	SYNCHRONISIERUNG KPL.		1	
25	00 1955 253 0	PLATE		1	
27	00 1138 822 0	WASHER		2	
29	00 1300 393 0	PLUG		1	
30	00 0319 840 0	MAGNETIC FILTER BOLT	M22X1,5 KEG	1	
31	00 1955 254 0	COVER	VERTEILERGETRIEBE	1	
32	00 1955 255 0	SHIFT FORK		1	
34	00 1954 235 0	SEALING RING		1	
36	00 1955 256 0	ANTIFRICTION PLATE		2	
37	00 0214 430 0	O-RING	37,77X2,62-N	1	
38	00 1954 236 0	O-RING		1	
39	00 1954 238 0	PISTON		1	
40	00 1954 239 0	LOCKING RING		2	
41	00 1954 237 0	O-RING		2	
42	00 1953 252 0	MAGNETIC PLUG	PLIH-M22X1,5-TYPE F W. M	2	
43	ERS11	PART HAS NOT BEEN INSTALLED		1	
47	00 0013 720 0	HEX. SOCKET CHEESE-HEAD SCREW	M5X20	1	
50	00 1955 257 0	SENSOR		1	
55	00 1953 251 0	PLUG		3	
59	ERS11	PART HAS NOT BEEN INSTALLED		4	
60	ERS11	PART HAS NOT BEEN INSTALLED		2	
61	ERS11	PART HAS NOT BEEN INSTALLED		1	
62	00 0132 241 0	SEALING RING	A 22X27X1,5	1	
65	00 1165 526 0	O-RING		1	

1)	machine no.	+ 0
		+ K5300051
		+ K5300052
		+ K5300053
		+ K5300054
		+ K5300055
		+ K5300056
		+ K5300057
		+ K5300058
		+ K5300059

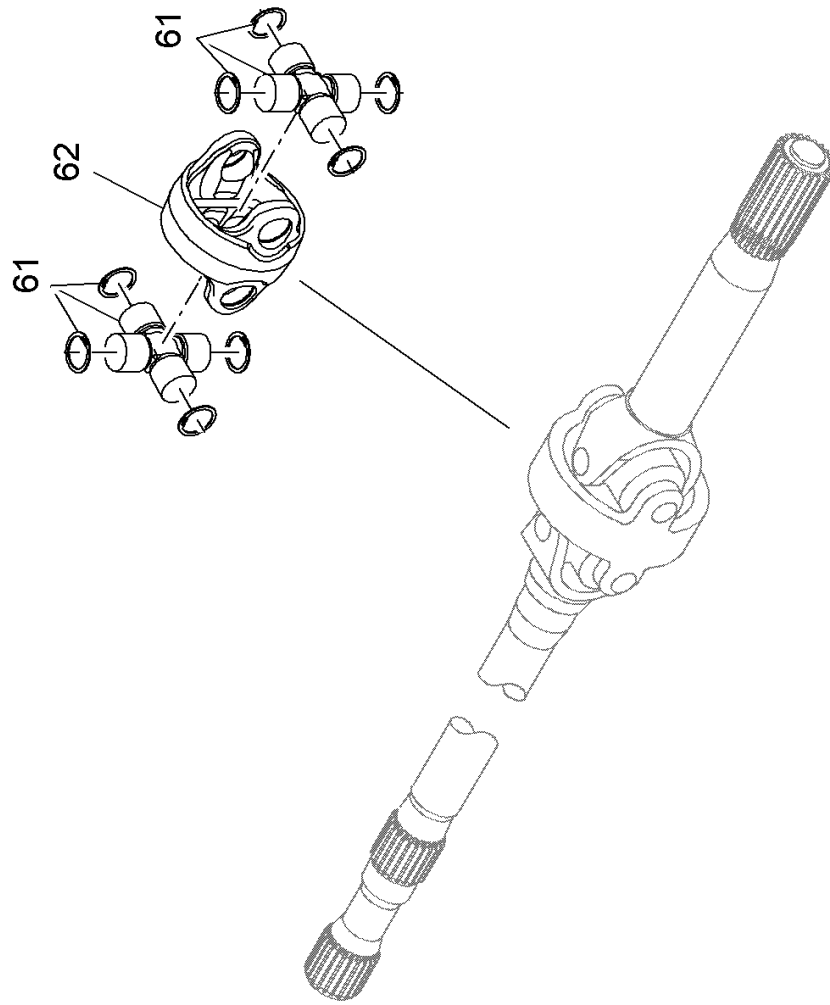


010 COMPLETE REAR DRIVE AXLE 1)

Pos.	Part No.	Description	Dimension	Quantity	Conditions
2	ERS06	NOT DELIVERABLE AS A SINGLE PART		1	
3	ERS06	NOT DELIVERABLE AS A SINGLE PART		2	
4		PIN		4	
5	ERS06	NOT DELIVERABLE AS A SINGLE PART		4	
6	ERS06	NOT DELIVERABLE AS A SINGLE PART		4	
7	ERS06	NOT DELIVERABLE AS A SINGLE PART		4	
8	ERS06	NOT DELIVERABLE AS A SINGLE PART		4	
9	ERS11	PART HAS NOT BEEN INSTALLED		2	

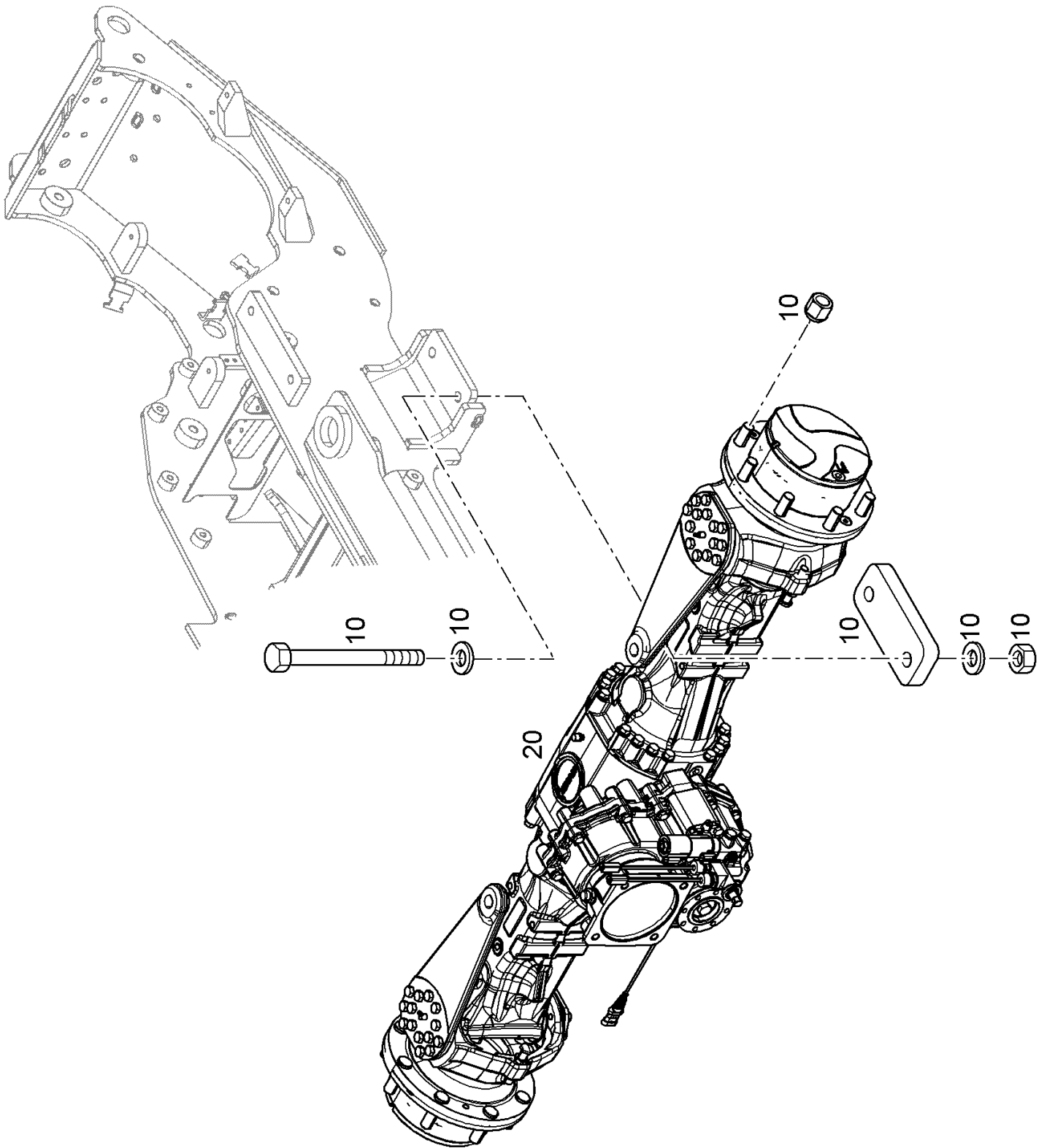
1) machine no.

+ 0
+ K5300051
+ K5300052
+ K5300053
+ K5300054
+ K5300055
+ K5300056
+ K5300057
+ K5300058
+ K5300059



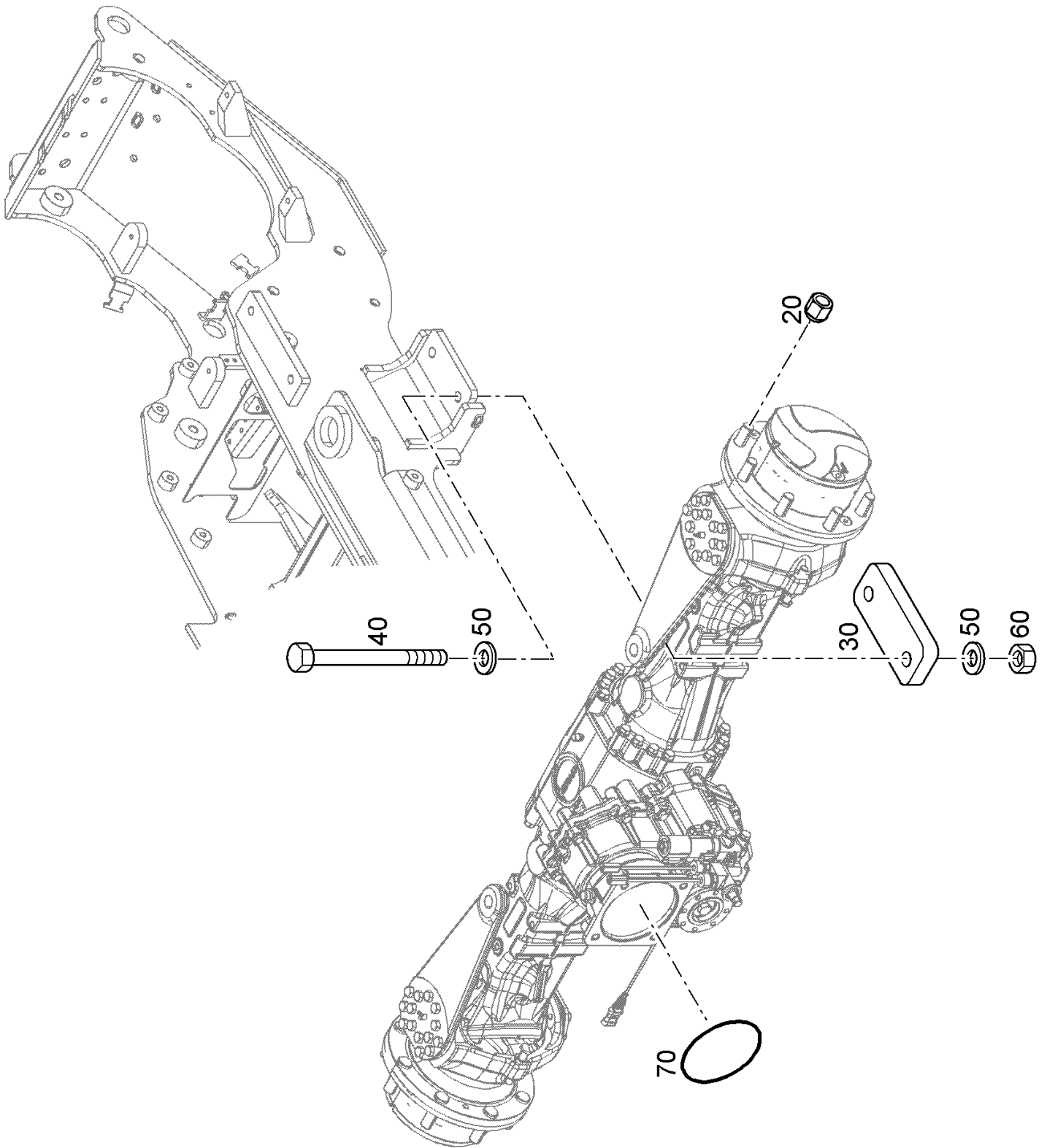
010 COMPLETE REAR DRIVE AXLE 1)

1) machine no.	+ 0
	+ K5300051
	+ K5300052
	+ K5300053
	+ K5300054
	+ K5300055
	+ K5300056
	+ K5300057
	+ K5300058
	+ K5300059



010 COMPLETE REAR DRIVE AXLE 1)

Pos.	Part No.	Description	Dimension	Quantity	Conditions
10	ERS08	ORDER SINGLE PARTS		1	
20	ERS11	PART HAS NOT BEEN INSTALLED		1	
1)	machine no.			+ 0	
				REAR AXLE ASSEMBLY	



Thank you so much for reading.
Please click the “Buy Now!”
button below to download the
complete manual.



After you pay.

You can download the most
perfect and complete manual in
the world immediately.

Our support email:

ebooklibonline@outlook.com