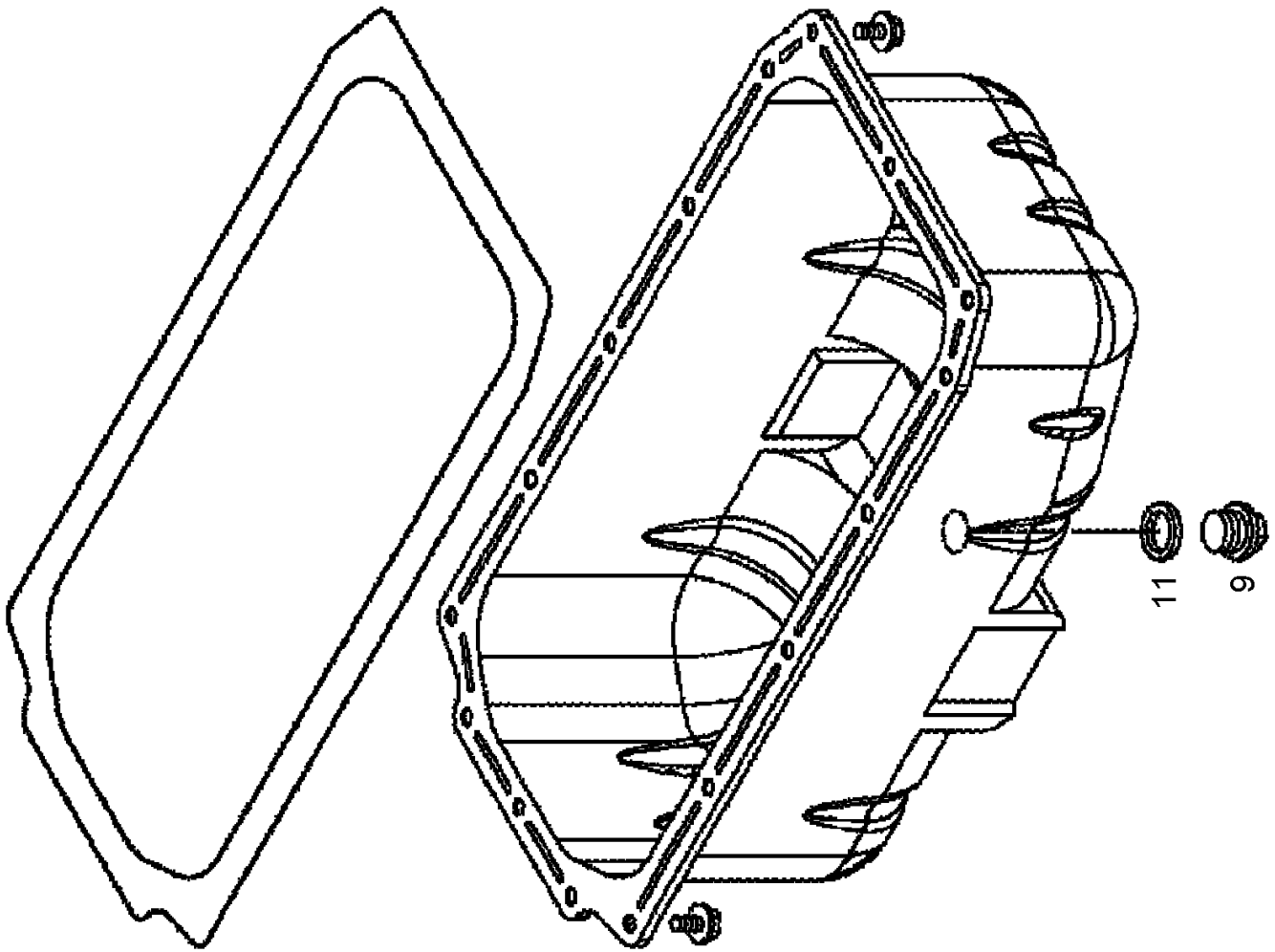


140 FLYWHEEL HOUSING 1)

Pos.	Part No.	Description	Dimension	Quantity	Conditions
1	00 1951 198 0	PIN		2	
2	ERS11	PART HAS NOT BEEN INSTALLED		1	
3	00 1951 213 0	CAP		1	
4	00 1951 214 0	HEXAGON HEAD BOLT		9	
5	00 1951 281 0	HEXAGON HEAD BOLT		4	
6	00 1951 215 0	GASKET		1	
7	00 1951 079 0	OIL SUMP	W. GASKET + PLUG	1	
8	00 1951 216 0	OELABLASSSCHRAUBE	OELWANNE	1	
10	00 1951 217 0	GASKET		1	
11	00 1951 218 0	HEXAGON HEAD BOLT	M08X12	16	
12	00 1951 105 0	SENSOR	DREHZAHL AM SCHWUNGRADGE	1	
13	00 1951 282 0	ZYLINDERKOPFSCHRAUBE		1	
99	ERS05	NO LONGER AVAILABLE		1	
<hr/>					
1)	machine no.				
				+ 0	
				+ K6000201	
				+ K6000202	
				+ K6000203	
				+ K6000204	
				+ K6000205	
				+ K6000206	
				+ K6000207	
				+ K6000208	
				+ K6000209	

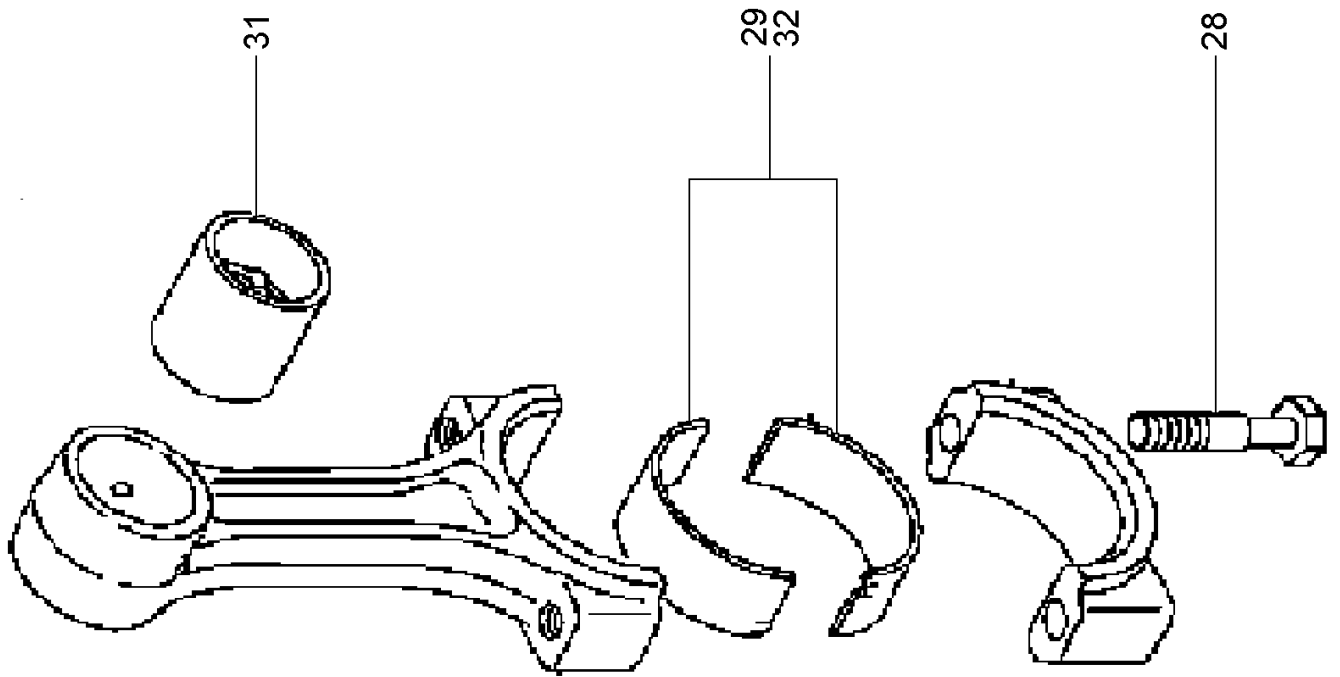


160 OIL PAN 1)

Pos.	Part No.	Description	Dimension	Quantity	Conditions
9	00 1951 216 0	OELABLASSSCHRAUBE	OELWANNE	1	
11	00 1951 217 0	GASKET		1	

1) machine no.

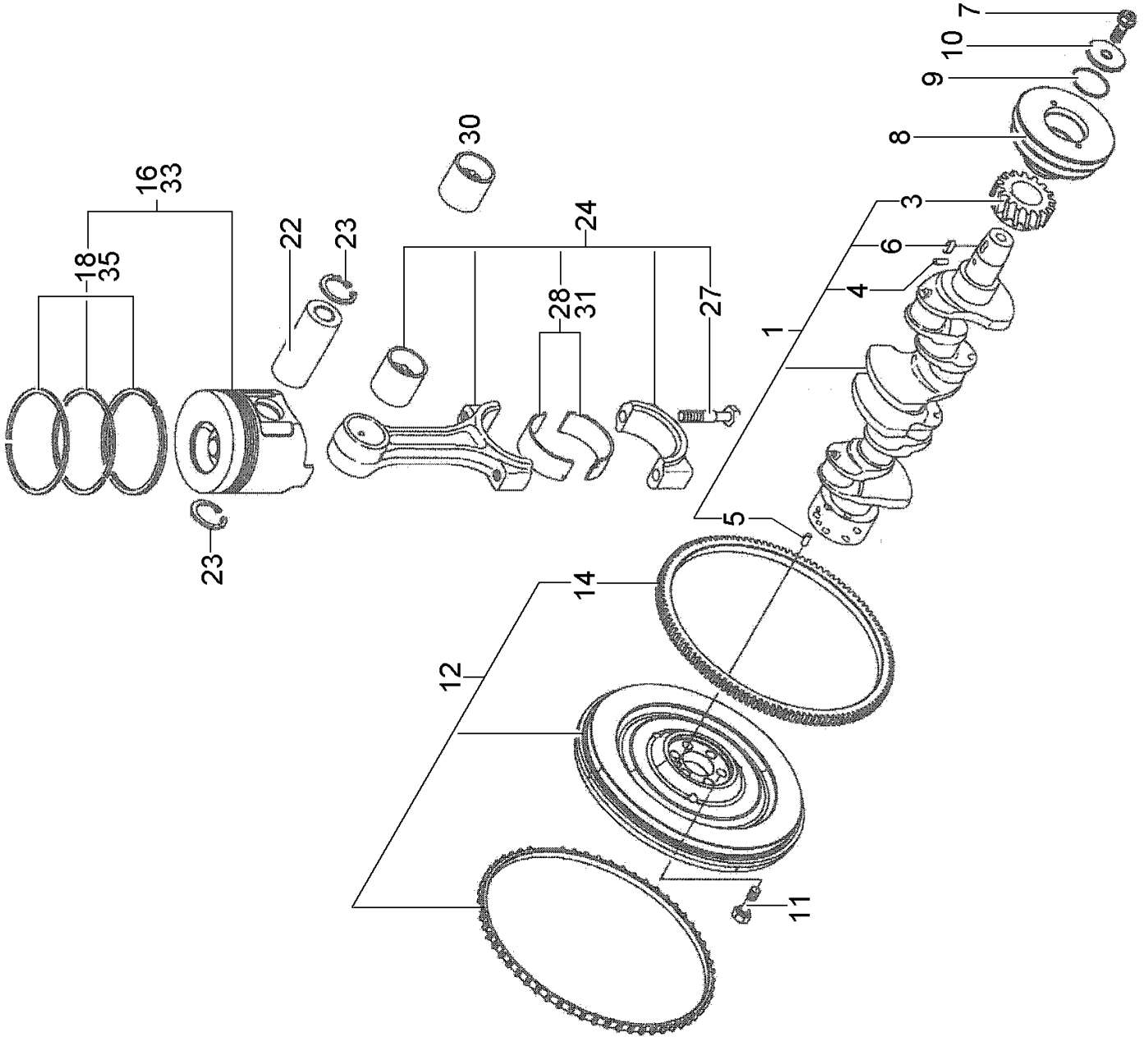
+ 0
+ K6000201
+ K6000202
+ K6000203
+ K6000204
+ K6000205
+ K6000206
+ K6000207
+ K6000208
+ K6000209



120 CONNECTING ROD, CONNECTING ROD BEARINGS 1)

Pos.	Part No.	Description	Dimension	Quantity	Conditions
28	00 1951 246 0	HEXAGON HEAD BOLT		2	
29	00 1951 083 0	BEARING SHELL		1	
31	00 1951 084 0	CONNECT.ROD BUSH.		1	
32	00 1951 085 0	LAGERSCHALE UEBERMASS		1	

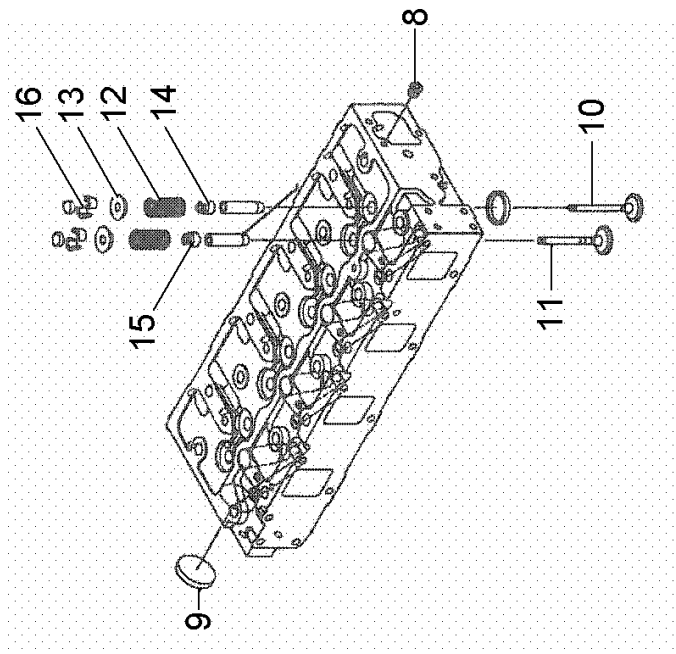
1)	machine no.	+ 0
		+ K6000201
		+ K6000202
		+ K6000203
		+ K6000204
		+ K6000205
		+ K6000206
		+ K6000207
		+ K6000208
		+ K6000209



140 CRANKSHAFT 1)

Pos.	Part No.	Description	Dimension	Quantity	Conditions
1	00 1955 830 0	CRANKSHAFT	CPL. CRANKSHAFT ENGINE	1	
3	00 1951 155 0	GEAR		1	
4	00 1951 240 0	PIN		1	
5	00 1951 241 0	PIN		1	
6	00 1951 237 0	SPRING		1	
7	00 1951 242 0	HEXAGON HEAD BOLT		1	
8	00 1952 586 0	V-BELT PULLEY		1	
9	00 1951 356 0	O-RING		1	
10	00 1951 357 0	WASHER		1	
11	00 1951 244 0	HEXAGON HEAD BOLT		6	
12	00 1951 156 0	FLYWHEEL		1	
14	00 1951 081 0	GEAR		1	
16	00 1955 831 0	PLUNGER	CPL. CRANKSHAFT ENGINE	4	
18	00 1951 358 0	PISTON RING SET		4	
22	ERS05	NO LONGER AVAILABLE		4	
23	00 1951 245 0	CIRCLIP	MOTOR	8	
24	00 1951 082 0	CONNECTING ROD		4	
27	00 1951 246 0	HEXAGON HEAD BOLT		8	
28	00 1951 083 0	BEARING SHELL		4	
30	00 1951 084 0	CONNECT.ROD BUSH.		4	
31	00 1951 085 0	LAGERSCHALE UEBERMASS		4	
33	00 1955 832 0	PLUNGER	OVERSIZE 0,25 CRANKSHAF	4	
35	00 1951 359 0	KOLBENRINGSATZ UEBERMASS		4	

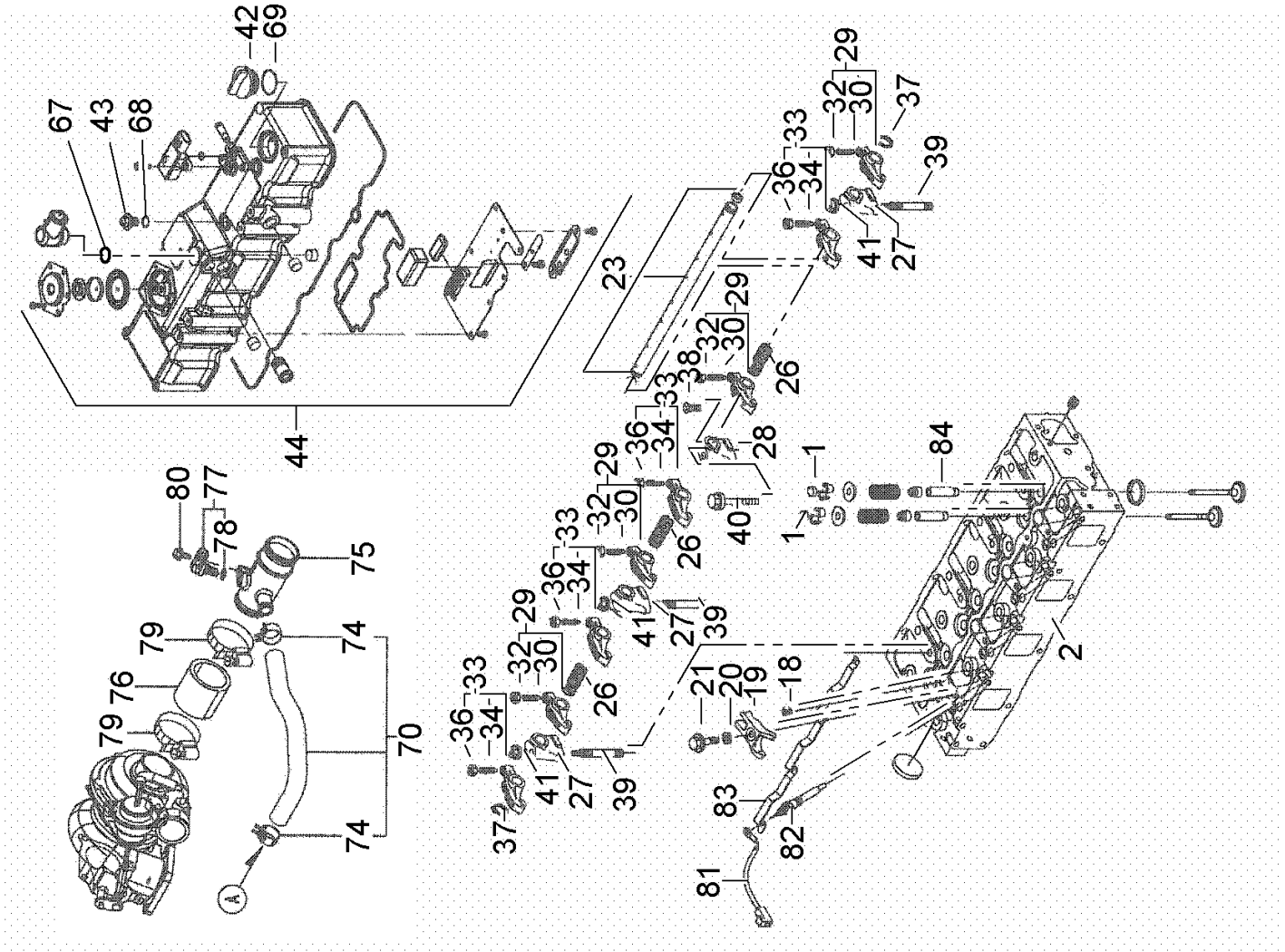
1)	machine no.	+ 0
		+ K6000201
		+ K6000202
		+ K6000203
		+ K6000204
		+ K6000205
		+ K6000206
		+ K6000207
		+ K6000208
		+ K6000209



100 CYLINDER HEAD 1)

Pos.	Part No.	Description	Dimension	Quantity	Conditions
8	00 1951 284 0	PLUG		1	
9	00 1951 219 0	PLUG		1	
10	ERS11	PART HAS NOT BEEN INSTALLED		4	
11	00 1951 108 0	OUTLET VALVE		4	
12	00 1951 285 0	VALVE SPRING		8	
13	00 1951 109 0	SUPPORT		8	
14	00 1951 286 0	GASKET		4	
15	00 1951 287 0	GASKET		4	
16	00 1951 288 0	CLAMP		8	

1)	machine no.	+ 0
		+ K6000201
		+ K6000202
		+ K6000203
		+ K6000204
		+ K6000205
		+ K6000206
		+ K6000207
		+ K6000208
		+ K6000209

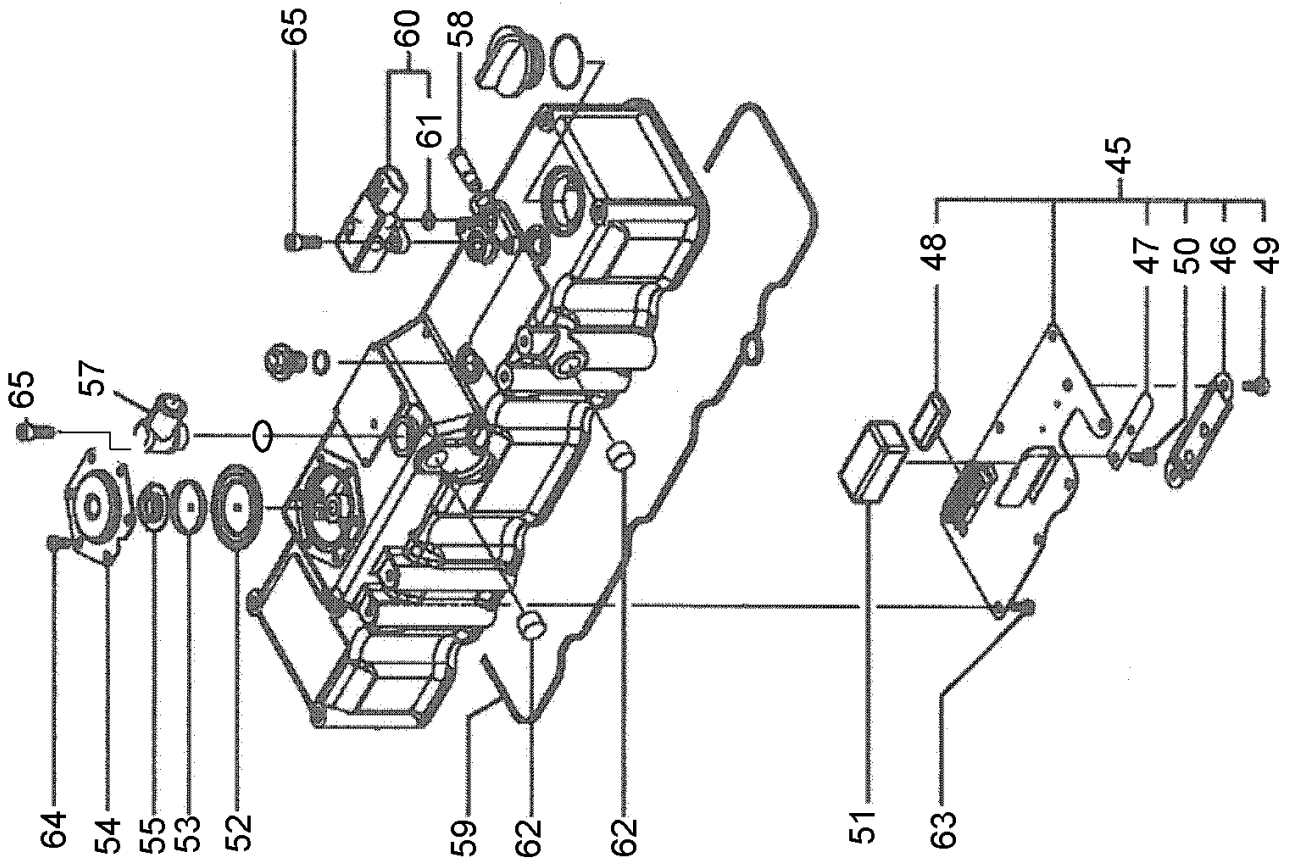


100 CYLINDER HEAD 1)

Pos.	Part No.	Description	Dimension	Quantity	Conditions
1	00 1951 283 0	VALVE CAP	DIESELMOTOR	8	
2	ERS11	PART HAS NOT BEEN INSTALLED		1	
18	00 1951 289 0	GASKET		4	
19	00 1951 290 0	COUPLER		4	
20	00 1951 291 0	WASHER		4	
21	00 1951 292 0	HEXAGON HEAD BOLT	M8 X 35	4	
23	00 1951 112 0	SHAFT		1	
26	00 1951 293 0	SPRING		3	
27	00 1951 113 0	TILT LEVER BLOCK		3	
28	00 1951 114 0	TILT LEVER BLOCK		1	
29	00 1951 115 0	TILT LEVER		4	
30	00 1951 221 0	SCREW		4	
32	00 1951 220 0	NUT		4	
33	00 1951 116 0	TILT LEVER		4	
34	00 1951 221 0	SCREW		4	
36	00 1951 220 0	NUT		4	
37	00 1951 310 0	CIRCLIP	ZYLINDERKOPF	2	
38	00 1951 311 0	SCREW	M4X16	1	
39	00 1951 312 0	THREADED BOLT	ZYLINDERKOPF	3	
40	00 1951 313 0	HEXAGON HEAD BOLT	M10X65	1	
41	00 1951 205 0	NUT		3	
42	00 1951 206 0	THREADED CAP		1	
43	00 1951 232 0	SCREW PLUG		3	
68	00 1950 039 0	O-RING	BEFUELLSTUTZEN	3	
69	00 1951 207 0	O-RING		1	
70	ERS11	PART HAS NOT BEEN INSTALLED		1	
74	00 1951 320 0	HOSE CLIP		2	
75	ERS11	PART HAS NOT BEEN INSTALLED		1	
76	ERS11	PART HAS NOT BEEN INSTALLED		1	
77	00 1951 126 0	TEMPERATURE SENSOR	ABGASKRUEMMER	1	
78	00 1951 298 0	O-RING		1	
79	ERS11	PART HAS NOT BEEN INSTALLED		2	
80	00 1951 209 0	HEXAGON HEAD BOLT	M6 X 16	1	
81	00 1950 357 0	WIRING LOOM	ZYLINDERKOPF	1	
82	00 1951 120 0	HEATER PLUG	DIESELMOTOR	4	
83	ERS05	NO LONGER AVAILABLE		1	
84	00 1951 121 0	VALVE GUIDE		8	

1) machine no.

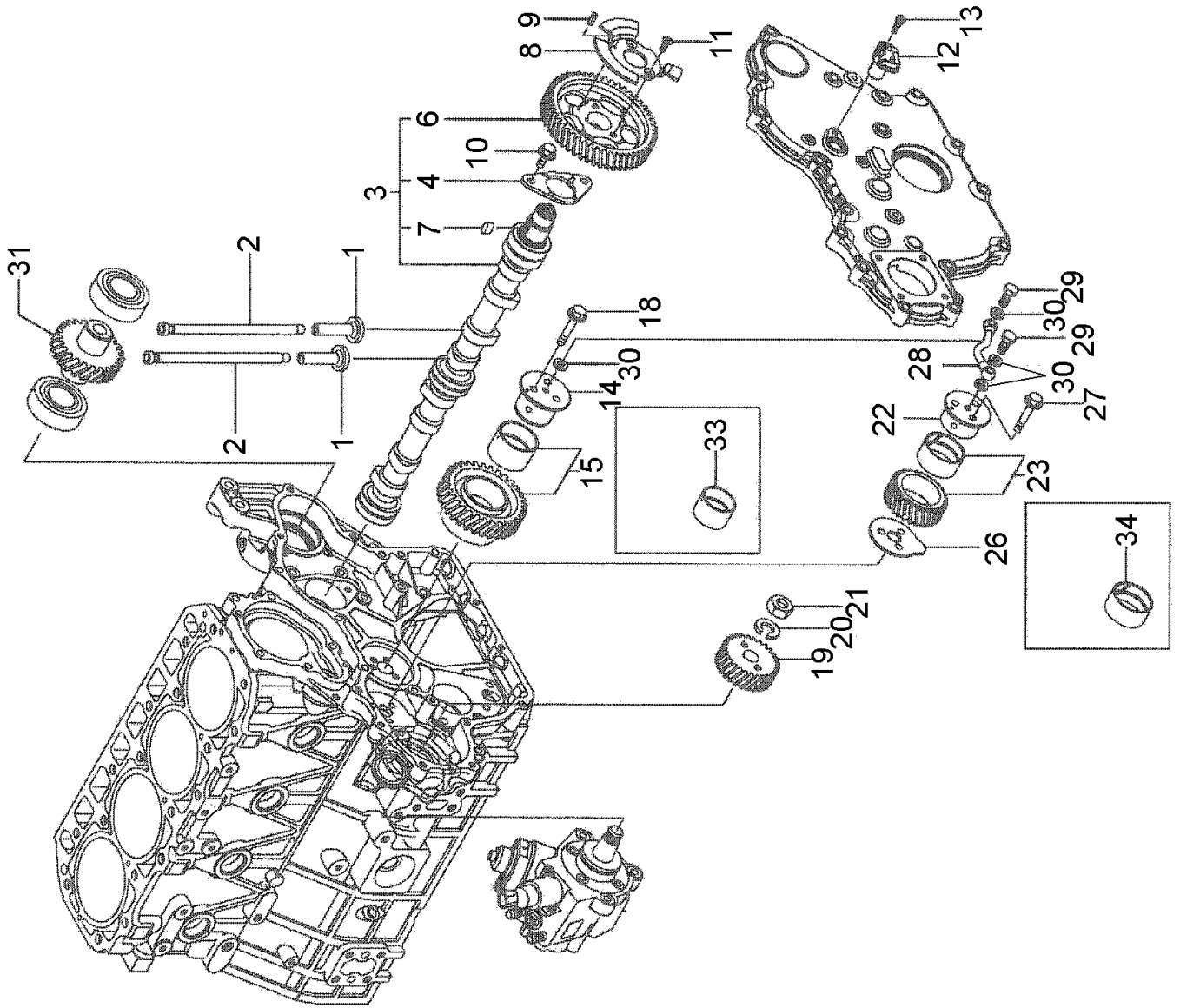
+ 0
+ K6000201
+ K6000202
+ K6000203
+ K6000204
+ K6000205
+ K6000206
+ K6000207
+ K6000208
+ K6000209



120 CYLINDER HEAD COVER 1)

Pos.	Part No.	Description	Dimension	Quantity	Conditions
45	00 1951 314 0	PLATE		1	
46	00 1951 315 0	PLATE		1	
47	00 1951 316 0	PLATE		1	
48	00 1951 223 0	DAEMMUNG		1	
49	00 1951 317 0	SOCKET HEAD SCREW	M5X8	2	
50	00 1951 318 0	SOCKET HEAD SCREW	M5X10	1	
51	00 1951 224 0	DAEMMUNG		1	
52	00 1951 225 0	MEMBRAN		1	
53	00 1951 226 0	PLATE		1	
54	00 1951 227 0	PLATE		1	
55	00 1951 228 0	SPRING		1	
58	00 1951 118 0	CONNECTOR		1	
59	00 1950 040 0	GASKET	ZYLINDERKOPF	1	
60	00 1951 119 0	PRESSURE SENSOR	VENTILDECKEL	1	
61	00 1951 297 0	O-RING		2	
62	00 1951 229 0	PLUG		2	
63	00 1951 230 0	SCREW		7	
64	00 1951 230 0	SCREW		6	
65	00 1951 282 0	ZYLINDERKOPFSCHRAUBE		2	

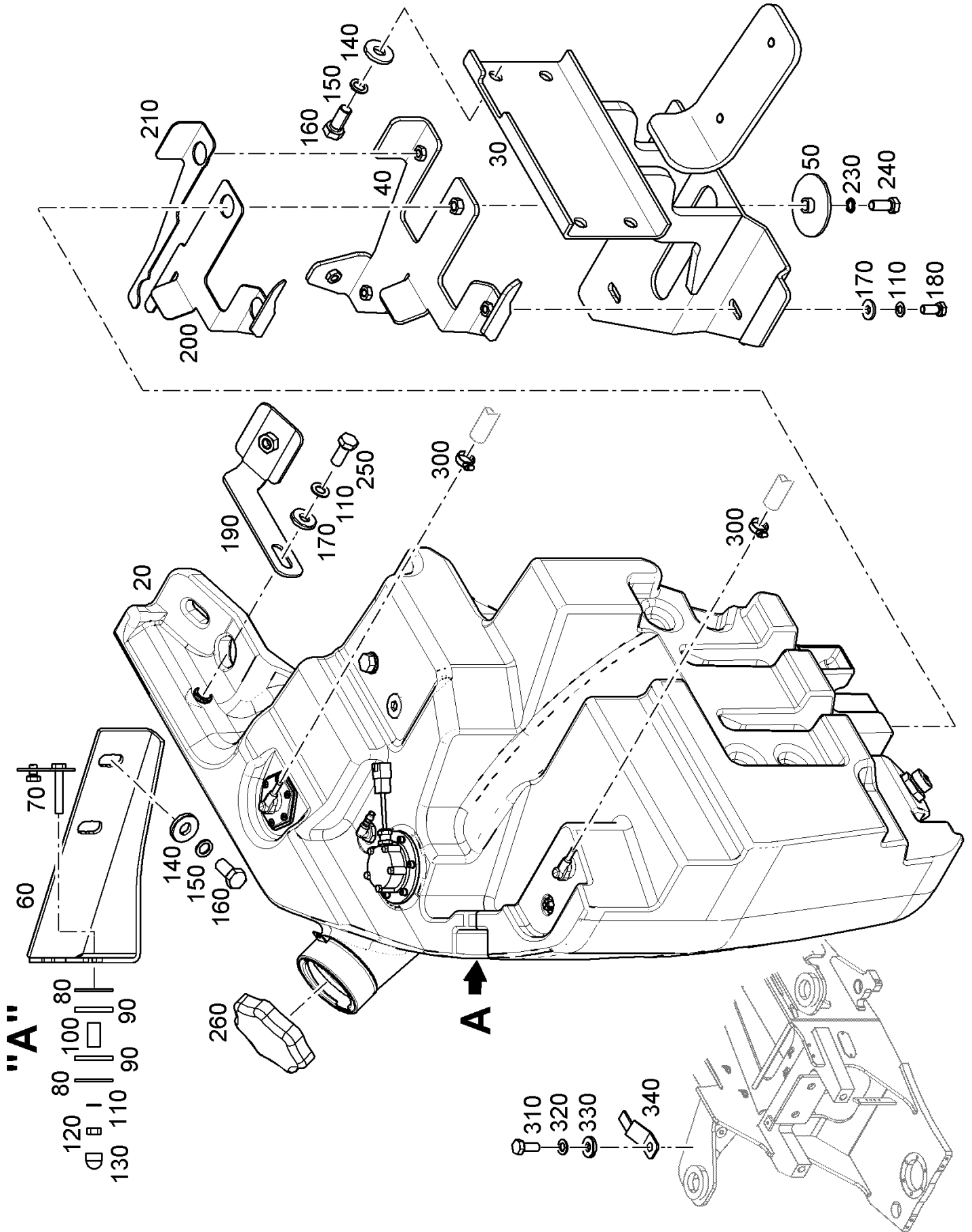
1)	machine no.	+ 0
		+ K6000201
		+ K6000202
		+ K6000203
		+ K6000204
		+ K6000205
		+ K6000206
		+ K6000207
		+ K6000208
		+ K6000209



180 CAMSHAFT, CAMSHAFT BEARING BUSHES 1)

Pos.	Part No.	Description	Dimension	Quantity	Conditions
1	00 1951 080 0	VALVE TAPPET		8	
2	00 1951 144 0	VALVE TAPPET		8	
3	00 1954 442 0	CAMSHAFT		1	
4	00 1951 236 0	GASKET		1	
6	00 1951 145 0	GEAR		1	
7	00 1951 237 0	SPRING		1	
8	00 1951 146 0	PULSER	NOCKENWELLE	1	
9	00 1951 350 0	SPRING		1	
10	00 1951 342 0	HEXAGON HEAD BOLT	M8X14	2	
11	00 1951 351 0	SCREW	M6X12	2	
12	00 1951 147 0	SENSOR	DREHZAHL NOCKENWELLE	1	
13	00 1951 282 0	ZYLINDERKOPFSCHRAUBE		1	
14	00 1951 148 0	SHAFT		1	
15	ERS11	PART HAS NOT BEEN INSTALLED		1	
18	00 1951 352 0	ZYLINDERKOPFSCHRAUBE	M8X50	3	
19	00 1951 150 0	GEAR		1	
20	00 1951 259 0	SPRING WASHER		1	
21	00 1951 260 0	NUT		1	
22	00 1951 151 0	SHAFT		1	
23	00 1951 152 0	GEAR		1	
26	00 1951 353 0	PLATE		1	
27	00 1951 204 0	HEXAGON HEAD BOLT		3	
28	00 1951 153 0	PIPE	DIESELMOTOR	1	
29	00 1951 354 0	HOLLOW SCREW		2	
30	00 1951 247 0	SEALING WASHER		4	
31	ERS11	PART HAS NOT BEEN INSTALLED		1	
33	ERS11	PART HAS NOT BEEN INSTALLED		1	
34	00 1951 355 0	BUSHING		1	

1)	machine no.	+ 0
		+ K6000201
		+ K6000202
		+ K6000203
		+ K6000204
		+ K6000205
		+ K6000206
		+ K6000207
		+ K6000208
		+ K6000209



Thank you so much for reading.
Please click the “Buy Now!”
button below to download the
complete manual.



After you pay.

You can download the most
perfect and complete manual in
the world immediately.

Our support email:

ebooklibonline@outlook.com