

Parts Manual

TH560B TELEHANDLER

S/N TBP00100 thru TBP00208

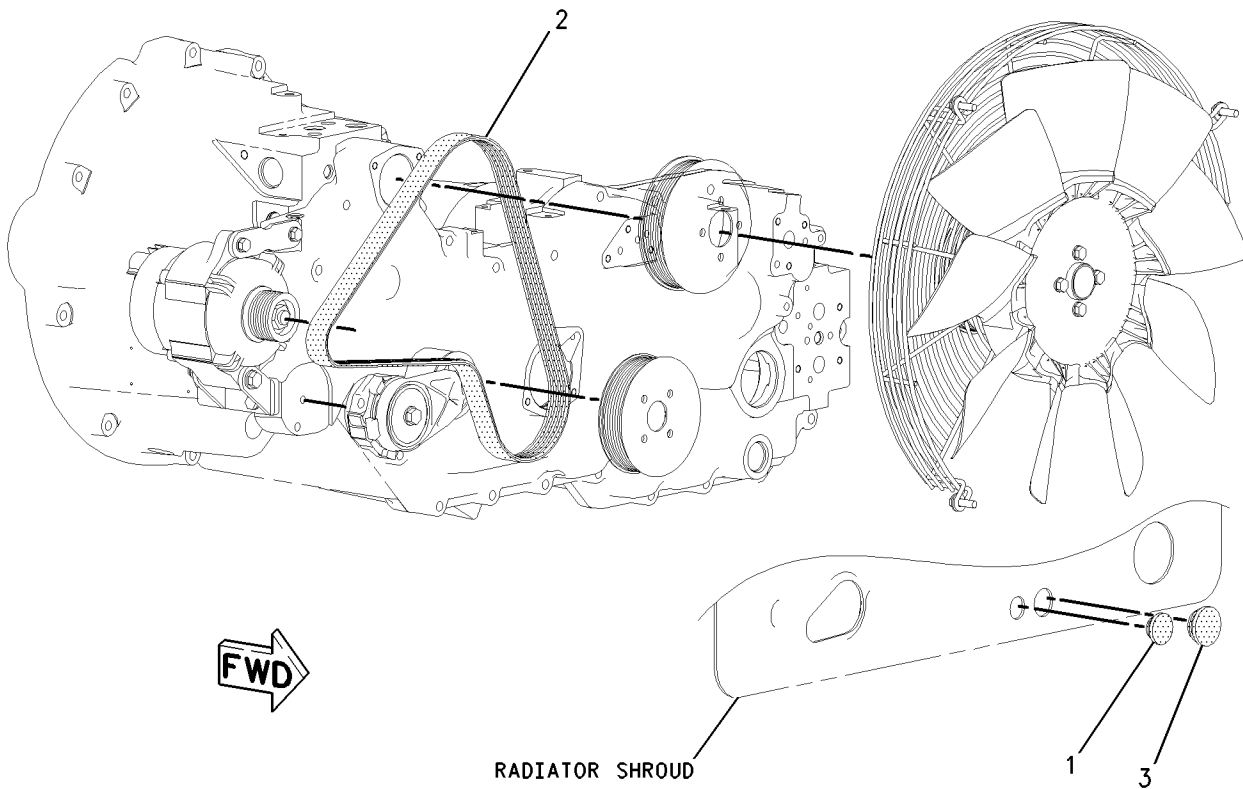


BASIC ENGINE

236-3841 BELT GP-SERPENTINE

PART OF 295-8896 ENGINE & TRANSMISSION AR
AN ATTACHMENT

NOTE	REF NO	GRAPHIC REF	PART NUMBER	QTY	PART NAME						SEE PAGE
					1	2	3	4	5	6 (PRODUCT LEVEL)	
	1	1	8P-6363	1	PLUG						
	2	1	236-3842	1	BELT-SERPENTINE						
	3	1	5P-9212	1	PLUG						



GRAPHIC #1

<END>

g00998269

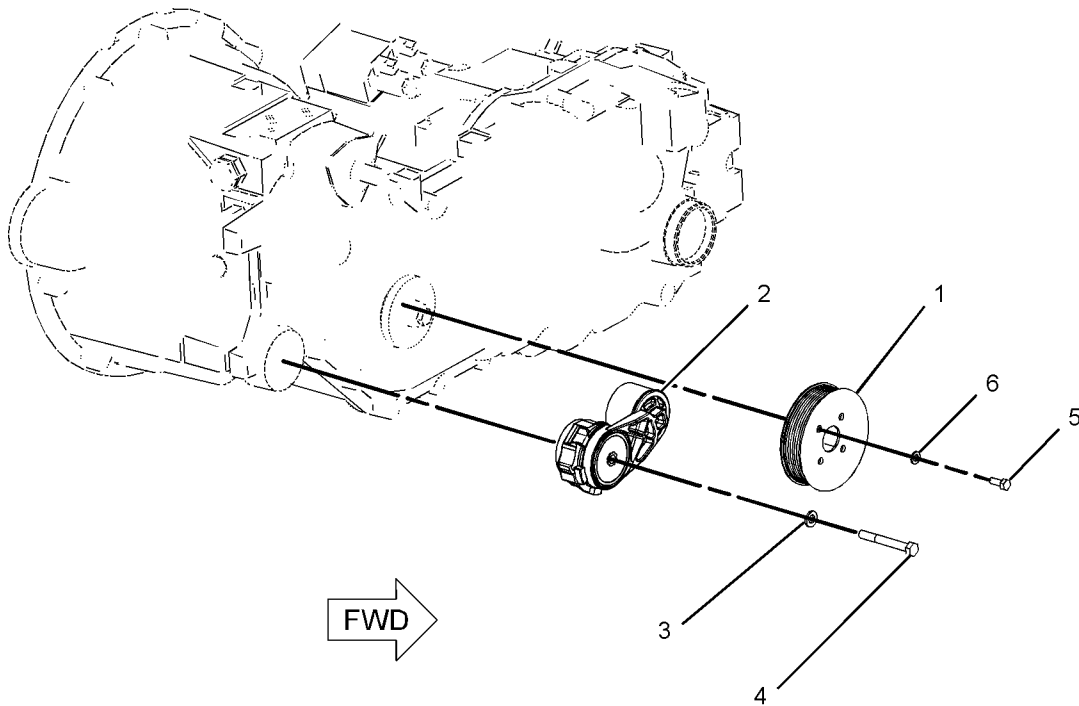
BASIC ENGINE

183-3780 BELT TENSIONER GP

PART OF 271-0945, 300-1837 INSTALLATION AR-ENGINE
AN ATTACHMENT

NOTE	REF NO	GRAPHIC REF	PART NUMBER	QTY	PART NAME						SEE PAGE
					1	2	3	4	5	6 (PRODUCT LEVEL)	
	1	1	171-6108	1	PULLEY (8-GROOVE)						
	2	1	190-0642	1	BELT TENSIONER						
	3	1	8T-4121	1	WASHER-HARD (11X21X2.5-MM THK)						
M	4	1	8T-4172	1	BOLT (M10X1.5X80-MM)						
M	5	1	8T-4189	4	BOLT (M8X1.25X20-MM)						
	6	1	8T-4224	4	WASHER-HARD (8.8X16X2-MM THK)						

M-METRIC PART



GRAPHIC #1

<END>

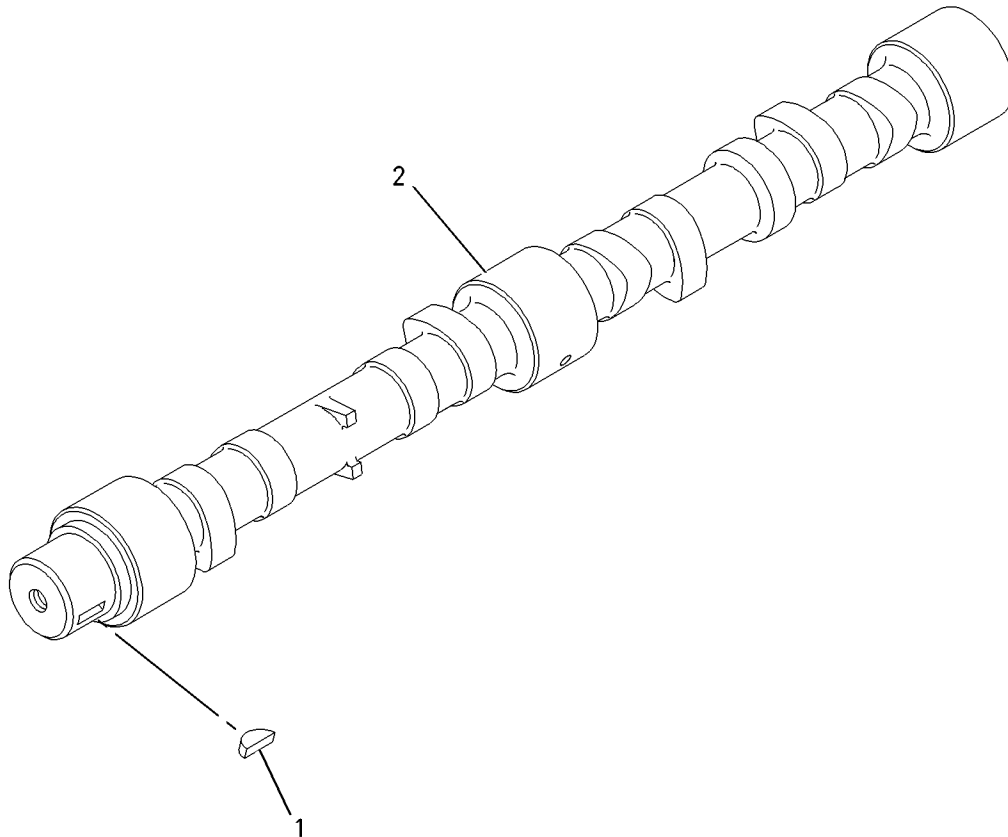
g01093655

BASIC ENGINE

234-2674 CAMSHAFT GP

PART OF 176-3180 ENGINE AR-PRIMARY
AN ATTACHMENT

NOTE	REF NO	GRAPHIC REF	PART NUMBER	QTY	PART NAME						SEE PAGE
					1	2	3	4	5	6 (PRODUCT LEVEL)	
	1	1	1B-8736	1	KEY-WOODRUFF						
	2	1	225-5967	1	CAMSHAFT						



GRAPHIC #1

<END>

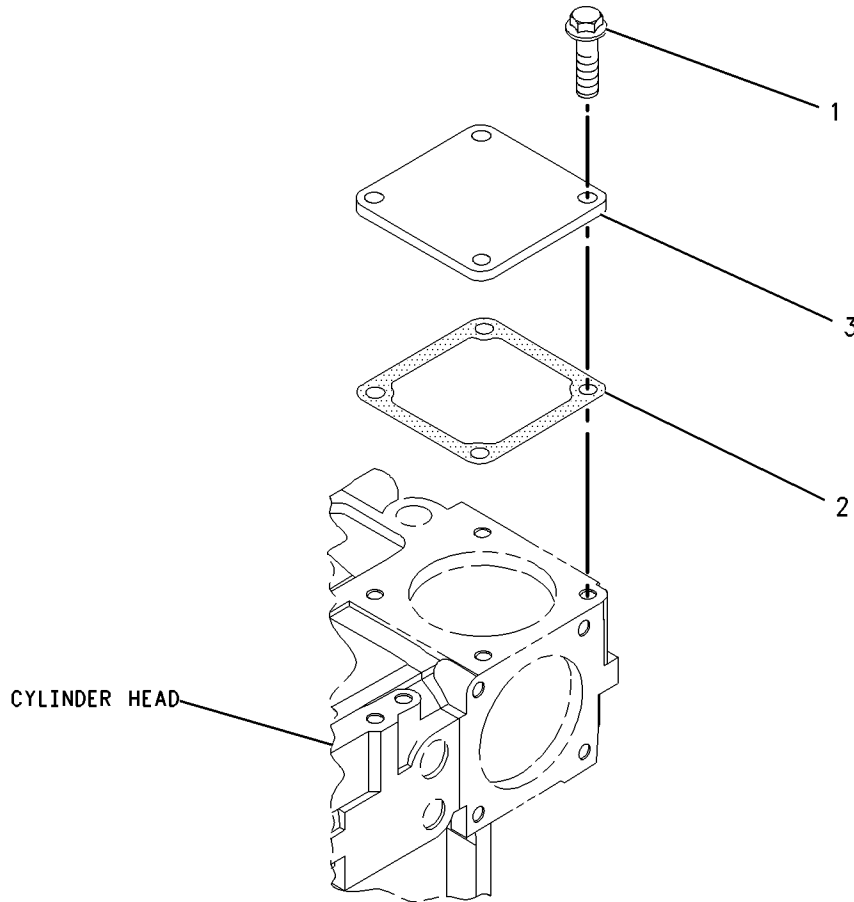
g00911297

BASIC ENGINE

231-0149 COVER GP-FRONT HOUSING

PART OF 176-3180 ENGINE AR-PRIMARY
AN ATTACHMENT

NOTE	REF NO	GRAPHIC REF	PART NUMBER	QTY	PART NAME						SEE PAGE
					1	2	3	4	5	6 (PRODUCT LEVEL)	
	1	1	61-0572	12	BOLT (M8X1.25.20MM)						
	2	1	114-2579	3	GASKET						
	3	1	115-1162	3	PLATE						



GRAPHIC #1

<END>

g00986215

Thank you so much for reading.
Please click the “Buy Now!”
button below to download the
complete manual.



After you pay.

You can download the most
perfect and complete manual in
the world immediately.

Our support email:

ebooklibonline@outlook.com