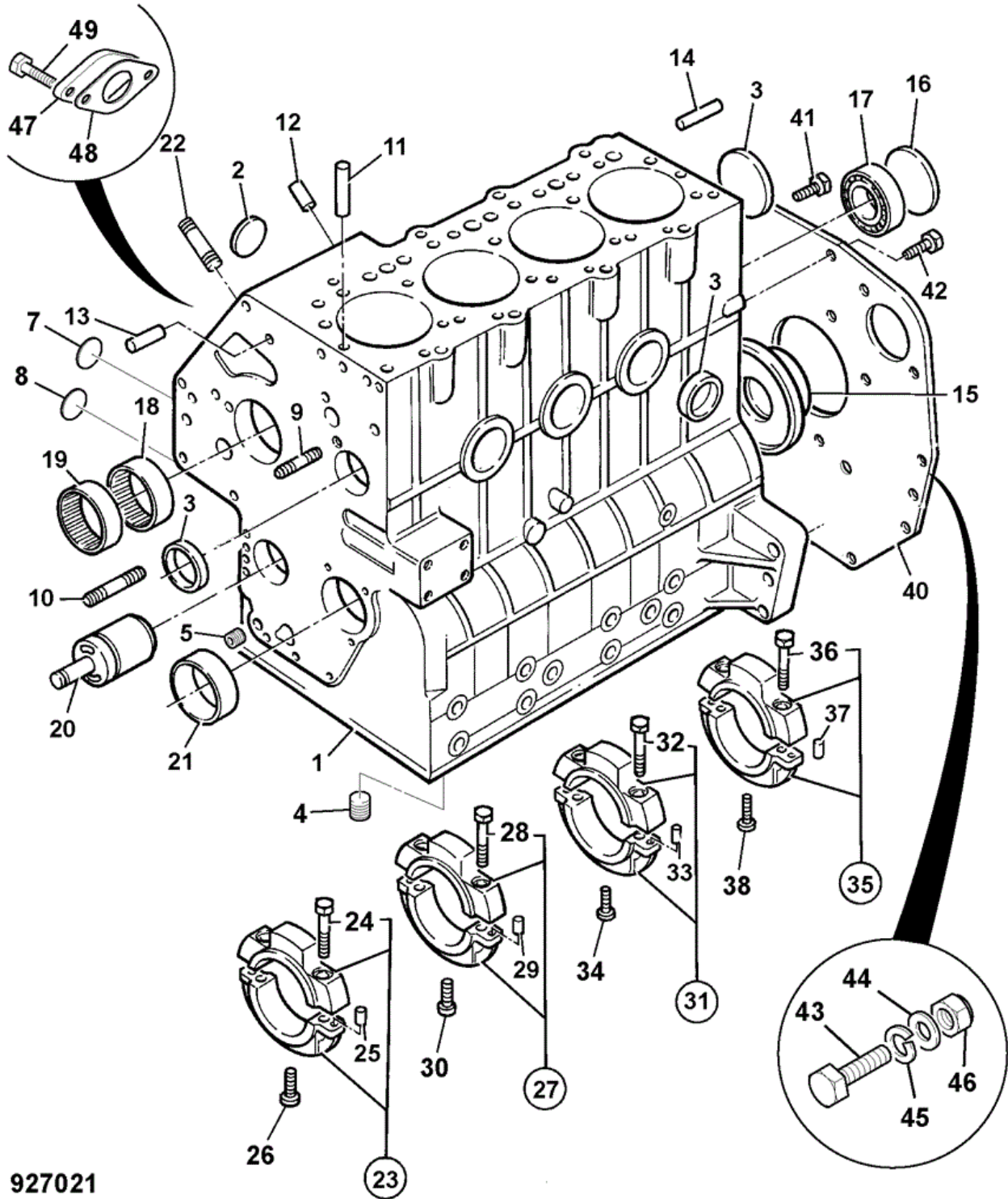


JCB 9802/4570 N1-3-1 BLOCK ASSEMBLY

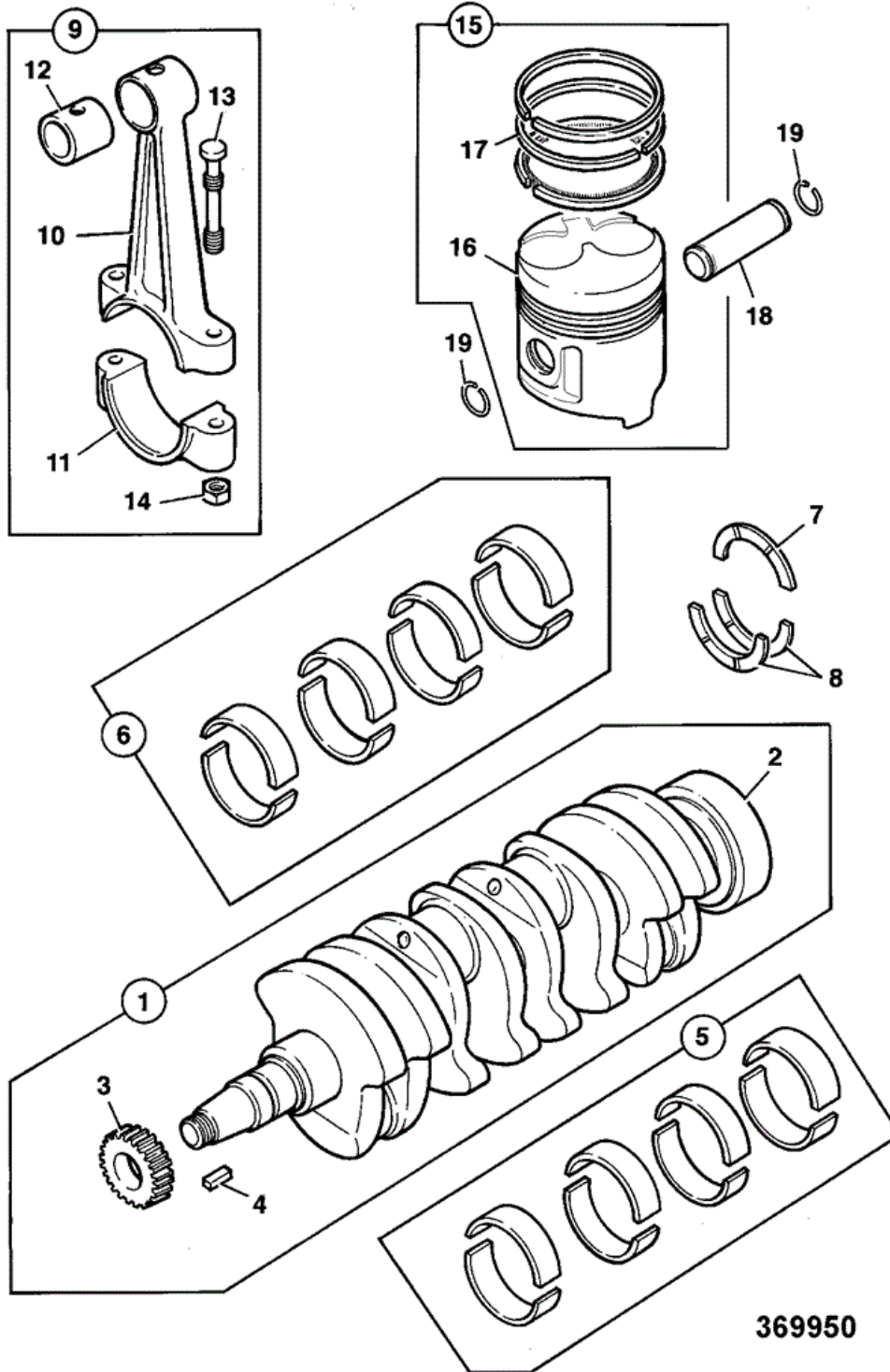


927021

Item	Part #	Change No	Description	Usage Code	QTY
1	****		None serviced part		1
2	02/634206		Plug core D=25mm		2

3	02/634207	Plug core D=40mm	5
4	02/634202	Plug D=6.5mm	3
5	02/630702	Plug 10.4mm	2
7	02/630456	Plug D=40mm	4
8	02/630007	Plug 8.4mm	3
9	826/10720	Stud	1
10	02/630022	Stud	1
11	02/630019	Pin	2
12	02/630024	Dowel	2
13	02/630017	Dowel	2
14	02/630018	Dowel	2
15	02/634013	Seal rear oil	1
16	02/630014	Plug core D=45mm	1
17	02/630013	Bearing	1
18	02/634002	Bearing needle	1
19	02/634001	Bearing needle	1
20	02/634768	Shaft .	1
20	332/G1855	Shaft kit oil pump idler <i>Contains idler gear plus oil pump assembly kit including the shaft.</i>	1
21	02/634203	Bush	1
21	02/634709	Bush -0.25mm undersize	1
21	02/634710	Bush -0.5mm undersize	1
22	826/10719	Stud	3
23	02/634004	Cap bearing assembly	1
26	826/10744	Screw	1
25	:02/630024	Dowel	2
24	:02/634005	Screw	2
27	02/634007	Cap bearing assembly	1
30	826/10744	Screw	1
29	:02/630024	Dowel	2
28	:02/634005	Screw	2
31	02/634008	Cap bearing assembly	1
34	826/10744	Screw	1
33	:02/630024	Dowel	2
32	:02/634005	Screw	2
35	02/634009	Cap bearing assembly	1
38	826/10745	Screw	2
37	:02/630024	Dowel	2
36	:02/634005	Screw	2
40	02/634010	Plate	1
41	826/10731	Screw	2
42	02/634112	Screw	10
43	02/634674	Bolt	2
44	02/634059	Nut	2
45	02/630108	Washer	2
46	02/630134	Washer spring	2
47	02/634650	Plate Blanking	1
48	02/634094	Gasket	1
49	02/630102	Screw	2

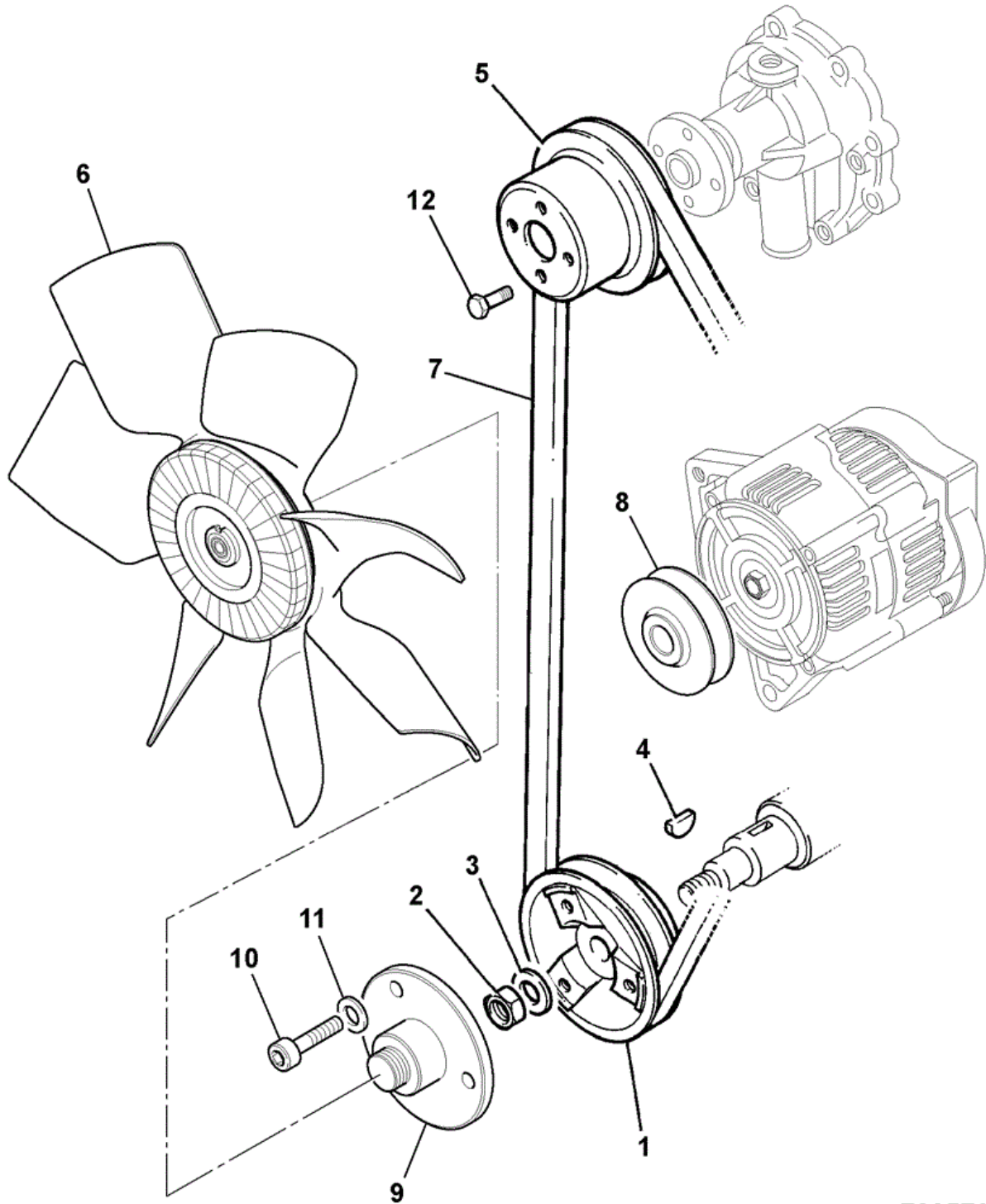
JCB 9802/4570 N1-4-1 CRANKSHAFT, BEARINGS PISTONS &
 CON-RODS



Item	Part #	Change No	Description	Usage Code	QTY
1	02/634729		Crankshaft Assembly		1

2	****		None serviced part	1
3	:02/634730		Gear .	1
4	:02/630042		Key	1
5	02/634781		Kit Main Bearing Std.	1
5	02/634782		Kit Main Bearing -0.25mm	1
6	02/634783		Kit Big End Bearing	1
7	02/634021		Washer thrust	1
8	02/630723		Washer thrust	2
9	02/634022		Conrod assembly	4
10	****		None serviced part	1
11	****		None serviced part	1
12	:02/630725		Bush small end	1
13	:02/630726		Screw	2
14	:02/630727		Nut	2
15	02/634135		Piston assembly	4
16	****		None serviced part	1
17	:02/634136		Kit-piston ring	1
18	02/630731		Pin gudgeon	1
19	02/630732		Circlip	2

JCB 9802/4570 N1-5-1 FAN, PULLEYS & BELT

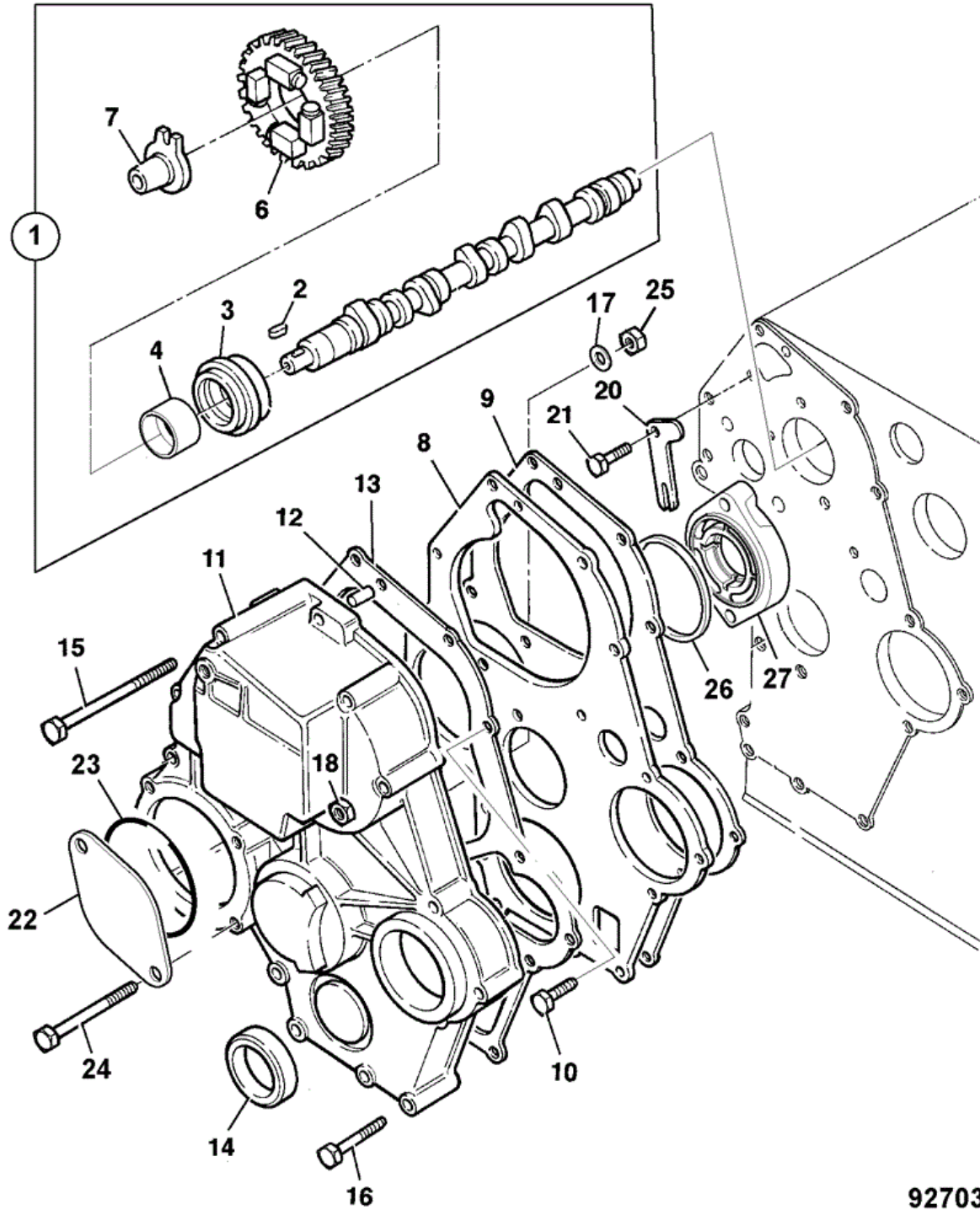


788570

Item	Part #	Change No	Description	Usage Code	QTY
1	02/634731		Pulley Crankshaft		1
2	02/630778		Nut		1

3	N/A		Not applicable not available	1
4	02/630068		Key	1
5	02/630835		Pulley water pump	1
6	30/925942		Fan 14" Pusher	1
7	02/634154		Belt fan L=1010mm	1
8	02/202438		Pulley alternator D=73mm single groove	1
9	02/634075		Plate	1
10	02/634076		Screw	4
11	N/A		Not applicable not available	1

JCB 9802/4570 N1-6-1 TIMING CASE,CAMSHAFT & GEARS

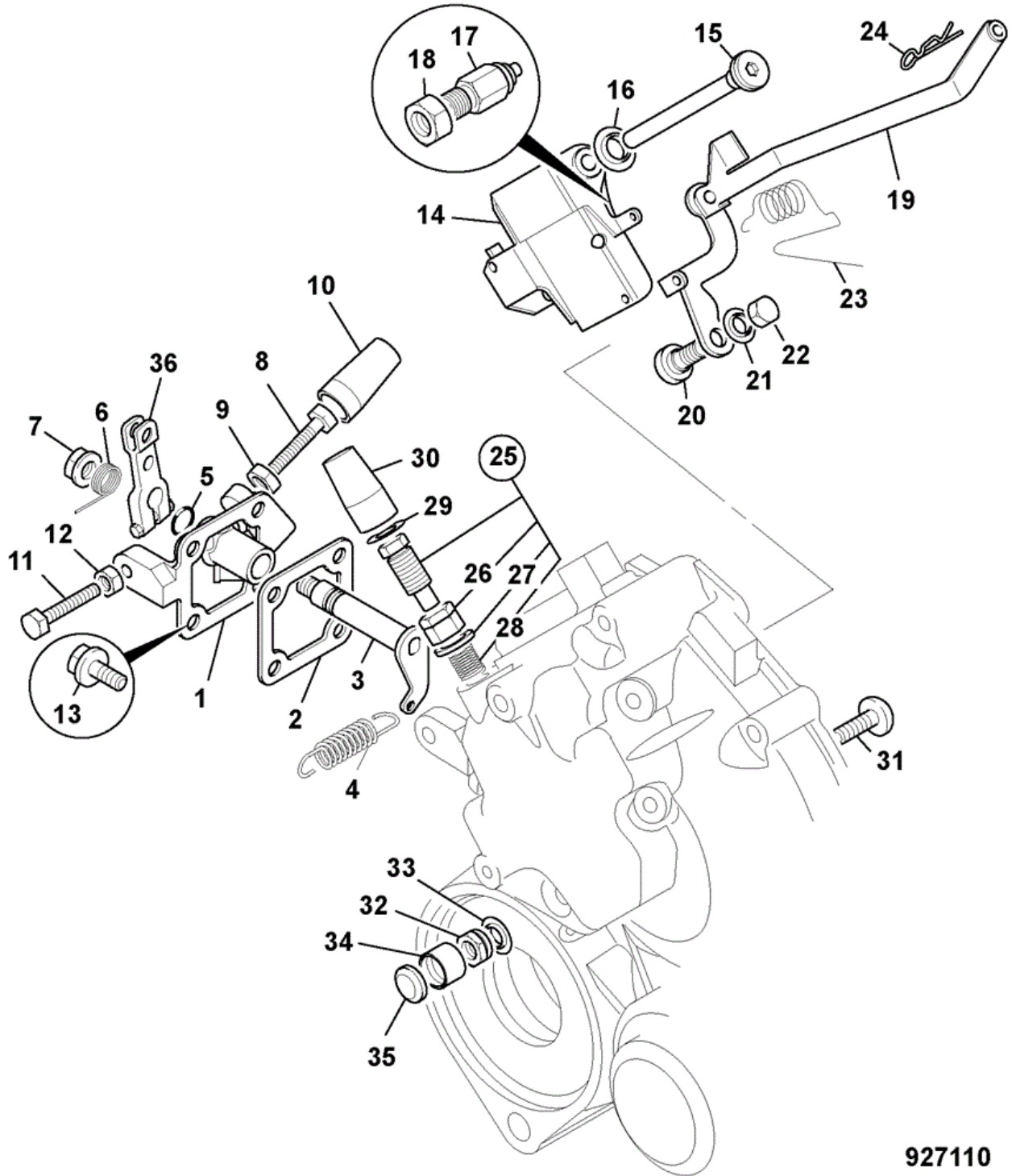


927030

Item	Part #	Change No	Description	Usage Code	QTY
1	02/634790		Cover Timing Cover		1
2	:02/630068		Key		1

3	:02/634032		Bearing	1
4	:02/634210		Spacer	1
6	:02/634732		Gear Camshaft	1
6-1	:02/634733		Camshaft Assembly	1
7	:02/634740		Tappet .	1
8	02/634765		Plate .	1
9	02/634162		Gasket t/case to block	1
10	02/630102		Screw	1
11	02/634790		Cover Timing Cover	1
12	02/630089		Pin	1
13	02/634769		Gasket Timing Case	1
14	02/630763		Seal front oil	1
15	826/10729		Screw	4
16	826/10777		Screw	7
17	02/630134		Washer spring	2
18	02/630096		Nut	1
20	02/634087		Plate	1
21	02/630102		Screw	1
22	02/634766		Cover .	2
23	02/634722		Seal O-Ring	2
24	02/634713		Bolt .	2
25	02/634719		Nut .	2
26	02/634722		Seal O-Ring	1
27	02/634725		Housing Bearing	1
40	02/634779		Cap Oil Filler Timing Case <i>Not Shown</i>	1
41	02/634721		Seal O-Ring	1

JCB 9802/4570 N1-6-2 TIMING LEVERS ARMS & SPRINGS

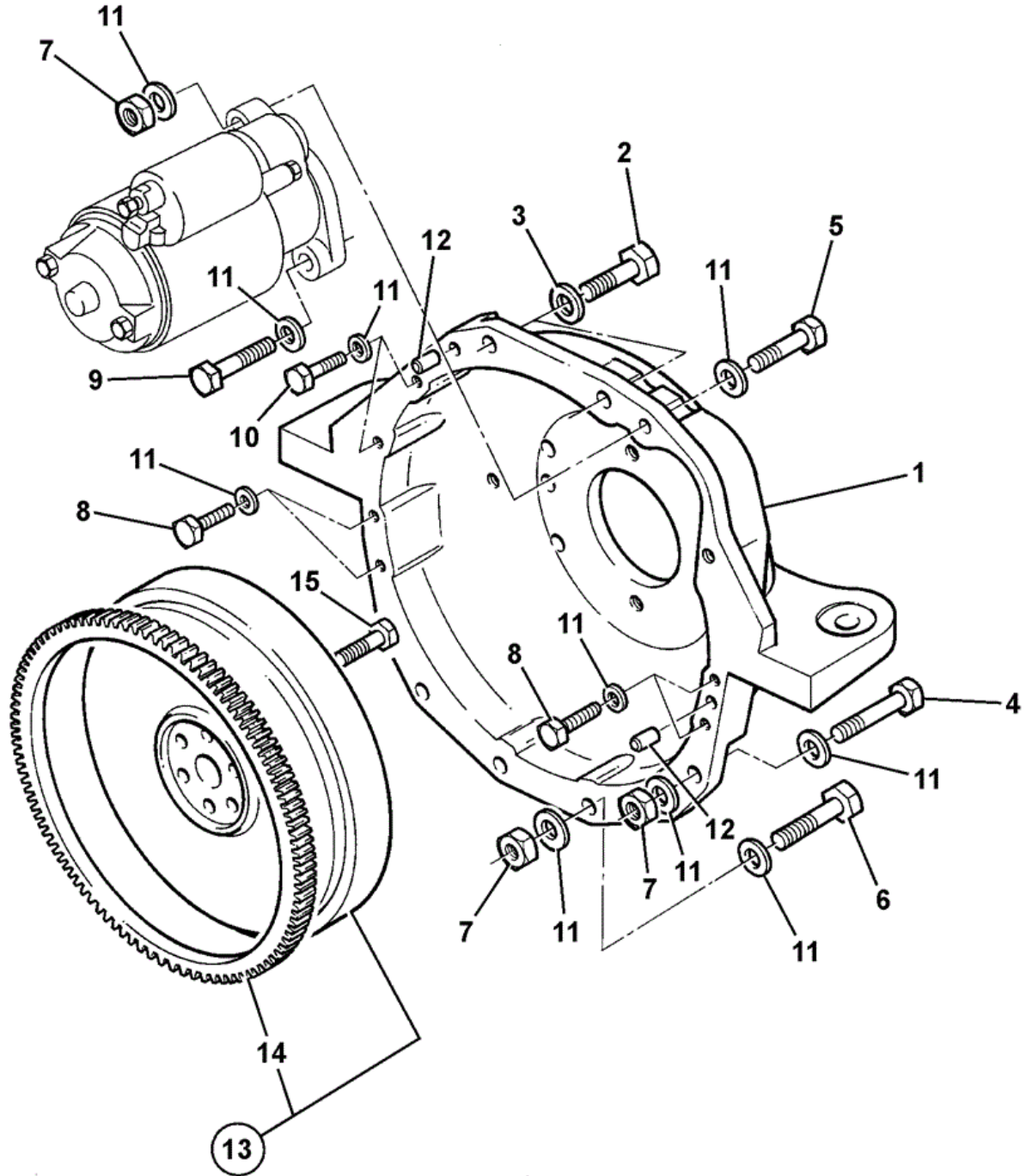


927110

Item	Part #	Change No	Description	Usage Code	QTY
1	02/634743		Bracket .		1
2	02/634770		Gasket .		1

3	02/634739		Lever Arm	1
4	02/634773		Spring .	1
5	02/630114		O Ring	1
6	02/634771		Spring .	1
7	02/630078		Nut	1
8	826/10742		Screw	1
9	826/10743		Nut	1
10	02/634166		Cap anti-tamper	1
11	826/10742		Screw	1
12	1370/0101Z		Nut (M6)	1
13	02/630071		Screw	4
14	02/634736		Bracket Lever Arm	1
15	02/634738		Shaft .	1
16	02/630808		Washer	1
17	02/634746		Sensor Speed	1
18	02/634717		Nut .	1
19	02/634741		Lever Arm	1
20	02/634737		Pivot Pin Bolt	1
21	02/630266		Washer	1
22	02/634720		Nut .	1
23	02/634774		Spring .	1
24	02/630111		Pin	1
25	02/634747		Screw Assembly	1
26	:826/10738		Nut	1
27	:02/630308		Washer	1
28	:02/634775		Spring .	1
29	02/634776		Ring .	1
30	02/634159		Cap anti-tamper	1
31	02/634749		Bolt .	1
32	02/634716		Nut .	1
33	02/630266		Washer	1
34	02/634760		Cap Anti Tamper	1
35	02/634723		Cap .	1
36	02/634742		Lever .	1

JCB 9802/4570 N1-7-1 FLYWHEEL & HOUSING



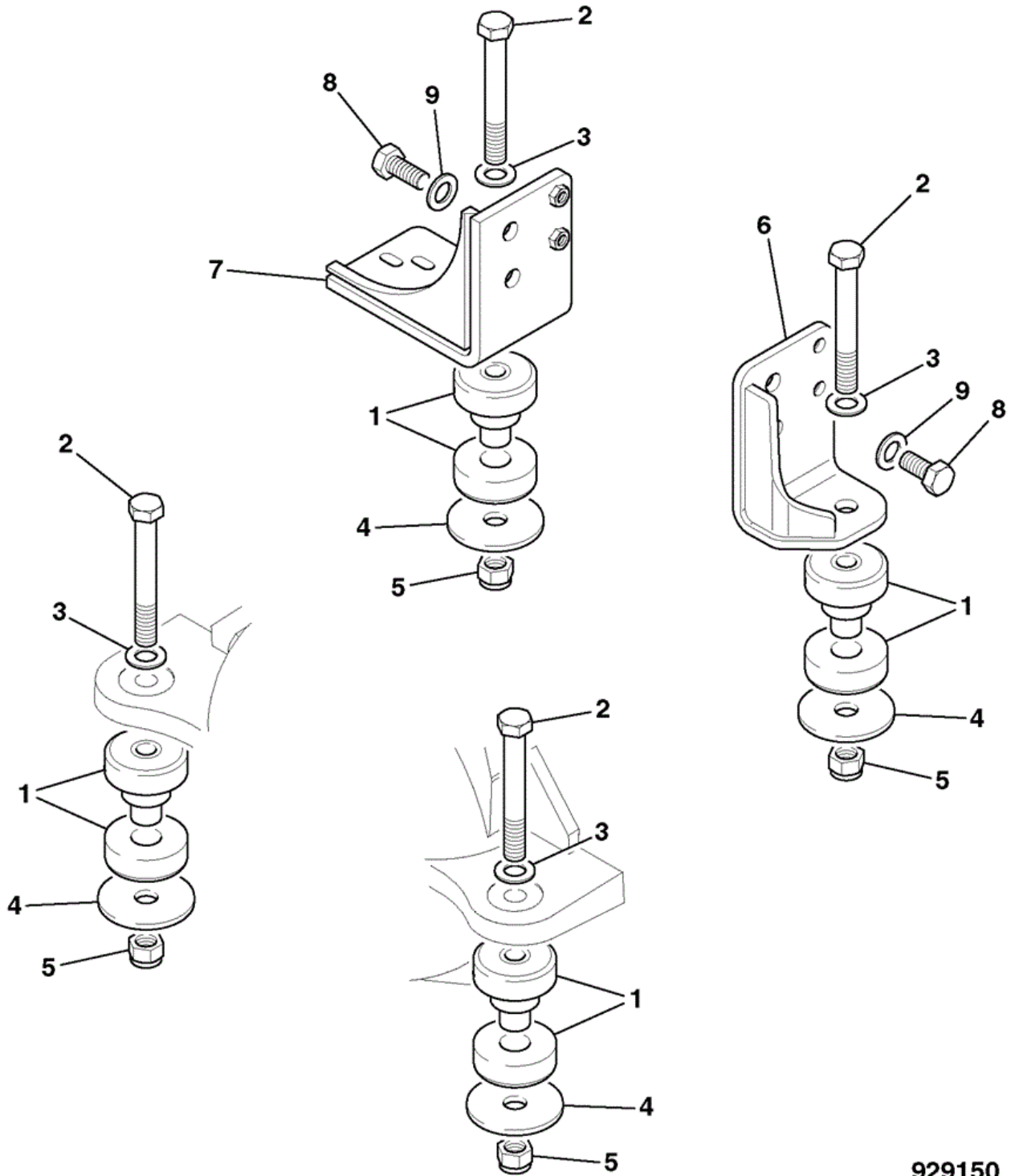
929120

Item	Part #	Change No	Description	Usage Code	QTY
1	242/00082		Housing flywheel		1
2	1315/0509D		Screw M12x35mm		2

3	1420/0009D		Washer (M12)	2
4	1315/3415D		Bolt M10x65	2
5	1315/3411D		Bolt M10 x 45 mm Long	1
6	1315/0408D		Setscrew M10 x 30	4
7	1370/0303D		Nut Self Lock M10	7
8	1315/3412D		Bolt M10 x 50	4
9	1315/0409D		Setscrew M10 x 35mm	1
10	1315/0407D		Setscrew M10 x 25	2
11	1420/0008D		Washer (M10)	21
12	02/630018		Dowel	1
13	02/634048		Flywheel assembly	1
14	:02/634049		Gear flywheel ring	1
15	02/630775		Bolt	6
99	****		'See Remark' <i>COPIED FROM TIER 2</i>	1



9802/4570 N1-8-1 ENGINE MOUNTINGS

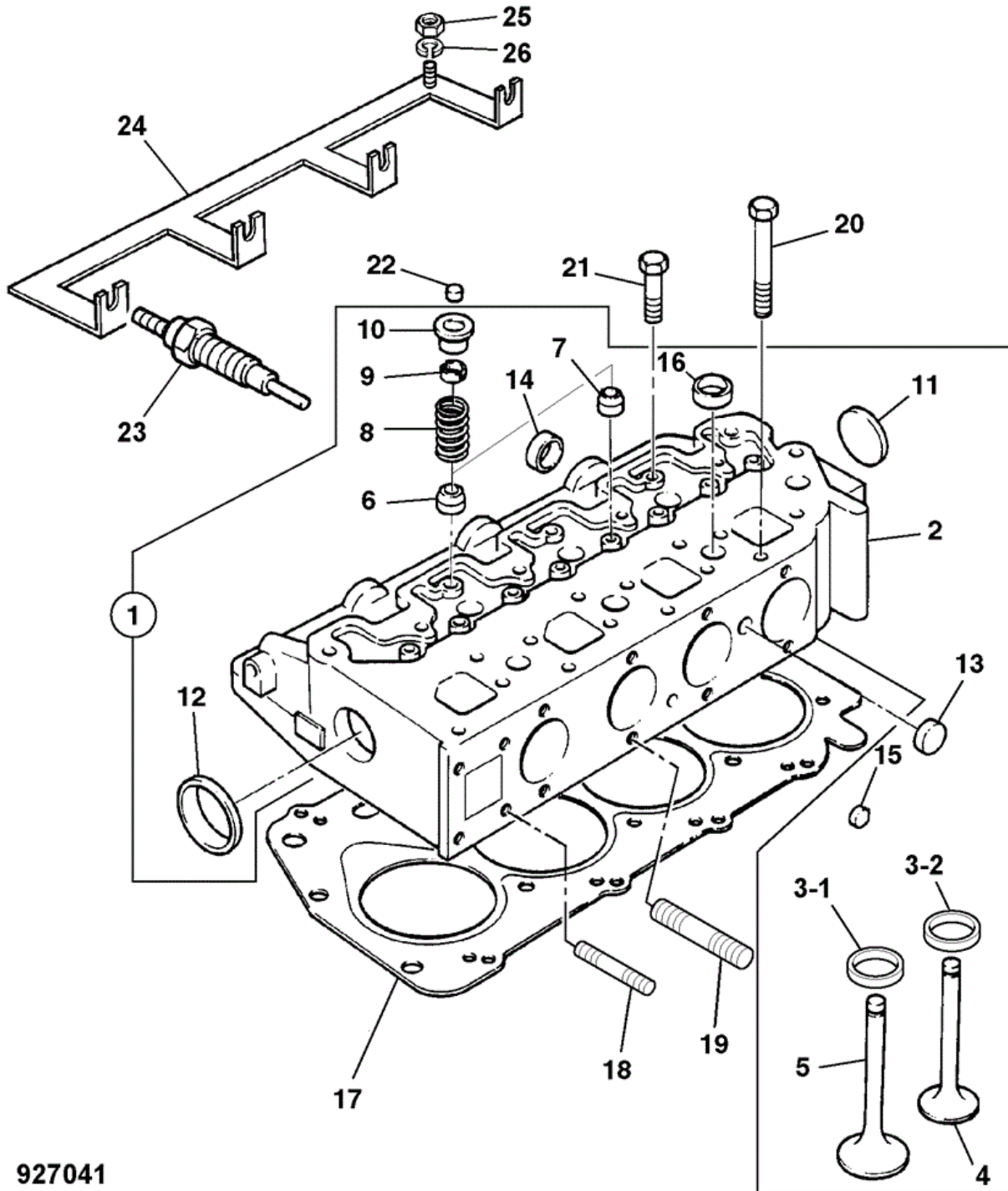


929150

Item	Part #	Change No	Description	Usage Code	QTY
1	242/00392		Mount Engine		4
2	1315/3722D		Bolt		4

3	823/00352		Washer	4
4	120/16902		Plate Rebound	4
5	1370/0603D		Nut -Lock Nut, M16	4
6	335/11898		Bracket engine mounting left hand	1
7	335/11886		Bracket engine mounting right hand	1
8	826/01288		Bolt M14 x 30	3
8A	332/T3738		Capscrew M14 x1.5 x 30mm fine	1
9	1420/0010D		Washer M14	4

JCB 9802/4570 N2-1-1 CYLINDER HEAD



927041

Item	Part #	Change No	Description	Usage Code	QTY
1	02/634866		Cylinder Head Assy.		1
2	****		None serviced part		1

3	:02/634693		Seat valve insert	4
3	:02/631335		Seat valve insert	4
4	:02/634735		Valve Exhaust	4
5	:02/634734		Valve Intake	4
6	:02/630147		Seal exhaust valve	4
7	:02/630142		Seal inlet valve	4
8	:02/630143		Spring valve	8
9	:02/630145		Collet	16
10	:02/630144		Cap	8
11	:02/630149		Plug D=30mm	3
12	:02/630149		Plug D=30mm	3
13	:02/634206		Plug core D=25mm	3
14	:02/634206		Plug core D=25mm	3
15	:02/631320		Plug D=10mm	3
16	:02/630933		Plug D=18mm	7
17	02/634727		Gasket Cylinder Head 1.2mm	0
17	02/634728		Gasket Cylinder Head 1.3mm	1
18	02/634715		Stud .	2
19	02/634083		Stud	2
20	02/630741		Screw	14
21	02/630856		Screw	4
22	02/630151		Cap	8
23	717/11700		Thermostart	4
24	02/634085		Rail heater connector	1
25	02/630758		Nut	1
26	02/630759		Washer	1

Thank you so much for reading.
Please click the “Buy Now!”
button below to download the
complete manual.



After you pay.

You can download the most
perfect and complete manual in
the world immediately.

Our support email:

ebooklibonline@outlook.com