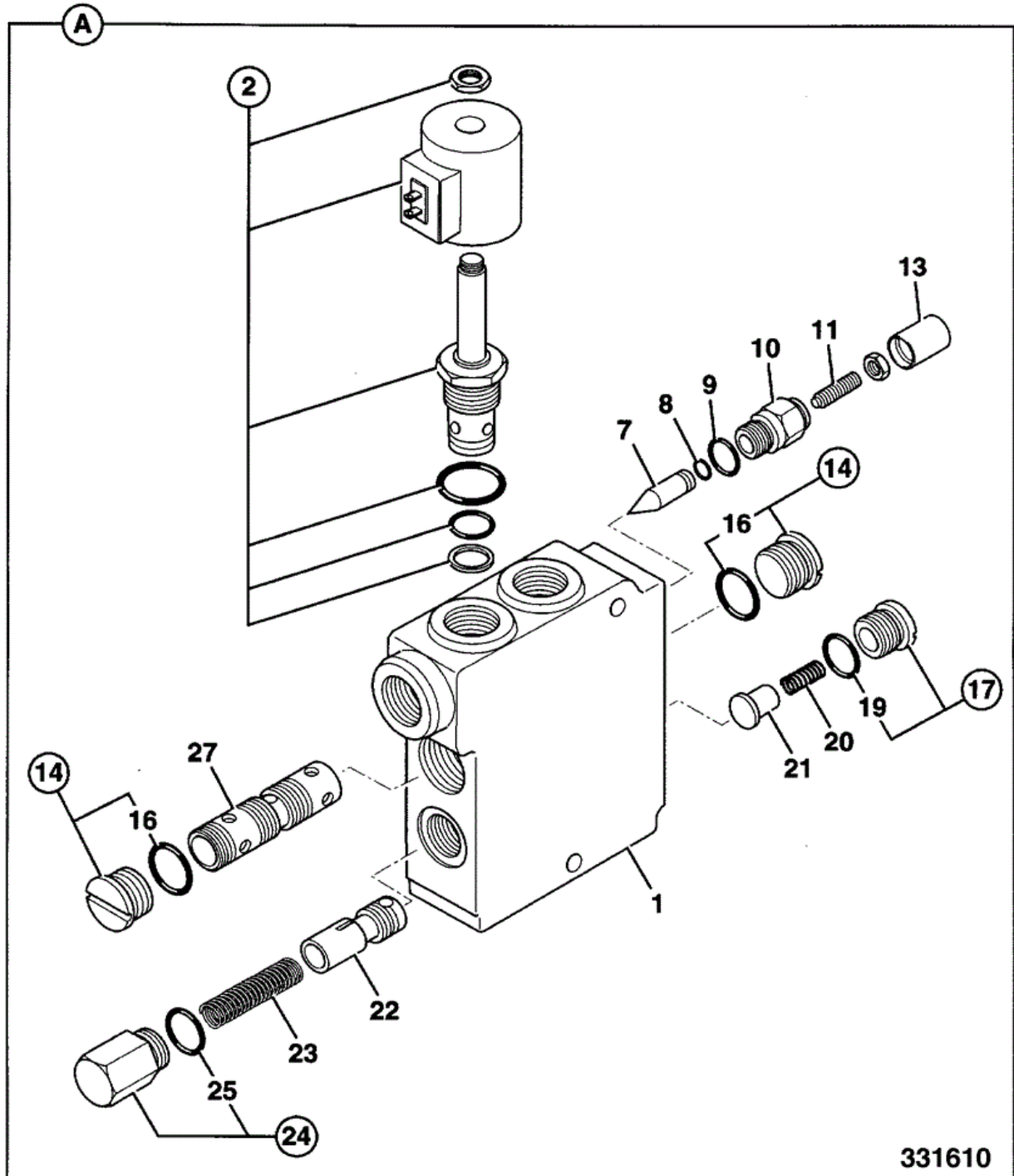


JCB 9812/2500 E3-6-1 VALVE SELF LEVEL COMPONENTS

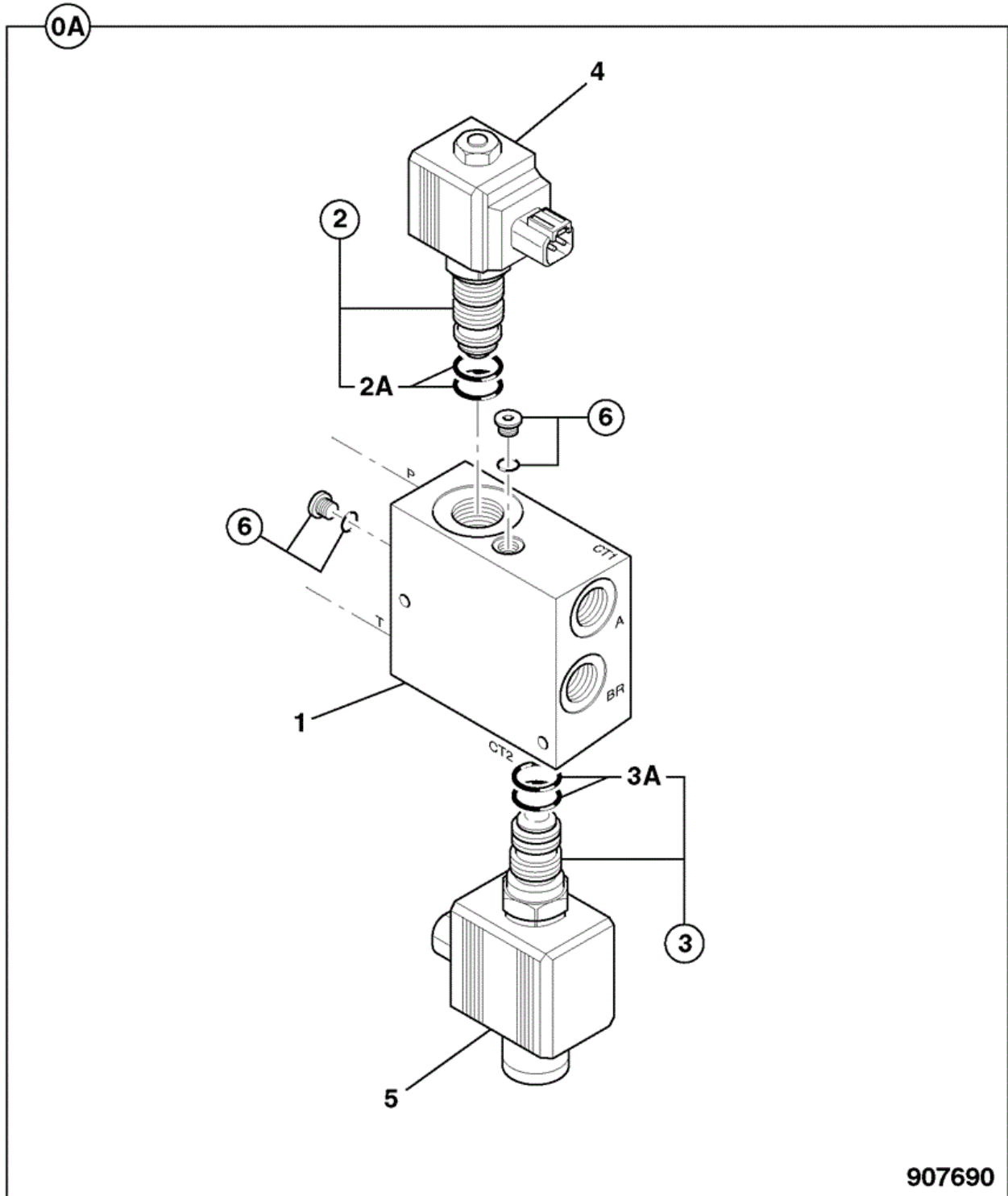


Item	Part #	Change No	Description	Usage Code	QTY
A	25/220854		Valve self level		1
1	****		None serviced part		1
			'See Remark'		

2	****		<i>see 2A, 2B, & 2C</i>	1
2A	::903/20359		Cartridge	1
2B	::903/20360		Coil Deutsch connector	1
2C	::903/20361		Kit seal kit solenoid	1
7	:25/214401		Pin	1
8	:25/220870		O Ring	1
9	:25/220871		O Ring	1
10	:25/214402		Cap adjustment	1
11	:25/214403		Screw	1
12	:25/214404		Nut	1
13	:25/220872		Cover	1
14	:25/214405		Plug assembly	1
16	::25/220873		O Ring	1
17	:25/214406		Plug assembly	1
19	::25/220875		O Ring <i>See seal kit</i>	1
20	:25/214407		Spring	1
21	:25/214408		Plunger	1
22	****		None serviced part	1
23	:25/214409		Spring	1
24	:25/214410		Plug assembly	1
25	::25/220874		O Ring	1
27	****		None serviced part	1
28	:903/20177		Kit seal <i>Seal/repair kit</i>	1



9812/2500 E3-8-1 VALVE, SOLENOID BRAKE

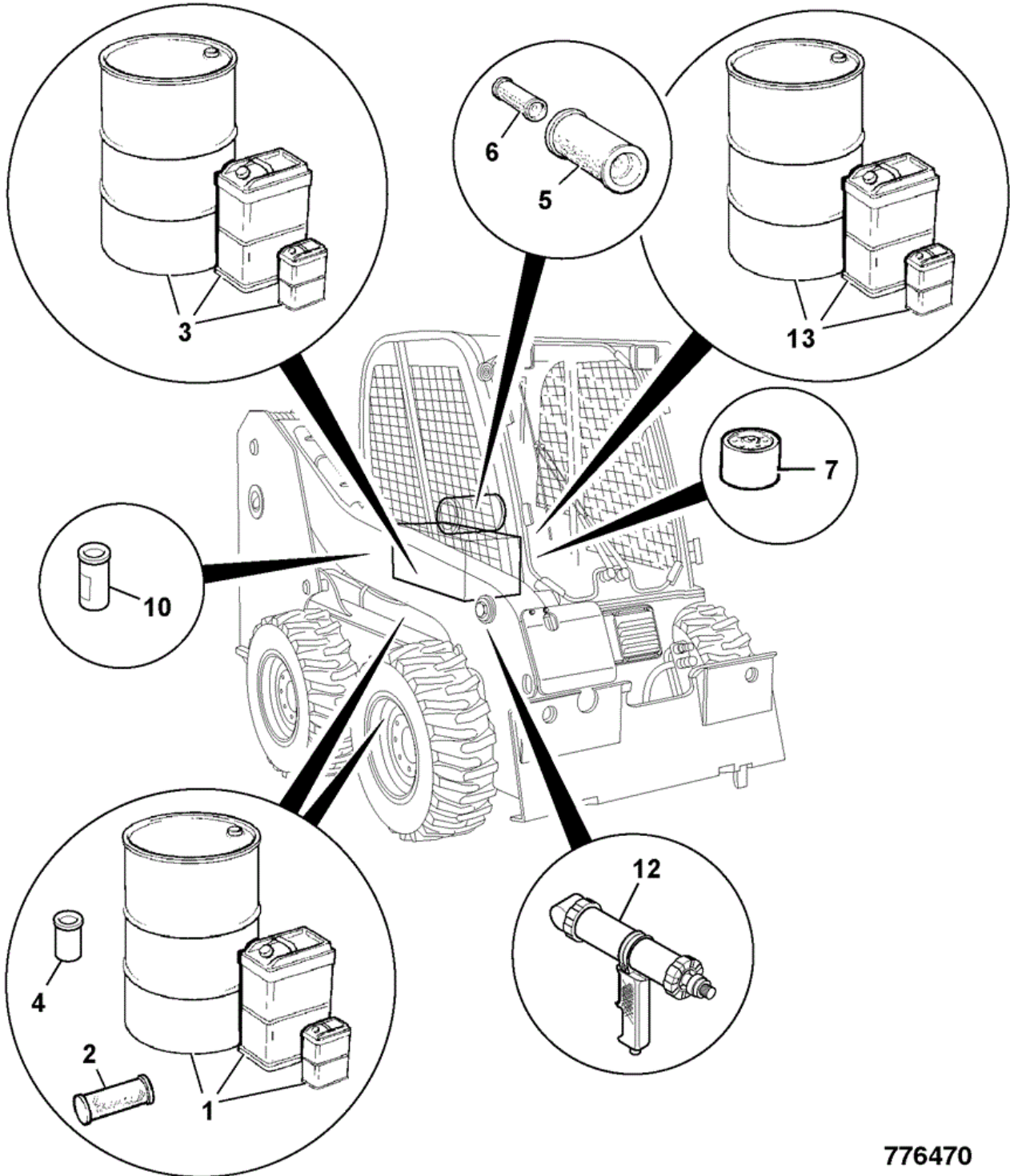


Item	Part #	Change No	Description	Usage Code	QTY
A	928/60349		Valve combination dump/brake		1
1	****		None serviced part <i>Body</i>		1

2	:25/220555		Cartridge valve excl. coil <i>CT1</i>	1
2A	::25/220533		Kit seal	1
3	:332/C2277		Valve pressure reducing <i>CT2</i>	1
3A	::25/222909		Kit seal	1
4	:717/20262		Coil 12v Deutsch <i>Use with item 2</i>	1
5	:25/221850		Coil 12V Deutsch connector <i>Use with item 3</i>	1
6	:32/925310		Kit-plug & o'ring	2



9812/2500 E3-9-1 LUBRICANTS & FILTERS



776470

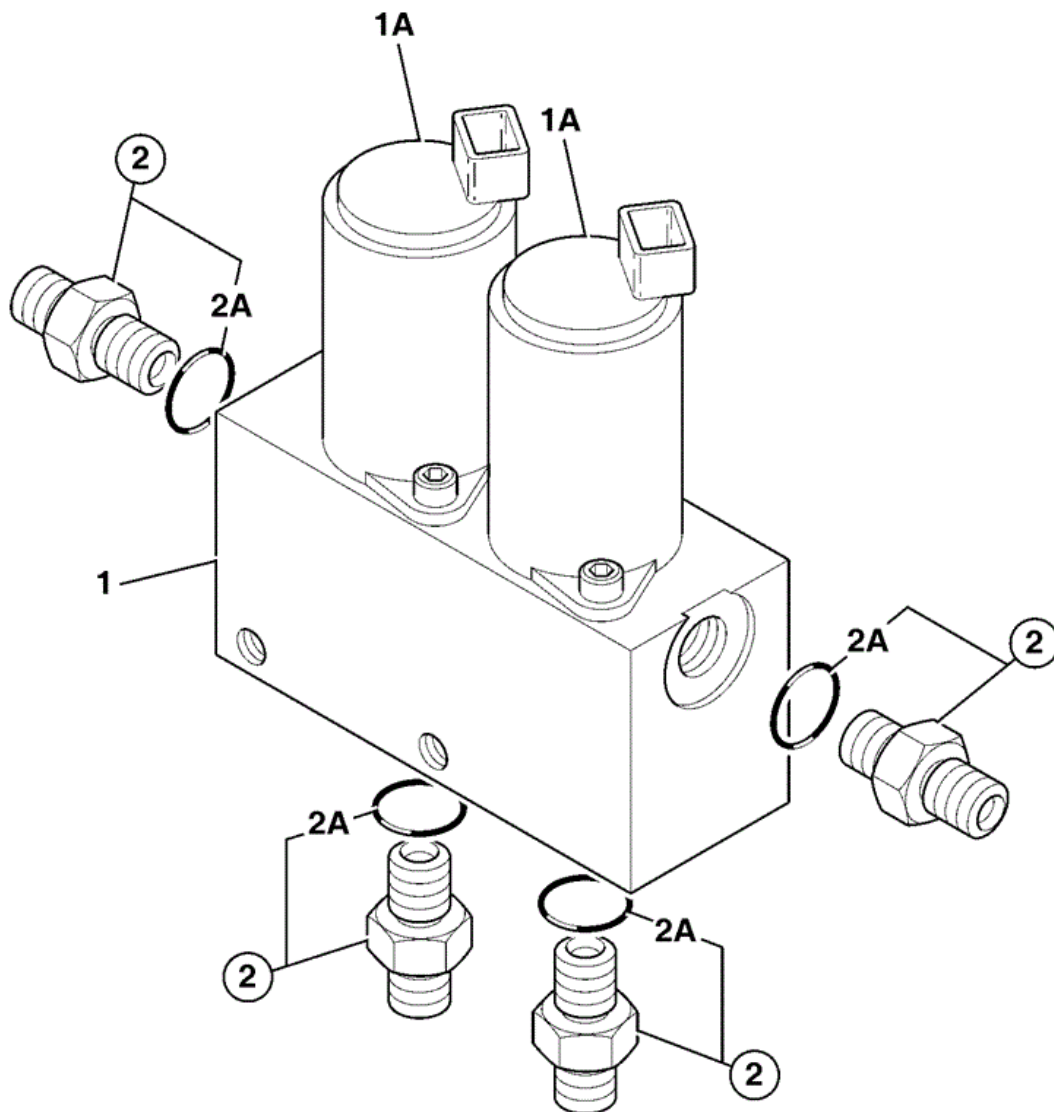
Item	Part #	Change No	Description	Usage Code	QTY
1	4001/1701		Oil JCB 10W/30 5 litres <i>See Note 1</i>		0
1	4001/1702		Oil JCB 10W/30 25 litres		0

1	4001/1703		Oil JCB 10W/30 200 litres	0
1	4001/1501		Oil 15W/40, 5 litres <i>Small quantity Top Up only</i>	0
2	32/912500		Strainer suction	1
3	4001/1801		Oil EP Engine Oil 15W40, 5 Litres	0
3	4001/1802		Oil EP Engine oil 15W40, 25 Litres	0
3	4001/1803		Oil EP Engine oil 15W40, 200 Litres	0
4	581/18020		Element 5 micron Hydraulic <i>Charge circuit</i>	1
4	32/910601		Element oil filter transmission 22 microns <i>Return line</i>	1
5	32/915801	<22/02/07	Element Air, Safety	1
5	32/915701		Element main air filter	1
6	32/915802	<22/02/07	Element Air, Main	1
6	32/915702		Element safety air filter	1
7	320/07155		Filter fuel 5 micron	1
10	320/04133		Filter engine oil	1
12	4003/1501		Grease Cartridge	0
12	4003/1506		Grease E.P. 12.5kg <i>12.5 kg</i>	0
13	4006/1101		Fluid antifreeze 5 litre HD4X	0
13	4006/1120		Fluid antifreeze 20 litre HD4X	0
13	4006/1103		Fluid antifreeze 200 litre HD4X	0

Note 1: Hydraulic system application



9812/2500 E3-12-1 VALVE EHP

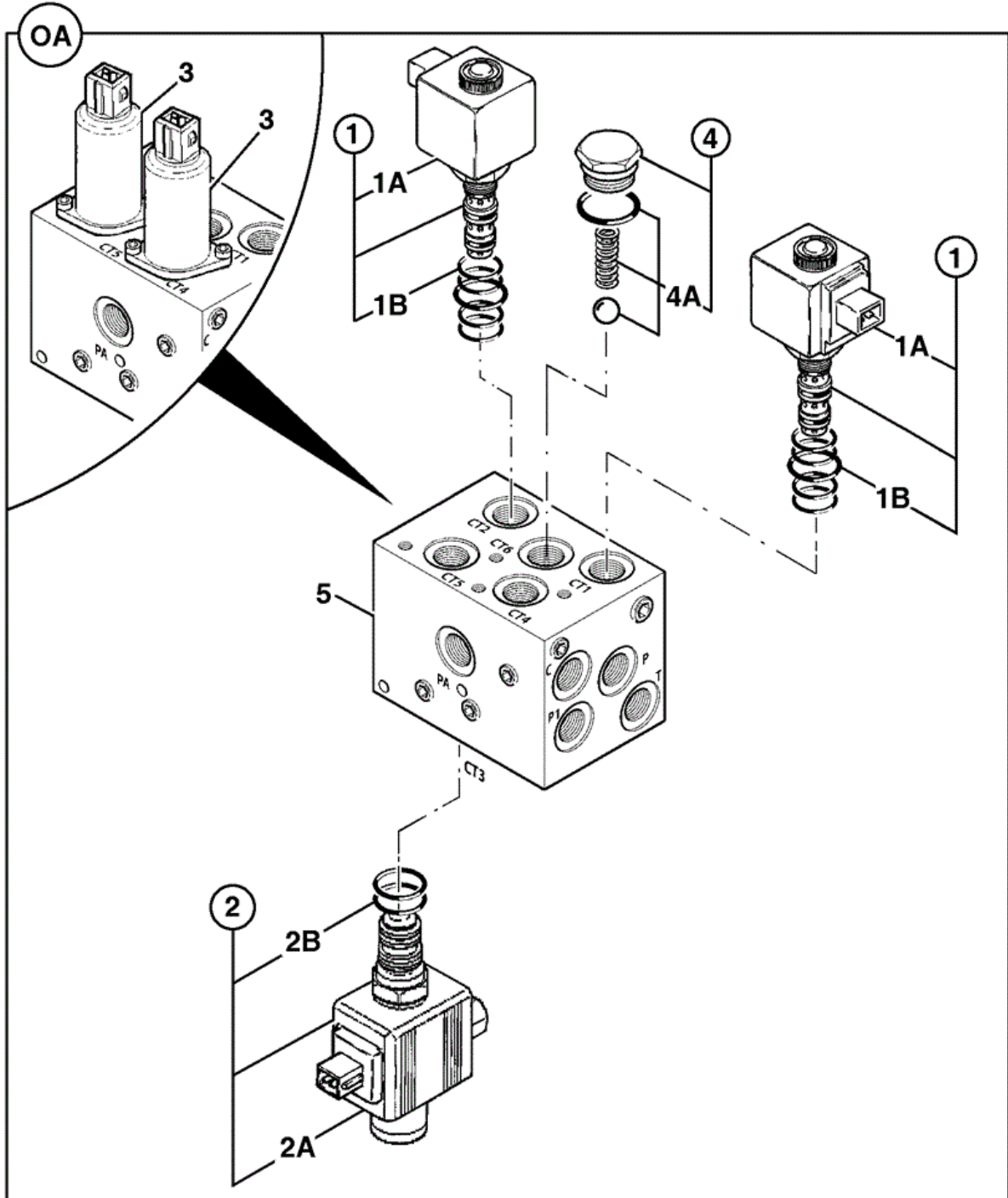


914110

Item	Part #	Change No	Description	Usage Code	QTY
1	25/223084		Valve assembly EHP		1
1A	:25/221974		Solenoid cartridge valve assy <i>Coil not available as a separate part</i>		2

2	1620/2050		Adaptor 1/4BSP x 7/16SAE		4
2A	:2401/0503		O Ring		1

JCB 9812/2500 E3-12-10 VALVE COMBINATION EHP,BRAKE
DUMP AND CUT OFF

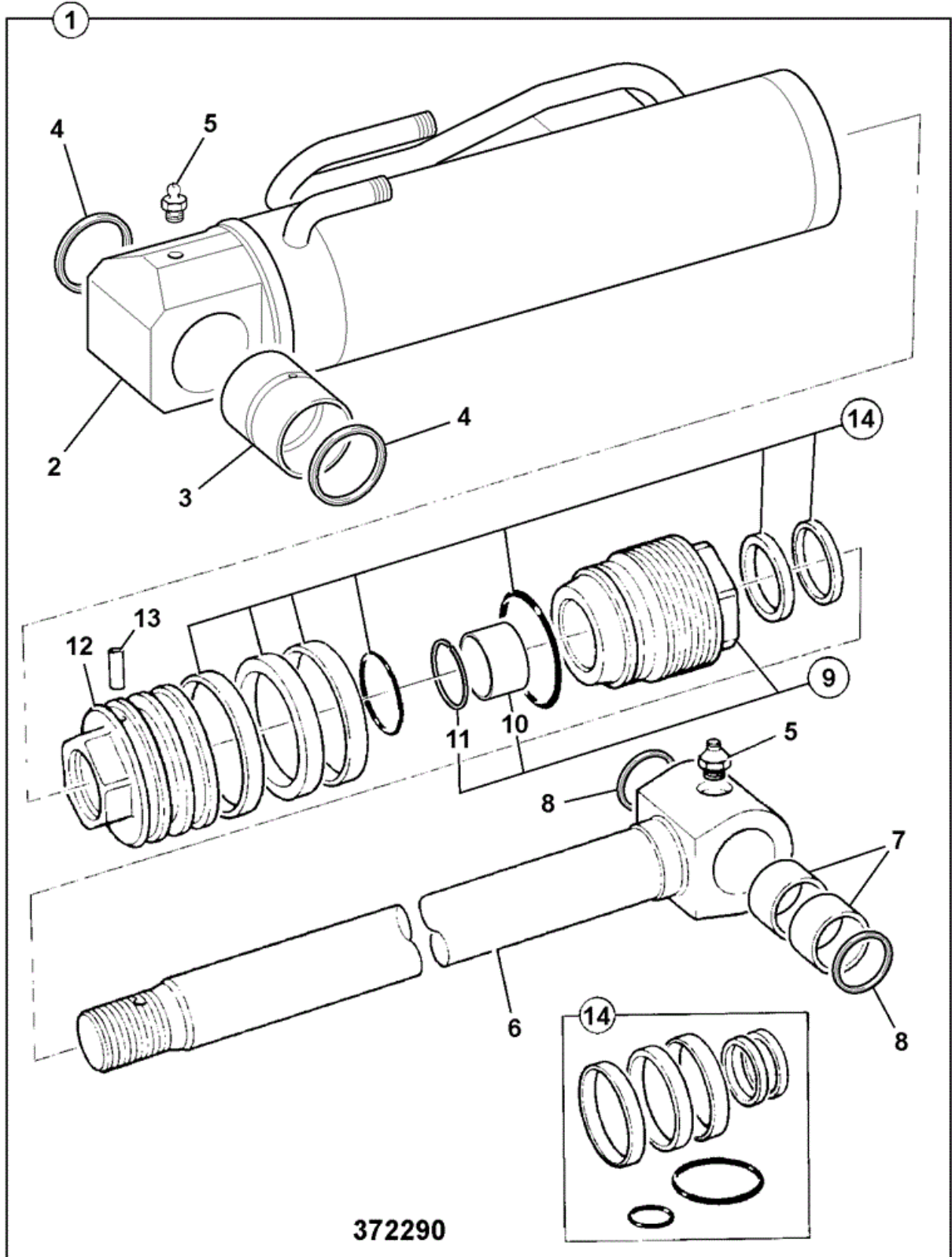


921200

Item	Part #	Change No	Description	Usage Code	QTY
A	332/T5001		Valve assembly combination		1

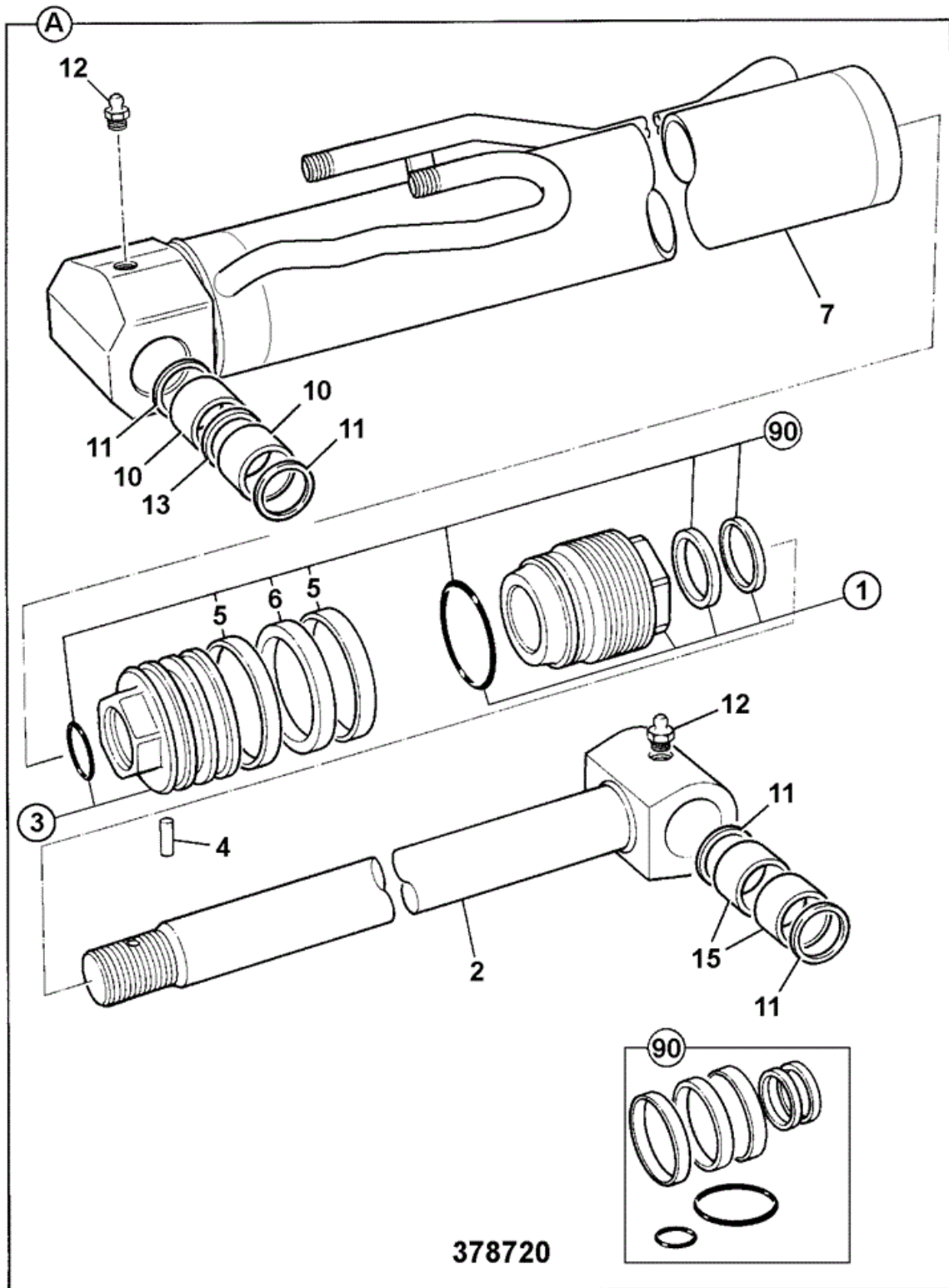
1	:25/220555	Cartridge valve excl. coil <i>Ports CT1 and CT2</i>	2
1A	:717/20262	Coil 12v Deutsch	2
1B	25/220533	Kit seal <i>Qty 1 per cartridge</i>	2
2	:332/C2277	Valve pressure reducing <i>Port CT3</i>	1
2A	:25/222910	Coil 12v	1
2B	25/222909	Kit seal	1
3	:332/E7569	Valve pressure reducer proportional <i>Ports CT4 and CT5</i>	2
4	:332/E7571	Valve check <i>Port CT6</i>	1
4A	25/220621	Kit-seal	1
5	****	None serviced part <i>Body</i>	1

JCB 9812/2500 E4-1-1 RAM SHOVEL LOADER



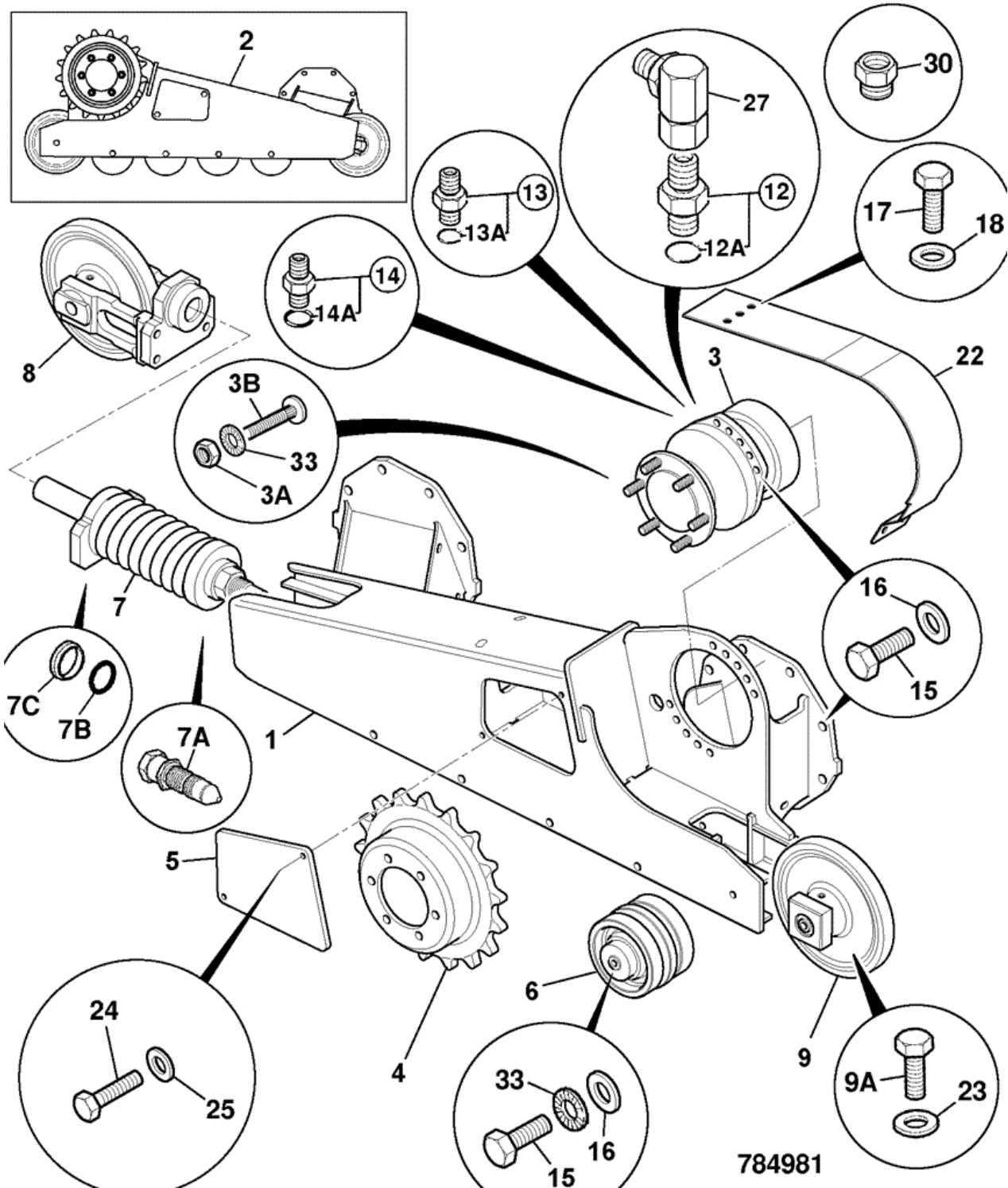
Item	Part #	Change No	Description	Usage Code	QTY
1	561/60189		Ram assembly bucket		1
2	:561/70150		Cylinder bucket ram		1
3	:809/00179		Bearing 60x70x90L		1
4	:813/00427		Seal Grease		2
5	:1450/0001		Nipple Grease, Straight 1/8 BSP		2
6	:590/40546		Rod piston 60 dia		1
7	:809/00195		Bearing		2
8	:904/15400		Seal		2
9	:594/14027		Kit-end cap 110mm long 60mm rod x 110mm cyl		1
10	:808/00335		Bearing liner		1
11	:821/00396		Circlip		1
12	:595/10043		Head piston		1
13	:826/01180		Dowel		1
14	:991/00110		Kit-seal		1

JCB 9812/2500 E4-3-1 RAM LIFT



Item	Part #	Change No	Description	Usage Code	QTY
A	557/60130		Ram assembly lift		1
1	:594/14018		Cap end		1
2	:590/40548		Rod piston		1
3	:595/27300		Head piston		1
4	:826/01179		Dowel		1
7	557/70090		Cylinder lift ram		1
10	:831/10245		Bush <i>dump end</i>		2
11	:904/15400		Seal		4
12	:1450/0001		Nipple Grease, Straight 1/8 BSP		2
13	:551/90190		Spacer <i>dump end</i>		1
15	:809/00195		Bearing <i>eye end</i>		2
90	:991/00103		Kit-seal		1

JCB 9812/2500 J1-1-1 TRACK FRAME ASSEMBLY MOTORS AND ADAPTORS



Item	Part #	Change No	Description	Usage Code	QTY
1	335/09805		Frame WA left hand		1

2	335/09807		Frame WA right hand <i>See Foot note 1</i>	1
3	20/925729		Motor drive, single speed <i>See Index E2 for components</i>	1
3A	:20/950467		Nut wheel M18	6
3B	:20/950466		Stud wheel, M18	6
4	331/20150		Sprocket drive	1
5	331/20164		Plate cover	1
6	331/20159		Roller <i>See Index J1 for components</i>	4
7	331/20160		Adjuster track idler	1
7A	:234/17000		Valve Grease <i>supplied with 331/20160</i>	1
7B	:331/26434		O Ring	1
7C	:331/26435		Ring Scraper Ring	1
8	331/20161	<M1407126	Wheel front idler assembly Ital Tractor <i>See Index J1 for components</i>	1
8	332/U6561	>M1407127	Wheel front idler assembly Berco <i>See Index J1 for components</i>	1
9	331/20163	<M1407126	Wheel rear idler assembly Ital Tractor <i>See Index J1 for components</i>	1
9	332/U6563	>M1407127	Wheel rear idler assembly Berco <i>See Index J1 for components</i>	1
9A	1321/0811D		Bolt encapsulated	2
12	1620/2059		Adaptor 3/4BSP/1-1/16SAE M/M <i>Ports A and B</i>	2
12A	:2401/0508		O Ring	1
13	1620/2053		Adaptor 3/8BSPx3/4SAE <i>Drain port</i>	2
13A	:2401/0506		O Ring	1
14	1620/2052		Adaptor 3/8BSP X 9/16 <i>Brake port</i>	1
14A	:2401/0503		O Ring	1
15	1321/3711D		Bolt M16 x 45 Long	34
16	823/00603		Washer hardened M16	34
17	1315/0305D		Setscrew M8 x 20mm	4
18	1412/0002D		Washer (5/16" Large)	4
22	331/45562		Guard pipe	1
23	823/00353		Washer Hardened M20 <i>for item 20</i>	2
24	1315/0507D		Setscrew M12 x 25 mm	2
25	1420/0009D		Washer (M12)	2
30	816/90023		Plug Drain	1
33	823/10586		Washer M18 <i>use with sprocket, item 4</i>	6
99	243/20497		G.A. DRIVE G.A.	1

Thank you so much for reading.
Please click the “Buy Now!”
button below to download the
complete manual.



After you pay.

You can download the most
perfect and complete manual in
the world immediately.

Our support email:

ebooklibonline@outlook.com