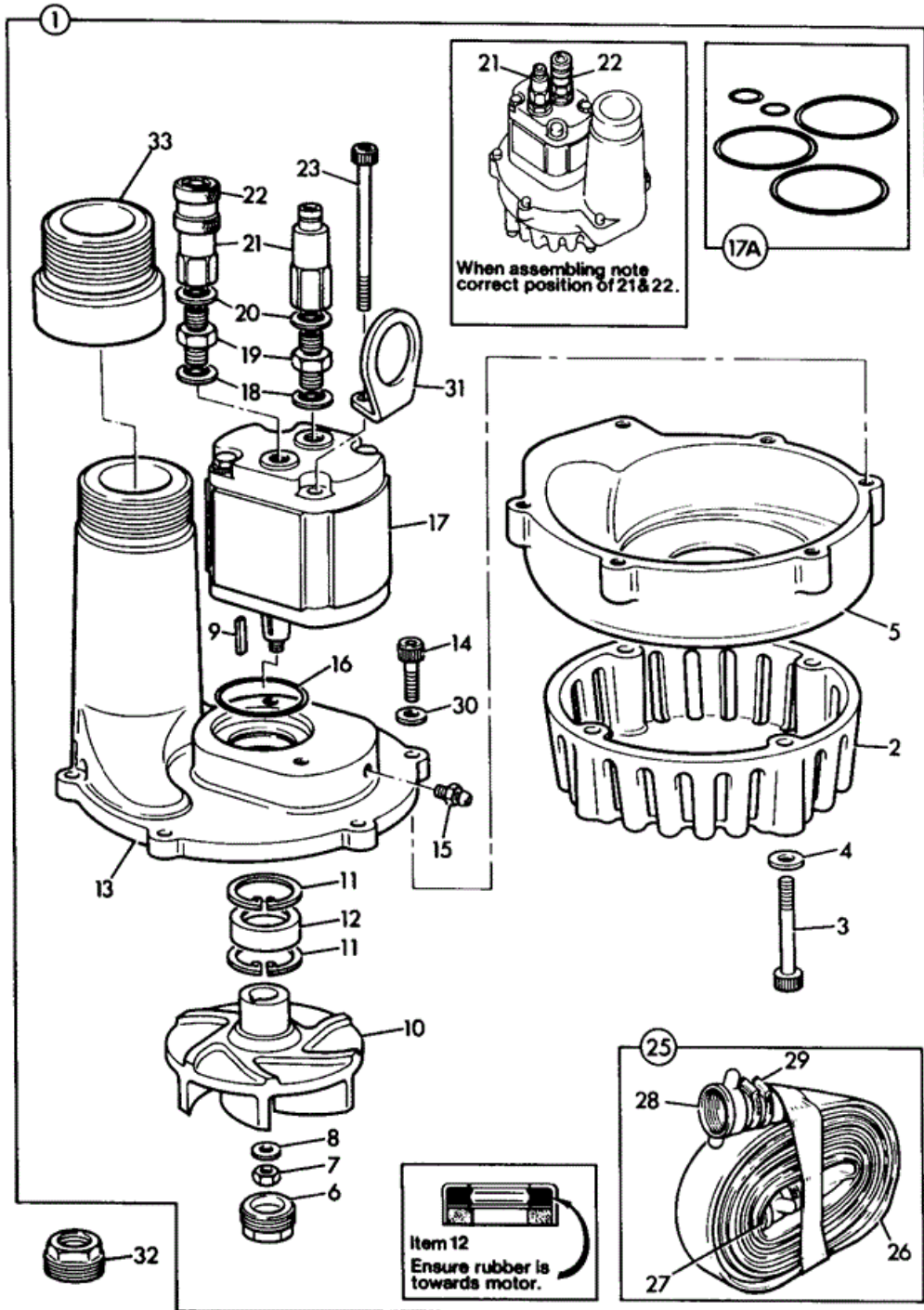
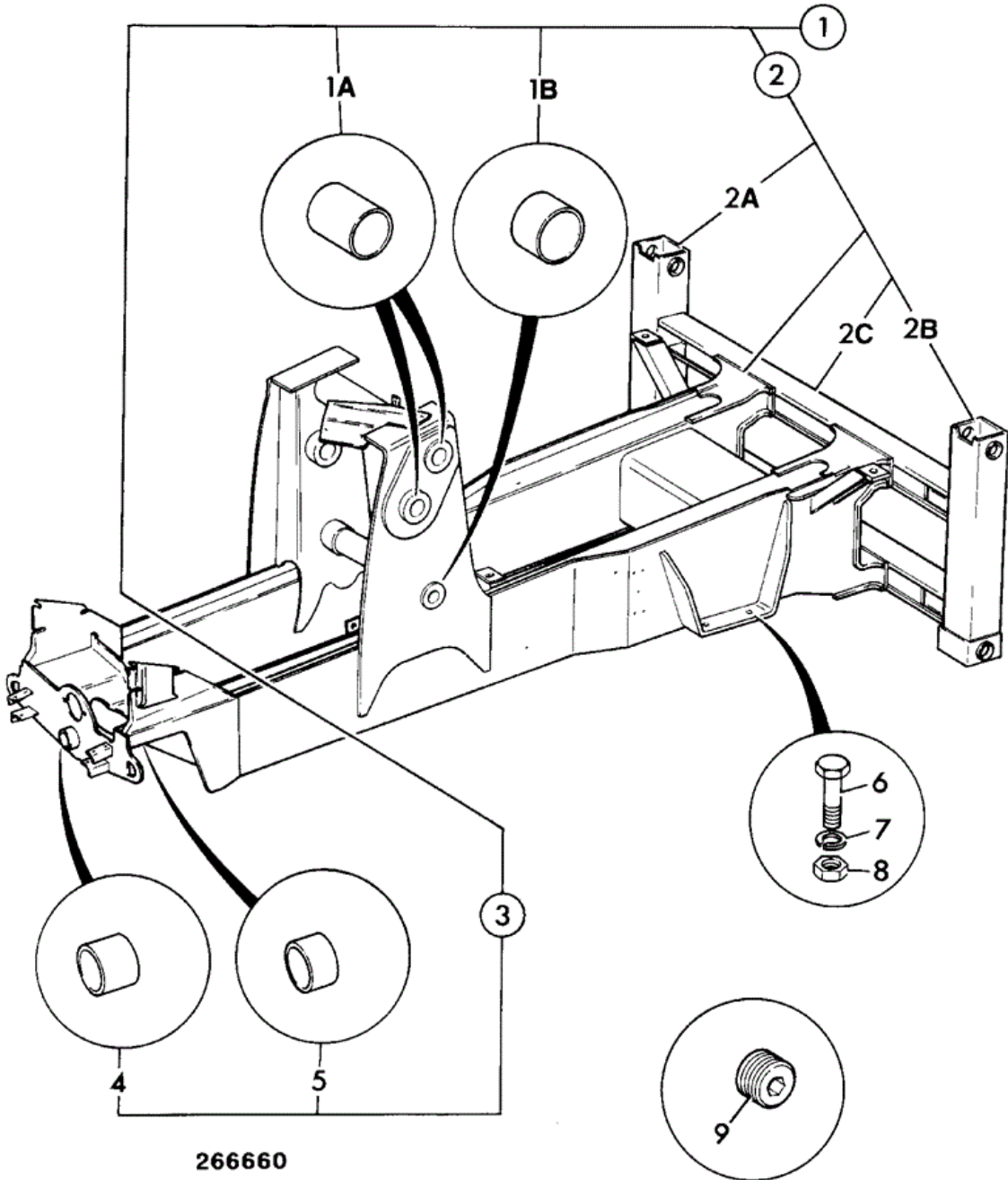


JCB 9802/9770 A3-34-1 PUMP, SUBMERSIBLE



Item	Part #	Change No	Description	Usage Code	QTY
1	929/04500		Pump & hose assembly submersible		1
2	:929/03902		Body strainer		1
3	:1315/3315Z		Bolt Star Drive M8 x 65mm		4
4	:1420/0008Z		Washer (M10)		4
5	:929/04800		Housing impellor		1
6	:929/03911		Plug		1
7	:1340/0302		Nut		1
8	:929/03913		Washer lock		1
9	:929/03912		Key drive		1
10	:929/04501		Impellor		1
11	:2203/1043		Circlip		2
12	:929/03906		Seal		1
13	:929/04700		Body casting		1
14	:1391/3308Z		Capscrew		6
15	:1450/0003		Nipple grease		1
16	:2401/0127		O Ring		1
17	:929/04503		Motor hydraulic		1
17A	::929/03914		Kit-seal motor		1
18	:1406/0018		Washer Bonded (1/2" BSP)		2
19	:1606/0007		Adapter		2
20	:1406/0015		Washer Bonded 3/8"		2
21	:PP/1200		Coupling male quick release		1
22	:PP/1201		Coupling female quick release		1
23	:1391/3420		Screw cap M10 x 100		2
25	:97074		Hose discharge 2in		1
26	::PP/4035		Hose		1
27	::PP/4004		Nozzle discharge		1
28	::PP/4034		Adapter discharge pump end		1
29	::2201/0010		Clip jubilee		4
30	:1420/0007Z		Washer (M8)		6
31	:929/03910		Hook lifting pump		1
32	929/04900		Tool extraction		1
33	929/04701		Adapter steel hose		1

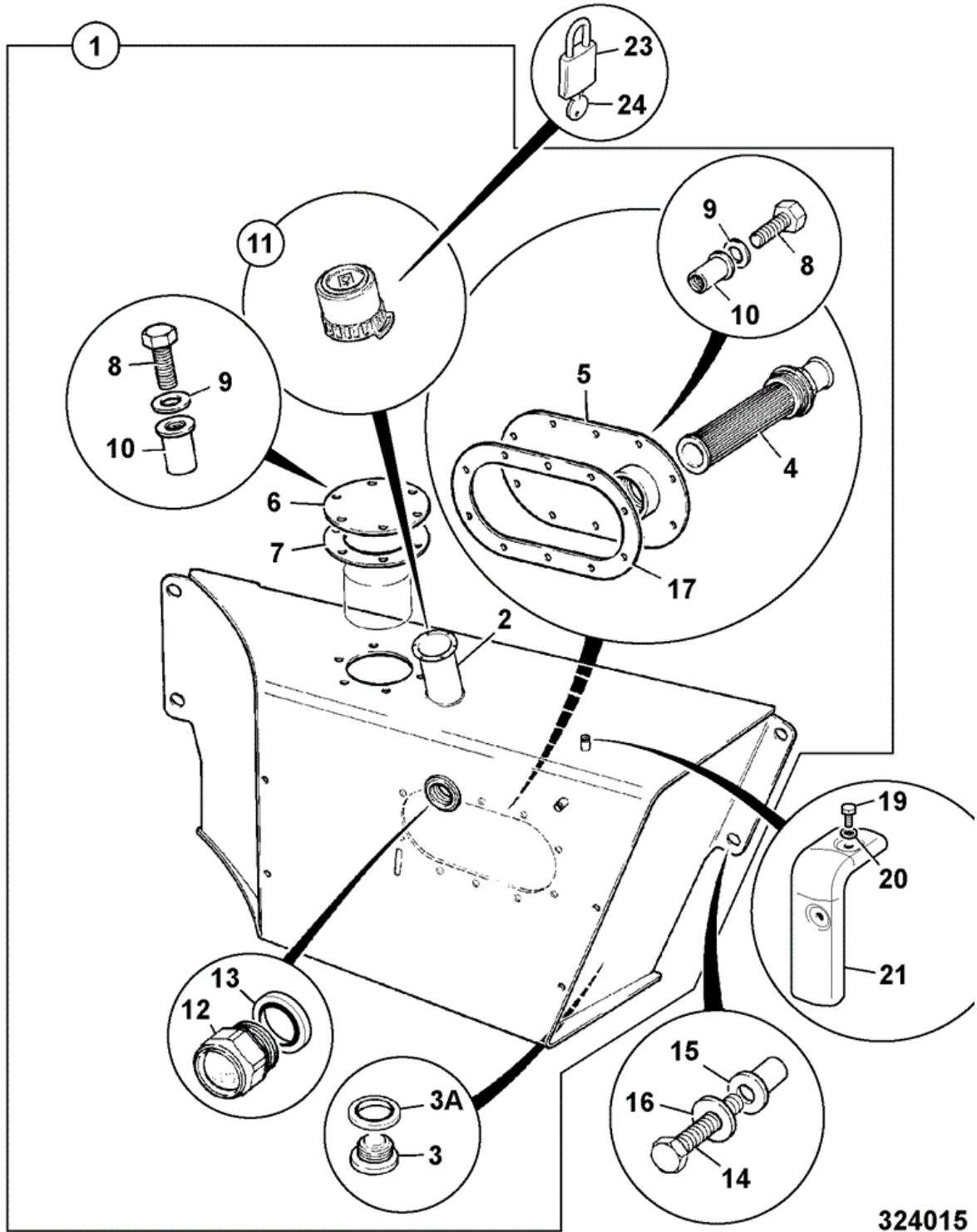
JCB 9802/9770 B1-1-1 CHASSIS SIDESHIFT 2WS



Item	Part #	Change No	Description	Usage Code	QTY
1	125/00557		Chassis 2ws 7'4" gearpump		1
1A	:809/00102		Bearing Liner		4

			<i>Loader arm pivot & level link pivot.</i>	
1B	:809/00093		Bearing Liner <i>Lift ram pivot.</i>	2
2	:125/00198		Frame 7'4" sideshift rear	1
2A	::125/00195		Housing right hand stabiliser	1
2B	::125/00194		Housing left hand stabiliser	1
2C	::125/00196		Crossrail 7'4" sideshift	1
2D	:123/06409		Housing wear pad	2
3	:125/94500		Yoke 2ws axle	1
4	::829/01215		Boss <i>Front</i>	1
6	826/01206		Bolt <i>Axle mount</i>	4
7	1411/0010Z		Washer	4
8	826/01207		Nut	4
9	835/10026		Plug plastic	17

JCB 9802/9770 B1-2-2 TANK, HYDRAULIC

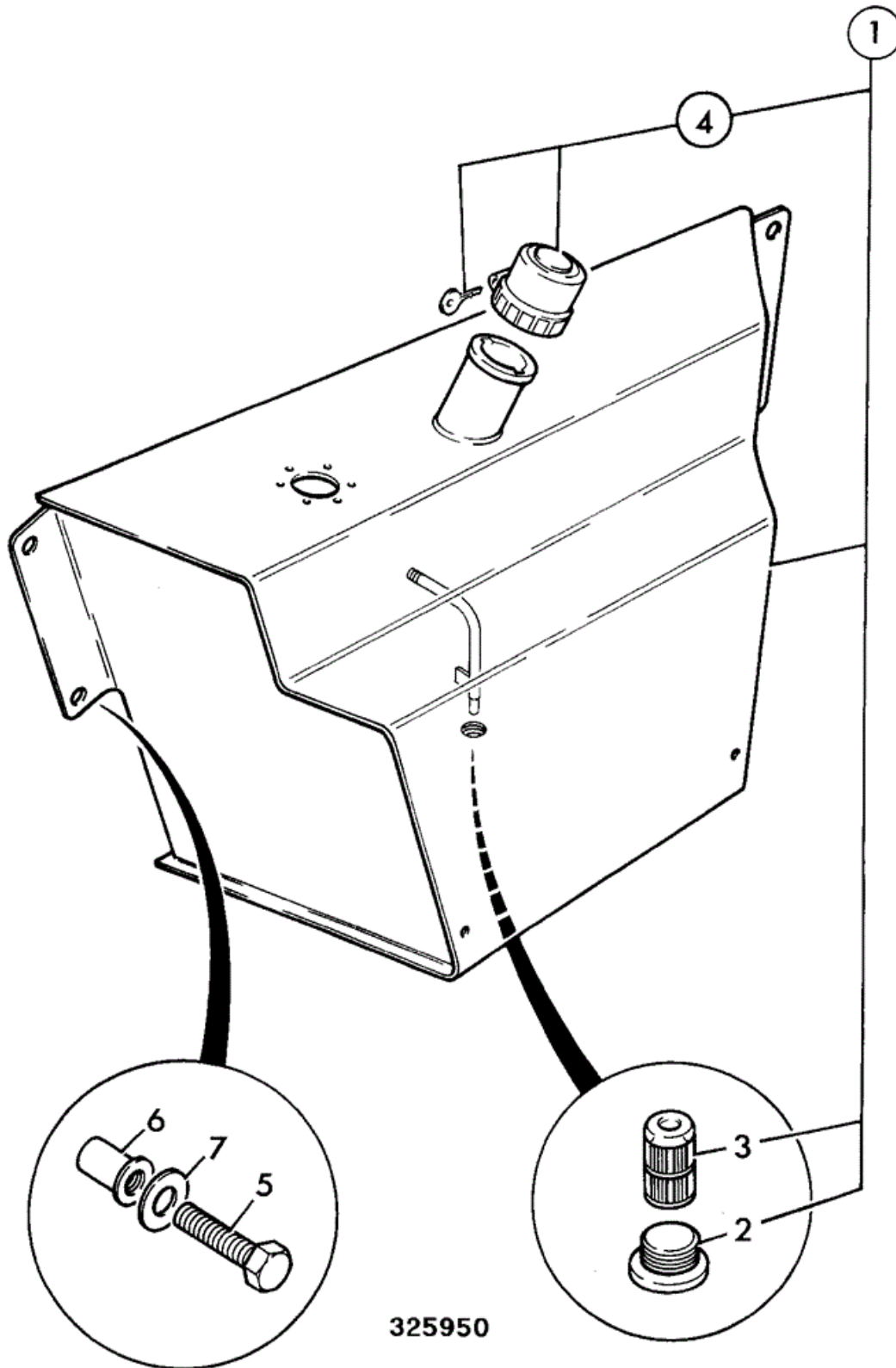


324015

Item	Part #	Change No	Description	Usage Code	QTY
1	126/03224		Tank hydraulic		1
2	:123/02827		Tube hydraulic filler neck		1

3	:123/08086		Plug drain	1
4	:32/920300		Element Filter 125 micron	1
4A	:32/920301		O Ring	1
5	:125/00579		Cover tank inspection	1
6	:123/06717		Cover plate	1
7	:813/00466		Gasket	1
8	:1315/0307Z		Setscrew M8 X 25	16
9	:1420/0007Z		Washer (M8)	16
10	:826/10381		Rivet nut M8 closed	16
11	:123/07092		Cap hydraulic filler	1
12	:123/08053		Gauge Sight 50mm	1
13	:25/700013		O Ring	1
14	1315/0510Z		Bolt M12x40	4
15	826/01717		Nut rivet M12	4
16	823/00589		Washer (13mm x 40mm x 5mm)	4
17	123/09018		Gasket hydraulic tank	1
18	926/29000		Buffer cable cover	1
19	1315/0203Z		Setscrew	2
20	1420/0006Z		Washer (M6)	2
21	123/09019		Cover cable	1

JCB 9802/9770 B1-3-2 TANK, DIESEL FUEL 150 LITRES

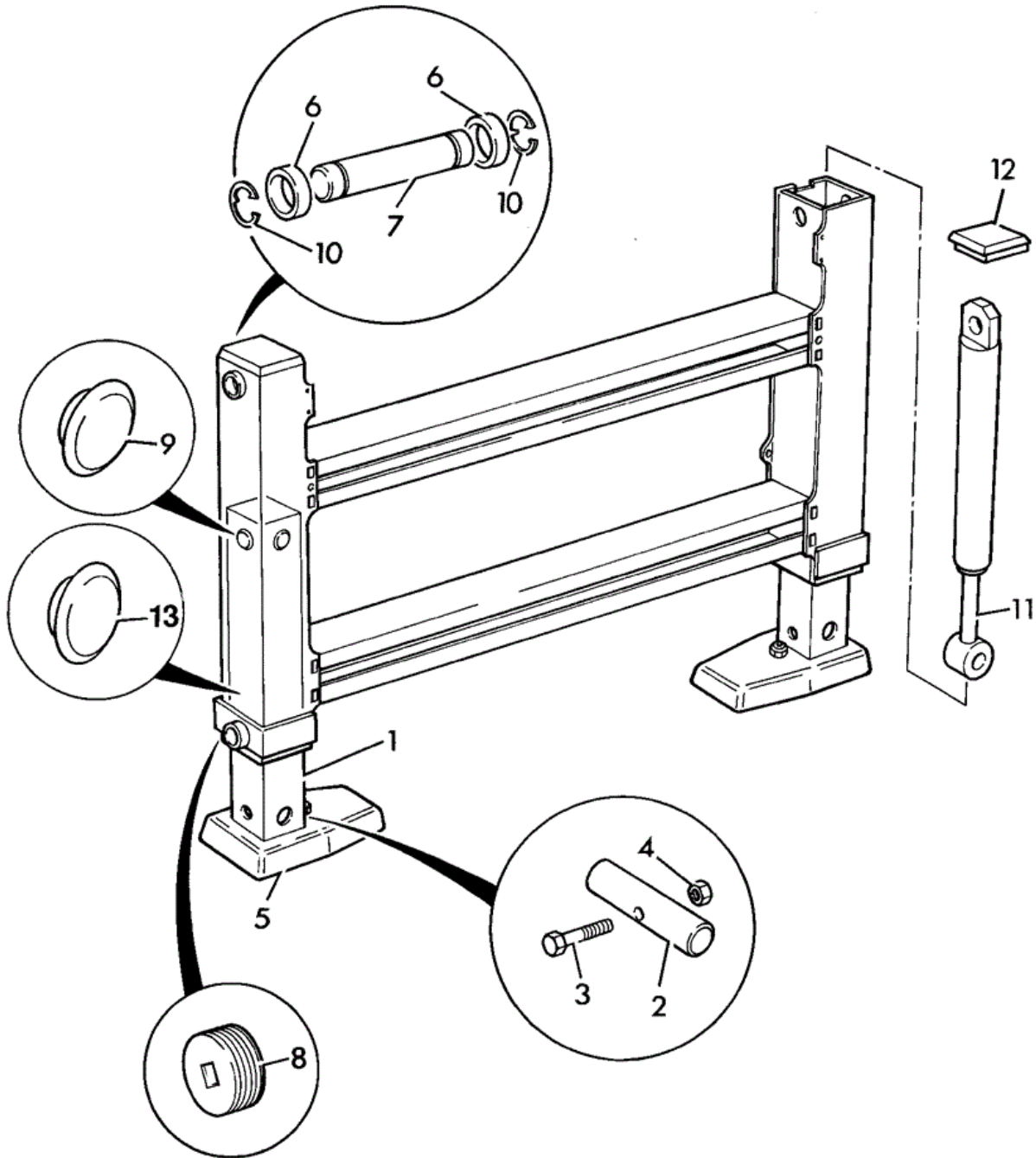


325950

Item	Part #	Change No	Description	Usage Code	QTY
1	126/03262		Tank diesel fuel 150 litre		1
1	128/10201		Tank Diesel fuel 150lt hyd. power take-off		1
2	:123/08086		Plug drain		1
3	:704/30200		Filter fuel-diesel		1
4	:123/05892		Cap filler, lockable supplied without key <i>For key see ignition switch.</i>		1
5	1315/0510Z		Bolt M12x40		4
6	826/01717		Nut rivet M12		4
7	823/00589		Washer (13mm x 40mm x 5mm)		4



9802/9770 B1-4-1 STABILISER SIDESHIFT

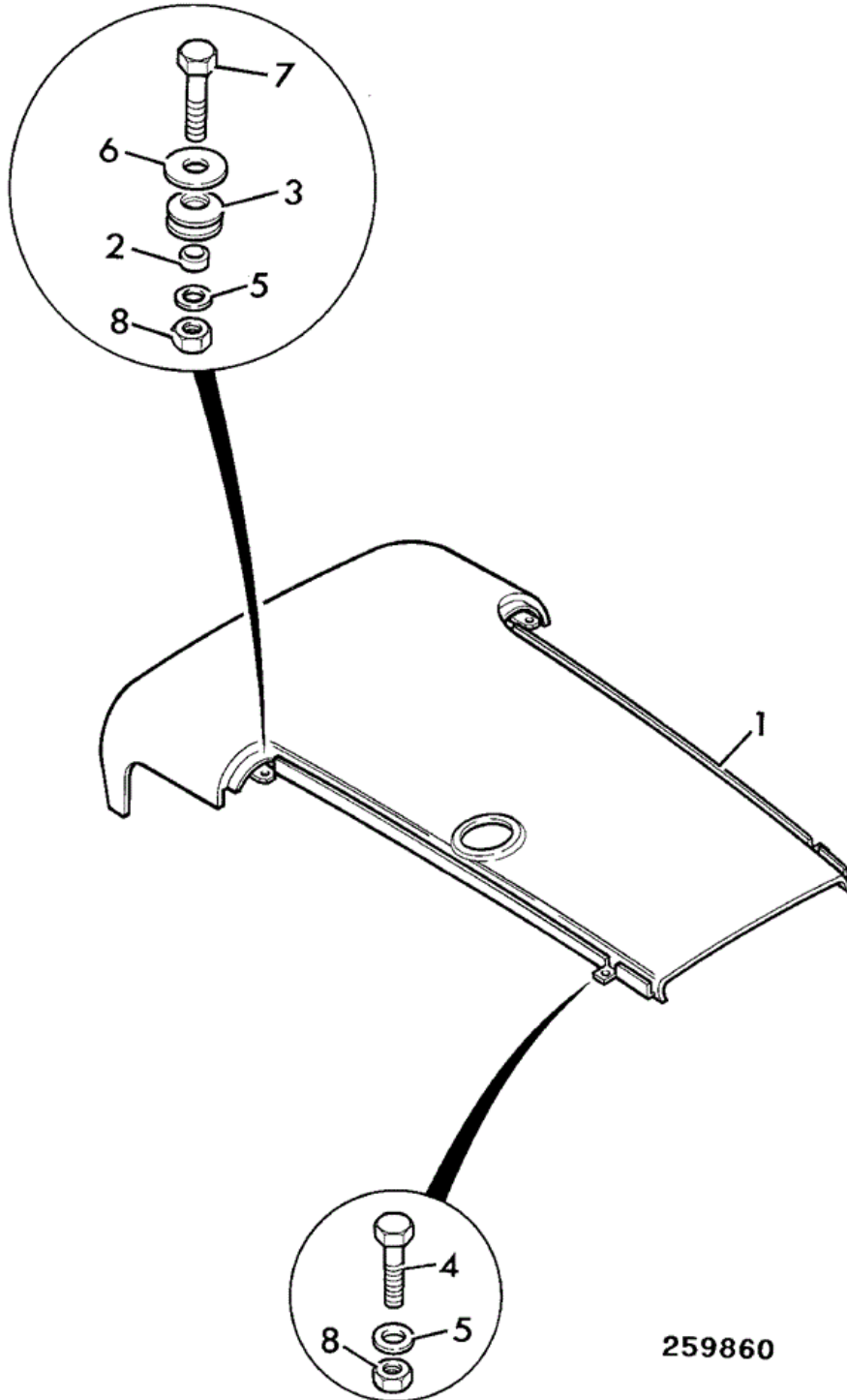


266131

Item	Part #	Change No	Description	Usage Code	QTY
1	125/00193		Leg inner sideshift		1
2	811/50530		Pin Pivot		2

3	1315/3420Z		Bolt (M10 X 100)		2
4	1370/0303Z		Nut lock M10		2
5	123/06022		Foot sideshift stabiliser		2
6	123/06012		Spacer		2
7	811/70108		Pin pivot		2
8	123/06408		Pad lower wear yellow		4
9	123/06015	Superseded	Pad wear 5mm green, upper		8
9	123/07295		Pad wear,5mm upper colour green		8
9	123/06016	Superseded	Pad wear 6mm red, upper		8
9	123/07296		Pad wear,6mm upper colour red		8
9	123/06017	Superseded	Pad wear 7mm blue, upper		8
9	123/07297		Pad wear,7mm upper colour blue		8
10	2203/0060		Circlip 45mm		4
11	556/60078		Ram sideshift stabiliser 40mm rod x 70mm cyl		2
12	123/06023		Cap Sideshift Stabiliser		2
13	123/06014		Pad wear, lower 6mm thick, colour black		4

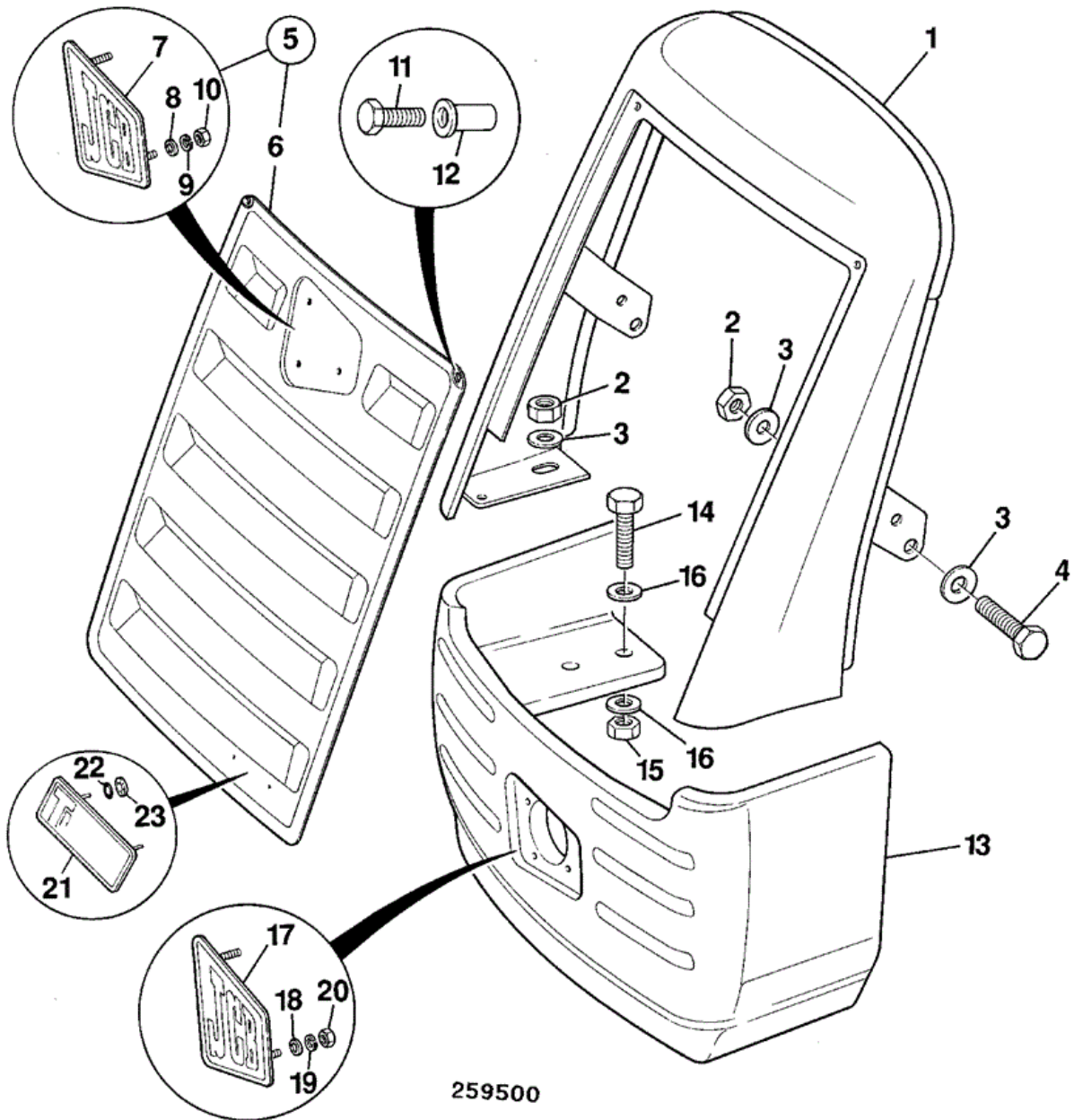
JCB 9802/9770 B1-5-2 BONNET



Item	Part #	Change No	Description	Usage Code	QTY
1	125/00480		Bonnet without pre-cleaner		1
1	125/00481		Bonnet with pre-cleaner		1

2	123/05863		Spacer	2
3	2410/0111		Grommet	2
4	1315/0305Z		Setscrew M8 x 20	2
5	1412/0002Z		Washer (5/16")	2
6	1420/0007Z		Washer (M8)	4
7	1315/3309Z		Bolt M8 x 35mm	2
8	1370/0203Z		Nut Nut M8	2
9	926/04813		Strip edging	4
10	926/09904		Foam strip	1

JCB 9802/9770 B1-6-1 GRILLE, FRONT 2WS



Item	Part #	Change No	Description	Usage Code	QTY
1	125/94700		Guard grille housing 2ws		1
2	1370/0603Z		Nut lock M16		4

3	1420/0011Z		Washer (M16)	6
4	826/01660		Bolt	2
5	126/01855	Superseded	Grille assembly front	1
5	126/03080		Grille assembly front	1
6	****		None serviced part	1
7	:817/04436		Plate JCB logo	1
8	:1370/0101Z		Nut (M6)	3
9	:1420/0006Z		Washer (M6)	3
10	:1425/0006Z		Washer Spring (M6)	3
11	826/01521		Screw M6 X 20	2
12	826/01099		Rivet Nut M6	2
13	123/05566		Bumper 2ws 90kg cast	1
13	123/05567		Bumper 2ws 250kg cast	1
14	1315/3716Z		Bolt M16 x 70mm	4
15	1370/0603Z		Nut lock M16	4
16	1420/0011Z		Washer (M16)	8
17	817/04435		Decal JCB logo	1
18	1420/0006Z		Washer (M6)	3
19	1425/0006Z		Washer Spring (M6)	3
20	1370/0101Z		Nut (M6)	3
21	817/04440	<M475909	Decal Turbo	1
22	828/00267	<M475909	Grommet	2
23	823/00445		Washer retaining	2
24	123/06224		Blank bumper infill (2ws 90kg)	1
24	123/06288		Blank bumper infill (2ws 250kg)	1
25	1411/0008Z		Washer	2
26	826/01782		Bolt	2
27	1412/0007Z		Washer	2

Thank you so much for reading.
Please click the “Buy Now!”
button below to download the
complete manual.



After you pay.

You can download the most
perfect and complete manual in
the world immediately.

Our support email:

ebooklibonline@outlook.com