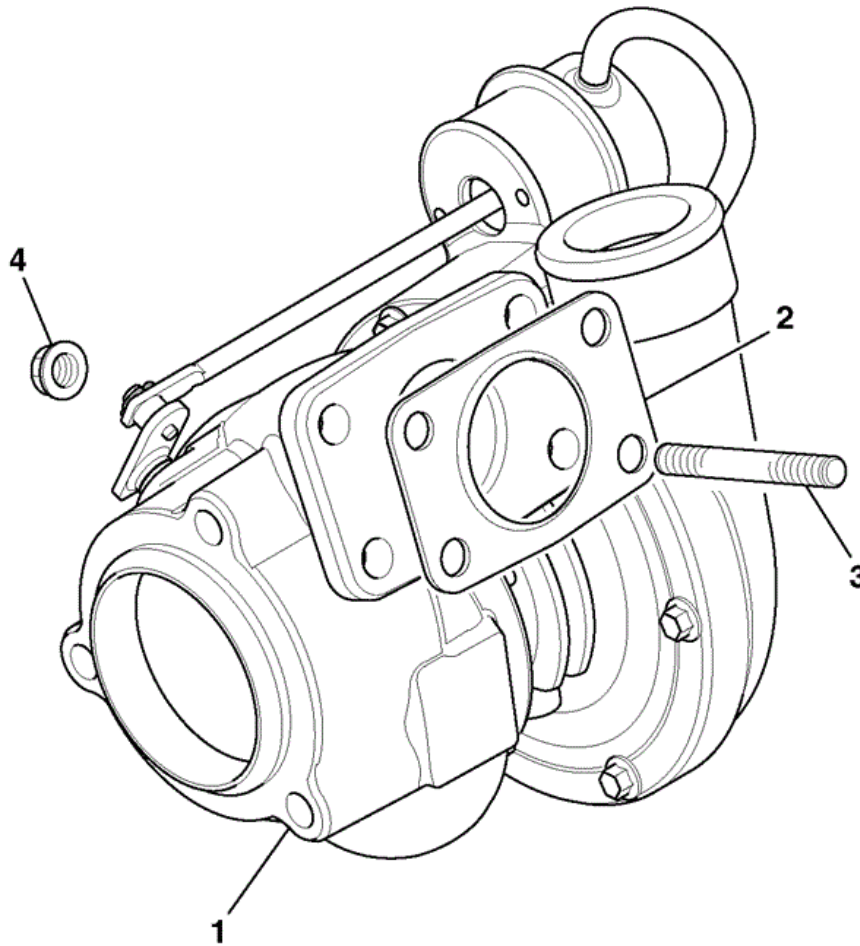


JCB 9802/9810 R7-1-1 TURBOCHARGER RG BUILD

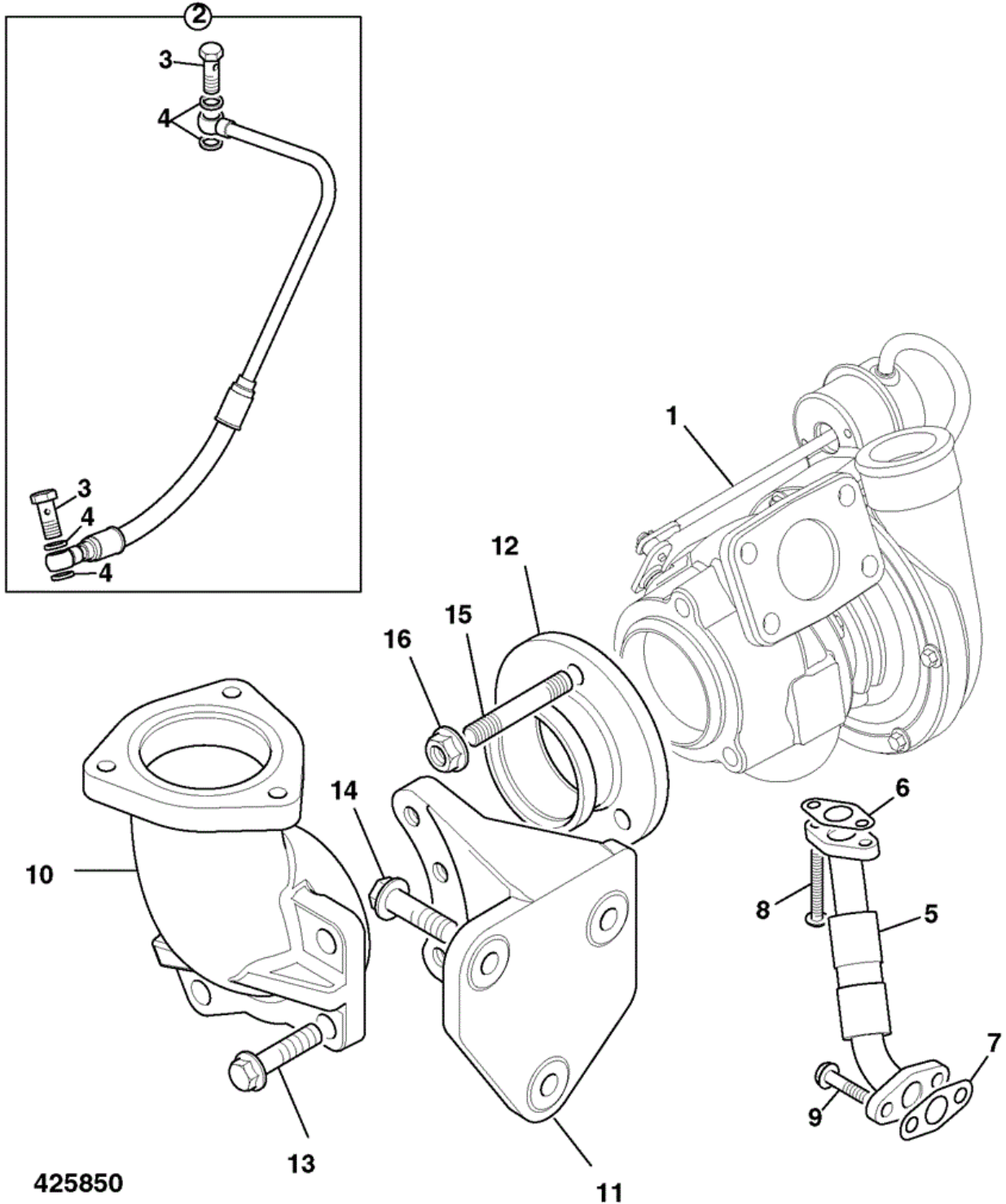


425840

Item	Part #	Change No	Description	Usage Code	QTY
1	02/203160		Turbocharger assembly		1
2	02/201684		Gasket turbo to manifold		1

3	02/291193		Stud		4
4	02/291061		Nut		4

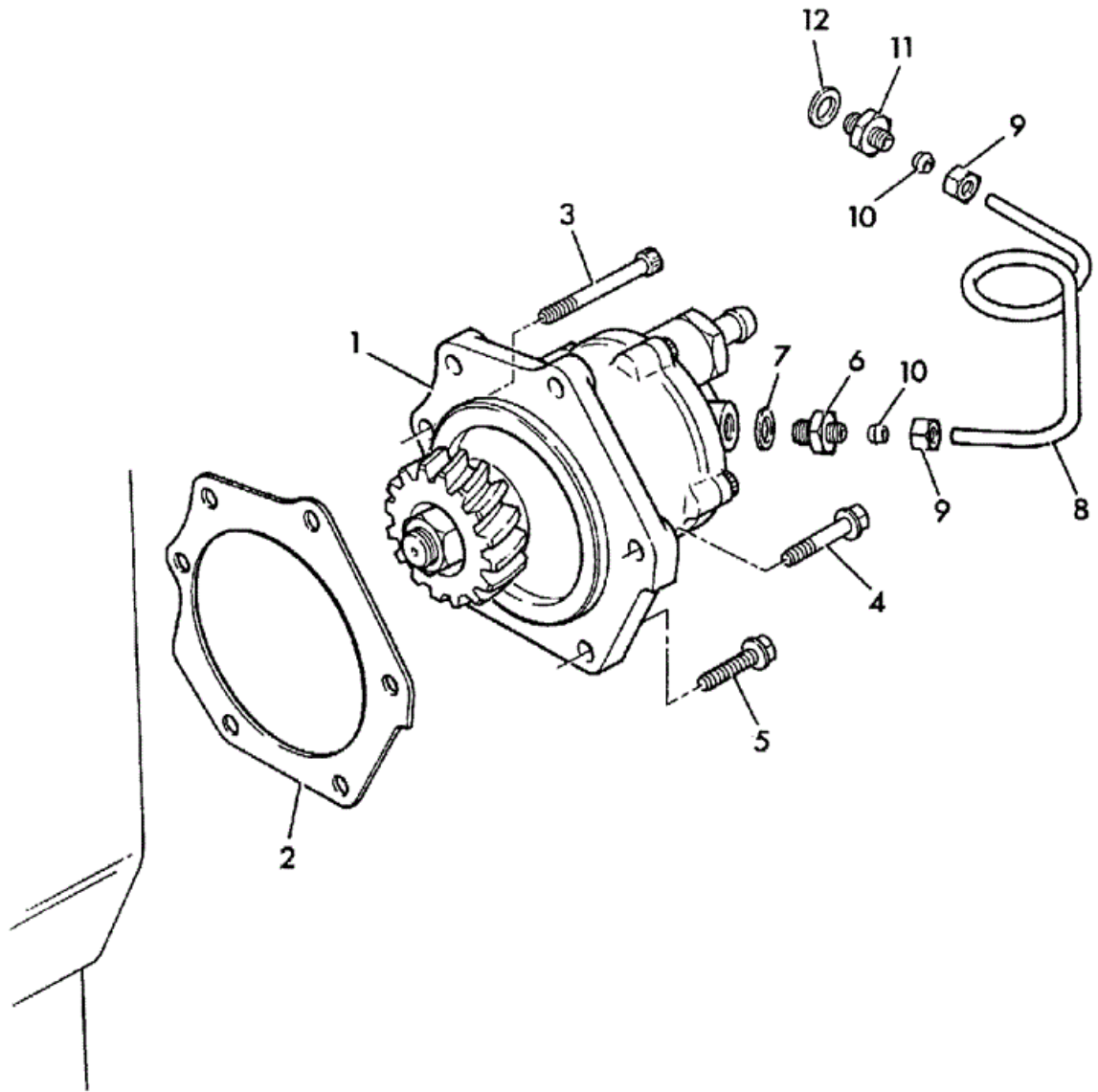
JCB 9802/9810 R7-2-1 TURBOCHARGER PIPEWORK &
 MOUNTING RG BUILD



Item	Part #	Change No	Description	Usage Code	QTY
1	****		'See Remark'		1

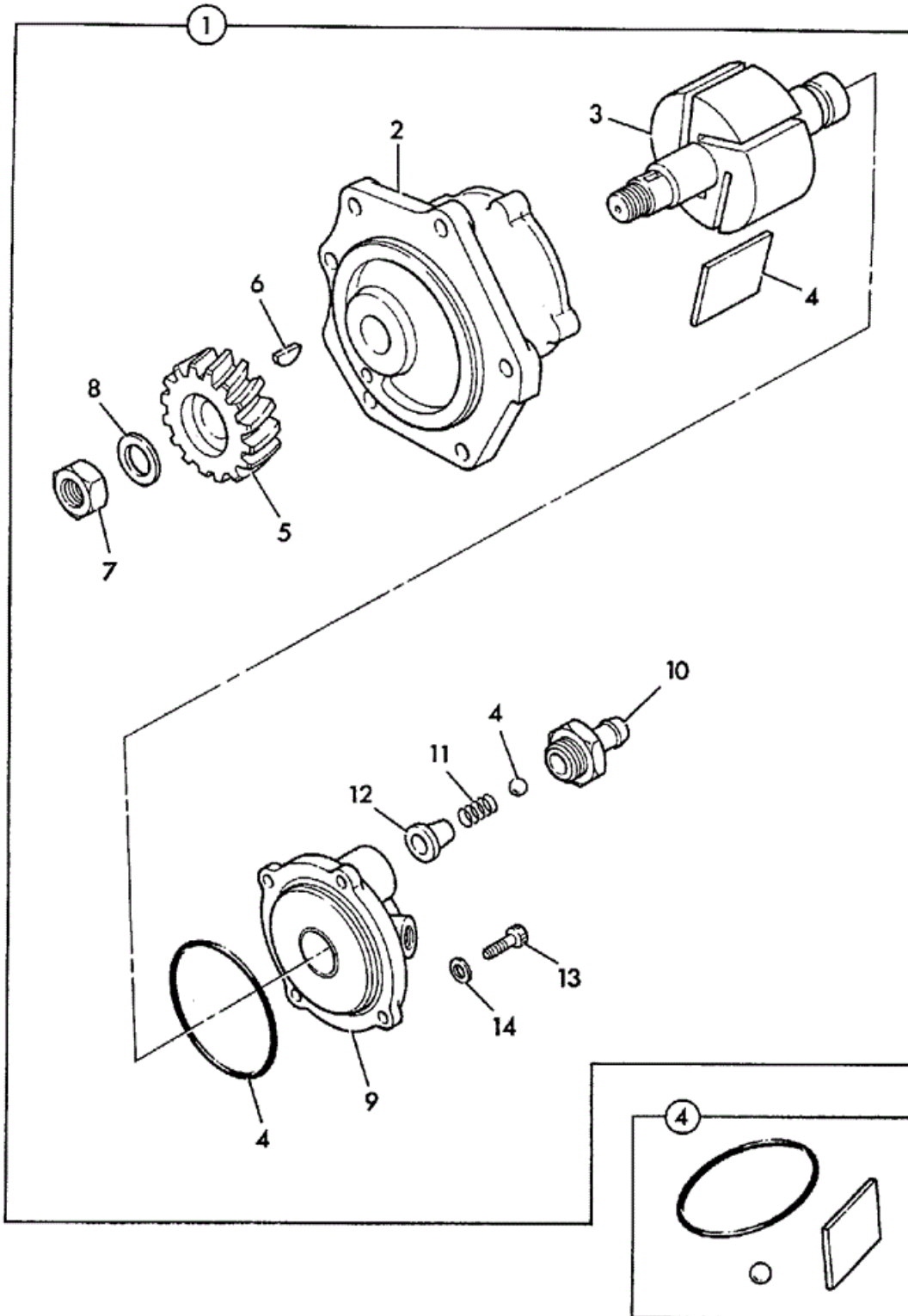
2	02/203152		Pipe turbo oil feed	1
3	02/203007		Bolt banjo	2
4	02/203012		Washer seal	4
5	02/203153		Pipe turbo oil drain	1
6	02/203009		Gasket	1
7	02/203010		Gasket	1
8	02/291092		Bolt	2
9	826/00869		Screw flange head	2
10	02/203013		Elbow exhaust	1
11	02/203014		Bracket turbo support	1
12	02/203015		Adapter turbo	1
13	826/00900		Screw	3
14	02/291037		Bolt	2
15	02/291193		Stud	3
16	02/291061		Nut	3

JCB 9802/9810 R7-3-1 PUMP, VACUUM & INSTALLATION



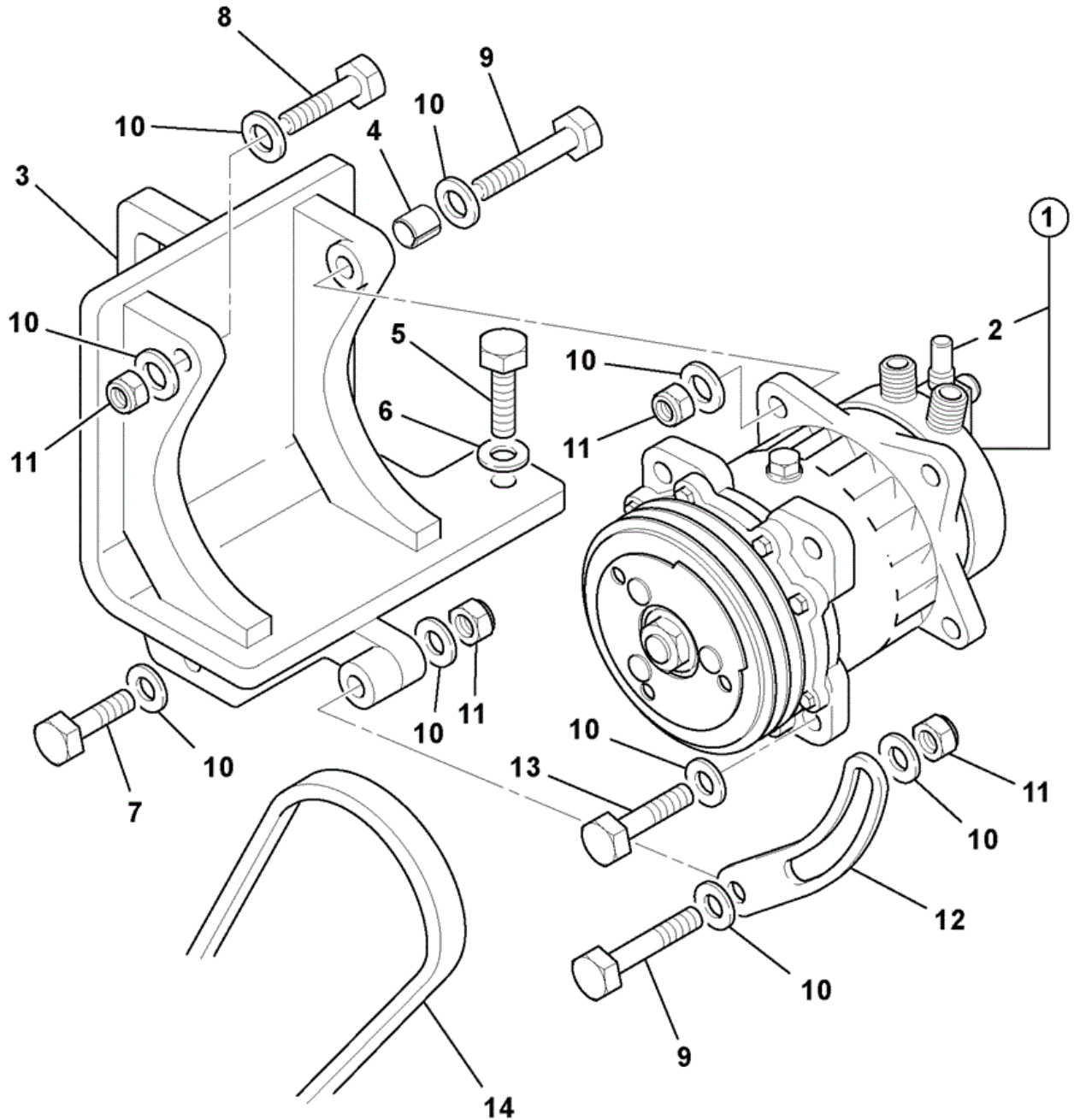
Item	Part #	Change No	Description	Usage Code	QTY
1	15/920200		Pump Vacuum <i>Vacuum pump - See frame R7-4-1</i>		1
2	15/909008		Gasket		1
3	15/909009		Capscrew		1
4	15/909011		Screw		4
5	15/909010		Screw		1
6	15/909004		Adapter		1
7	15/909005		Washer seal		1
8	15/909001		Pipe oil feed		1
9	15/909002		Nut union		2
10	15/909003		Olive		2
11	15/909006		Adapter		1
12	15/909007		Washer seal		1

JCB 9802/9810 R7-4-1 PUMP, VACUUM



Item	Part #	Change No	Description	Usage Code	QTY
1	15/920200		Pump Vacuum		1
4	:15/908903		Kit-repair		1

JCB 9802/9810 R7-5-1 COMPRESSOR INSTALLATION AIR
 CONDITIONING

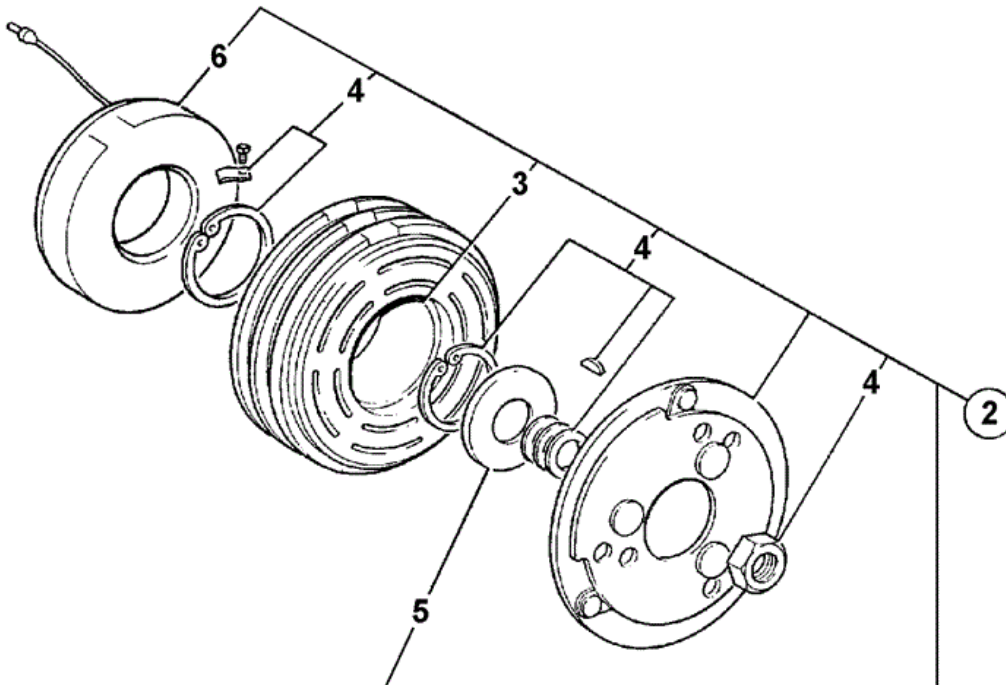
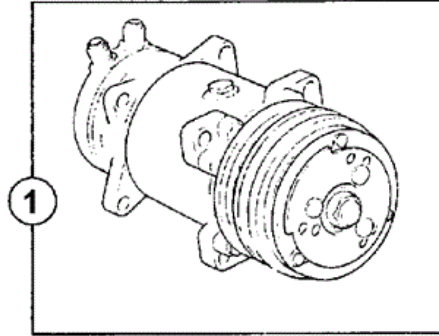
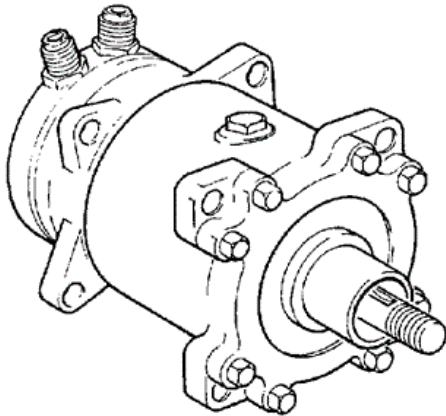


718690

Item	Part #	Change No	Description	Usage Code	QTY
1	123/04998		Compressor 12v		1

2	:123/03737	Valve pressure	1
3	335/04222	Bracket mounting air conditioning	1
4	478/01191	Sleeve	1
5	1315/0308Z	Setscrew M8 x 30	1
6	1420/0007Z	Washer (M8)	1
7	1315/0408Z	Setscrew M10 x 30	3
8	1315/3411Z	Bolt M10 x 45mm	1
9	1315/3413Z	Bolt M10 x 55	2
10	1420/0008Z	Washer (M10)	11
11	1370/0303Z	Nut lock M10	4
12	478/01617	Lever compressor adjusting	1
13	1315/3410Z	Bolt M10 x 40	1
14	331/38446	Belt drive 1250mm	1

JCB 9802/9810 R7-6-1 COMPRESSOR AIR CONDITIONING

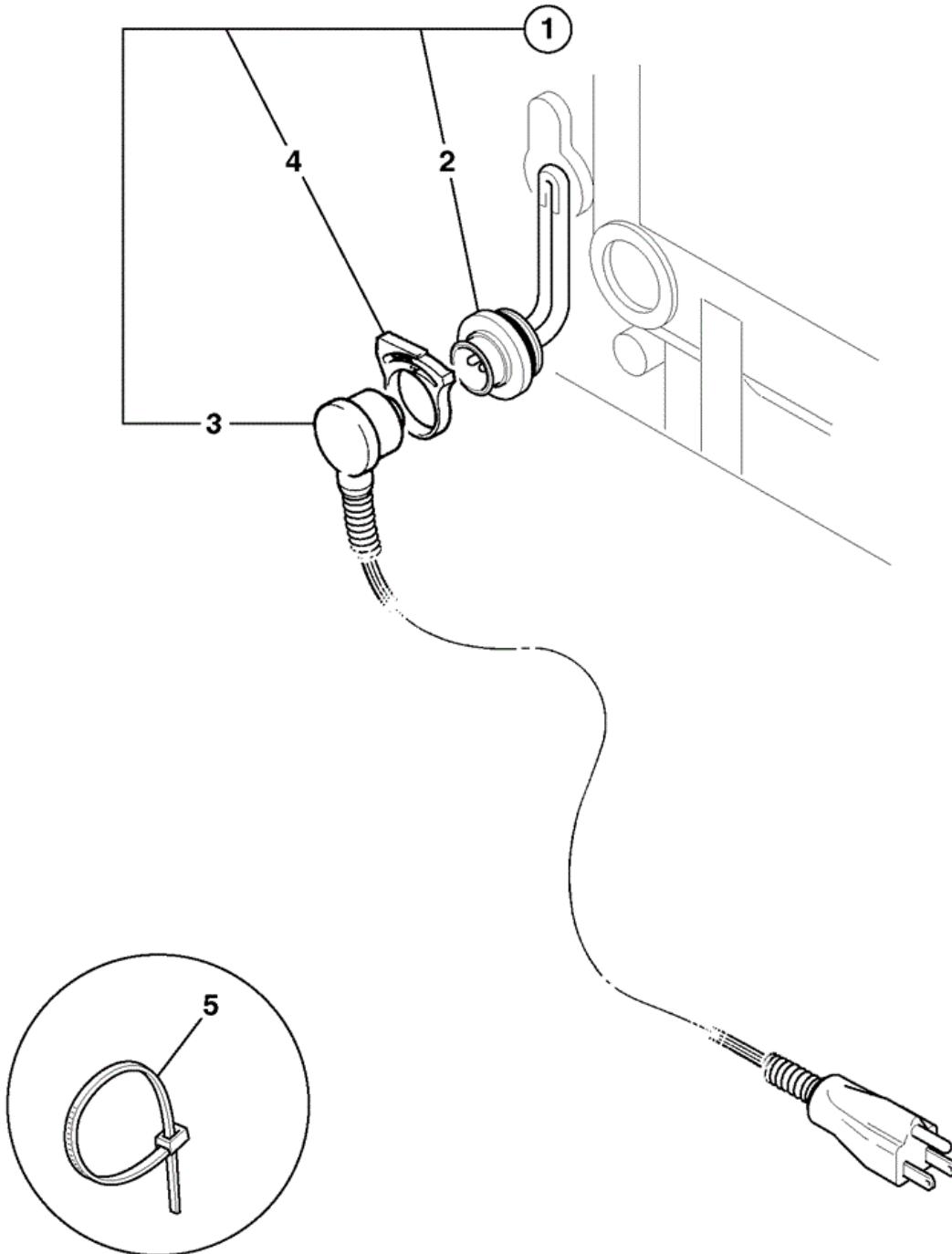


188431

Item	Part #	Change No	Description	Usage Code	QTY
1	123/04998		Compressor 12v		1
2	:997/11400		Clutch coil assembly, 12v		1

3	::141/00823		Bearing	1
4	::141/00824		Kit-sundry parts	1
5	:141/00867		Cover bearing dust	1
6	:141/00822		Coil field	1

JCB 9802/9810 R7-7-1 BLOCK HEATER FREEZE PLUG TYPE
 120V, OPTIONAL



720190

Item	Part #	Change No	Description	Usage Code	QTY
1	717/13600		Kit-heater engine block, 120v freeze plug type		1

2	:717/20211	Element heater 120Volt	1
3	:717/20118	Harness engineblock heater 120Volv	1
4	:821/10151	Clip core plug heater	1
5	826/01144	Tie Cable 200mm	3

Thank you so much for reading.
Please click the “Buy Now!”
button below to download the
complete manual.



After you pay.

You can download the most
perfect and complete manual in
the world immediately.

Our support email:

ebooklibonline@outlook.com