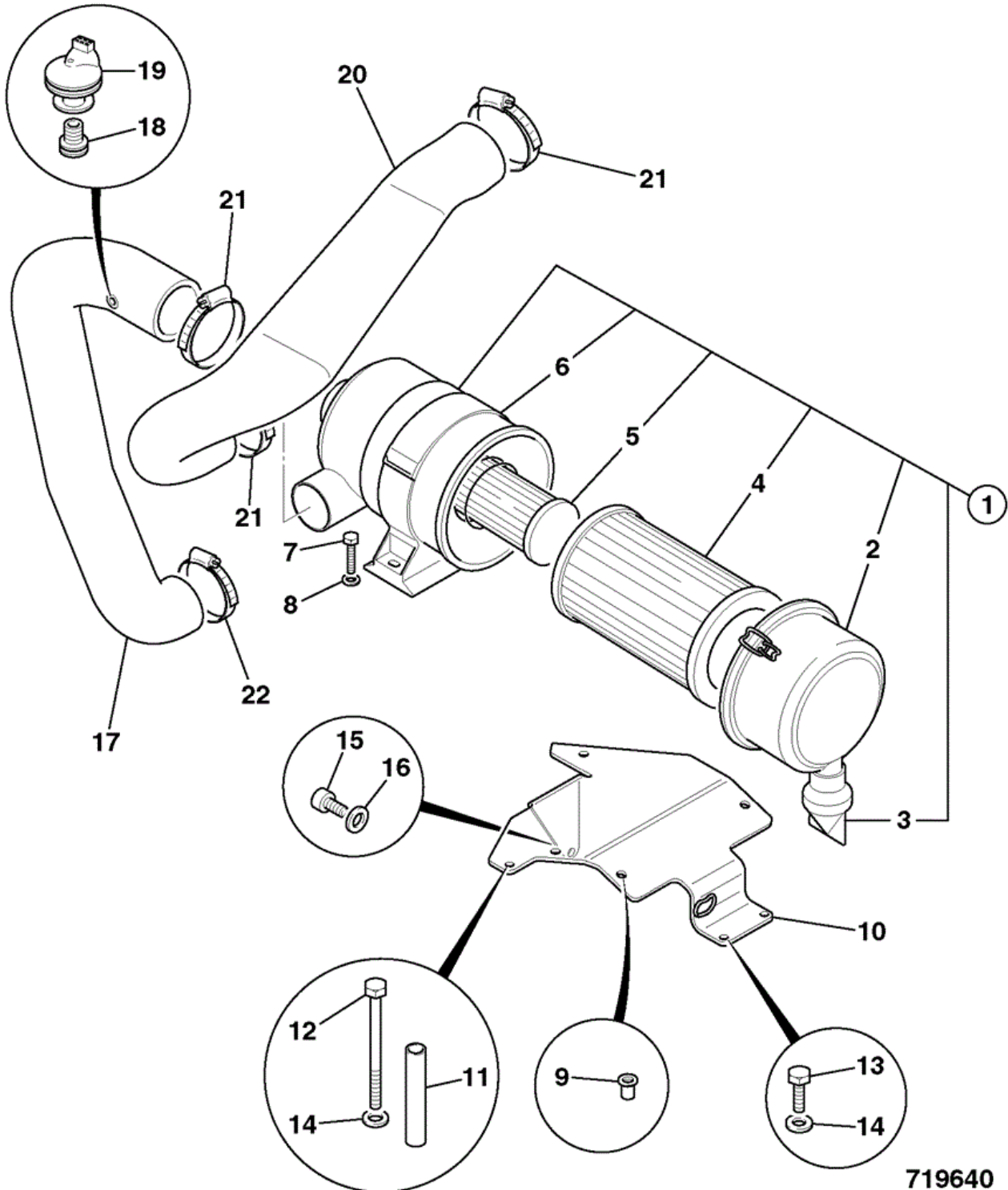


**JCB** 9802/9810 R3-3-11 FILTER, AIR, TURBOCHARGED, 2WS  
 OPTIONAL

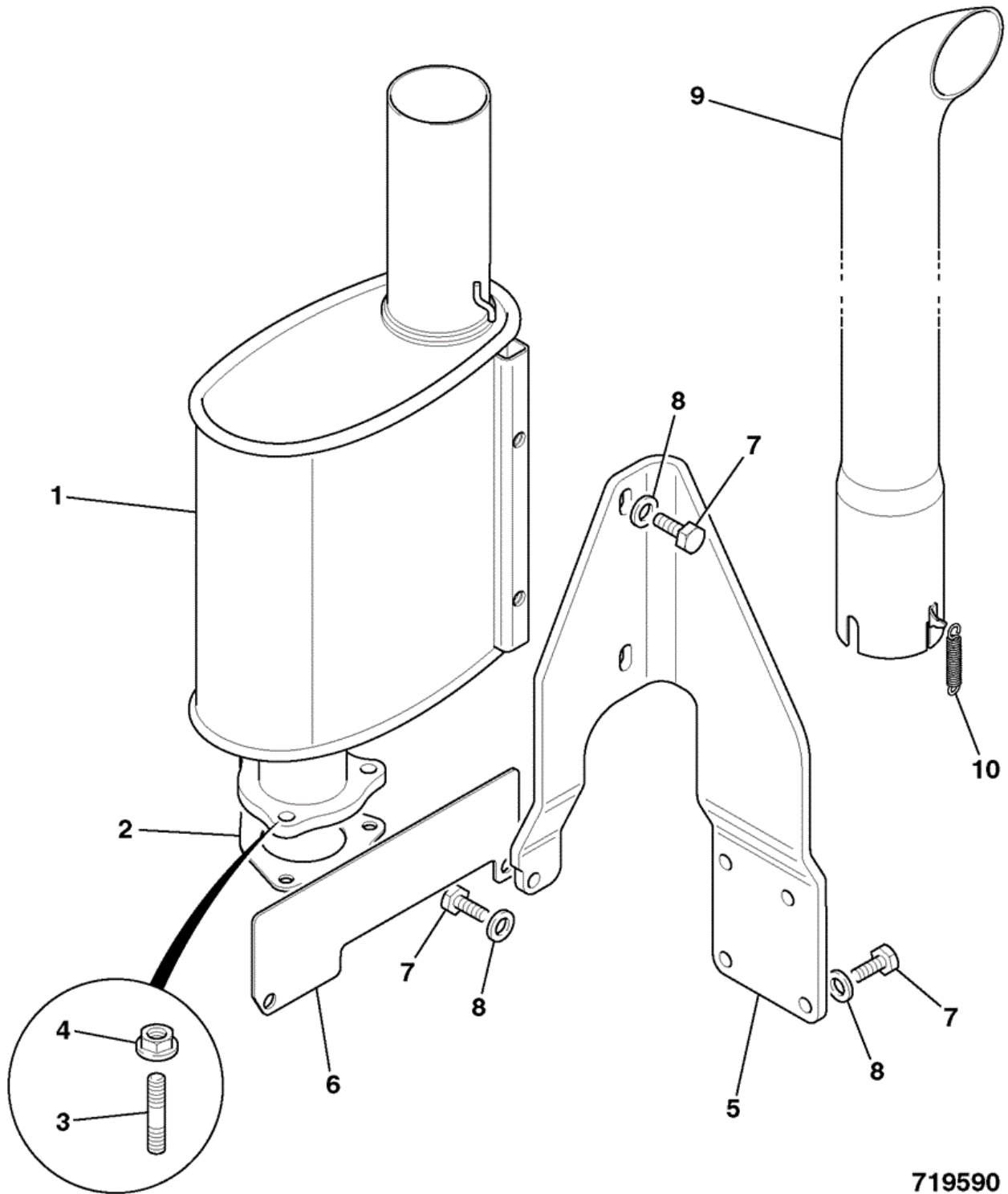


719640

Item	Part #	Change No	Description	Usage Code	QTY
1	580/12153		Filter air assembly		1

2	:32/922100		Kit-end cover 300	1
2A	:580/12023		Clip Retaining	1
3	:32/920201		Valve dust	1
4	:32/915802		Element Air, Main	1
5	:32/915801		Element Air, Safety	1
6	:32/916000		Bracket air filter mounting	1
7	1315/0311Z		Setscrew	2
8	1412/0002Z		Washer (5/16")	2
9	826/01102		Nut M8	2
10	335/05607		Bracket mounting air filter	1
11	829/30933		Spacer L=94mm	1
12	1315/3322Z		Bolt hex.	1
13	1315/0307Z		Setscrew M8 X 25	2
14	1420/0007Z		Washer (M8)	3
15	1391/3408Z		Capscrew	1
16	1420/0008Z		Washer (M10)	1
17	834/10750		Hose air induction	1
18	162/02674		Sensor Adapter Vacuum	1
19	701/80458		Sensor Vacuum - 80Mbar	1
20	834/10781		Hose air induction	1
21	2201/0015		Clip Worm Drive 78-102mm	2
22	2201/0013		Clip Jubilee	1

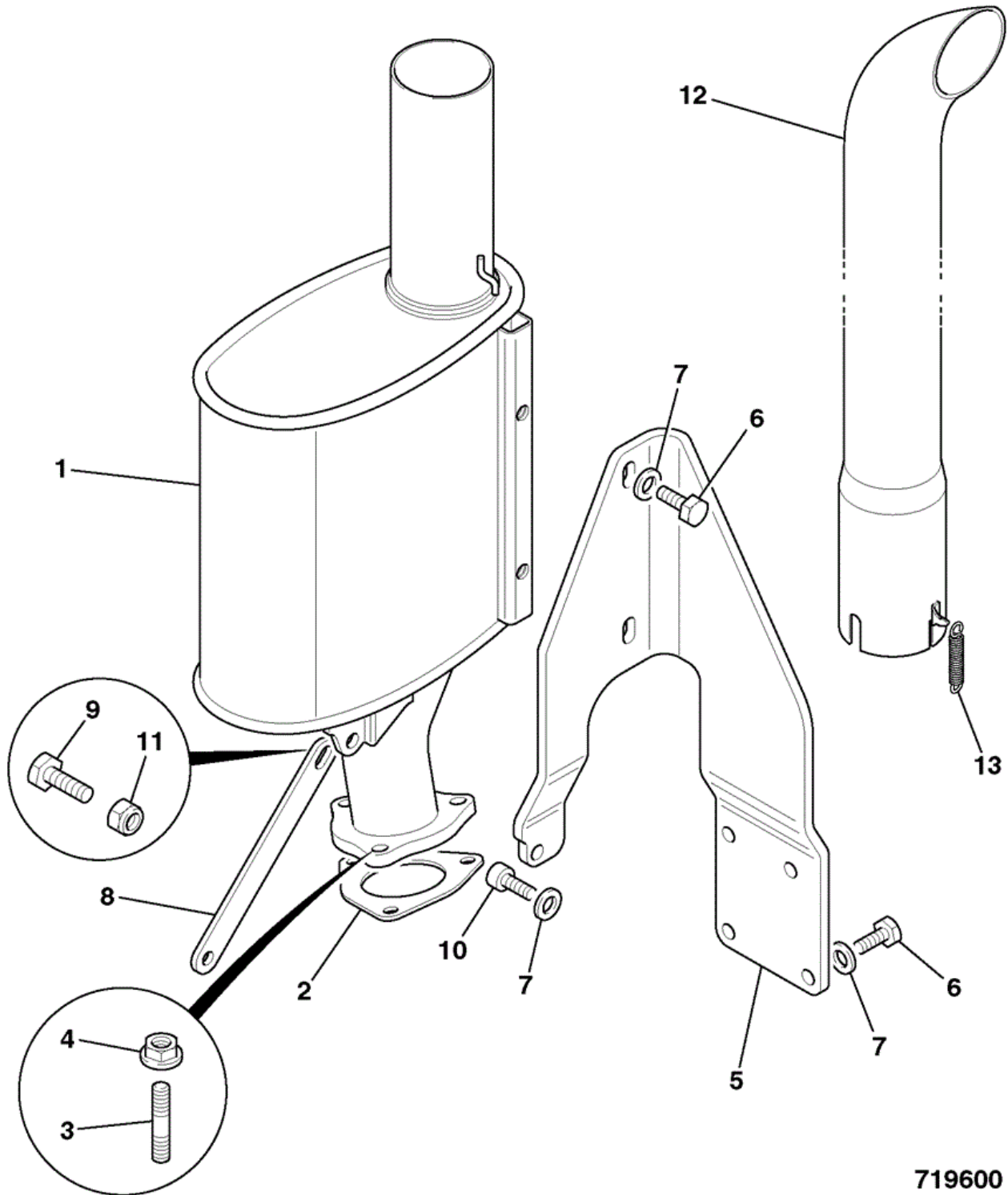
**JCB** 9802/9810 R3-4-1 SILENCER & EXTENSION NATURALLY  
 ASPIRATED



Item	Part #	Change No	Description	Usage Code	QTY
1	331/35697		Silencer exhaust nat/aspirated		1

2	813/00349		Gasket		1
3	02/291002		Stud		3
4	02/291135		Nut Manifold M10		3
5	335/05578		Bracket exhaust support		1
6	331/39916		Shield exhaust heat		1
7	1315/0407Z		Setscrew M10 x 25 mm		7
8	1420/0008Z		Washer (M10)		7
9	331/38960		Pipe exhaust extension		1
10	814/10177		Spring Extension		1

**JCB** 9802/9810 R3-4-2 SILENCER & EXTENSION  
 TURBOCHARGED 92/100BHP

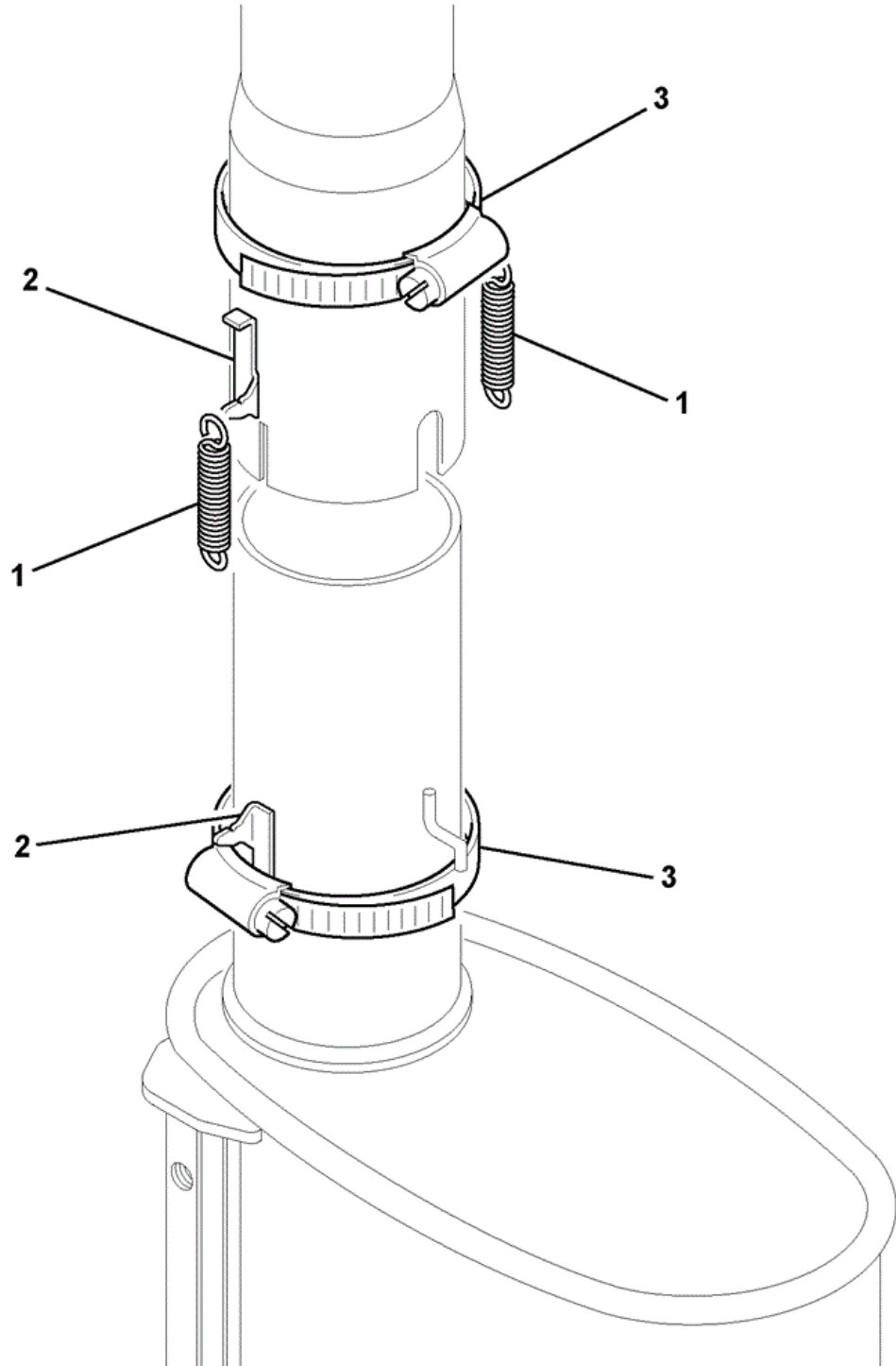


719600

Item	Part #	Change No	Description	Usage Code	QTY
1	331/35702		Silencer exhaust turbo		1

2	813/00349		Gasket	1
3	02/291002		Stud	3
4	02/291135		Nut Manifold M10	3
5	335/05578		Bracket exhaust support	1
6	1315/0407Z		Setscrew M10 x 25 mm	7
7	1420/0008Z		Washer (M10)	7
8	331/41214		Bracket exhaust steady	1
9	1315/0408Z		Setscrew M10 x 30	1
10	1391/3407Z		Capscrew socket head	1
11	1370/0303Z		Nut lock M10	1
12	331/38960		Pipe exhaust extension	1
13	814/10177		Spring Extension	1

**JCB** 9802/9810 R3-4-3 EXHAUST EXTENSION TWO SPRING  
FIXING SERVICE KIT



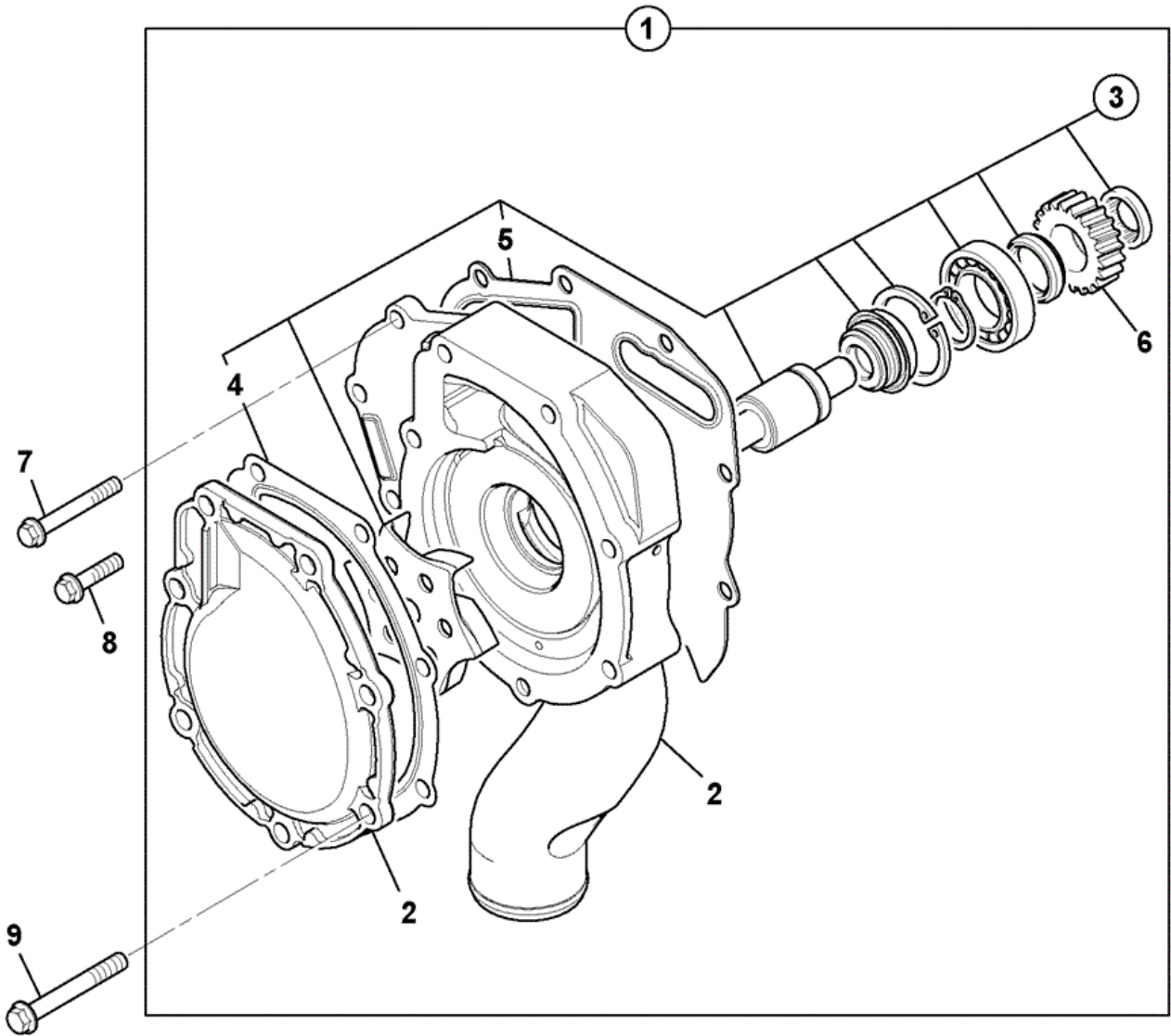
867490

Item	Part #	Change No	Description	Usage Code	QTY
1	814/10177		Spring Extension		1

2	331/58702		Mounting exhaust spring	2
3	2201/0014		Clip Worm Drive	2



**JCB** 9802/9810 R4-1-1 PUMP, WATER RE BUILD

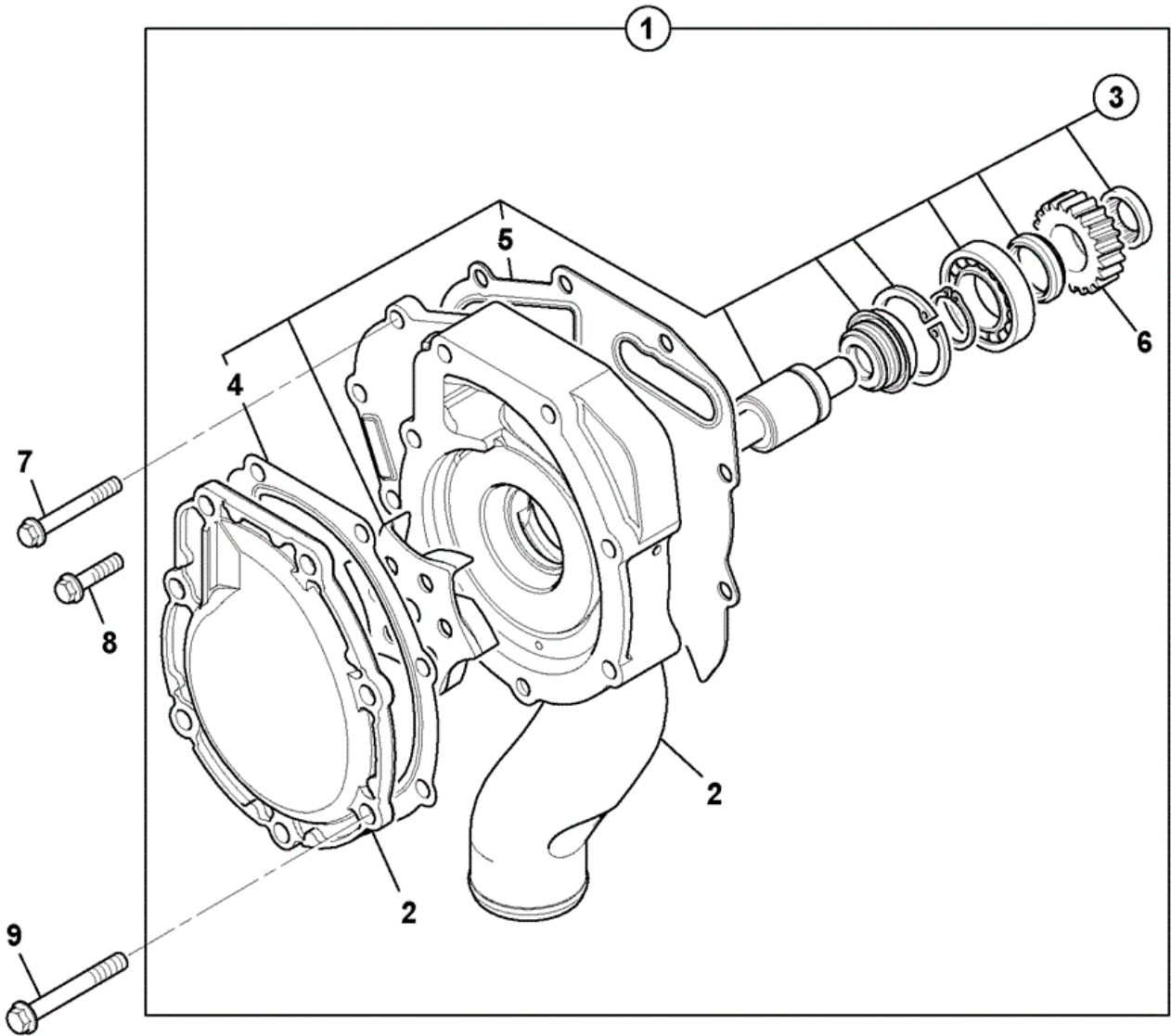


**425751**

Item	Part #	Change No	Description	Usage Code	QTY
1	02/202480		Pump water assembly		1
2	****		None serviced part		1

3	:02/202481		Kit-repair water pump		1
4	::02/203080		Gasket water pump cover		1
5	::02/202978		Gasket w/pump to t/case		1
6	:02/203061		Gear water pump		1
7	02/291107		Bolt		2
8	02/291018		Bolt		2
9	02/291025		Bolt (M8 x 65)		5

**JCB** 9802/9810 R4-1-2 PUMP, WATER RG BUILD

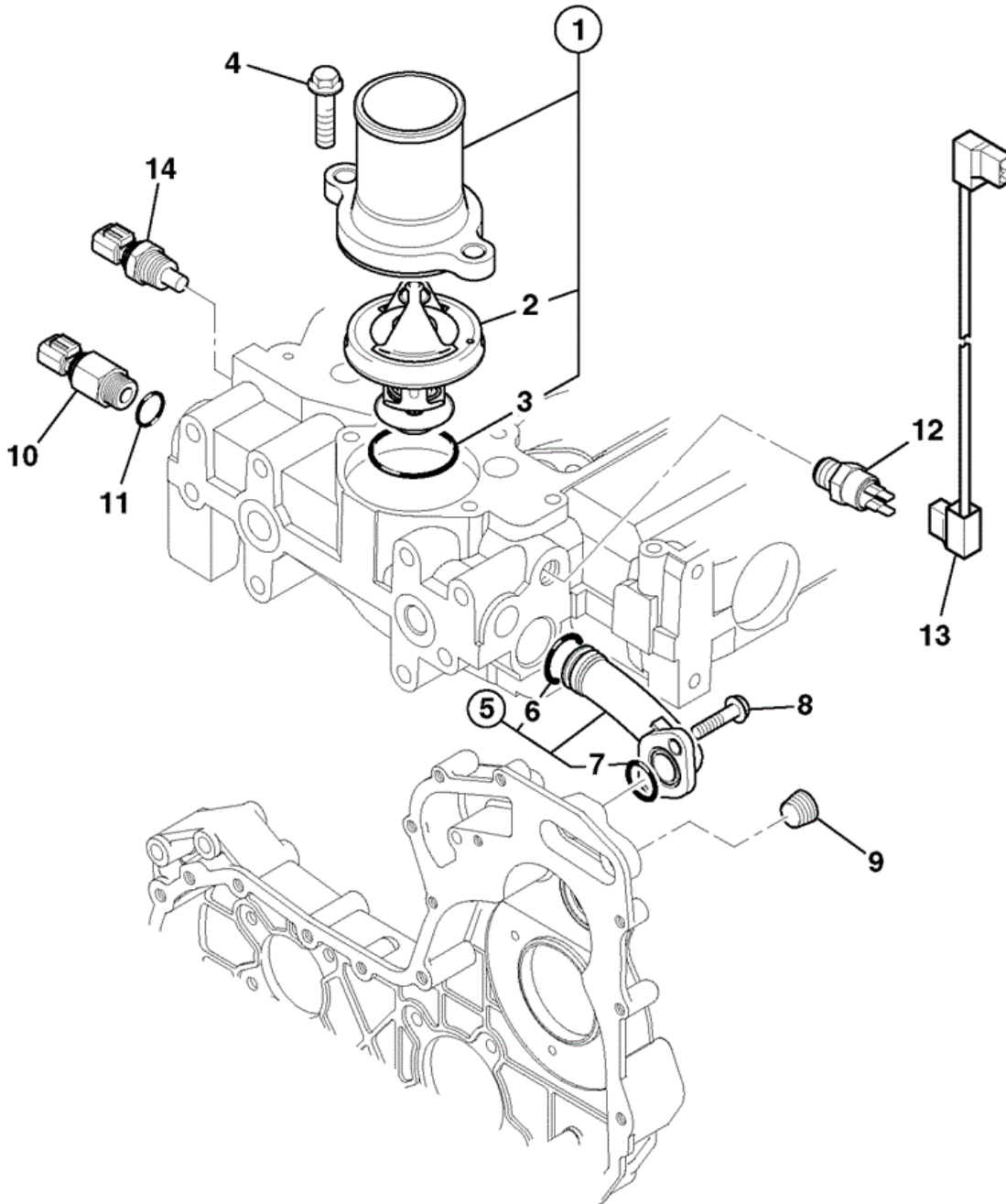


**425751**

Item	Part #	Change No	Description	Usage Code	QTY
1	02/202480		Pump water assembly		1
2	****		None serviced part		1

3	:02/202481		Kit-repair water pump		1
4	::02/203080		Gasket water pump cover		1
5	::02/202978		Gasket w/pump to t/case		1
6	:02/203061		Gear water pump		1
7	02/291107		Bolt		2
8	02/291018		Bolt		2
9	02/291025		Bolt (M8 x 65)		5

**JCB** 9802/9810 R4-2-1 THERMOSTAT, HOUSING INLET &  
 OUTLET RE BUILDS



719990

Item	Part #	Change No	Description	Usage Code	QTY
1	02/202474	<EU112312L	Connector water outlet assembly		1

1	02/203184	>EU112313L	Connector water outlet assembly vertical		1
2	02/202475	Superseded	Thermostat		1
2	N.L.A	<EU112312L	No longer available <i>Use assembly 02/203184</i>		1
2	****	>EU112313L	None serviced part <i>Use assembly 02/203184</i>		1
3	:02/202476		O Ring		1
4	02/291017		Screw		2
5	02/202980		Connector water inlet		1
6	:02/202981		O Ring		1
7	:02/202979		O Ring		1
8	826/00869		Screw flange head		2
9	02/100095		Plug taper		1
10	701/80389		Switch Water Temperature		1
11	02/202944		O Ring		1
12	716/30173		Sensor cold start		1
13	721/11546		Lead cold start sensor		1
14	716/30160		Sender water temperature		1

Thank you so much for reading.  
Please click the “Buy Now!”  
button below to download the  
complete manual.



After you pay.

You can download the most  
perfect and complete manual in  
the world immediately.

Our support email:

[ebooklibonline@outlook.com](mailto:ebooklibonline@outlook.com)