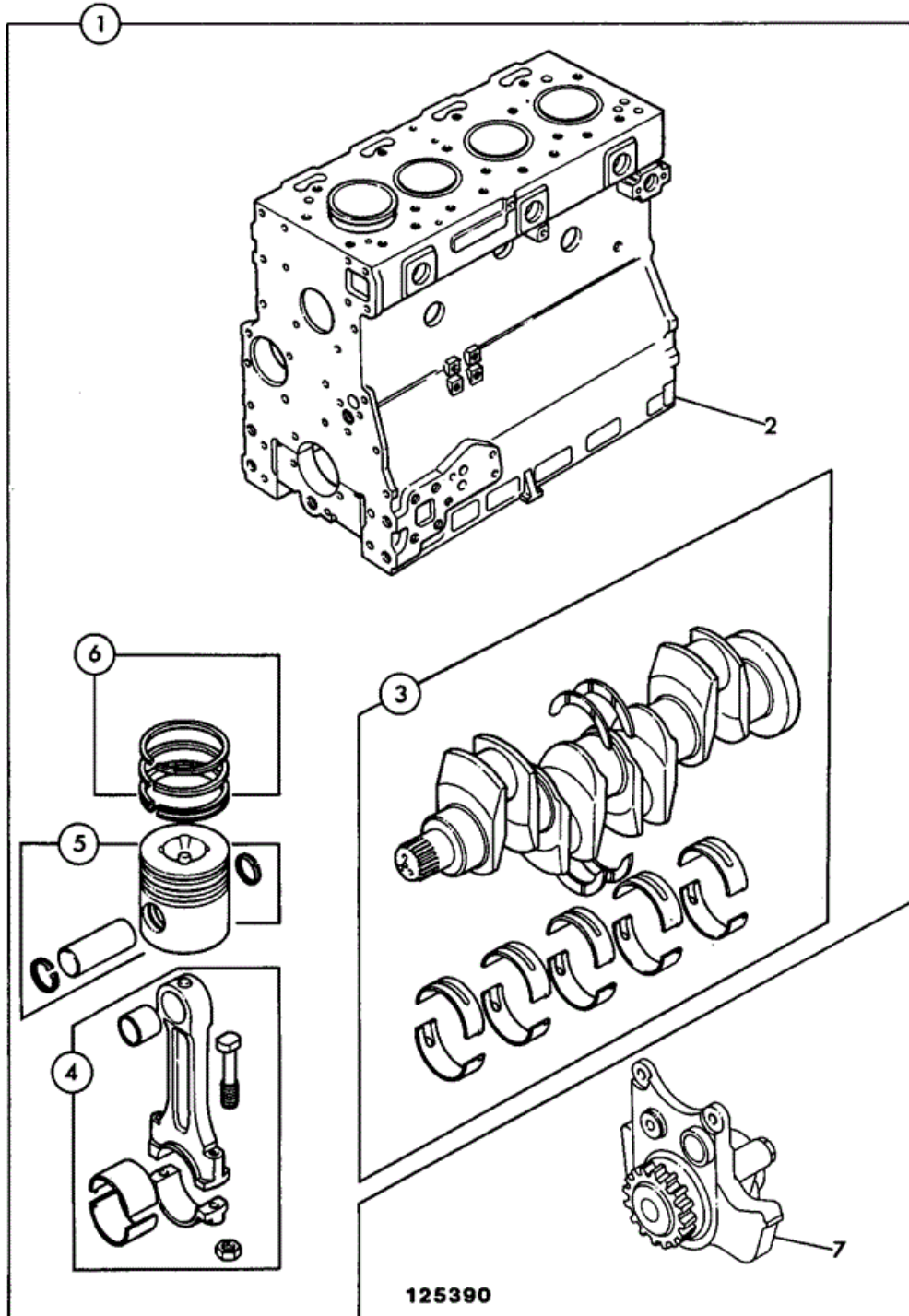




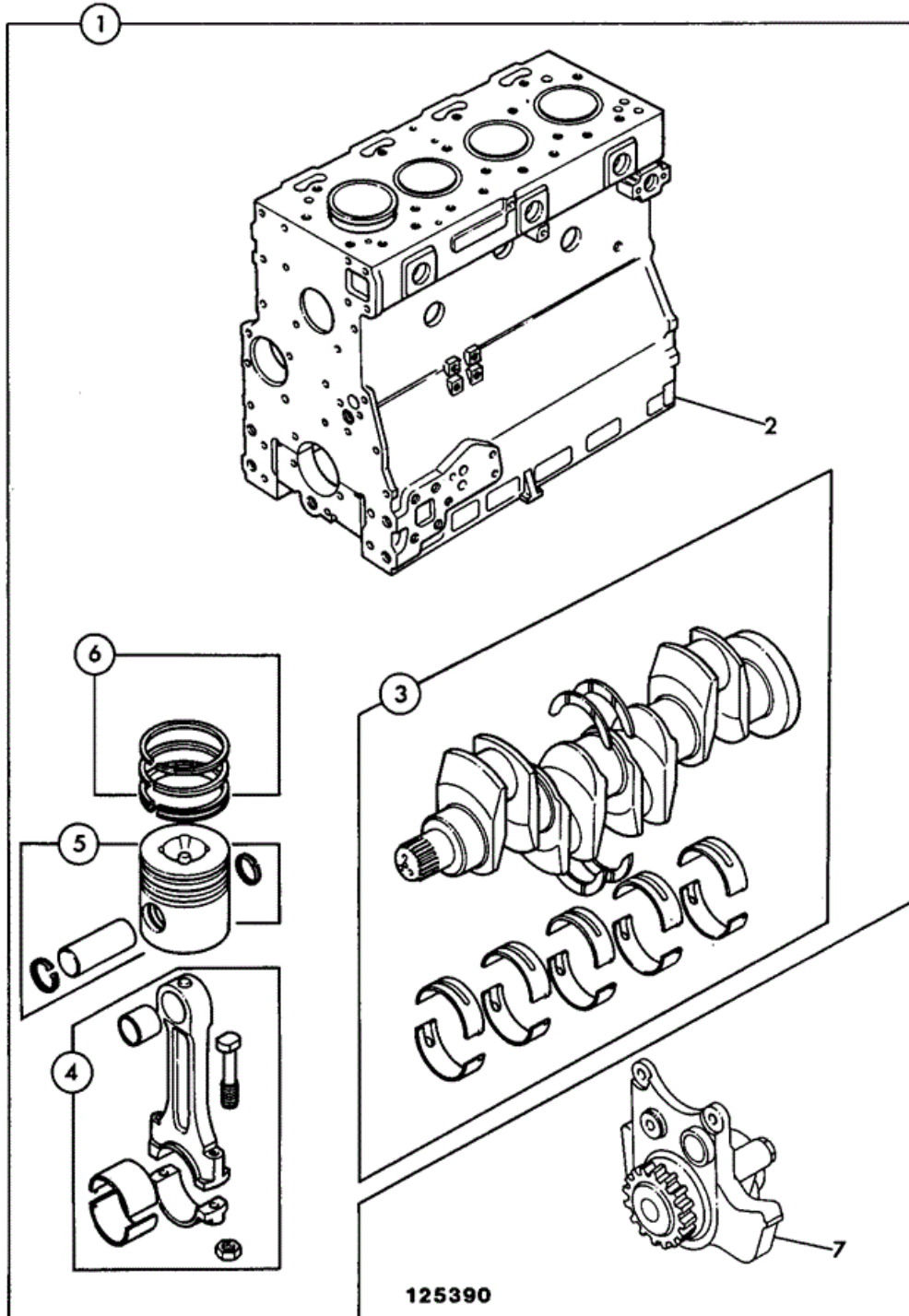
9802/9600 N1-2-2 ENGINE, SHORT AB BUILD



Item	Part #	Change No	Description	Usage Code	QTY
1	02/200441		Engine short, turbo		1
2	****		'See Remark' <i>See frame N1-3-2 - Block assembly</i>		1
3	****		'See Remark' <i>See frame N1-4-2 - Crankshaft assembly</i>		1
4	****		'See Remark' <i>See frame N1-4-2 - Con-rod assembly</i>		4
5	****		'See Remark' <i>See frame N1-4-2 - Piston assembly</i>		4
6	****		'See Remark' <i>See frame N1-4-2 - Piston ring kit</i>		4
7	****		'See Remark' <i>See frame N5-2-2 - Oil pump</i>		1



9802/9600 N1-2-4 ENGINE, SHORT AB BUILD

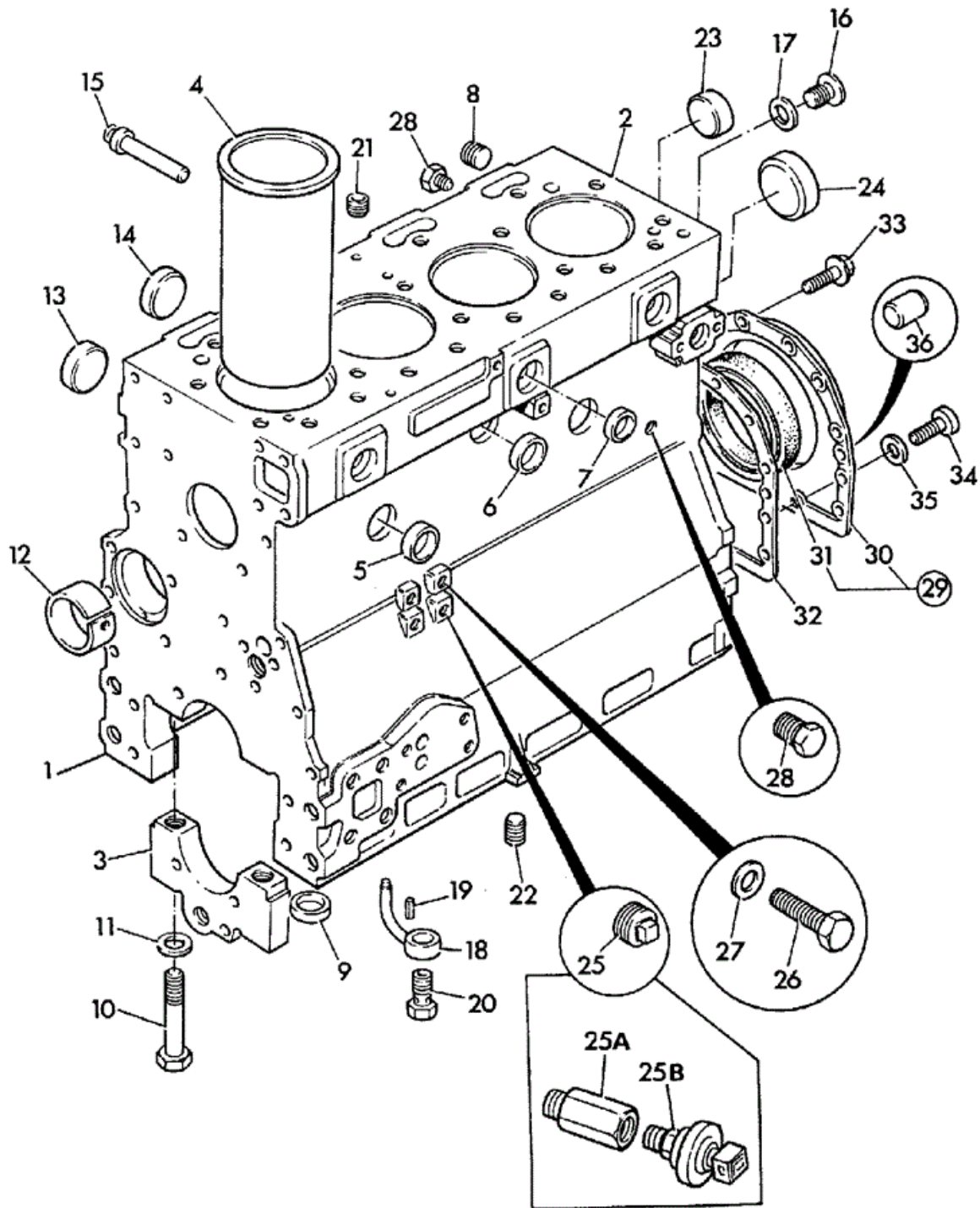


125390

Item	Part #	Change No	Description	Usage Code	QTY
1	02/200444		Engine short, 1004-4T		1
2	****		'See Remark' <i>See frame N1-3-2 - Block assembly</i>		1
3	****		'See Remark' <i>See frame N1-4-4 - Crankshaft assembly</i>		1
4	****		'See Remark' <i>See frame N1-4-4 - Con-rod assembly</i>		4
5	****		'See Remark' <i>See frame N1-4-4 - Piston assembly</i>		4
6	****		'See Remark' <i>See frame N1-4-4 - Piston ring kit</i>		4
7	****		'See Remark' <i>See frame N5-2-2 - Oil pump</i>		1



9802/9600 N1-3-2 BLOCK ASSEMBLY AB BUILD



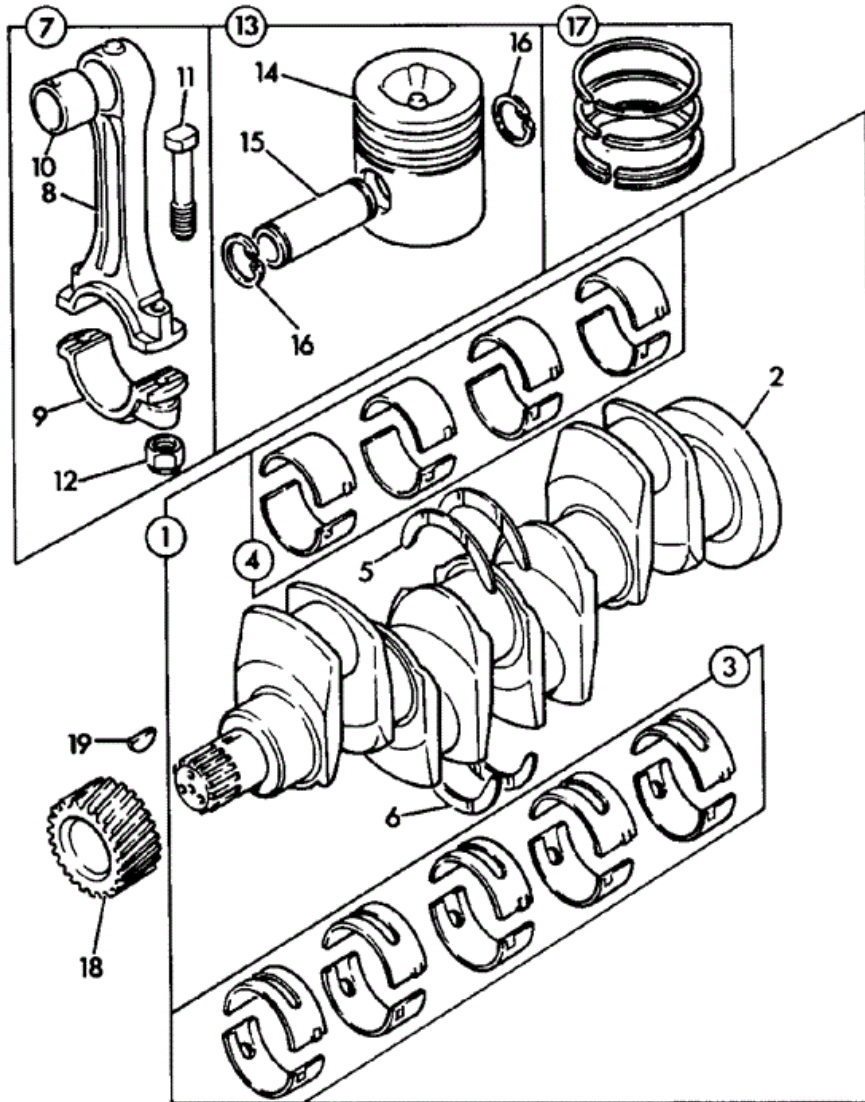
Item	Part #	Change No	Description	Usage Code	QTY
1	02/200470		Block cylinder assembly		1
2	****		None serviced part <i>Block</i>		1
3	****		None serviced part <i>Bearing Cap</i>		5
4	:02/200002		Liner cylinder, slip fit		4
5	:02/200003		Plug core" D=26mm		2
6	:02/100396		Plug core D=32mm		5
7	:02/100396		Plug core D=32mm		1
8	:02/100134		Plug		1
9	:02/100101		Thimble		10
10	:02/100102		Bolt		10
11	:02/100615		Washer		10
12	:02/192001		Bush camshaft		1
13	:02/200454		Plug core D=38mm		4
14	:02/200454		Plug core D=38mm		3
15	:02/101827		Plug		1
16	:02/100111		Plug		1
17	:823/00276		Washer		1
18	****		'See Remark' <i>See frame N5-3-1</i>		4
19	****		'See Remark' <i>See frame N5-3-1</i>		4
20	****		'See Remark' <i>See frame N5-3-1</i>		4
21	02/100108		Plug		1
22	****		'See Remark' <i>Not fitted or required</i>		1
23	02/200454		Plug core D=38mm		2
24	02/100107		Plug core D=50mm		1
25	826/00765	<M402380	Plug		1
25	826/00765	>M402785	Plug		1
25A	816/25010	>M402381	Adapter		1
25A	816/25010	<M402784	Adapter		1
25B	701/41500	>M402381	Switch oil pressure		1
25B	701/41500	<M402784	Switch oil pressure		1
25B	701/41500	>EU610051X	Switch oil pressure <i>90BHP Build</i>		1
26	1315/0401Z		Bolt M10 x 10		1
27	823/00273		Washer		1
28	02/100132		Plug drain <i>Water drain</i>		2
28	02/100335		Tap drain <i>Alternative</i>		0
29	02/200523	Superseded	Housing rear seal		1
29	M.S.S	<EU619893X	Multi Supersession <i>See Note 1</i>		1
29A	02/200958	>EU619894X	Housing rear seal		1
30	****		None serviced part <i>Cover</i>		1
31	:02/101436		Seal rear oil		1
32	02/100113	<EU619893X	Gasket rear seal housing		1
32A	02/201092	>EU619894X	Gasket rear seal housing		1

33	826/00869		Screw flange head	10
33A	826/00869	>EU619894X	Screw flange head	2
34	1391/3307Z		Capscrew M8x25mm	2
35	02/100307		Washer	2
36	02/100308		Dowel	2

Note 1: Part no longer available, use 29A with items 32A, 33A and 1 off bridge piece 02/201094.



9802/9600 N1-4-2 CRANKSHAFT, BEARINGS PISTONS & CON-RODS AB BUILD



095660

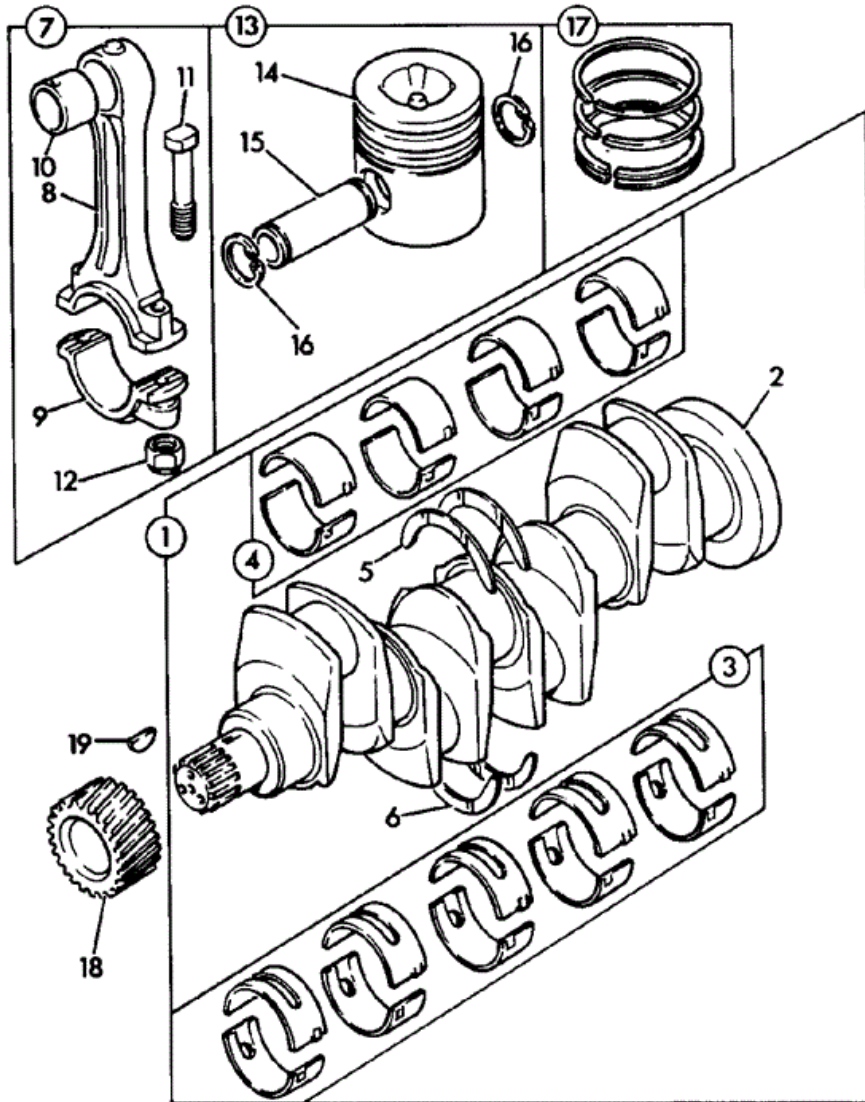
Item	Part #	Change No	Description	Usage Code	QTY
1	02/101927	Superseded	Crankshaft assembly		1
1	02/200915		Crankshaft assembly		1
2	****		None serviced part <i>Crankshaft</i>		1
3	:02/192002		Kit-bearing Main Standard		1
3	02/192003		Kit-bearing Main Undersize - .010inch		1

3	02/192004		Kit-bearing Main Undersize - .020inch	1
3	02/192005		Kit-bearing Main Undersize - .030inch	1
4	:02/192085		Kit-bearing 4 Pairs Standard	1
4	02/192086		Kit-bearing 4 Pairs Undersize - .010inch	1
4	02/192087		Kit-bearing 4 Pairs Undersize - 0.20inch	1
4	02/192088		Kit-bearing 4 Pairs Undersize - 0.30inch	1
5	:02/192083		Washer thrust top - standard	2
5	02/192011		Washer thrust top-oversize 0.19mm	2
6	:02/192084		Washer thrust bottom - standard	2
6	02/192013		Washer thrust btm-oversize 0.19mm	2
7	02/101632		Rod assembly connecting	4
8	****		None serviced part <i>Con-rod</i>	1
9	****		None serviced part <i>Cap</i>	1
10	:02/192019		Bush small end	1
11	:02/291072		Bolt	2
12	:02/100128		Nut	2
13	02/200007	Superseded	Piston assembly	4
13	02/200425	Superseded	Piston assembly	4
13	02/200782	<EU587746W	Piston assembly	4
13	02/200825	Superseded	Piston assembly	4
13	02/200782	>EU587747W	Piston assembly	4
13A	02/200860		Piston assembly <i>See Note 1</i>	4
14	****		None serviced part <i>Piston</i>	1
15	****		None serviced part <i>Gudgeon pin</i>	1
16	:02/100129		Circlip	2
17	02/200020		Kit-piston ring	4
17A	02/200859		Kit-piston ring <i>See Note 1 Used only with item 13A.</i>	4
18	02/290001		Gear	1
19	02/100038		Key	1

Note 1: Fitted ONLY to engine serial numbers U606346W to U606355W inclusive.



9802/9600 N1-4-4 CRANKSHAFT, BEARINGS PISTONS & CON-RODS AB BUILD



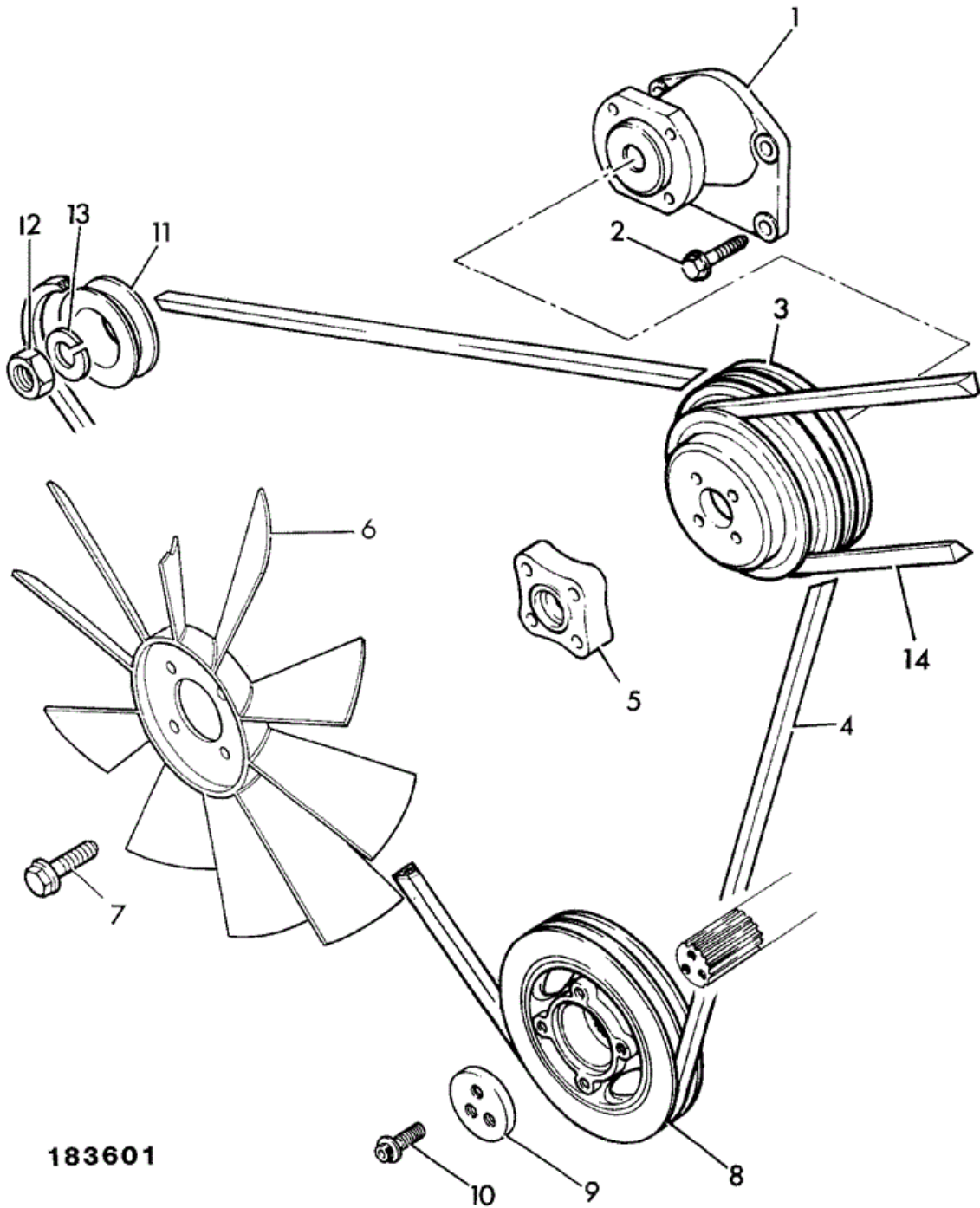
095660

Item	Part #	Change No	Description	Usage Code	QTY
1	02/200915		Crankshaft assembly		1
2	****		None serviced part <i>Crankshaft</i>		1
3	:02/192002		Kit-bearing Main Standard		1
3	02/192003		Kit-bearing Main Undersize - .010inch		1
3	02/192004		Kit-bearing Main Undersize - .020inch		1

3	02/192005		Kit-bearing Main Undersize - .030inch	1
4	:02/192085		Kit-bearing 4 Pairs Standard	1
4	02/192086		Kit-bearing 4 Pairs Undersize - .010inch	1
4	02/192087		Kit-bearing 4 Pairs Undersize - 0.20inch	1
4	02/192088		Kit-bearing 4 Pairs Undersize - 0.30inch	1
5	:02/192083		Washer thrust top - standard	2
5	02/192011		Washer thrust top-oversize 0.19mm	2
6	:02/192084		Washer thrust bottom - standard	2
6	02/192013		Washer thrust btm-oversize 0.19mm	2
7	02/101632		Rod assembly connecting	4
8	****		None serviced part <i>Con-rod</i>	1
9	****		None serviced part <i>Cap</i>	1
10	:02/192019		Bush small end	1
11	:02/291072		Bolt	2
12	:02/100128		Nut	2
13	02/200860		Piston assembly	4
14	****		None serviced part <i>Piston</i>	1
15	****		None serviced part <i>Gudgeon pin</i>	1
16	:02/100129		Circlip	2
17	02/200859		Kit-piston ring	4
18	02/290001		Gear	1
19	02/100038		Key	1



9802/9600 N1-5-4 FANS, PULLEYS & FAN BELT, OPTIONAL AIR CONDITIONING, STANDARD AA & AB BUILD



183601

Item	Part #	Change No	Description	Usage Code	QTY
1	02/200478		Housing fan drive		1
2	02/291037		Bolt		4
3	123/03597		Pulley fan drive triple groove		1
4	01/117901		Belt fan, pair		1
5	02/100957		Spacer fan 25.4mm		1

6	262/36800		Fan cooling, 20" puller	1
7	02/291104		Screw	4
8	02/200018		Pulley crankshaft twin groove	1
9	02/200017		Block Thrust	1
10	02/100579		Screw	3
11	02/200894		Pulley alternator twin groove	1
12	714/22505		Nut	1
13	714/22506		Washer bellville	1
14	01/117904	Superseded	Belt drive <i>Compressor, air conditioning</i>	1
14	01/117905		Belt drive	1



**9802/9600 N1-5-5 FANS, PULLEYS & FAN BELTS,OPTIONAL
AIR CONDITIONING,H/CLIMATE AA & AB BUILD**

Thank you so much for reading.
Please click the “Buy Now!”
button below to download the
complete manual.



After you pay.

You can download the most
perfect and complete manual in
the world immediately.

Our support email:

ebooklibonline@outlook.com