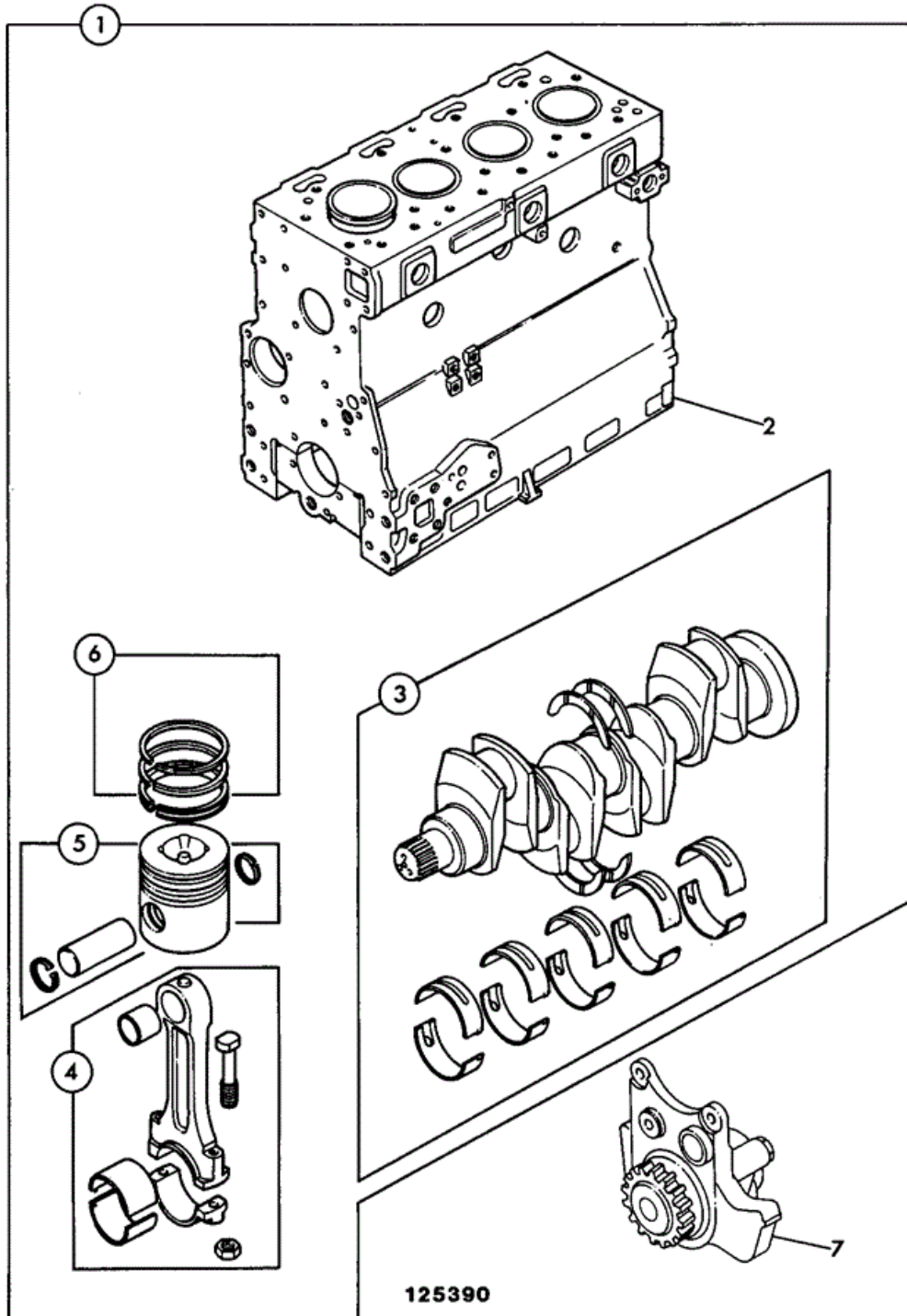




9802/9700 N1-2-4 ENGINE, SHORT AB BUILD



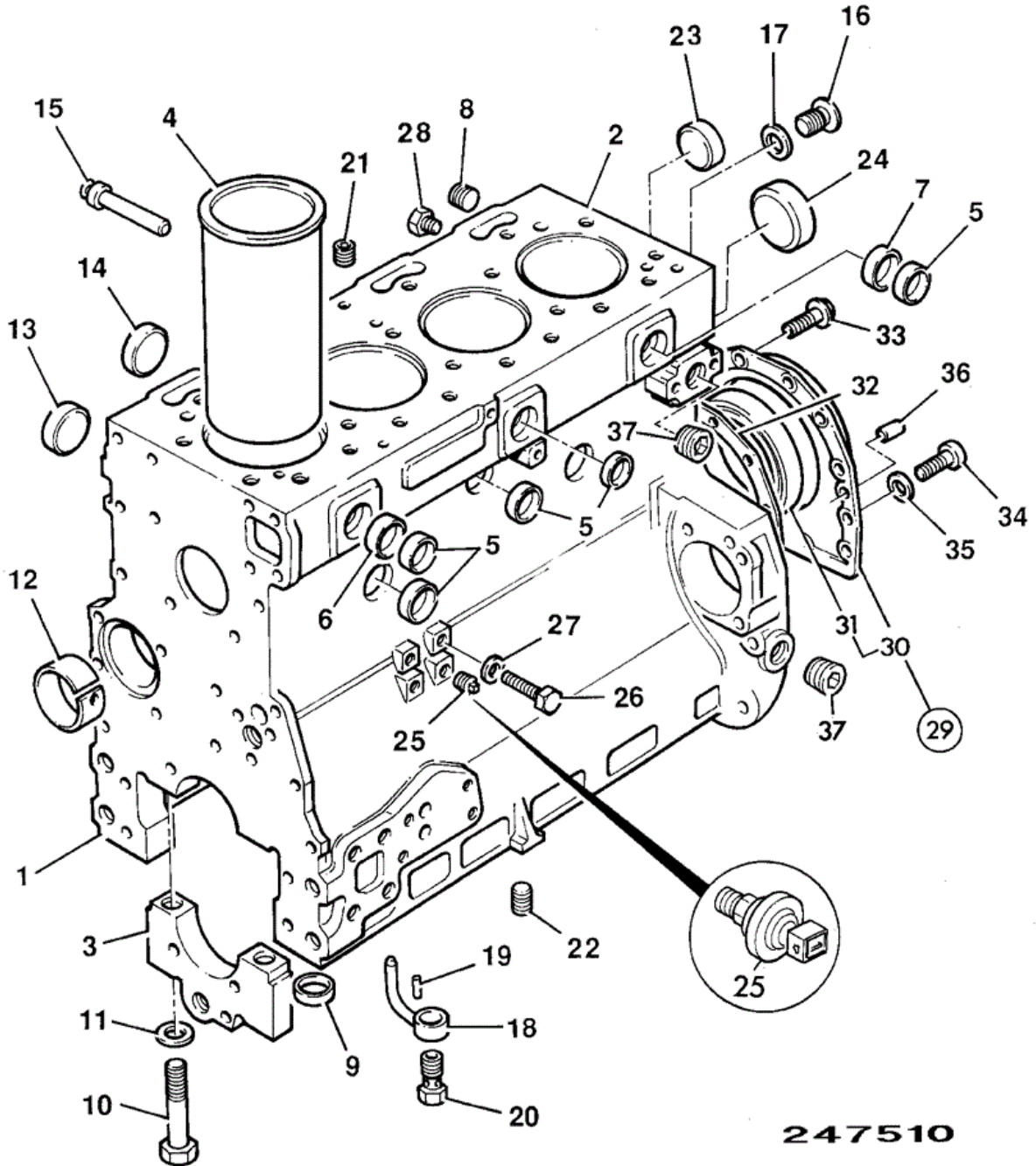
125390

Item	Part #	Change No	Description	Usage Code	QTY
1	02/200444	Superseded	Engine short, 1004-4T		1
1	02/200446		Engine short, 1004-4T turbocharged		1
2	****		'See Remark' <i>See frame N1-3-2, Block assembly</i>		1
3	****		'See Remark' <i>See frame N1-4-4, Crankshaft assembly</i>		1
4	****		'See Remark' <i>See frame N1-4-4, Con-rod assembly</i>		4
5	****		'See Remark' <i>See frame N1-4-4, Piston assembly</i>		4
6	****		'See Remark' <i>See frame N1-4-4, Piston ring kit</i>		4
7	****		'See Remark' <i>See frame N5-2-2, Oil pump</i> <i>See Note 1</i>		1

Note 1: Not included with item 1.



9802/9700 N1-3-2 BLOCK ASSEMBLY AB BUILD

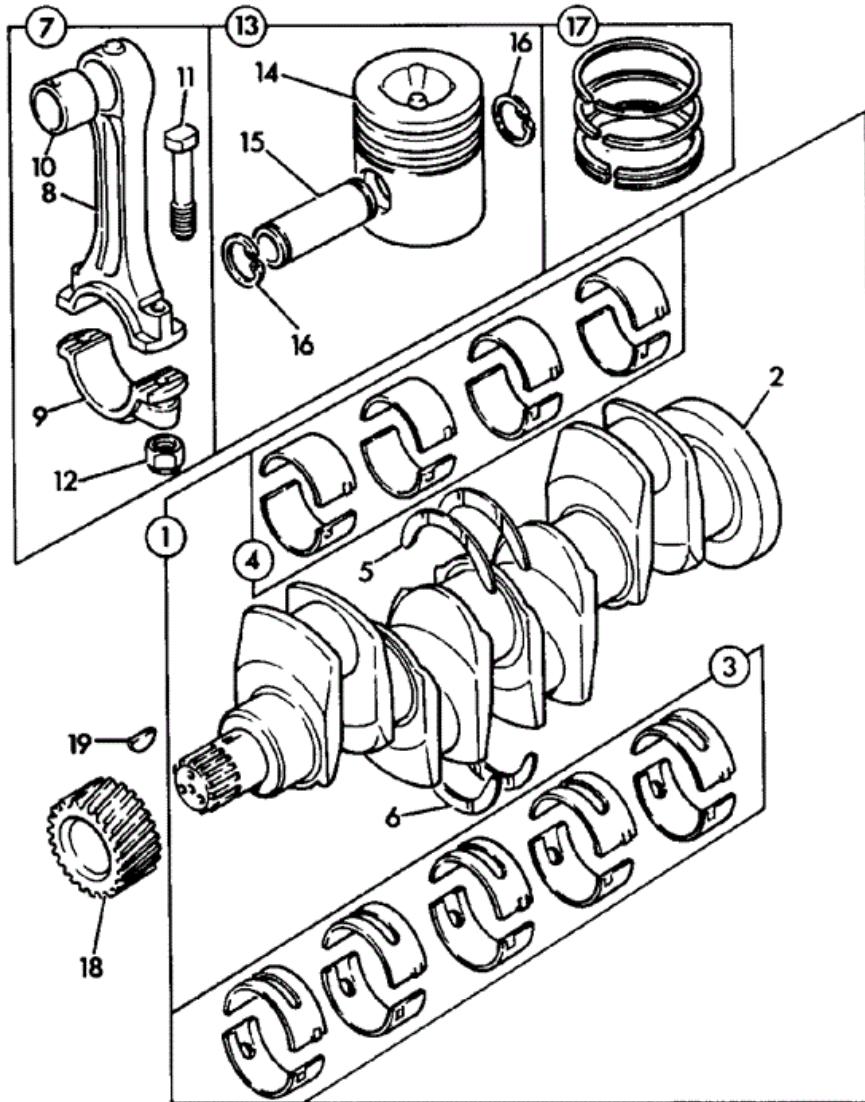


247510

Item	Part #	Change No	Description	Usage Code	QTY
1	02/200470	Superseded	Block cylinder assembly		1
1	02/201300		Block assembly, cylinder		1
			None serviced part		

2	****		<i>Block</i>	1
3	****		None serviced part <i>Bearing Cap</i>	5
4	:02/200949		Liner cylinder, press fit	4
4	02/200002		Liner cylinder, slip fit	0
5	:02/100396		Plug core D=32mm	6
6	:02/201304		Plug	1
7	:02/200003		Plug core" D=26mm	1
8	:02/100134		Plug	1
9	:02/100101		Thimble	10
10	:02/100102		Bolt	10
11	:02/100615		Washer	10
12	:02/192001		Bush camshaft	1
13	:02/200454		Plug core D=38mm	4
14	:02/200454		Plug core D=38mm	2
15	:02/101827		Plug	1
16	:02/100111		Plug	1
17	:02/200828		Washer	1
18	****		'See Remark' <i>See frame N5-3-1</i>	4
19	****		'See Remark' <i>See frame N5-3-1</i>	4
20	****		'See Remark' <i>See frame N5-3-1</i>	4
21	02/100108		Plug	1
22	02/100582		Plug core D=16mm	1
23	02/200454		Plug core D=38mm	2
24	02/100107		Plug core D=50mm	1
25	701/41500		Switch oil pressure <i>AB50509, AB50513 Builds</i>	1
25	826/00765		Plug <i>AB50510,AB50585 Builds</i>	1
26	1315/0401Z		Bolt M10 x 10	1
27	823/00273		Washer	1
28	02/100132		Plug drain <i>Water drain</i>	2
28	02/100335		Tap drain <i>Alternative</i>	0
29	02/200958		Housing rear seal	1
30	****		None serviced part <i>Cover</i>	1
31	:02/101436		Seal rear oil	1
32	02/200959		Gasket rear seal housing	1
33	826/00869		Screw flange head	12
34	1391/3307Z		Capscrew M8x25mm	2
35	02/100307		Washer	2
36	02/100308		Dowel	2
37	02/100134		Plug	1


 **9802/9700 N1-4-4 CRANKSHAFT, BEARINGS PISTONS &
CON-RODS AB BUILD**

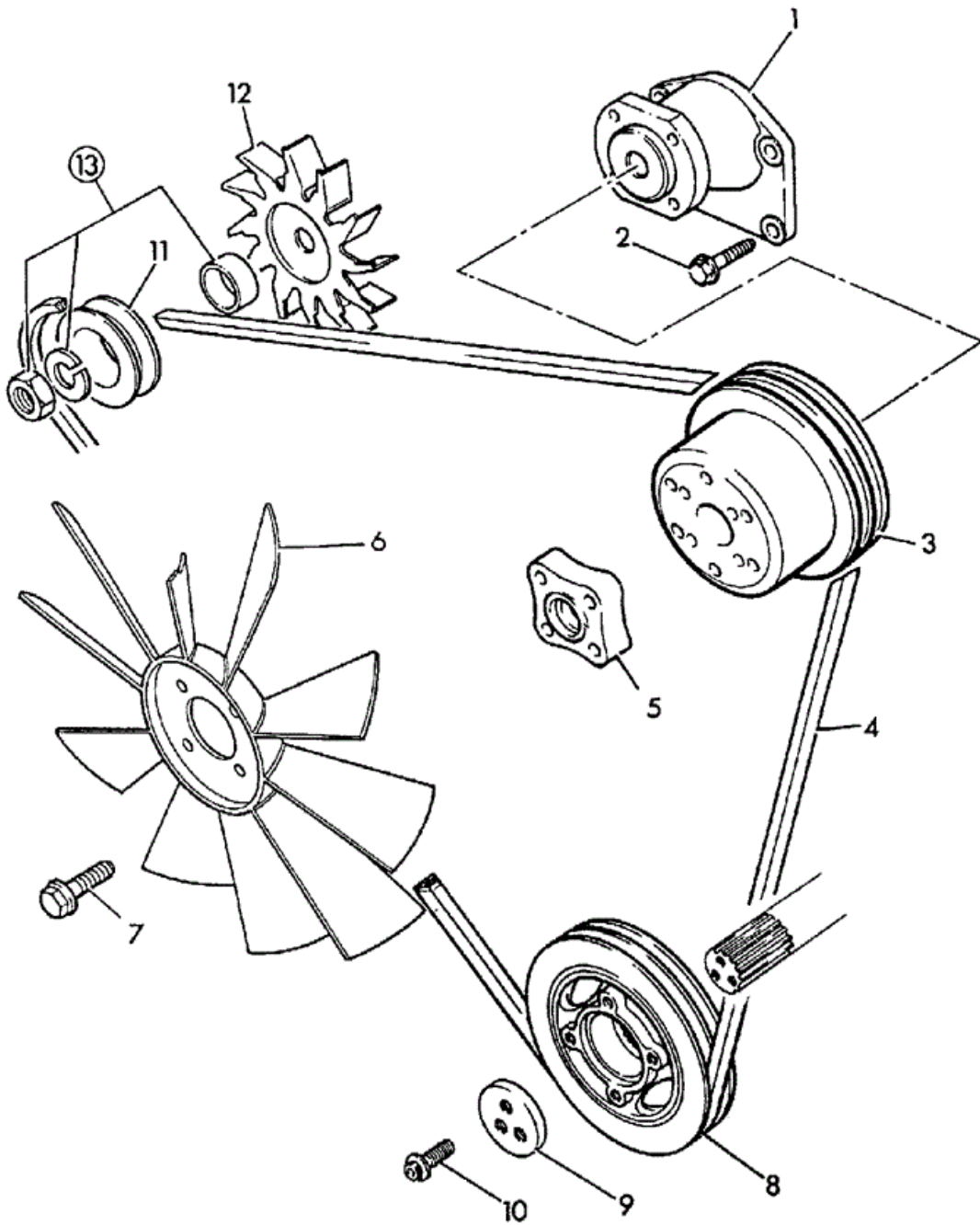


095660

Item	Part #	Change No	Description	Usage Code	QTY
1	02/200915		Crankshaft assembly		1
2	****		None serviced part <i>Crankshaft</i>		1
3	:02/192002		Kit-bearing Main Standard		1
3	02/192003		Kit-bearing Main Undersize - .010inch		1
3	02/192004		Kit-bearing Main Undersize - .020inch		1

3	02/192005		Kit-bearing Main Undersize - .030inch	1
4	:02/192085		Kit-bearing 4 Pairs Standard	1
4	02/192086		Kit-bearing 4 Pairs Undersize - .010inch	1
4	02/192087		Kit-bearing 4 Pairs Undersize - 0.20inch	1
4	02/192088		Kit-bearing 4 Pairs Undersize - 0.30inch	1
5	:02/192083		Washer thrust top - standard	2
5	02/192011		Washer thrust top-oversize 0.19mm	2
6	:02/192084		Washer thrust bottom - standard	2
6	02/192013		Washer thrust btm-oversize 0.19mm	2
7	02/101632		Rod assembly connecting	4
8	****		None serviced part <i>Con-rod</i>	1
9	****		None serviced part <i>Cap</i>	1
10	:02/192019		Bush small end	1
11	:02/291072		Bolt	2
12	:02/100128		Nut	2
13	02/200860		Piston assembly	4
14	****		None serviced part <i>Piston</i>	1
15	****		None serviced part <i>Gudgeon pin</i>	1
16	:02/100129		Circlip	2
17	02/201140		Kit-piston ring	4
18	02/290001		Gear	1
19	02/100038		Key	1


 **9802/9700 N1-5-7 FANS, PULLEYS & FAN BELT AA & AB
BUILDS**

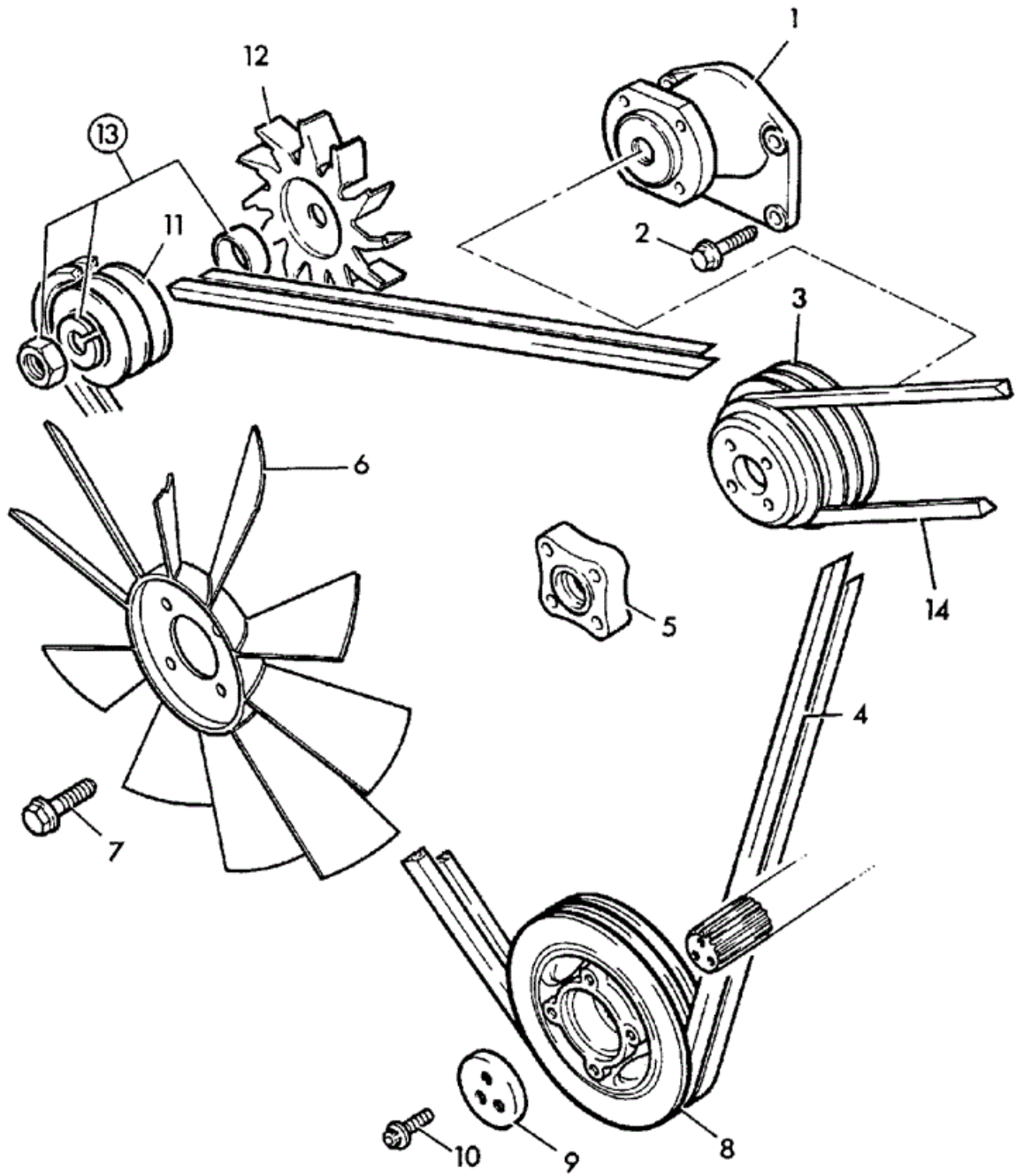


151073

Item	Part #	Change No	Description	Usage Code	QTY
1	02/200478		Housing fan drive		1
2	02/291037		Bolt		4
3	02/200224		Pulley fan drive		1
4	01/124403		Belt fan, single		1
5	02/100957		Spacer fan 25.4mm		1

6	262/36800		Fan cooling, 20" puller		1
7	02/291104		Screw		4
8	02/200018		Pulley crankshaft twin groove		1
9	02/200017		Block Thrust		1
10	02/100579		Screw		3
11	01/124401		Pulley alternator D=70mm single groove		1
12	02/200452		Fan alternator		1
13	714/10810		Kit-sundry parts		1


 9802/9700 N1-5-8 FANS, PULLEYS & FAN BELT AIR
CONDITIONING, AA & AB BUILDS

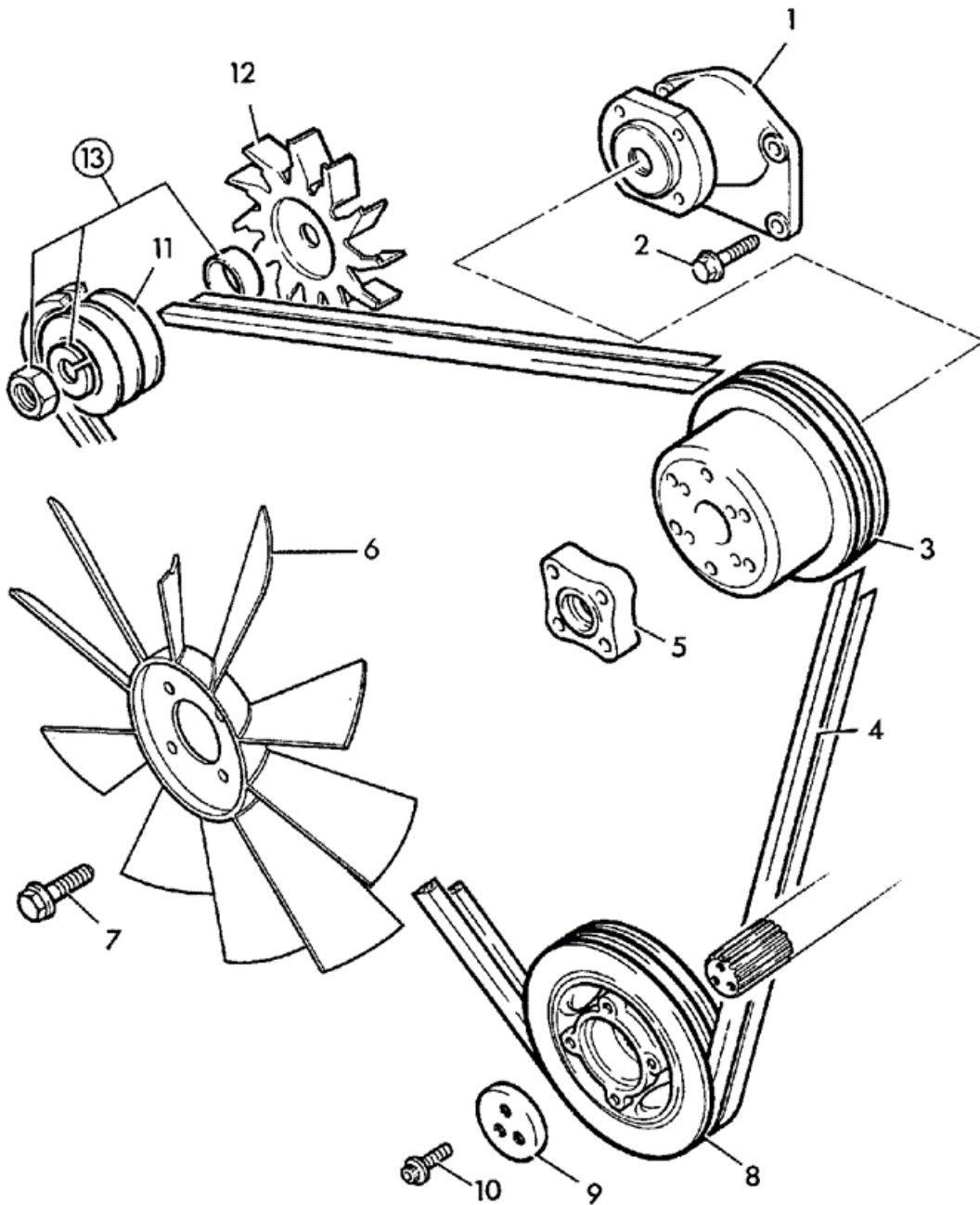


183620

Item	Part #	Change No	Description	Usage Code	QTY
1	02/200478		Housing fan drive		1
2	02/291037		Bolt		4
3	123/04704		Pulley fan drive		1
4	123/04728		Belt fan		1
5	02/100957		Spacer fan 25.4mm		1

6	123/04202		Fan cooling, 21" puller		1
7	02/291104		Screw		4
8	02/200018		Pulley crankshaft twin groove		1
9	02/200017		Block Thrust		1
10	02/100579		Screw		3
11	123/04736		Pulley alternator D=70mm twin groove		1
12	02/200452		Fan alternator		1
13	714/10810		Kit-sundry parts		1
14	01/117903		Belt drive <i>Compressor, air conditioning</i>		1


 9802/9700 N1-5-9 FANS, PULLEYS & FAN BELT HOT
CLIMATE, AA & AB BUILD

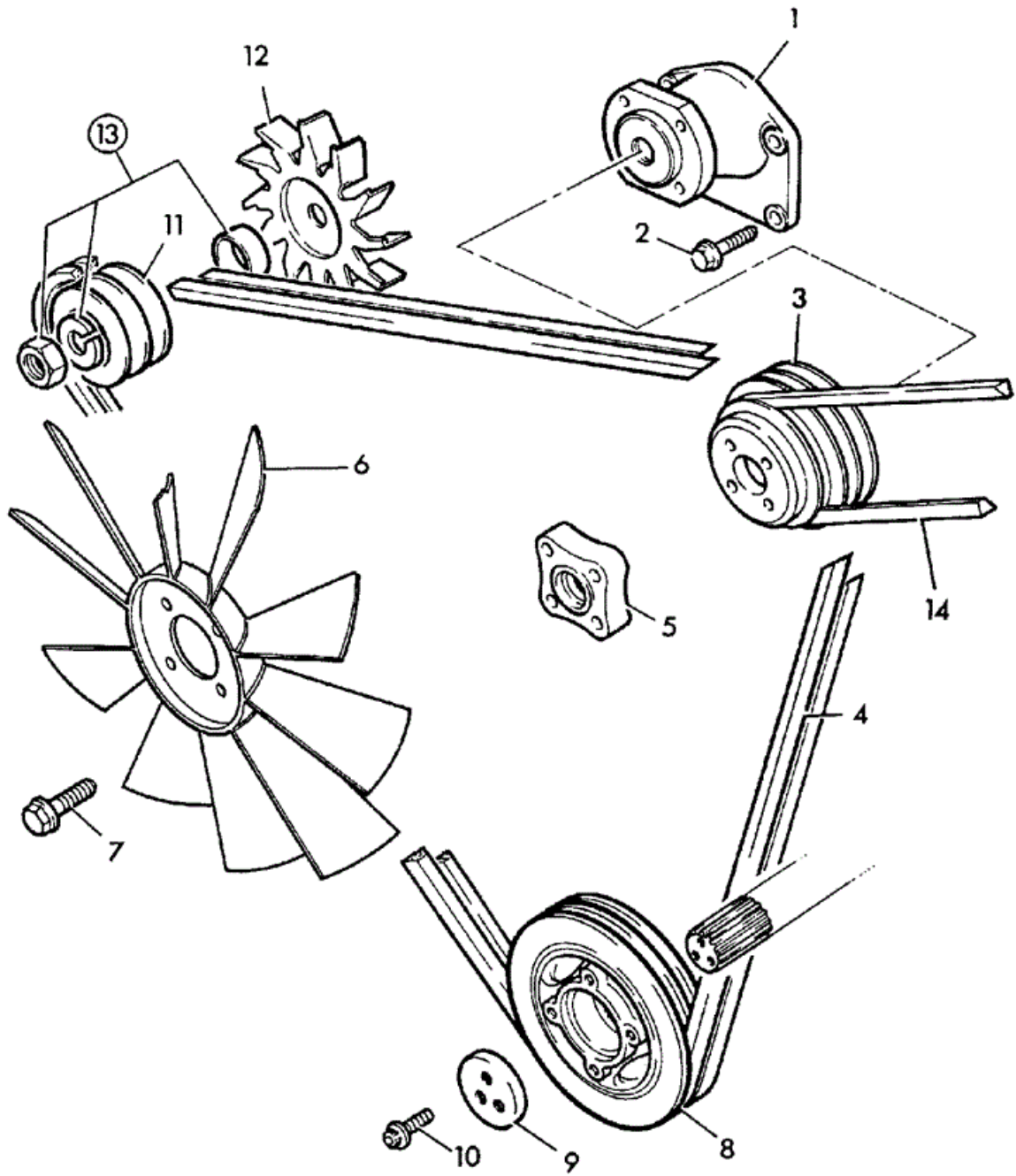


163391

Item	Part #	Change No	Description	Usage Code	QTY
1	02/200478		Housing fan drive		1
2	02/291037		Bolt		4
3	02/200373		Pulley fan drive		1
4	01/124405		Belt fan, pair		1
5	02/100957		Spacer fan 25.4mm		1

6	262/36800		Fan cooling, 20" puller		1
7	02/291104		Screw		4
8	02/200018		Pulley crankshaft twin groove		1
9	02/200017		Block Thrust		4
10	02/100579		Screw		3
11	123/04736		Pulley alternator D=70mm twin groove		1
12	02/200452		Fan alternator		1
13	714/10810		Kit-sundry parts		1

 **9802/9700 N1-5-10 FANS, PULLEYS & FAN BELT AIR
CONDITIONING, HOT CLIMATE AA & AB**



183620

Item	Part #	Change No	Description	Usage Code	QTY
1	02/200478		Housing fan drive		1
2	02/291037		Bolt		4
3	123/03593		Pulley fan drive triple groove		1
4	01/124405		Belt fan, pair		1
5	02/100957		Spacer fan 25.4mm		1

Thank you so much for reading.
Please click the “Buy Now!”
button below to download the
complete manual.



After you pay.

You can download the most
perfect and complete manual in
the world immediately.

Our support email:

ebooklibonline@outlook.com